



US00D559810S

(12) **United States Design Patent**
Kim et al.

(10) **Patent No.: US D559,810 S**

(45) **Date of Patent: ** *Jan. 15, 2008**

(54) **PORTABLE PHONE**

(75) Inventors: **Jin-Soo Kim**, Yongin-si (KR); **Nam-Mi Kim**, Seoul (KR); **Chang-Hwan Hwang**, Goyang-Si (KR)

(73) Assignee: **Samsung Electronics Co., Ltd.**, Suwon-Si (KR)

(*) Notice: This patent is subject to a terminal disclaimer.

(**) Term: **14 Years**

(21) Appl. No.: **29/245,049**

(22) Filed: **Dec. 19, 2005**

(30) **Foreign Application Priority Data**

Jul. 1, 2005 (KR) 30-2005-0022115

(51) **LOC (8) Cl.** **14-03**

(52) **U.S. Cl.** **D14/138**

(58) **Field of Classification Search** D14/138,
D14/341-347, 147-148, 496; 379/433.01-433.13;
455/575.3, 575.4, 566, 575.1, 556.1, 556.2,
455/90.3

See application file for complete search history.

(56) **References Cited**

U.S. PATENT DOCUMENTS

D502,458 S *	3/2005	Chung et al.	D14/138
D505,125 S *	5/2005	Ahn et al.	D14/138
D505,126 S *	5/2005	Ahn et al.	D14/138
D506,738 S *	6/2005	Kim et al.	D14/138
D506,739 S *	6/2005	Shin et al.	D14/138
D508,030 S *	8/2005	Jeoung et al.	D14/138
D508,239 S *	8/2005	Kim et al.	D14/138
D510,078 S *	9/2005	Lee et al.	D14/138
D511,335 S *	11/2005	Jeoung et al.	D14/138
D515,061 S *	2/2006	Kim et al.	D14/138
D518,014 S *	3/2006	Cho	D14/138
D518,015 S *	3/2006	Cho	D14/138

D518,466 S *	4/2006	Kim et al.	D14/138
D518,809 S *	4/2006	Cho	D14/138
D519,483 S *	4/2006	Cho et al.	D14/138

(Continued)

OTHER PUBLICATIONS

LG C2100 telephone, announced 1st quarter 2005, [online], [retrieved on Mar. 30, 2007]. Retrieved from Internet, <URL: <http://www.gsmarena.com>>.*

Samsung X800 telephone, announced 1st quarter 2005, [online], [retrieved on Mar. 30, 2007]. Retrieved from Internet, <URL: <http://www.gsmarena.com>>.*

Samsung E360 telephone, announced 4th quarter 2005, [online], [retrieved on Mar. 30, 2007]. Retrieved from Internet, <URL: <http://www.gsmarena.com>>.*

Samsung Z330 telephone, announced Feb. 2006, [online], [retrieved on Mar. 30, 2007]. Retrieved from Internet, <URL: <http://www.gsmarena.com>>.*

Samsung E620 telephone, announced 1st quarter 2005, [online], [retrieved on Mar. 30, 2007]. Retrieved from Internet, <URL: <http://www.gsmarena.com>>.*

Primary Examiner—Jeffrey Asch

(74) *Attorney, Agent, or Firm*—Staas & Halsey LLP

(57) **CLAIM**

The ornamental design for the portable phone, as shown and described.

DESCRIPTION

FIG. 1 is a perspective view of the portable phone showing our design;

FIG. 2 is a front view thereof;

FIG. 3 is a rear view thereof;

FIG. 4 is a left side view thereof;

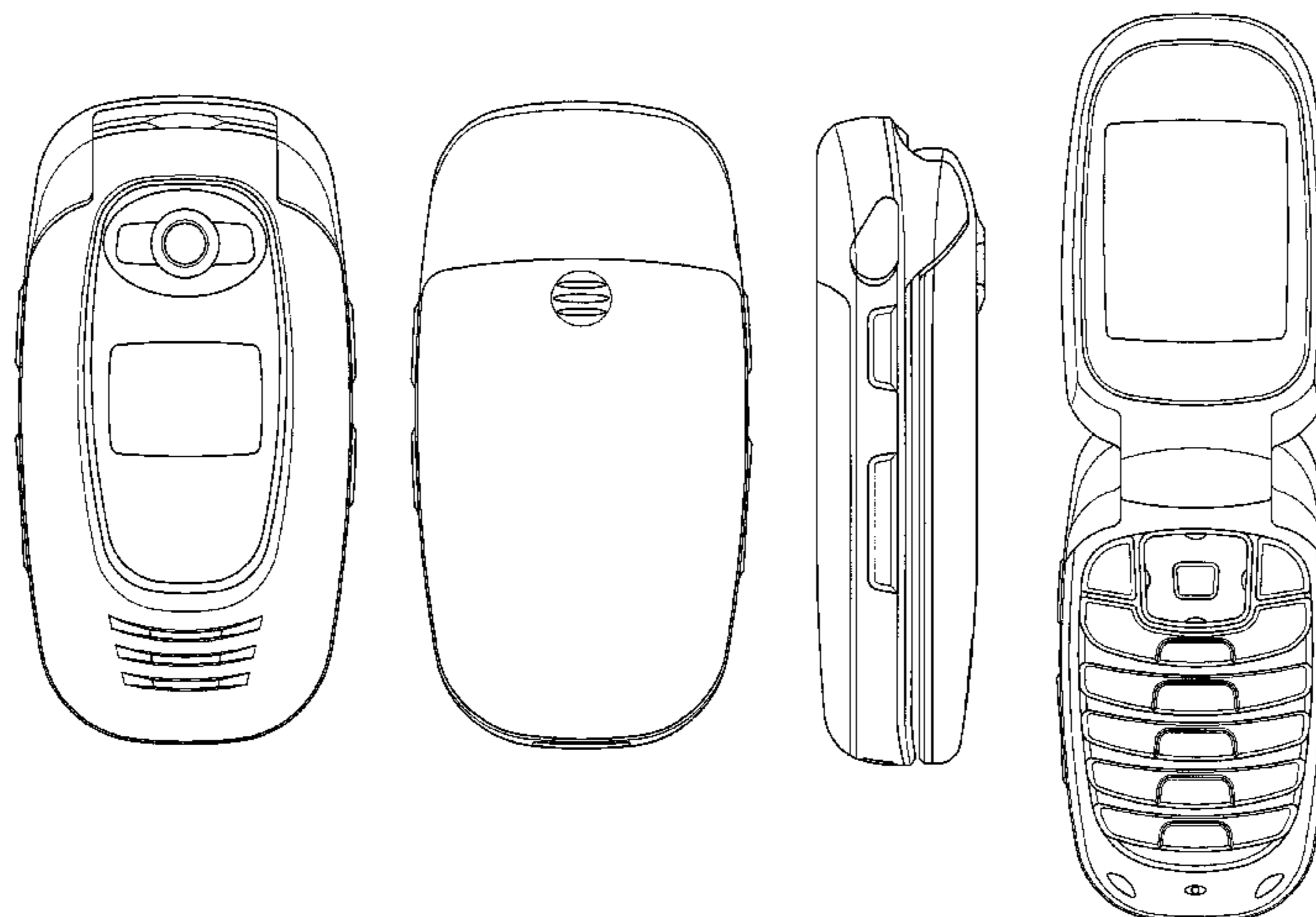
FIG. 5 is a right side view thereof;

FIG. 6 is a top plan view thereof;

FIG. 7 is a bottom plan view thereof; and,

FIG. 8 is an open view thereof.

1 Claim, 8 Drawing Sheets



US D559,810 S

Page 2

U.S. PATENT DOCUMENTS

D519,970 S *	5/2006	Kang et al.	D14/138	D521,484 S *	5/2006	Oh et al.	D14/138
D519,974 S *	5/2006	Lee	D14/138	D522,482 S *	6/2006	Jeoung et al.	D14/138
D520,485 S *	5/2006	Cho	D14/138	D522,991 S *	6/2006	Yun et al.	D14/138
D520,486 S *	5/2006	Kim et al.	D14/138	D535,962 S *	1/2007	Yun et al.	D14/138
D520,978 S *	5/2006	Lee	D14/138	D536,322 S *	2/2007	Kim et al.	D14/138
D520,979 S *	5/2006	Kim et al.	D14/138	D537,430 S *	2/2007	Lee	D14/138

* cited by examiner

FIG. 1

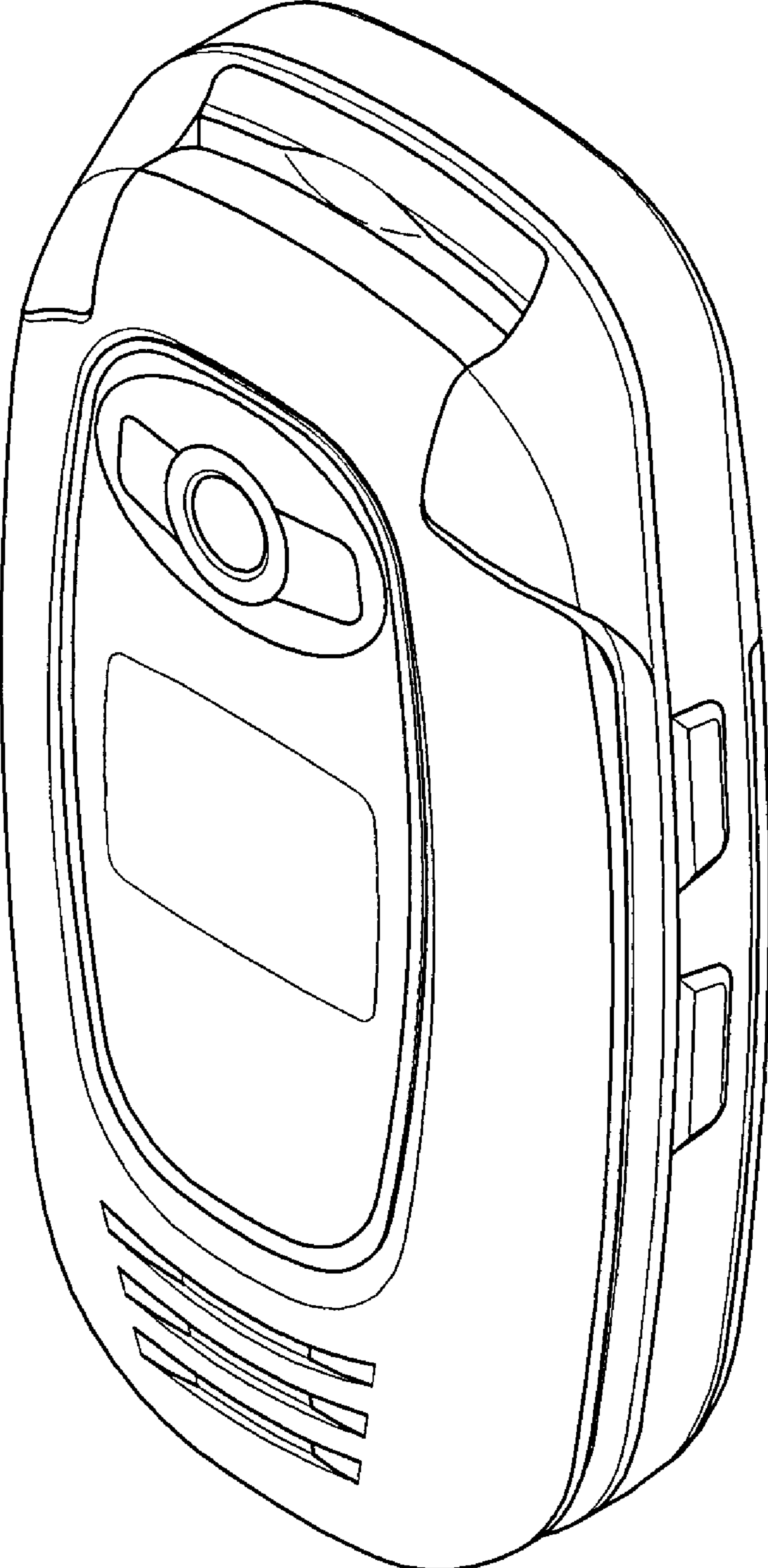


FIG. 2

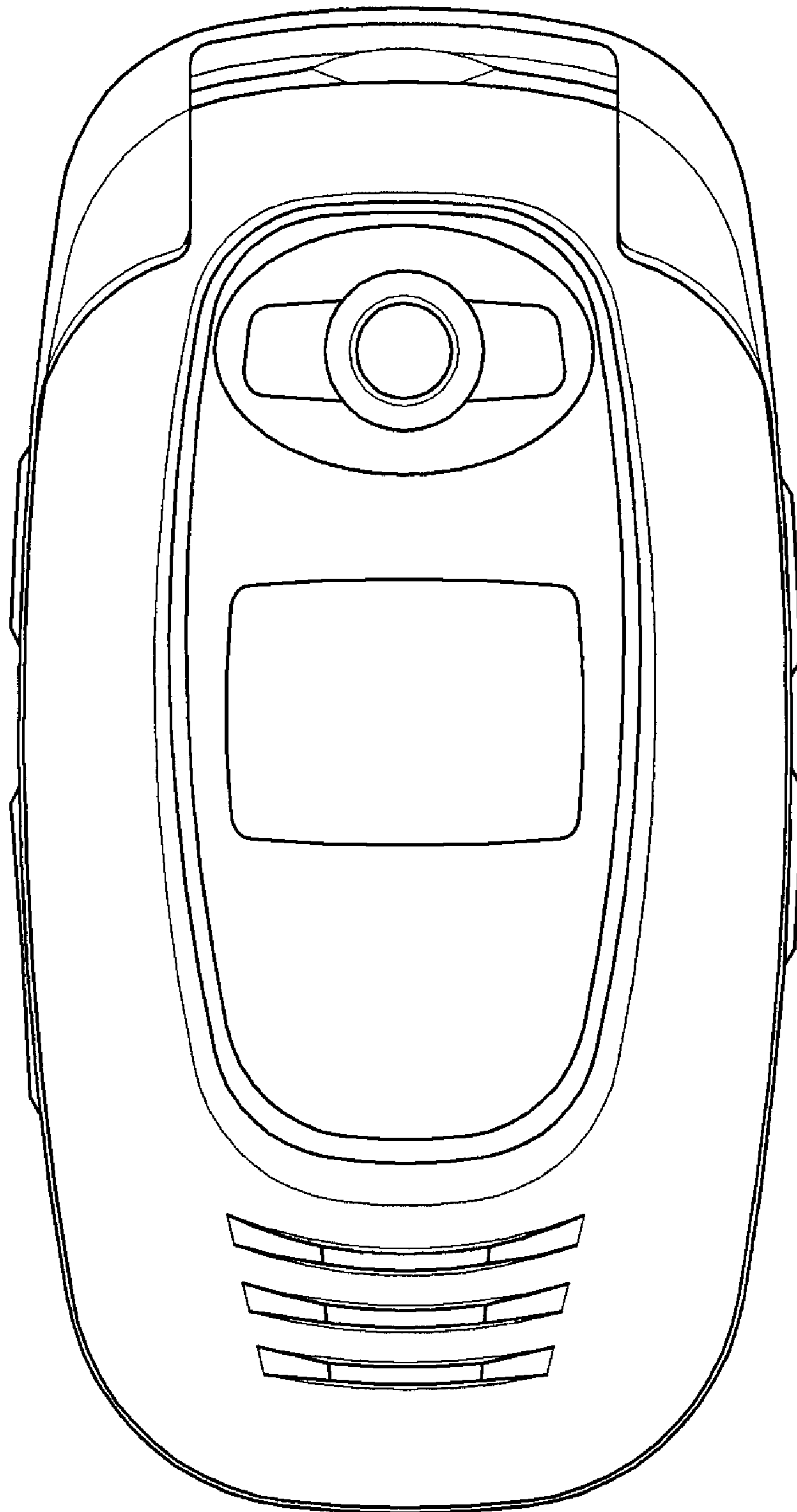


FIG. 3

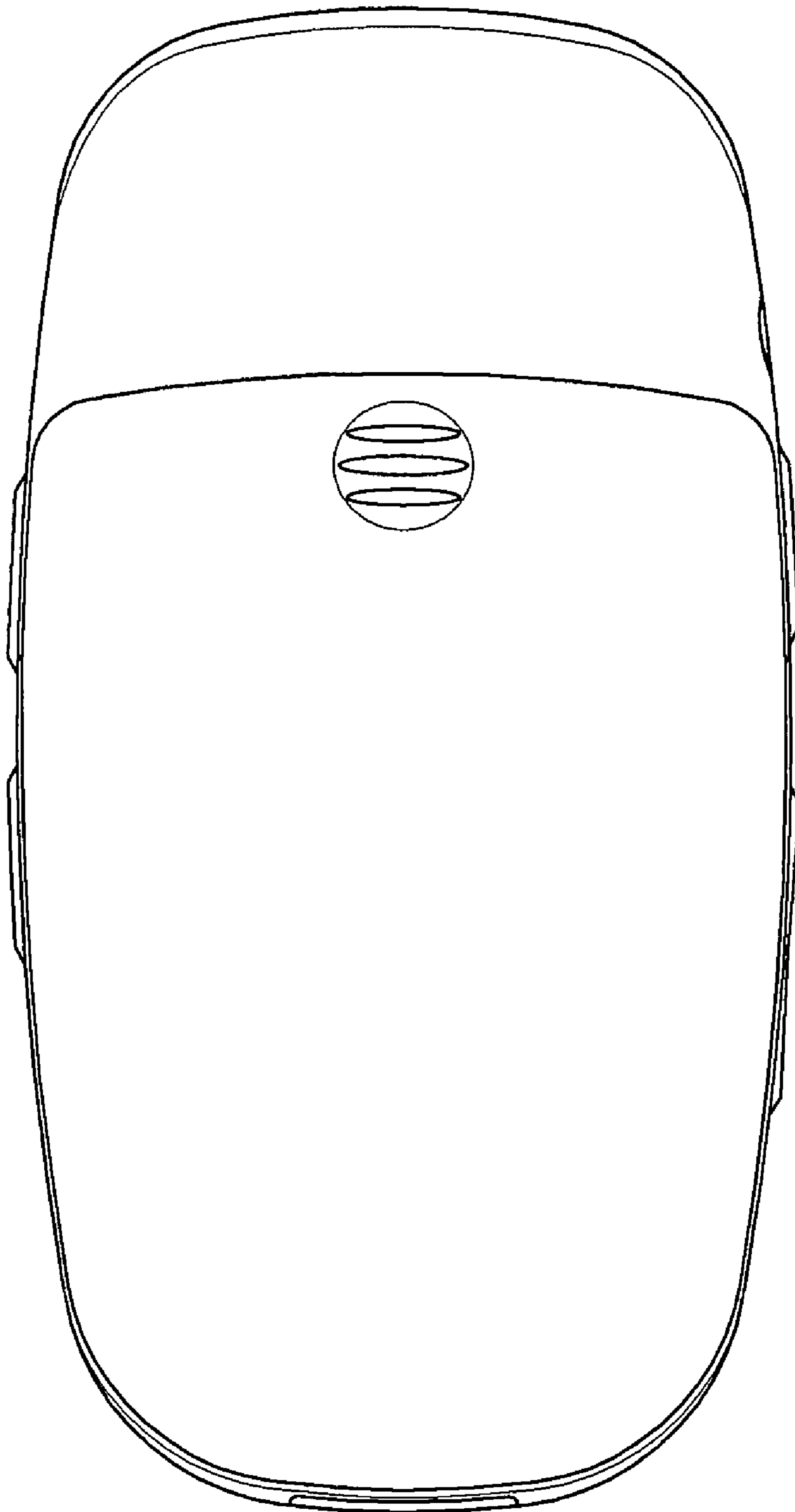


FIG. 4

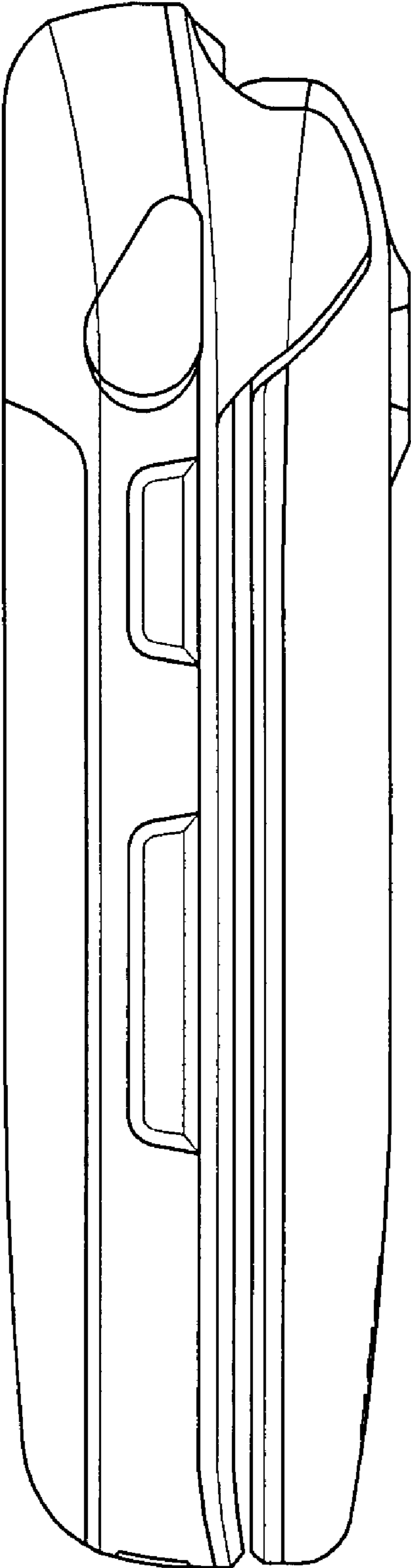


FIG. 5

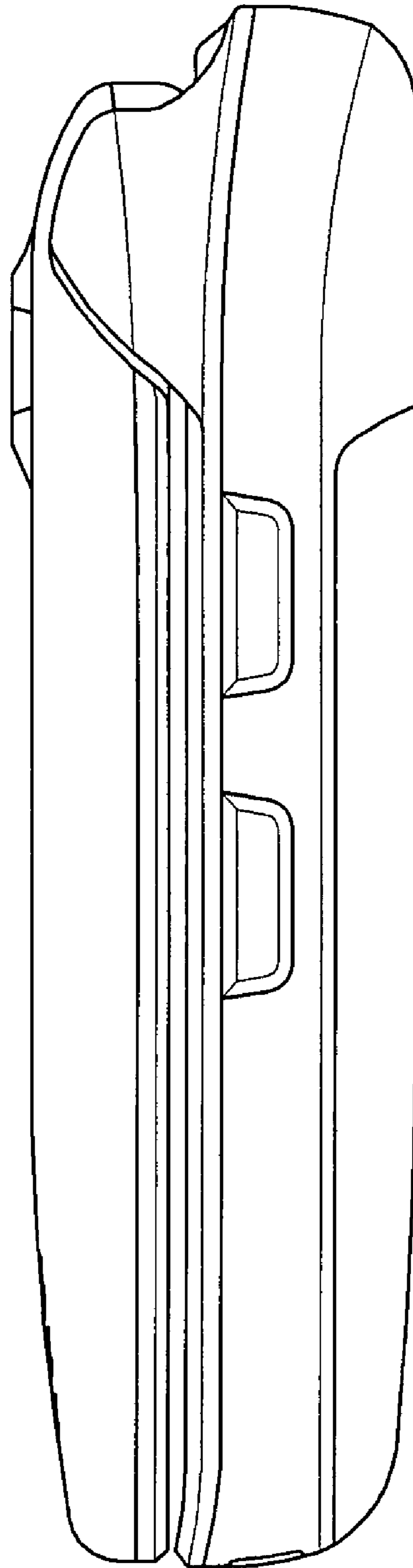


FIG. 6

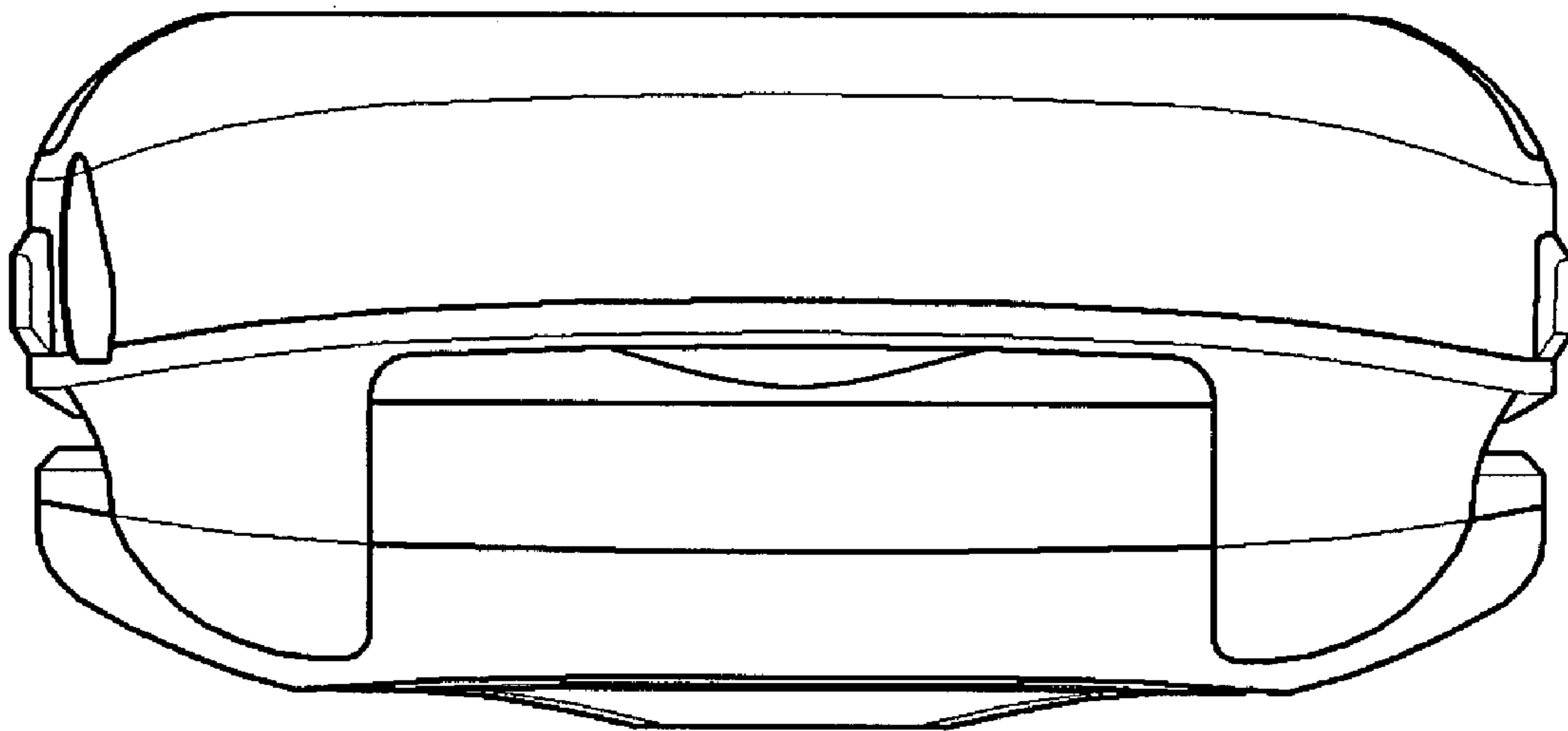


FIG. 7

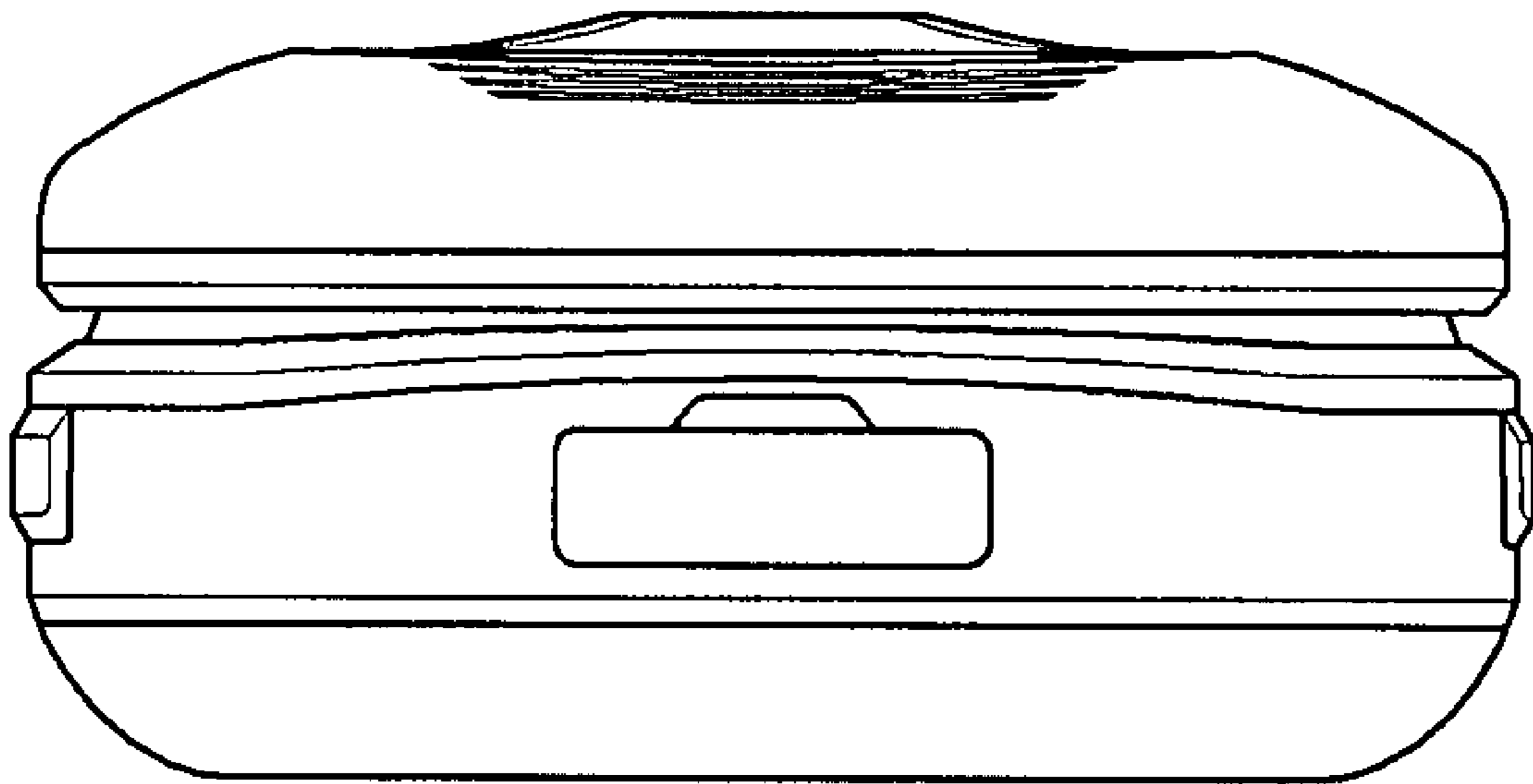


FIG. 8

