



US00D559808S

(12) **United States Design Patent**
Vitito

(10) **Patent No.:** **US D559,808 S**
(45) **Date of Patent:** **** Jan. 15, 2008**

(54) **MOBILE VIDEO SYSTEM**

(76) Inventor: **Christopher J. Vitito**, 514
Longmeadow St., Celebration, FL (US)
34747

(**) Term: **14 Years**

(21) Appl. No.: **29/272,813**

(22) Filed: **Feb. 20, 2007**

(51) **LOC (8) Cl.** **14-03**

(52) **U.S. Cl.** **D14/126**

(58) **Field of Classification Search** D14/125-134,
D14/239, 371, 374-376, 135, 136, 492, 299,
D14/356, 361-363, 365, 496; 312/7.2, 208.1-223.2;
348/836, 838, 180, 184, 325, 739, 10, 460;
341/12; 248/917-924; 345/104, 133, 156,
345/168, 87; 361/690-696

See application file for complete search history.

(56) **References Cited**

U.S. PATENT DOCUMENTS

RE33,423 E	11/1990	Lobanoff	
D324,040 S	2/1992	Saito et al.	
5,100,098 A	3/1992	Hawkins	
5,173,686 A	12/1992	Fujihara	
5,267,775 A	12/1993	Nguyen	
5,507,556 A	4/1996	Dixon	
5,529,265 A	6/1996	Sakurai	
5,713,633 A	2/1998	Lu	
D414,473 S	9/1999	Kummel et al.	
D415,147 S	10/1999	Adachi	
6,020,867 A	2/2000	Shimada et al.	
6,028,765 A *	2/2000	Swindler et al.	361/683
D438,849 S	3/2001	Adachi et al.	
D439,567 S	3/2001	Forlenza et al.	
D443,255 S	6/2001	Lavelle et al.	
6,250,967 B1	6/2001	Chu	
6,256,019 B1 *	7/2001	Allport	345/169
D446,193 S	8/2001	Lavelle et al.	

D448,009 S	9/2001	Lavelle et al.	
D457,504 S	5/2002	Hori et al.	
D468,276 S	1/2003	Chang	
D469,413 S	1/2003	To et al.	
6,619,605 B2	9/2003	Lambert	
6,669,285 B1	12/2003	Park et al.	
6,698,832 B2	3/2004	Boudinot	
D507,785 S	7/2005	Mizokawa	
D515,522 S	2/2006	Vitito	
7,044,546 B2 *	5/2006	Chang	297/217.3
D526,974 S *	8/2006	Reza et al.	D14/126
D531,150 S	10/2006	Yabe et al.	
2003/0137584 A1	7/2003	Norvell et al.	
2004/0007906 A1	1/2004	Park et al.	
2004/0032543 A1 *	2/2004	Chang	348/837

* cited by examiner

Primary Examiner—Raphael Barkai
Assistant Examiner—Randall H Gholson
(74) *Attorney, Agent, or Firm*—Welsh & Flaxman LLC

(57) **CLAIM**

The ornamental design for a mobile video system, as shown and described.

DESCRIPTION

FIG. 1 is a perspective view of a mobile video system showing my new design;

FIG. 2 is a front plan view thereof;

FIG. 3 is a top plan view thereof;

FIG. 4 is a right side plan view thereof;

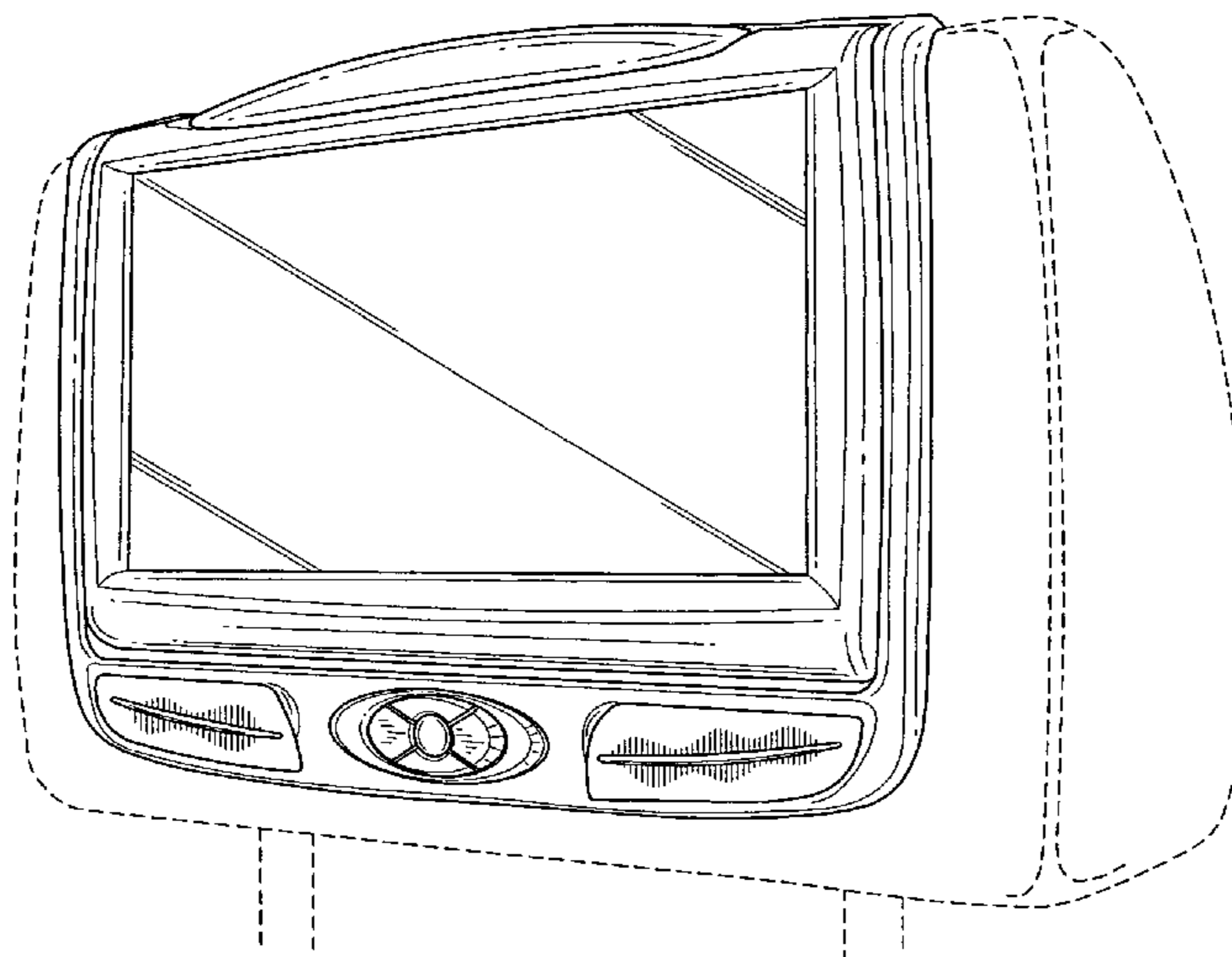
FIG. 5 is a left side plan view thereof;

FIG. 6 is a rear plan view thereof; and,

FIG. 7 is a bottom plan view thereof.

The broken lines in the drawings are for the purpose of showing environmental structure and do not form part of the design to be patented.

1 Claim, 3 Drawing Sheets



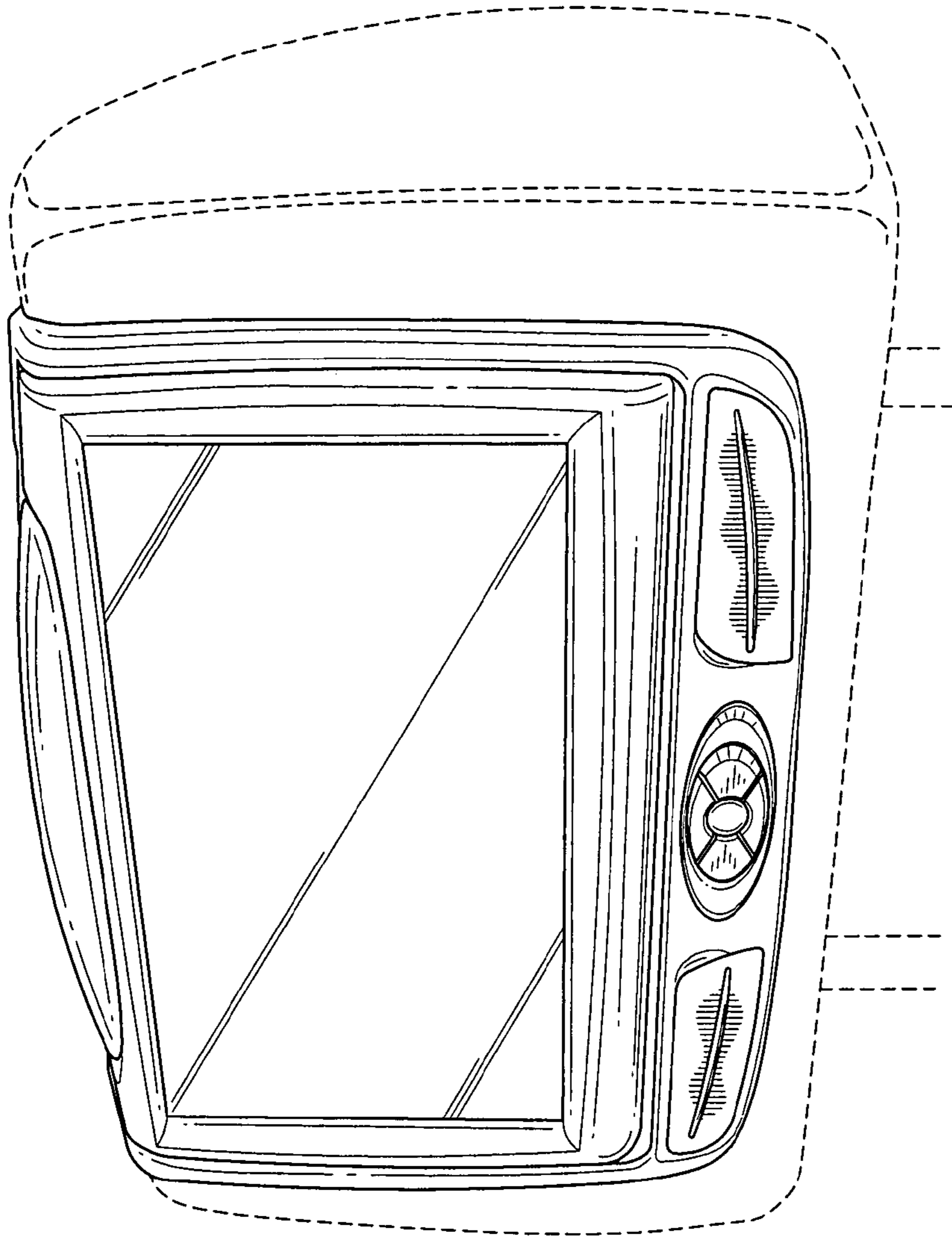


FIG. 1

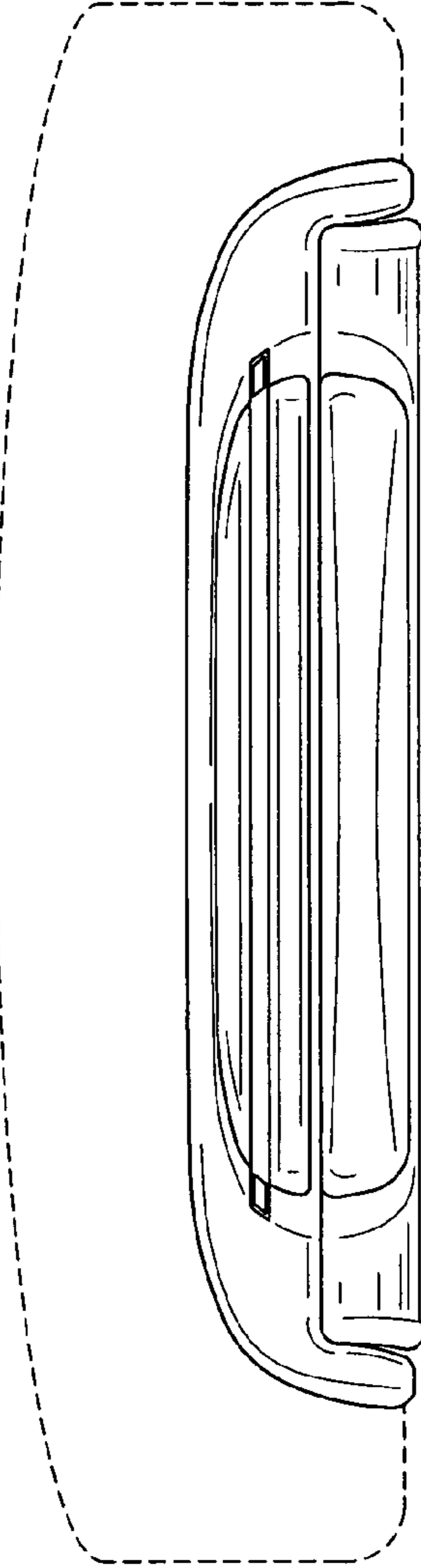


FIG. 3

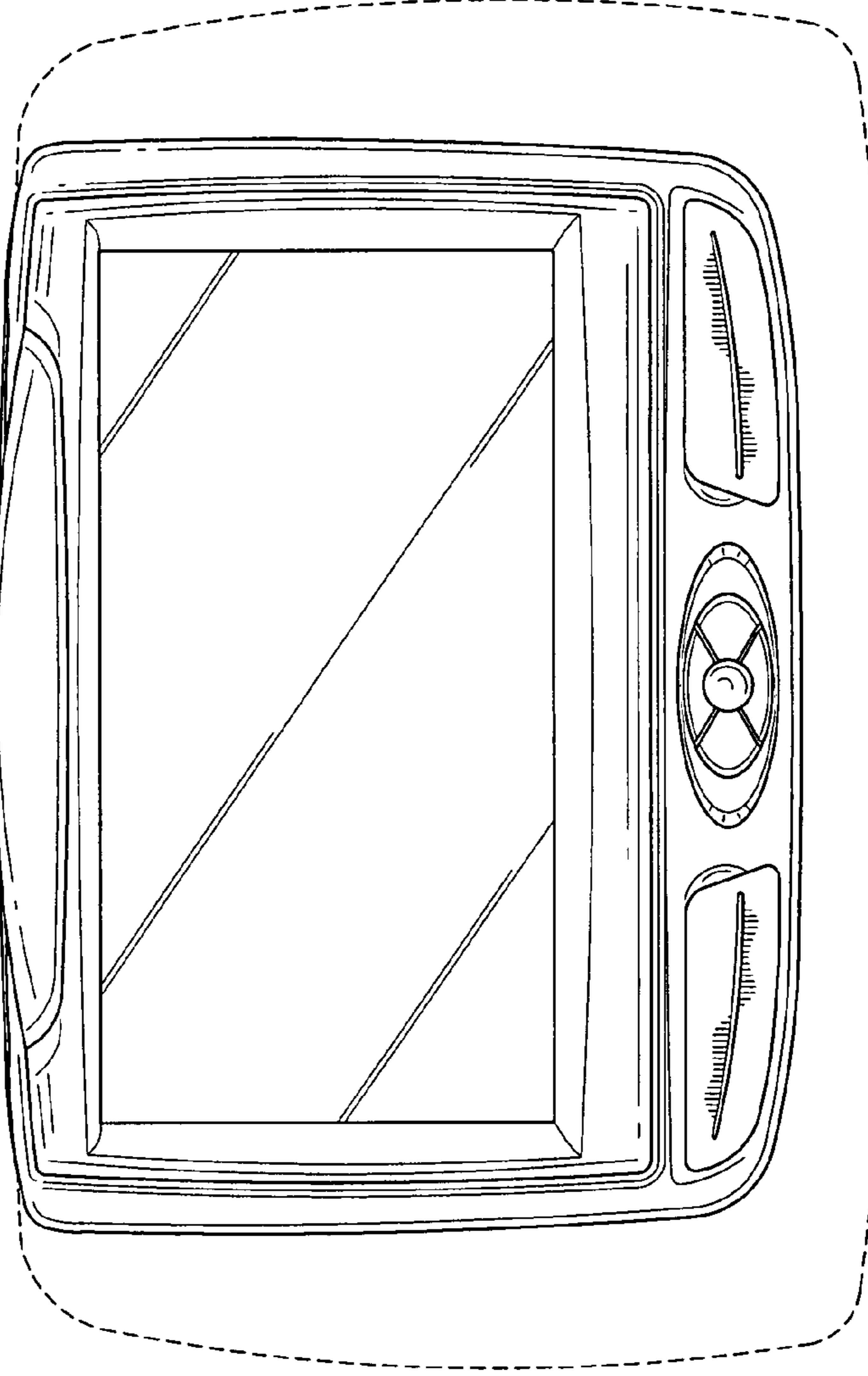


FIG. 2

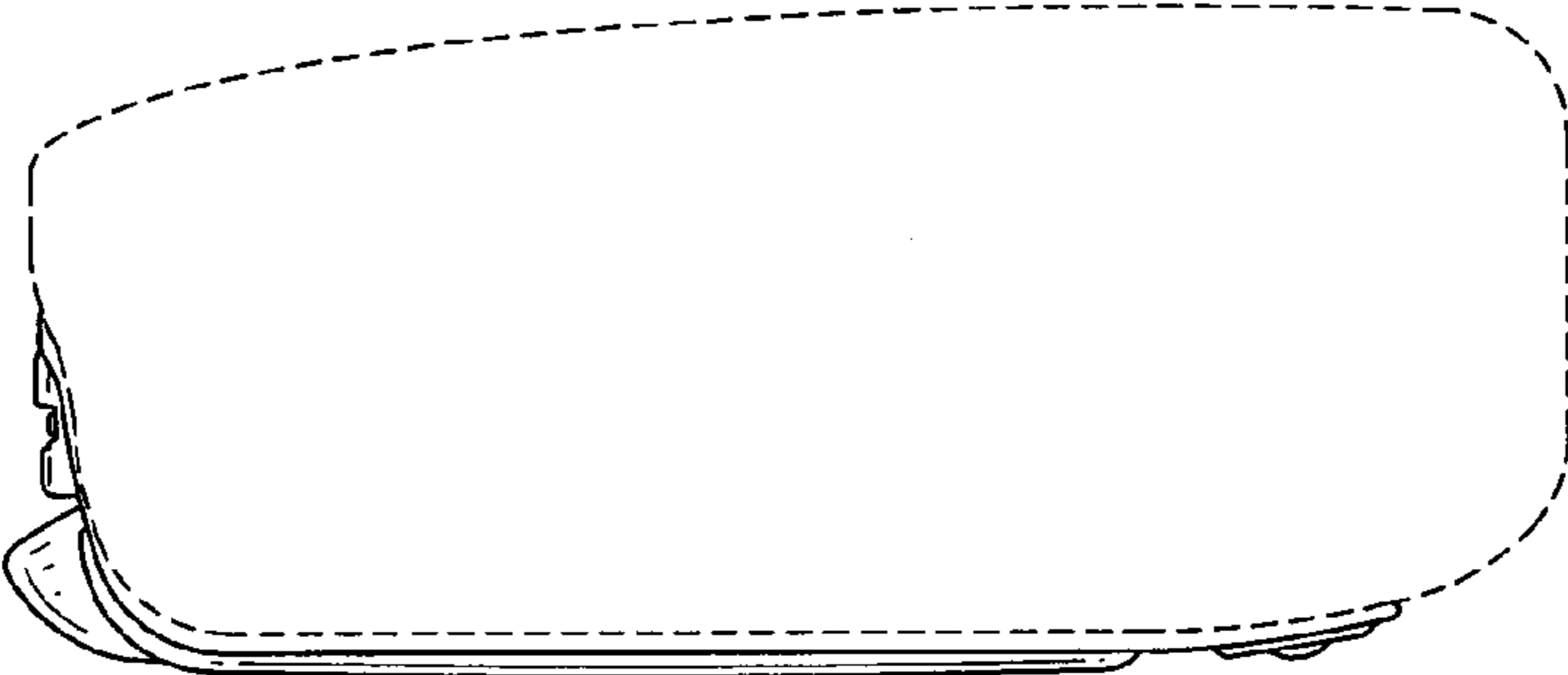


FIG. 4

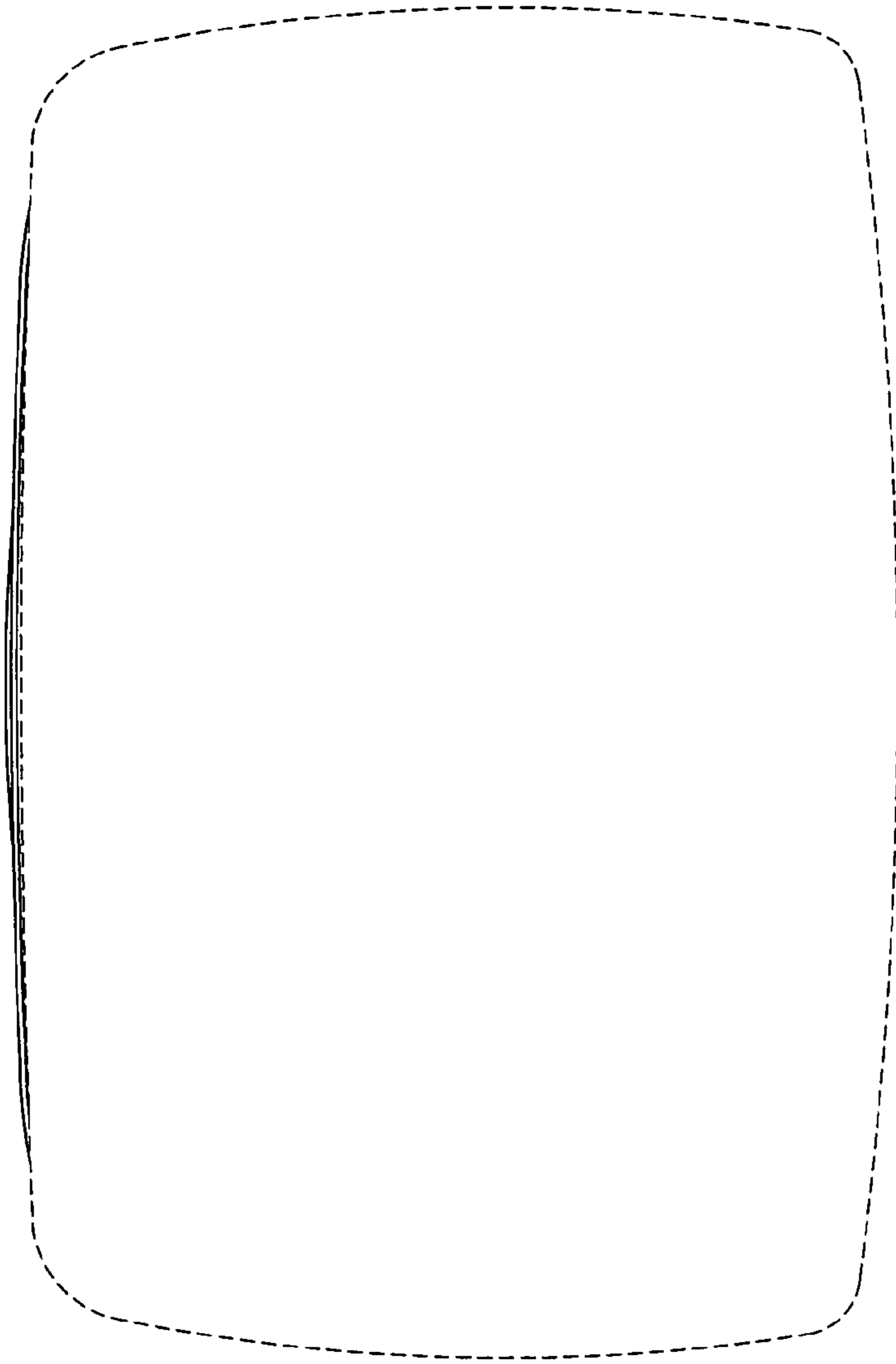


FIG. 6

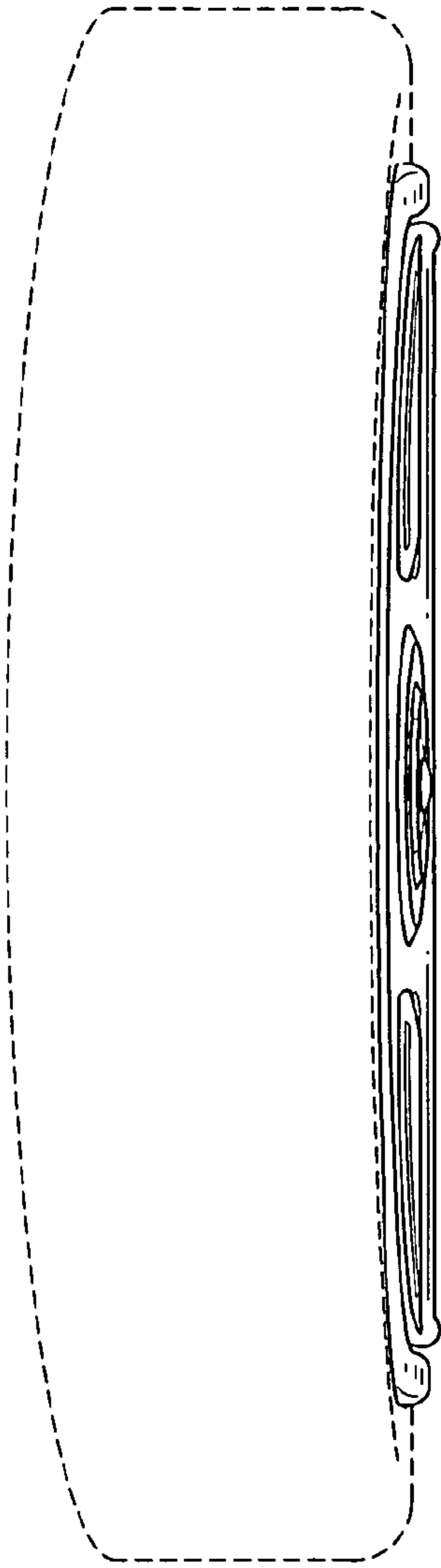


FIG. 7

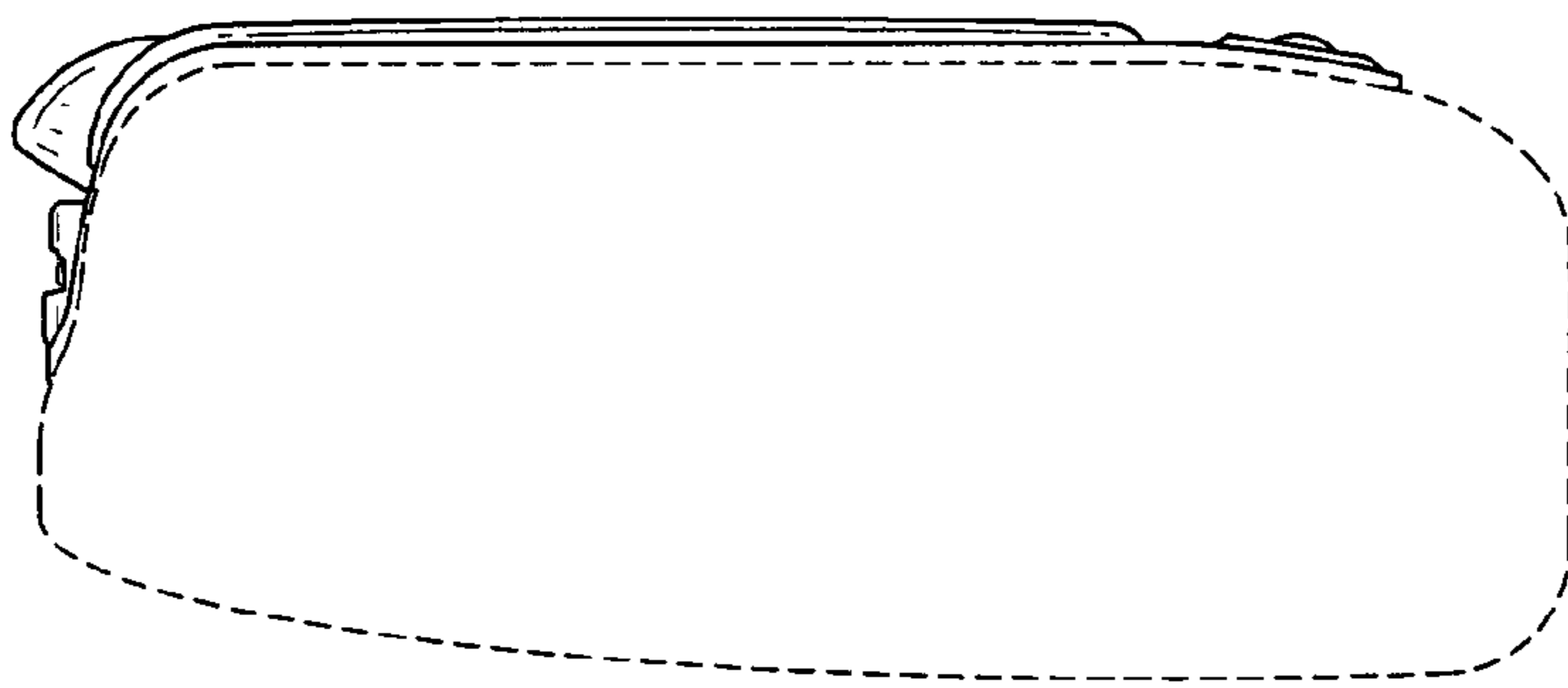


FIG. 5