



US00D559804S

(12) **United States Design Patent**  
**Lee**

(10) **Patent No.:** **US D559,804 S**  
(45) **Date of Patent:** **\*\* Jan. 15, 2008**

(54) **LED PACKAGE**

(75) **Inventor:** **Kwang Cheol Lee, Gwangju (KR)**

(73) **Assignee:** **LG Innotek Co., Ltd., Seoul (KR)**

(\*\*) **Term:** **14 Years**

(21) **Appl. No.:** **29/261,719**

(22) **Filed:** **Jun. 20, 2006**

(30) **Foreign Application Priority Data**

Dec. 21, 2005 (KR) ..... 30-2005-0043207

(51) **LOC (8) Cl.** ..... **13-03**

(52) **U.S. Cl.** ..... **D13/180**

(58) **Field of Classification Search** ..... D13/180;  
D26/2; 257/79, 80, 81, 82, 88, 89, 95, 98,  
257/99, 100, 678, 680, 433, 434; 313/483,  
313/498, 500; 361/820; 362/555, 800  
See application file for complete search history.

(56) **References Cited**

**U.S. PATENT DOCUMENTS**

6,707,069 B2 \* 3/2004 Song et al. .... 257/79  
6,774,406 B2 \* 8/2004 Isoda ..... 257/99  
D517,026 S \* 3/2006 Suenaga ..... D13/180

D528,997 S \* 9/2006 Jung et al. .... D13/180  
2004/0126913 A1 \* 7/2004 Loh ..... 438/26  
2005/0051789 A1 \* 3/2005 Negley et al. .... 257/99  
2007/0030703 A1 \* 2/2007 Lee et al. .... 362/800

\* cited by examiner

*Primary Examiner*—Selina Sikder

(74) *Attorney, Agent, or Firm*—Birch, Stewart, Kolasch & Birch, LLP

(57) **CLAIM**

The ornamental design for an LED package, as shown and described.

**DESCRIPTION**

FIG. 1 is a perspective view of the LED package showing my new design;

FIG. 2 is a front view thereof;

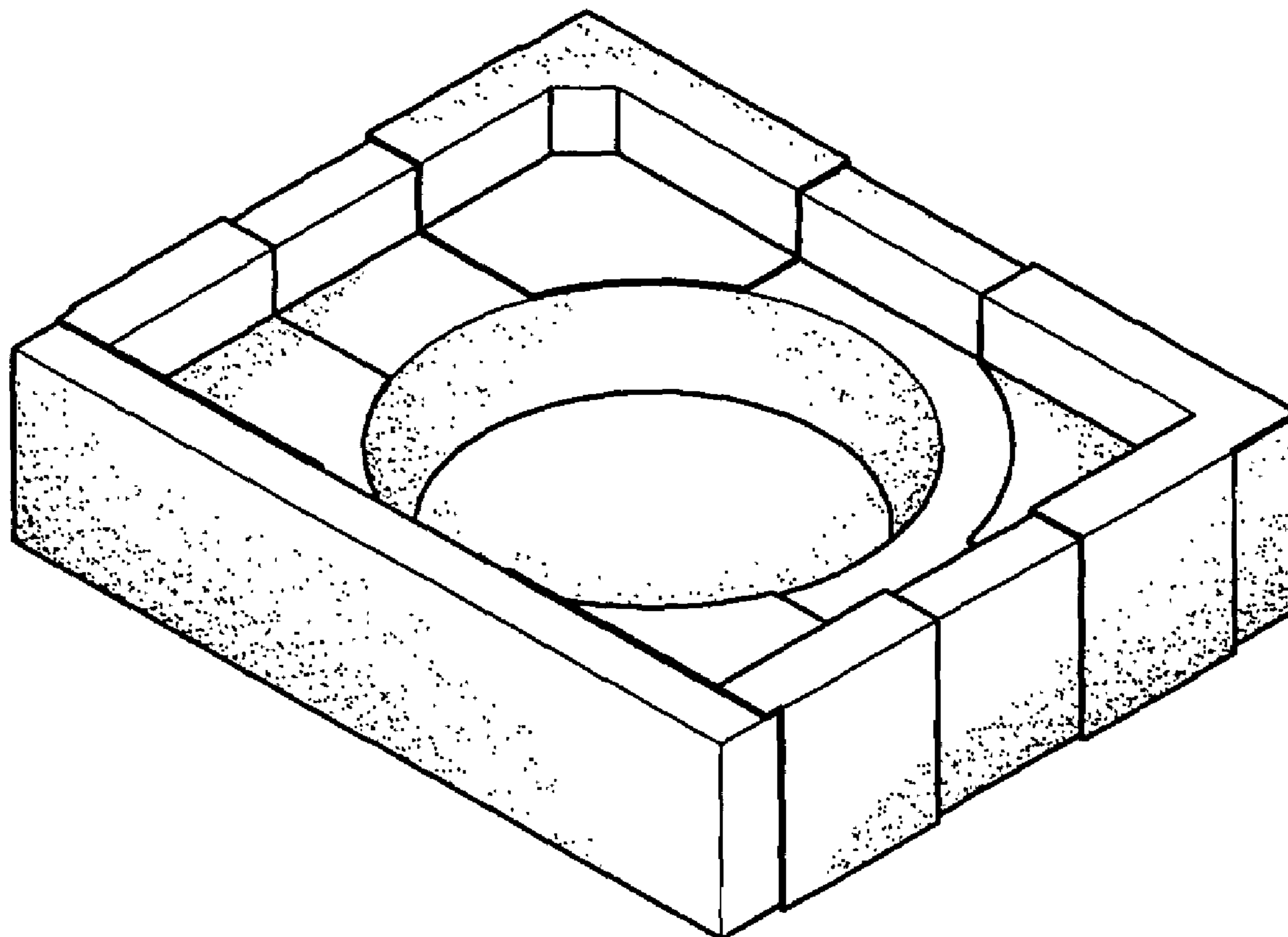
FIG. 3 is a rear view thereof;

FIG. 4 is a left side view thereof, the right side view being a mirror image thereof;

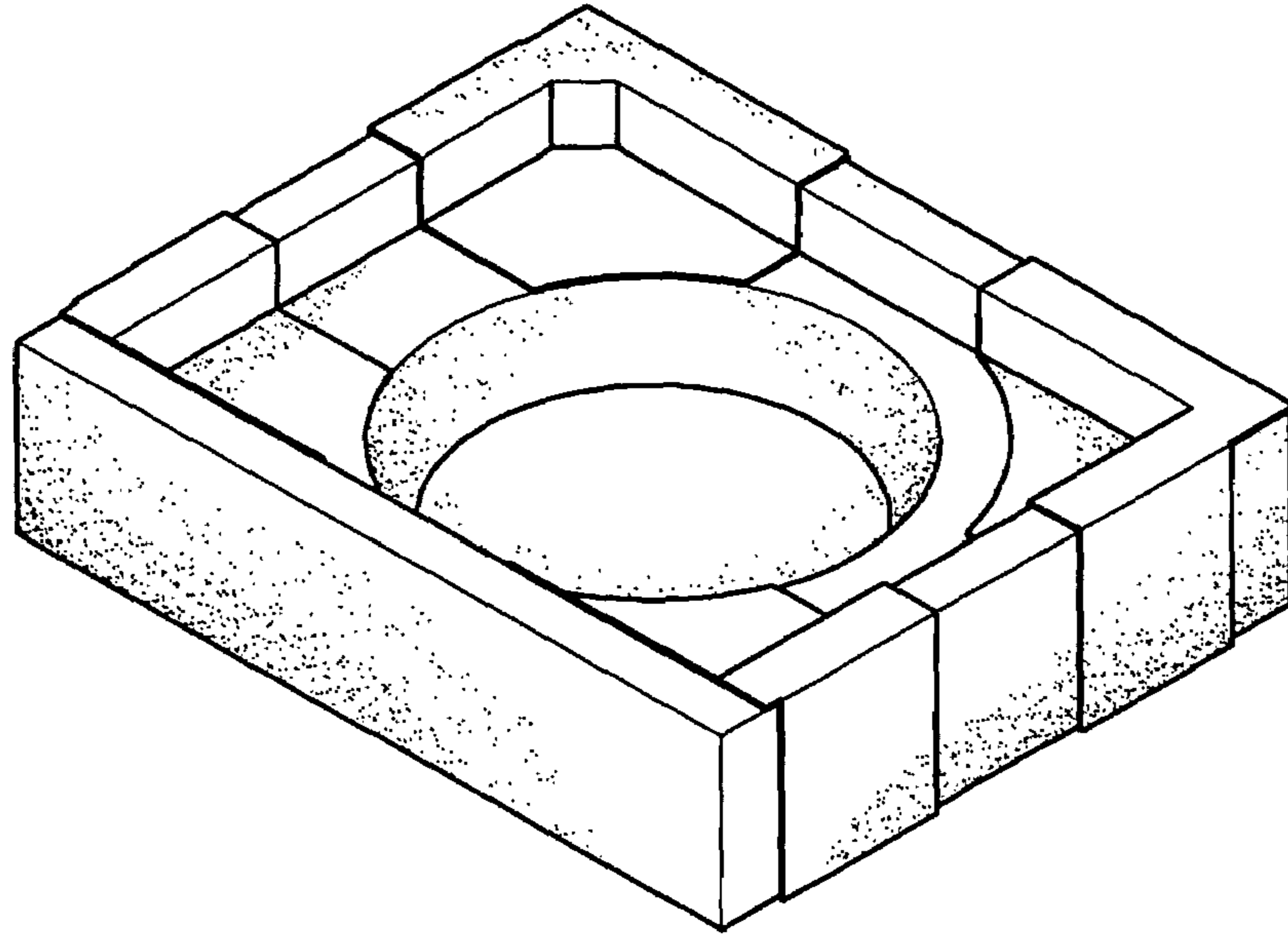
FIG. 5 is a top view thereof; and,

FIG. 6 is a bottom view thereof.

**1 Claim, 3 Drawing Sheets**



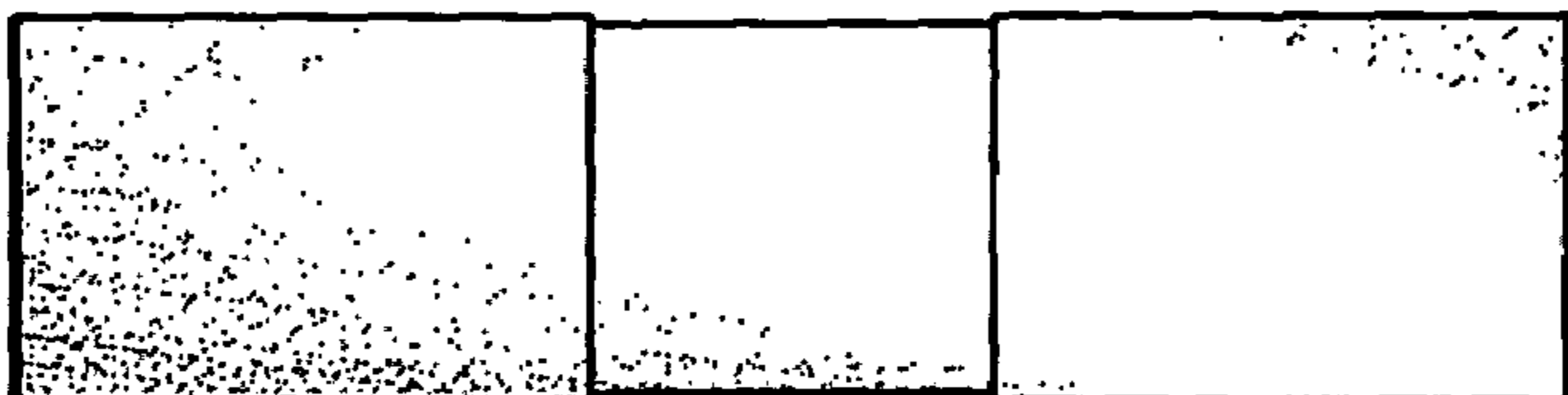
**FIG. 1**



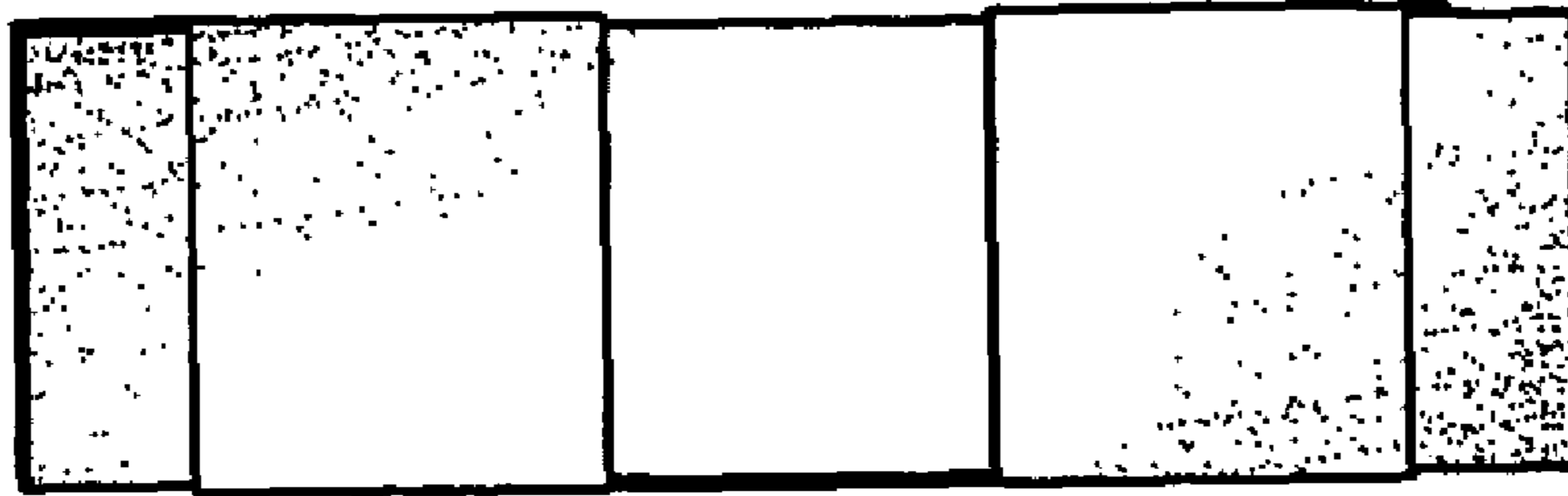
**FIG. 2**



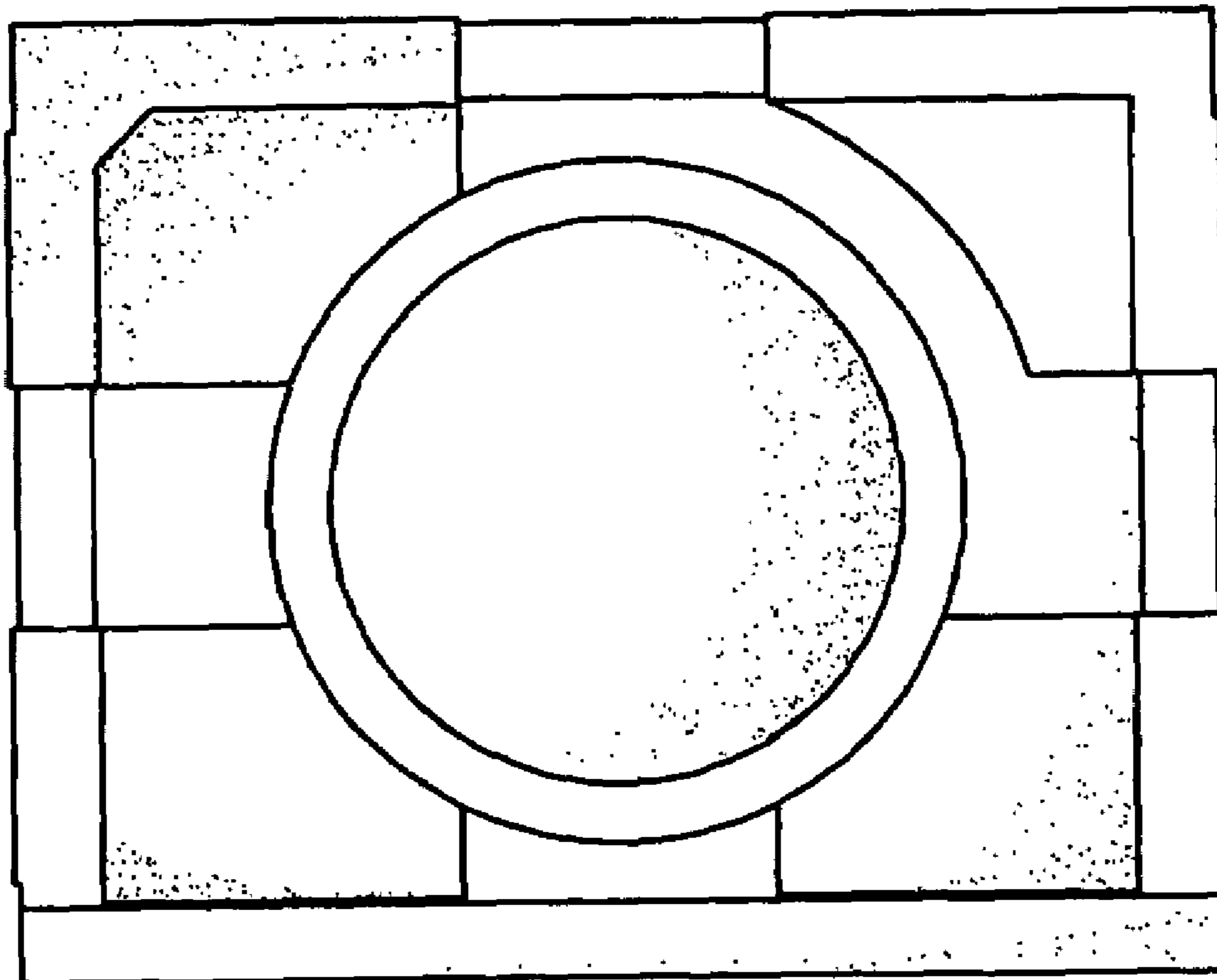
**FIG. 3**



**FIG. 4**



**FIG. 5**



**FIG. 6**

