



US00D559803S

(12) **United States Design Patent**  
**Lee**

(10) **Patent No.:** **US D559,803 S**  
(45) **Date of Patent:** **\*\* Jan. 15, 2008**

(54) **LIGHT-EMITTING DIODE (LED)**  
(75) Inventor: **Kwang Cheol Lee**, Gwangju (KR)  
(73) Assignee: **LG Innotek Co., Ltd**, Seoul (KR)  
(\*\*) Term: **14 Years**  
(21) Appl. No.: **29/259,247**  
(22) Filed: **May 5, 2006**

(30) **Foreign Application Priority Data**  
Nov. 8, 2005 (KR) ..... 30-2005-0037571

(51) **LOC (8) Cl.** ..... **13-03**  
(52) **U.S. Cl.** ..... **D13/180**  
(58) **Field of Classification Search** ..... D13/180;  
D26/2; 257/79, 80, 81, 82, 88, 89, 95, 98,  
257/99, 100, 678, 680, 433, 434; 313/483,  
313/498, 500; 361/820; 362/555, 800  
See application file for complete search history.

(56) **References Cited**  
U.S. PATENT DOCUMENTS  
6,320,739 B1 \* 11/2001 Gotoh et al. .... 361/820  
6,707,069 B2 \* 3/2004 Song et al. .... 257/79  
6,921,926 B2 \* 7/2005 Hsu ..... 257/98

D517,026 S \* 3/2006 Suenaga ..... D13/180  
D528,997 S \* 9/2006 Jung et al. .... D13/180  
D531,140 S \* 10/2006 Konno et al. .... D13/180  
2004/0041222 A1 \* 3/2004 Loh ..... 257/433  
2005/0051789 A1 \* 3/2005 Negley et al. .... 257/99  
2007/0030703 A1 \* 2/2007 Lee et al. .... 362/800  
\* cited by examiner

*Primary Examiner*—Selina Sikder  
(74) *Attorney, Agent, or Firm*—Birch, Stewart, Kolasch & Birch, LLP

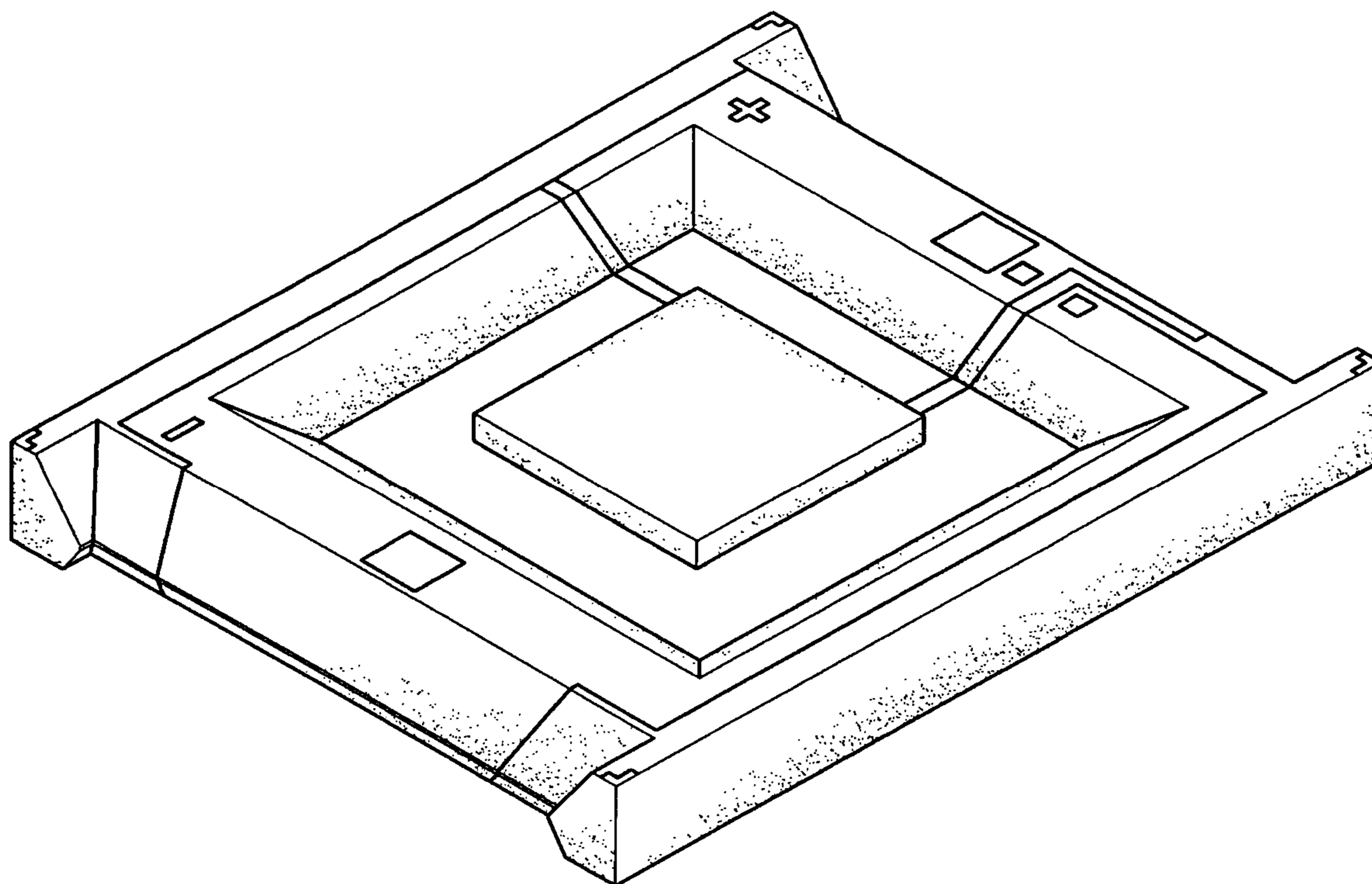
(57) **CLAIM**

The ornamental design for a light-emitting diode (LED), as shown and described.

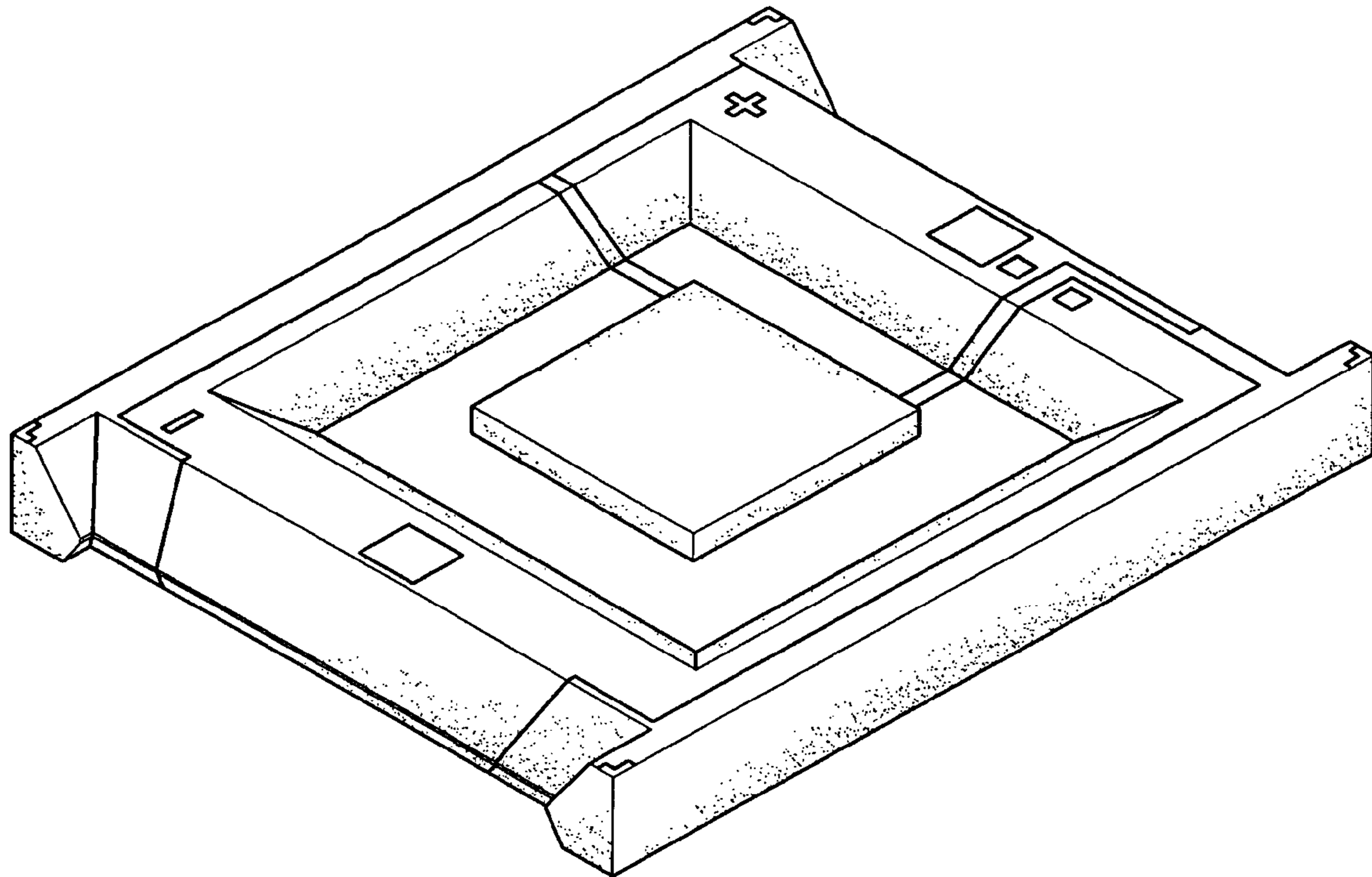
**DESCRIPTION**

FIG. 1 is a perspective view of the light-emitting diode (LED) showing my new design;  
FIG. 2 is a front view thereof; the rear view being a mirror image thereof;  
FIG. 3 is a left side view thereof, the right side view being a mirror image thereof;  
FIG. 4 is a top view thereof; and,  
FIG. 5 is a bottom view thereof.

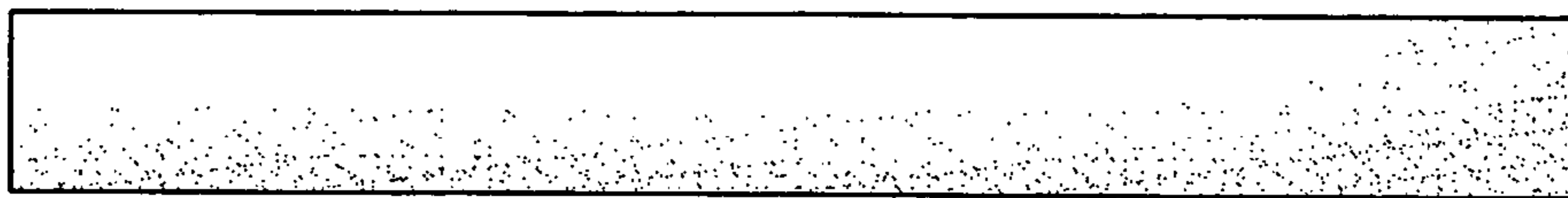
**1 Claim, 3 Drawing Sheets**



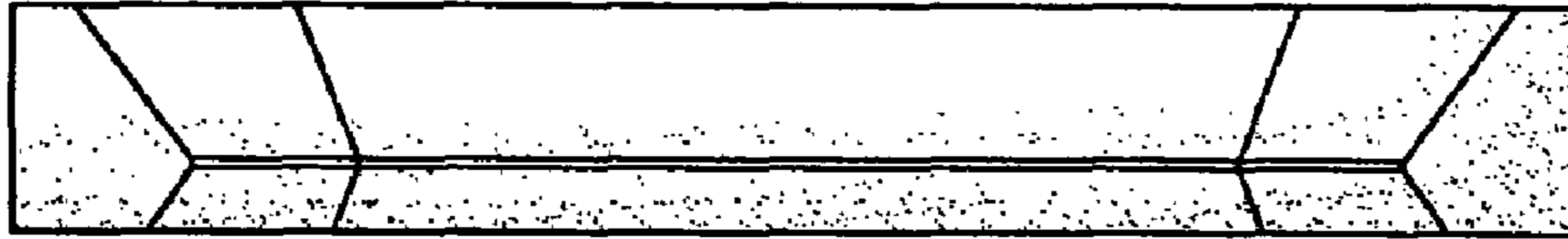
**FIG. 1**



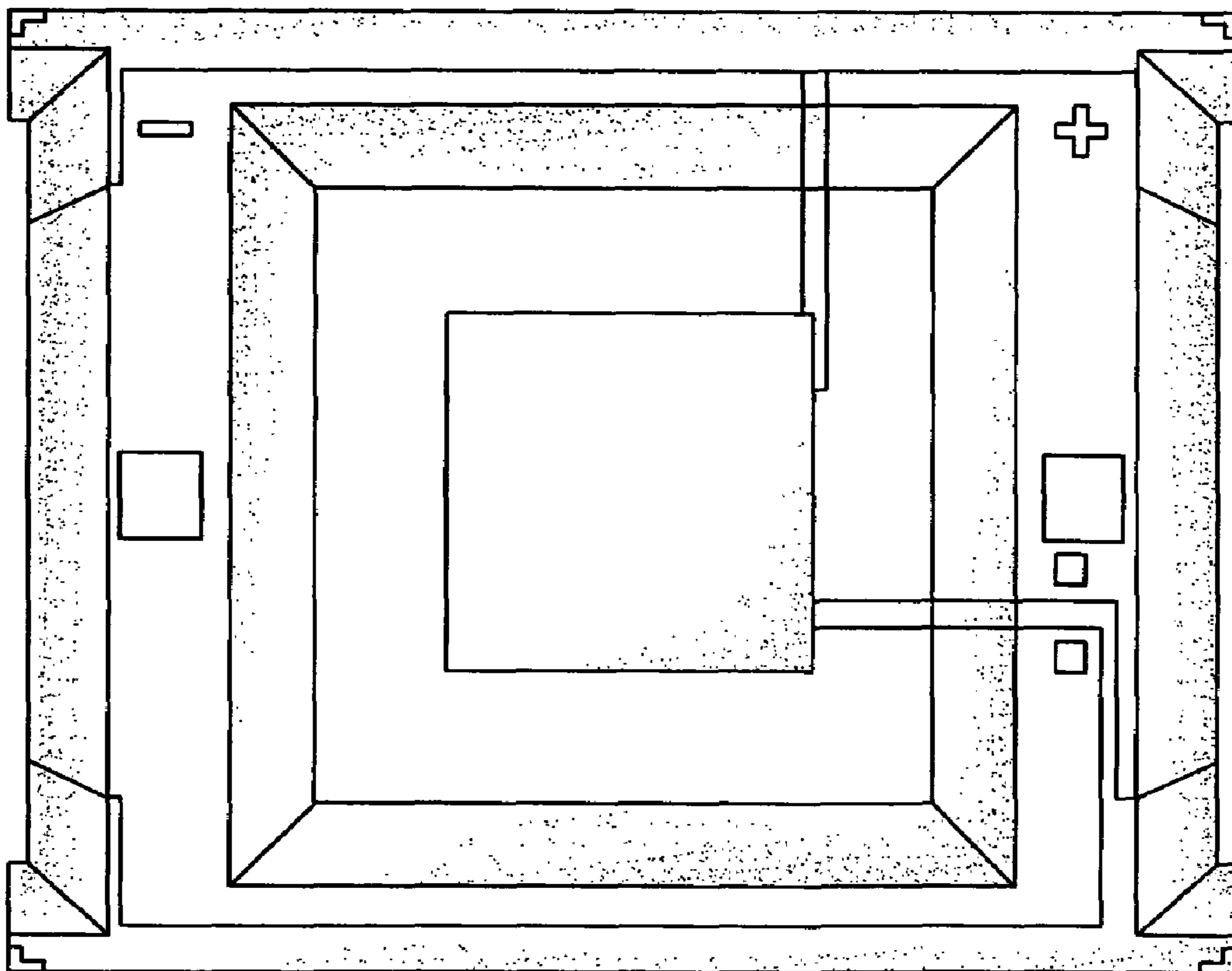
**FIG. 2**



**FIG. 3**



**FIG. 4**



**FIG. 5**

