



US00D559798S

(12) **United States Design Patent**
Neveu

(10) **Patent No.:** **US D559,798 S**

(45) **Date of Patent:** **** Jan. 15, 2008**

(54) **ELECTRICAL ENERGY CONTROL SWITCH**

(75) Inventor: **Stephane Neveu**, Strasbourg (FR)

(73) Assignees: **Legrand France**, Limoges (FR);
Legrand SNC, Limoges (FR)

(**) Term: **14 Years**

(21) Appl. No.: **29/269,753**

(22) Filed: **Dec. 8, 2006**

(30) **Foreign Application Priority Data**

Jun. 12, 2006 (EM) 000545603

(51) **LOC (8) Cl.** **13-03**

(52) **U.S. Cl.** **D13/174**

(58) **Field of Classification Search** D13/158,
D13/160-164, 177, 184; 200/11 R, 16 B;
204/297; 205/118; D23/250-252; D8/310-312;
D14/217

See application file for complete search history.

(56) **References Cited**

U.S. PATENT DOCUMENTS

D344,930 S * 3/1994 Schaeffer D13/171
D362,841 S * 10/1995 Roza D13/171
D377,337 S * 1/1997 Schaeffer D13/171
D432,997 S * 10/2000 Bonn D13/174

D441,346 S * 5/2001 Bonn D13/174
D463,381 S * 9/2002 Westermann D13/167
D469,411 S * 1/2003 Decosse D13/174
D492,311 S * 6/2004 Suzuki D14/402
D511,290 S * 11/2005 Coudurier D8/310
D514,528 S * 2/2006 Beaton D13/171
D523,114 S * 6/2006 Schaffeld et al. D23/249
D527,611 S * 9/2006 Sato D8/310
2006/0065511 A1 * 3/2006 Yamasaki et al. 200/5 R

* cited by examiner

Primary Examiner—Selina Sikder

Assistant Examiner—Thomas J Johannes

(74) *Attorney, Agent, or Firm*—Young & Thompson

(57) **CLAIM**

The ornamental design for an <<electrical energy control switch >, as shown.

DESCRIPTION

FIG. 1 is a front elevational view thereof;
FIG. 2 is a left side elevational view thereof;
FIG. 3 is a right side elevational view thereof;
FIG. 4 is a top view thereof;
FIG. 5 is a bottom view thereof; and,
FIG. 6 is a perspective view.

1 Claim, 2 Drawing Sheets

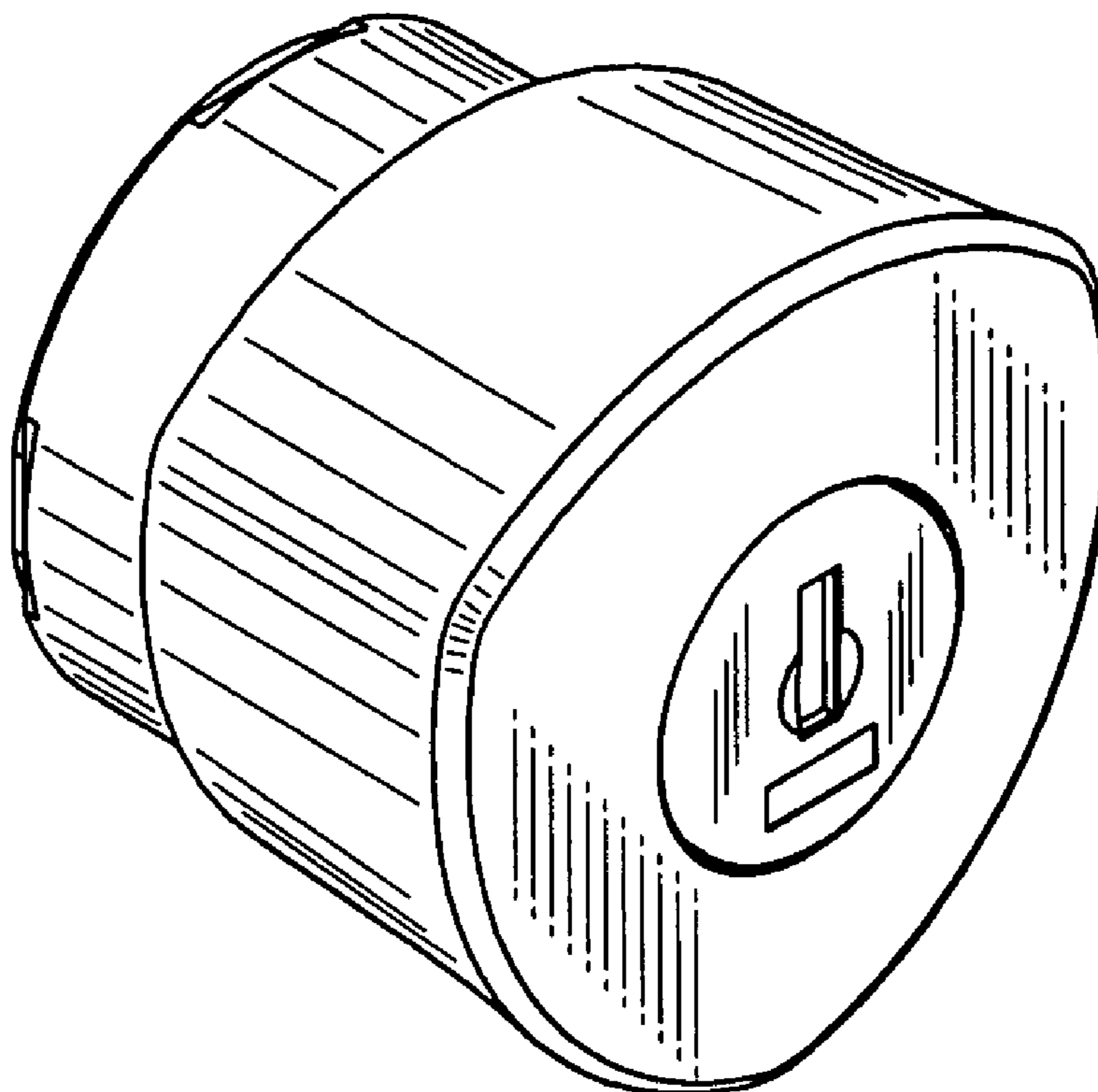


Fig.1

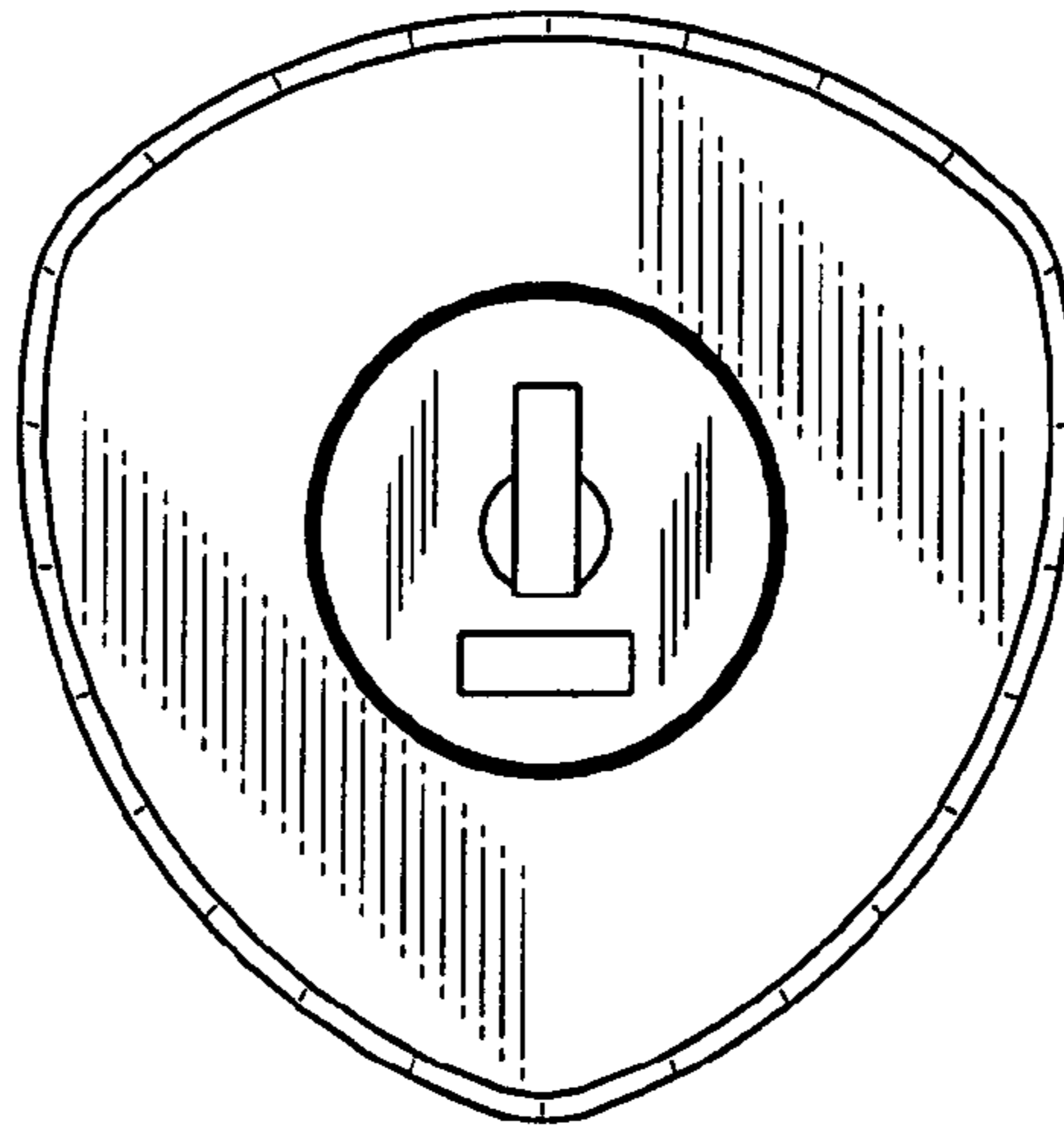


Fig.2

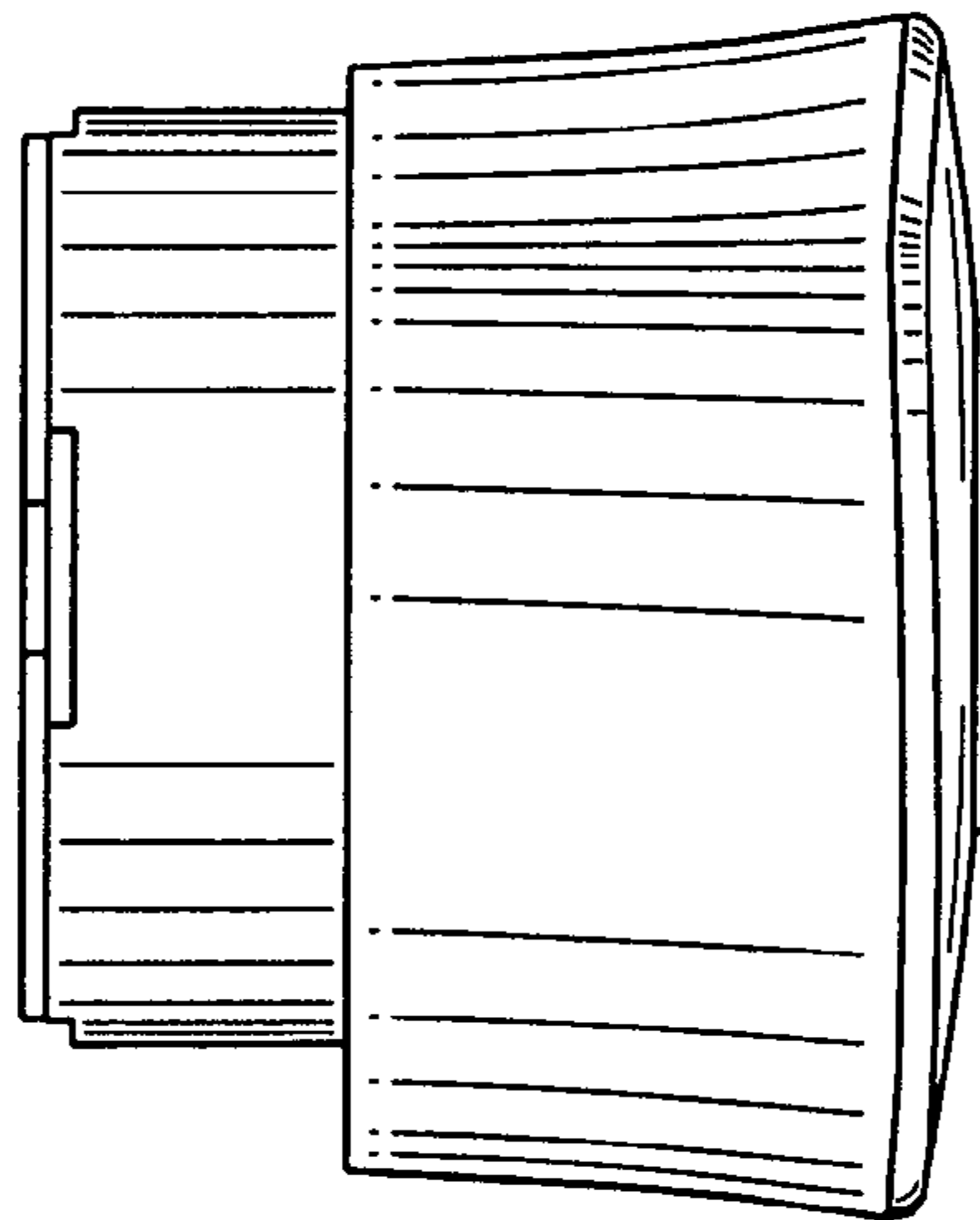


Fig.3

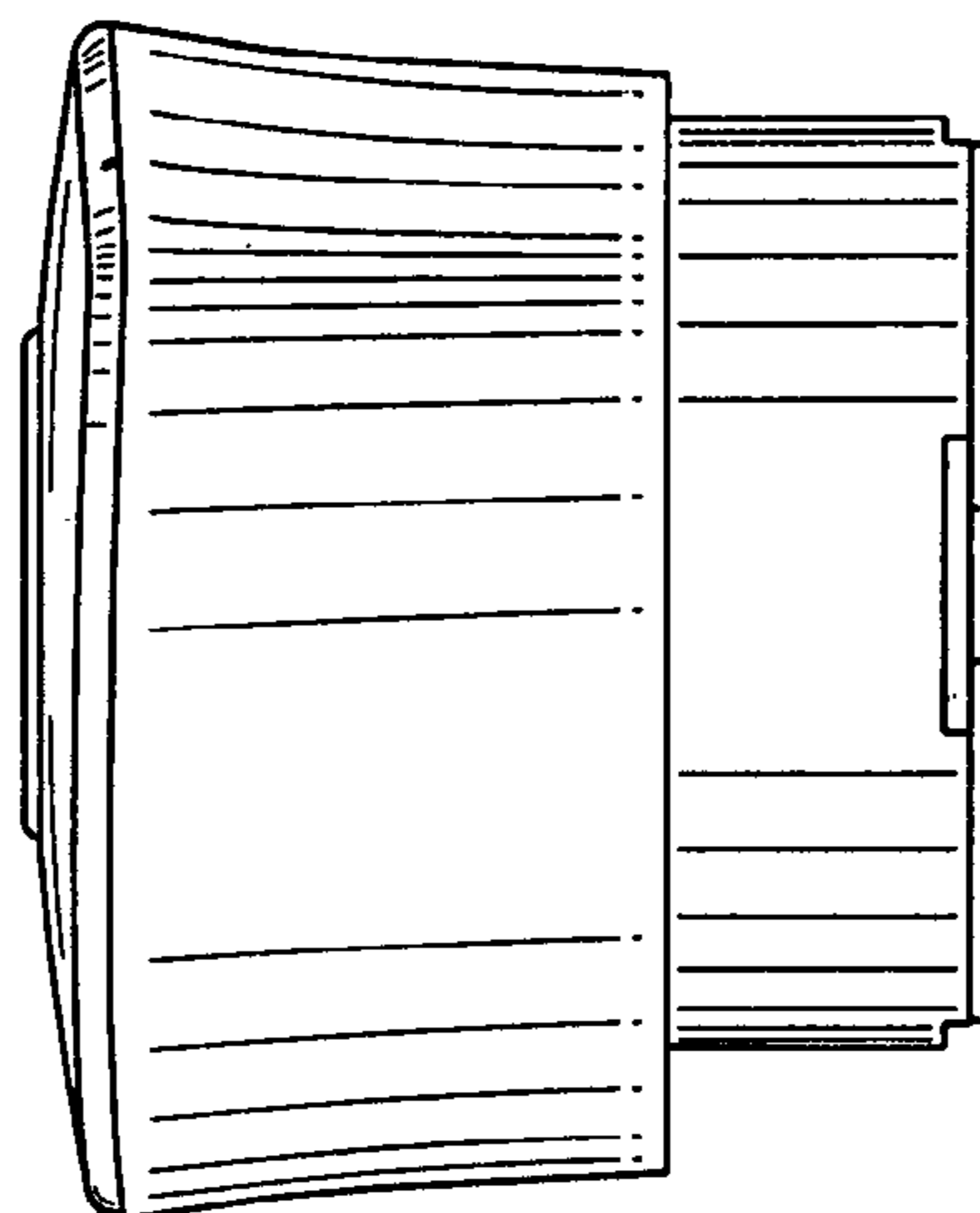


Fig.4

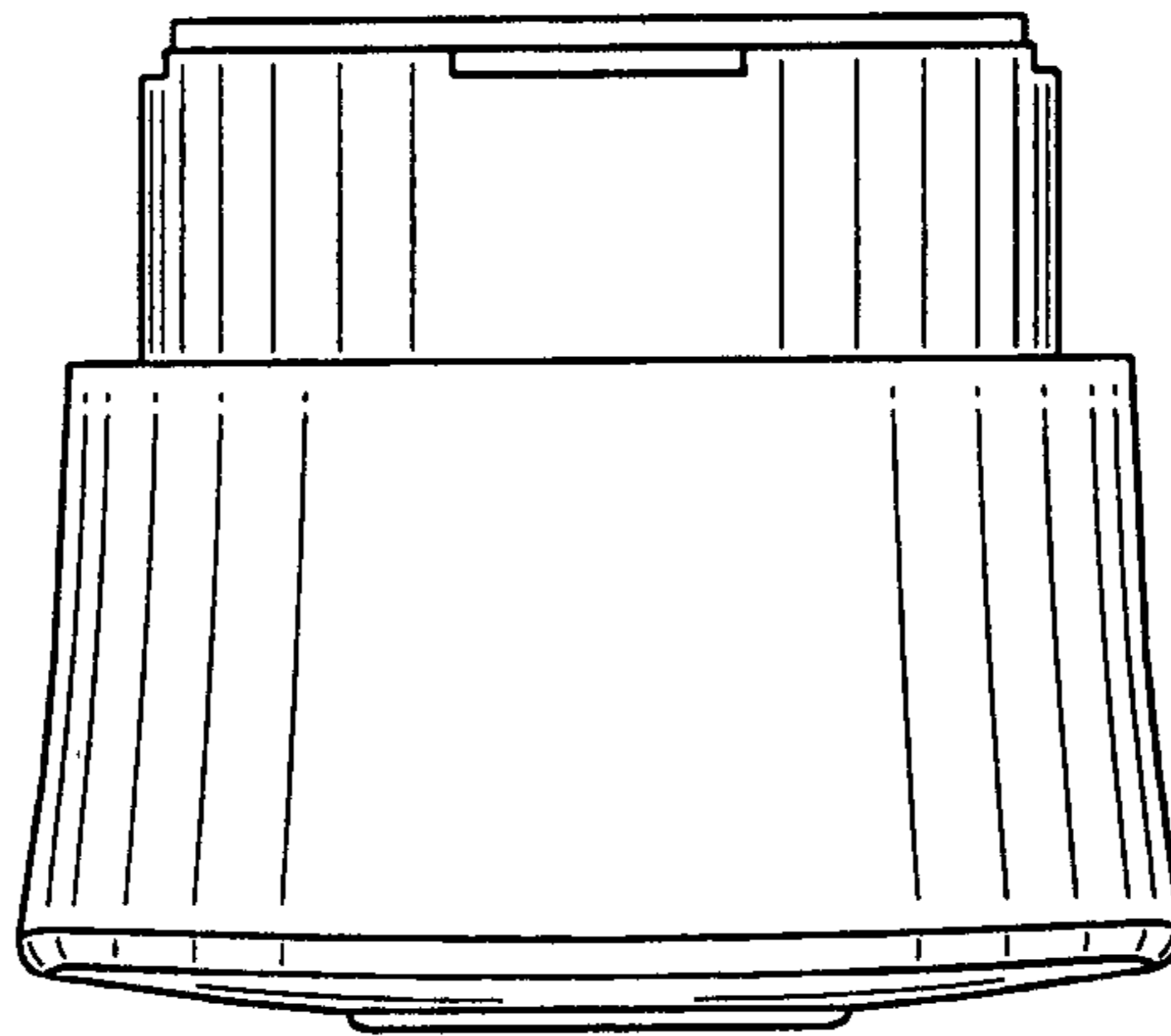


Fig.5

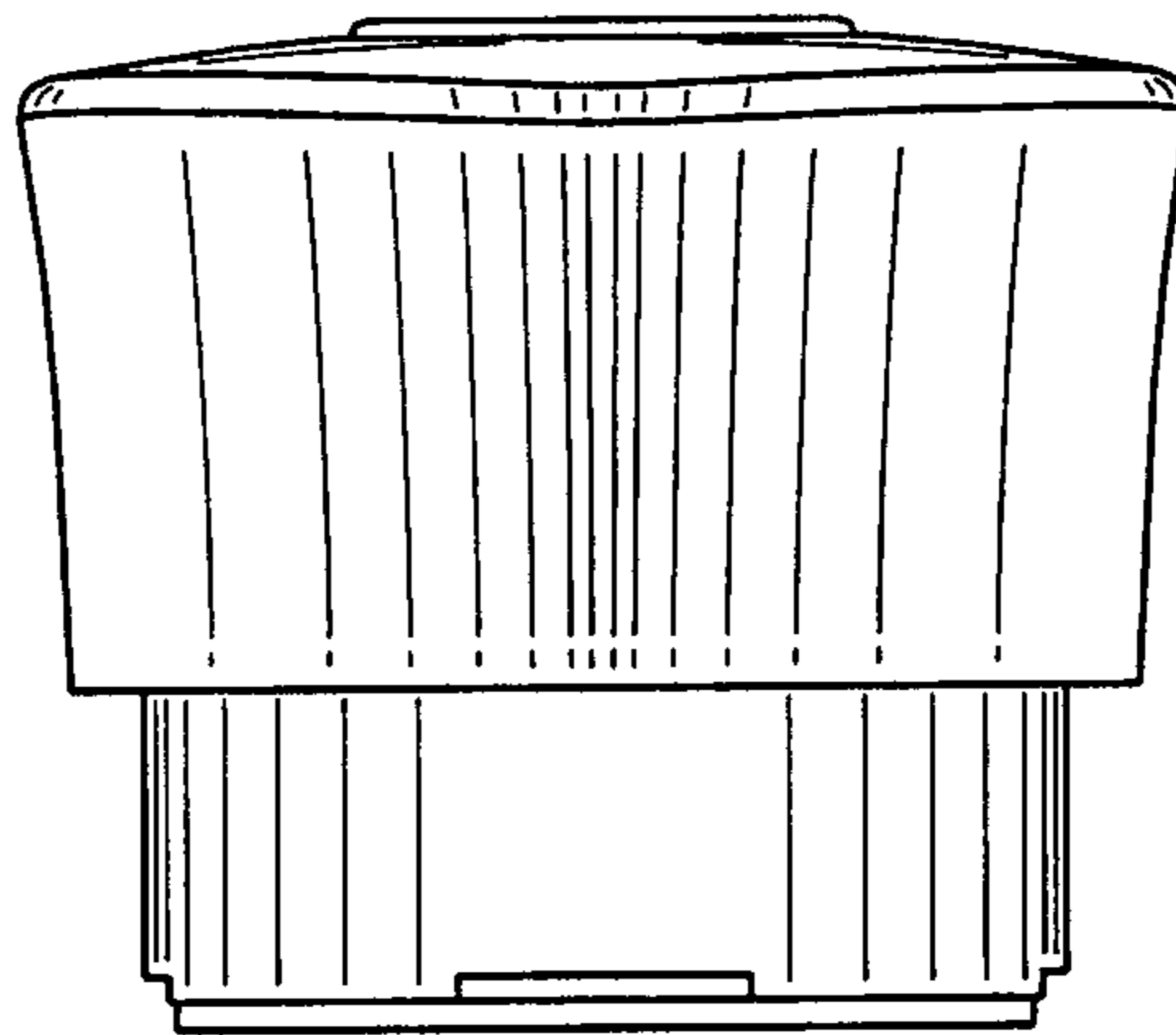


Fig.6

