



US00D559797S

(12) **United States Design Patent**  
**Neveu**

(10) **Patent No.:** **US D559,797 S**

(45) **Date of Patent:** **\*\* Jan. 15, 2008**

(54) **ELECTRICAL ENERGY CONTROL SWITCH**

(75) Inventor: **Stephane Neveu**, Strasbourg (FR)

(73) Assignees: **Legrand France**, Limoges (FR);  
**Legrand SNC**, Limoges (FR)

(\*\*) Term: **14 Years**

(21) Appl. No.: **29/269,752**

(22) Filed: **Dec. 8, 2006**

(30) **Foreign Application Priority Data**

Jun. 12, 2006 (EM) ..... 000545603

(51) **LOC (8) Cl.** ..... **13-03**

(52) **U.S. Cl.** ..... **D13/174**

(58) **Field of Classification Search** ..... D13/158,  
D13/160-164, 177, 184; 200/11 R, 16 B;  
204/297; 205/118; D23/250-252; D8/310-312;  
D14/217

See application file for complete search history.

(56) **References Cited**

**U.S. PATENT DOCUMENTS**

D344,930 S \* 3/1994 Schaeffer ..... D13/171  
D362,841 S \* 10/1995 Roza ..... D13/171  
D377,337 S \* 1/1997 Schaeffer ..... D13/171  
D432,997 S \* 10/2000 Bonn ..... D13/174

D441,346 S \* 5/2001 Bonn ..... D13/174  
D463,381 S \* 9/2002 Westermann ..... D13/167  
D469,411 S \* 1/2003 Decosse ..... D13/174  
D492,311 S \* 6/2004 Suzuki ..... D14/402  
D511,290 S \* 11/2005 Coudurier ..... D8/310  
D514,528 S \* 2/2006 Beaton ..... D13/171  
D523,114 S \* 6/2006 Schaffeld et al. .... D23/249  
D527,611 S \* 9/2006 Sato ..... D8/310  
2006/0065511 A1 \* 3/2006 Yamasaki et al. .... 200/5 R

\* cited by examiner

*Primary Examiner*—Selina Sikder

*Assistant Examiner*—Thomas J Johannes

(74) *Attorney, Agent, or Firm*—Young & Thompson

(57) **CLAIM**

The ornamental design for an <<electrical energy control switch>>, as shown.

**DESCRIPTION**

FIG. 1 is a front elevational view thereof;  
FIG. 2 is a left side elevational view thereof;  
FIG. 3 is a right side elevational view thereof;  
FIG. 4 is a top view thereof;  
FIG. 5 is a bottom view thereof; and,  
FIG. 6 is a perspective view.

**1 Claim, 2 Drawing Sheets**

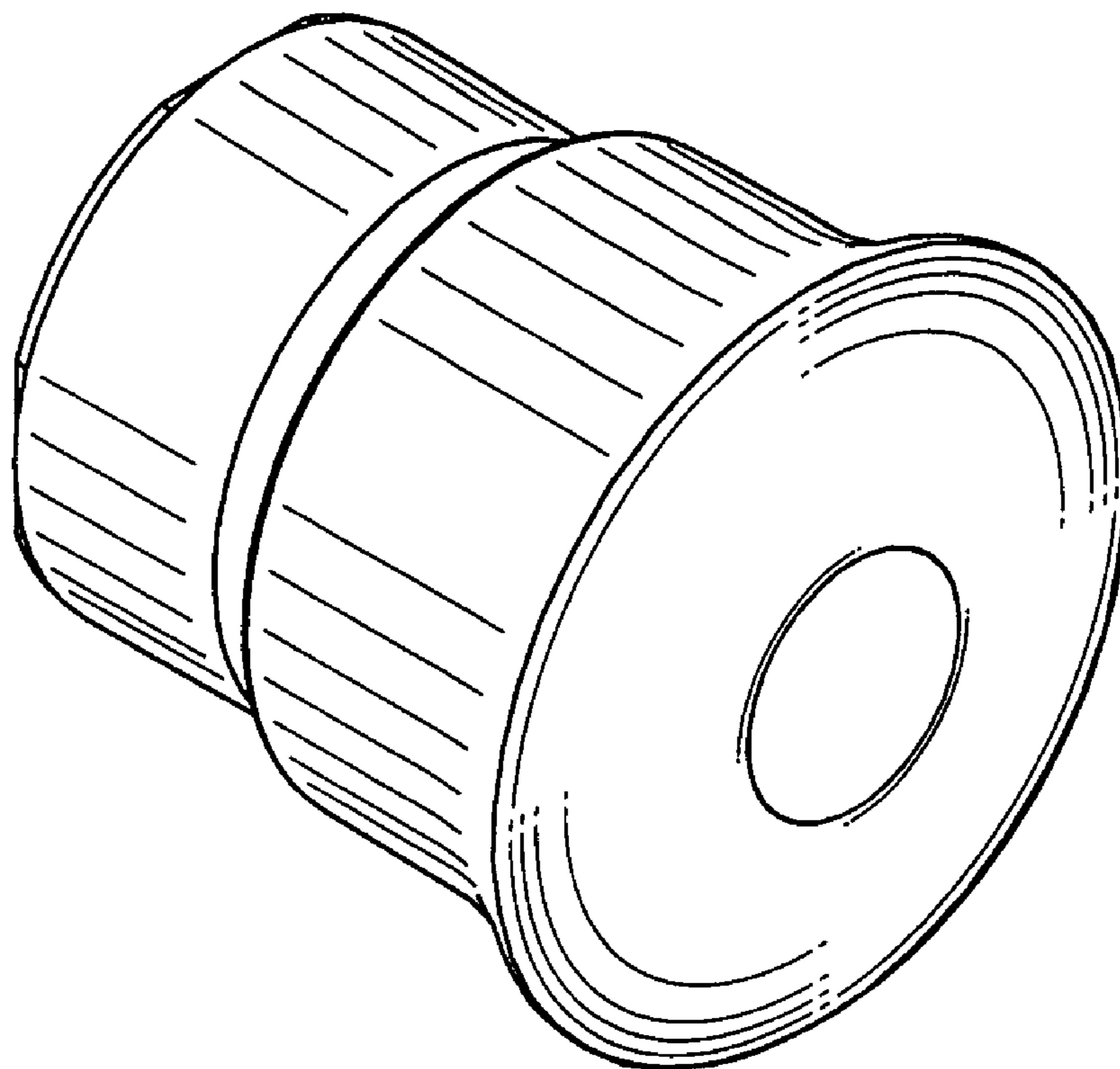


Fig.1

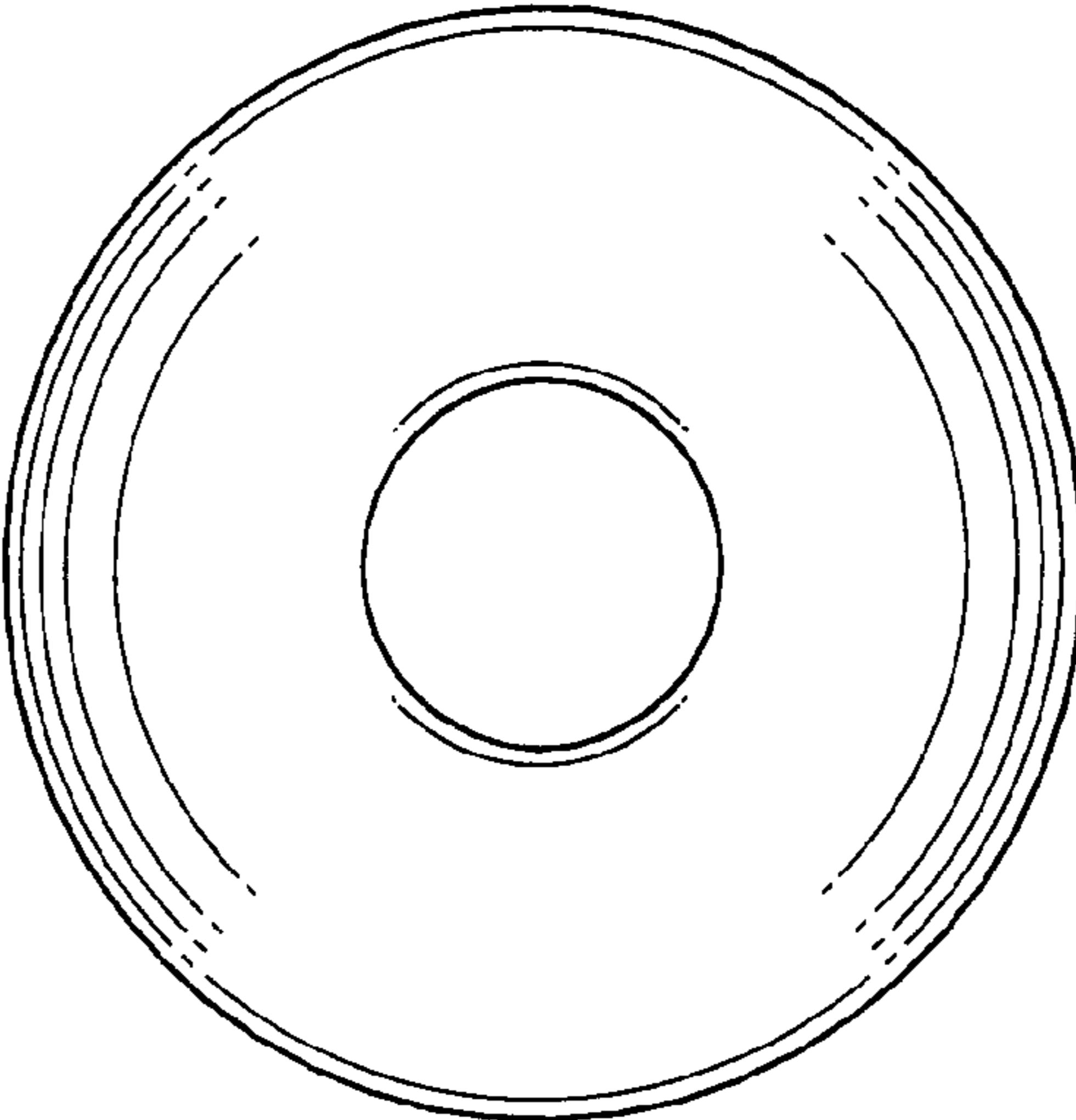


Fig.2

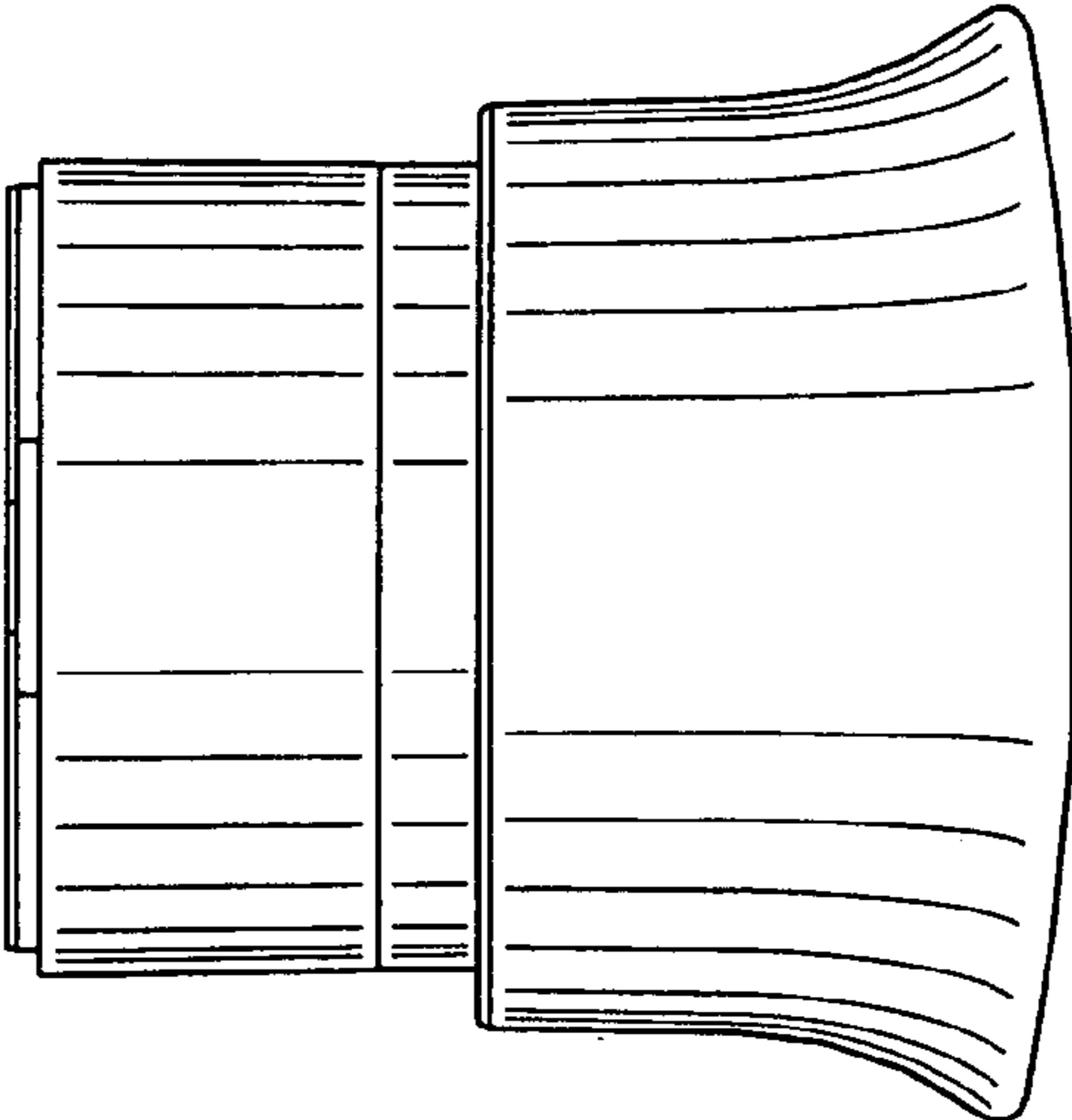


Fig.3

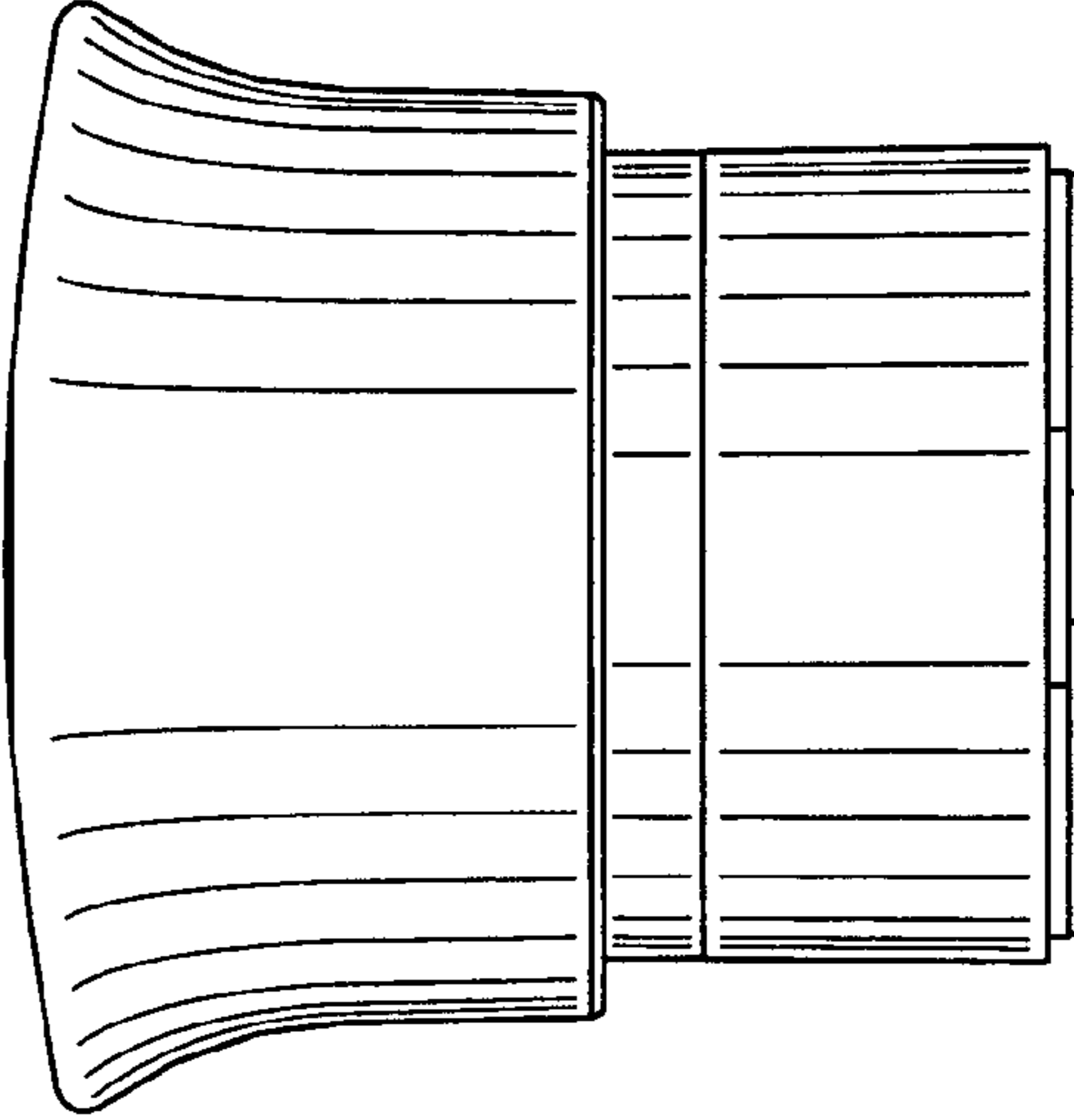


Fig.4

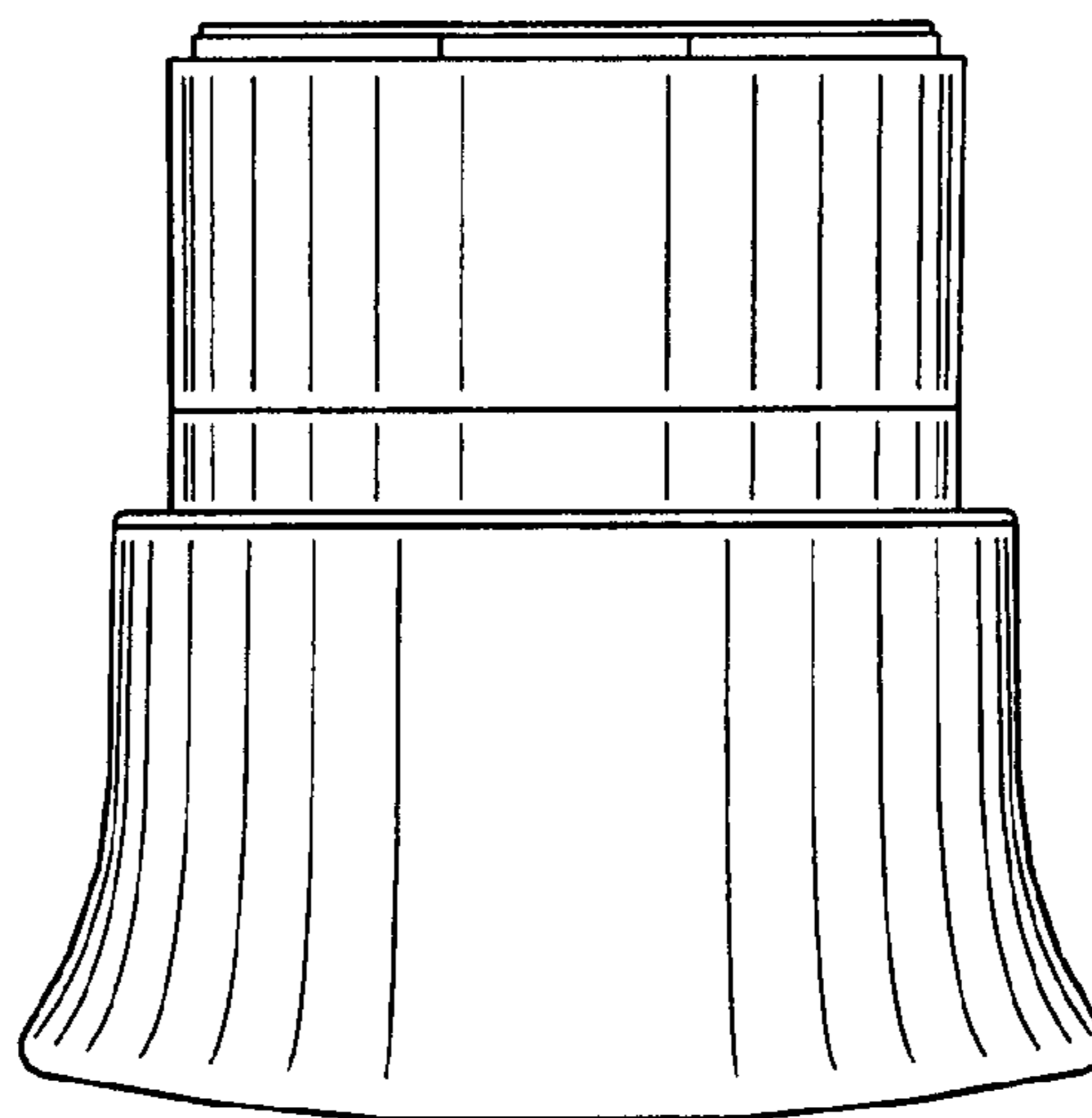


Fig.5

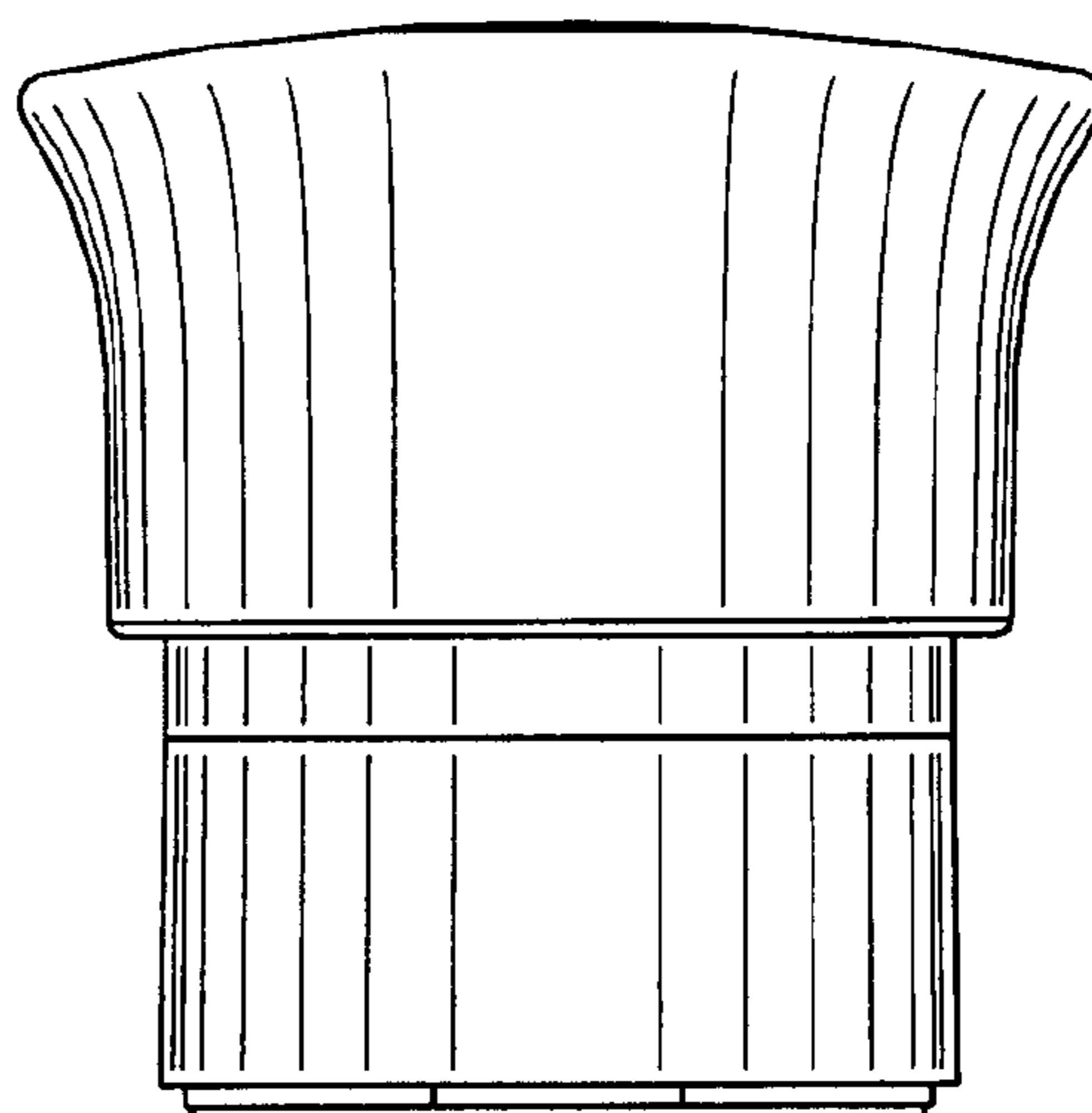


Fig.6

