

US00D559796S

(12) **United States Design Patent**  
**DeSorbo**

(10) **Patent No.:** **US D559,796 S**

(45) **Date of Patent:** **\*\* Jan. 15, 2008**

(54) **ELECTRONIC DEVICE MOUNTING PLATE**

D425,070 S \* 5/2000 Johnson ..... D14/239  
D470,462 S \* 2/2003 Fayfield et al. .... D13/165

(75) Inventor: **Alexander P. DeSorbo**, Woodbury, CT (US)

\* cited by examiner

(73) Assignee: **Anton/Bauer, Inc.**, Shelton, CT (US)

*Primary Examiner*—Selina Sikder

*Assistant Examiner*—Thomas J Johannes

(\*\*) Term: **14 Years**

(74) *Attorney, Agent, or Firm*—McCormick, Paulding & Huber LLP

(21) Appl. No.: **29/258,516**

(57) **CLAIM**

(22) Filed: **Apr. 21, 2006**

The ornamental design for an electronic device mounting plate, as shown and described.

(51) **LOC (8) Cl.** ..... **13-03**

(52) **U.S. Cl.** ..... **D13/173**

(58) **Field of Classification Search** ..... D13/165,  
D13/171, 173, 184, 158, 177; D26/140;  
D8/373; D14/239; 348/375

See application file for complete search history.

**DESCRIPTION**

FIG. 1 is a perspective view of an electronic device mounting plate, showing my new design, in an operating environment condition;

FIG. 2 is a perspective view thereof;

FIG. 3 is a top view thereof;

FIG. 4 is a bottom view thereof;

FIG. 5 is a front end view thereof;

FIG. 6 is a back view thereof;

FIG. 7 is a side view thereof; and,

FIG. 8 is an opposite side view thereof.

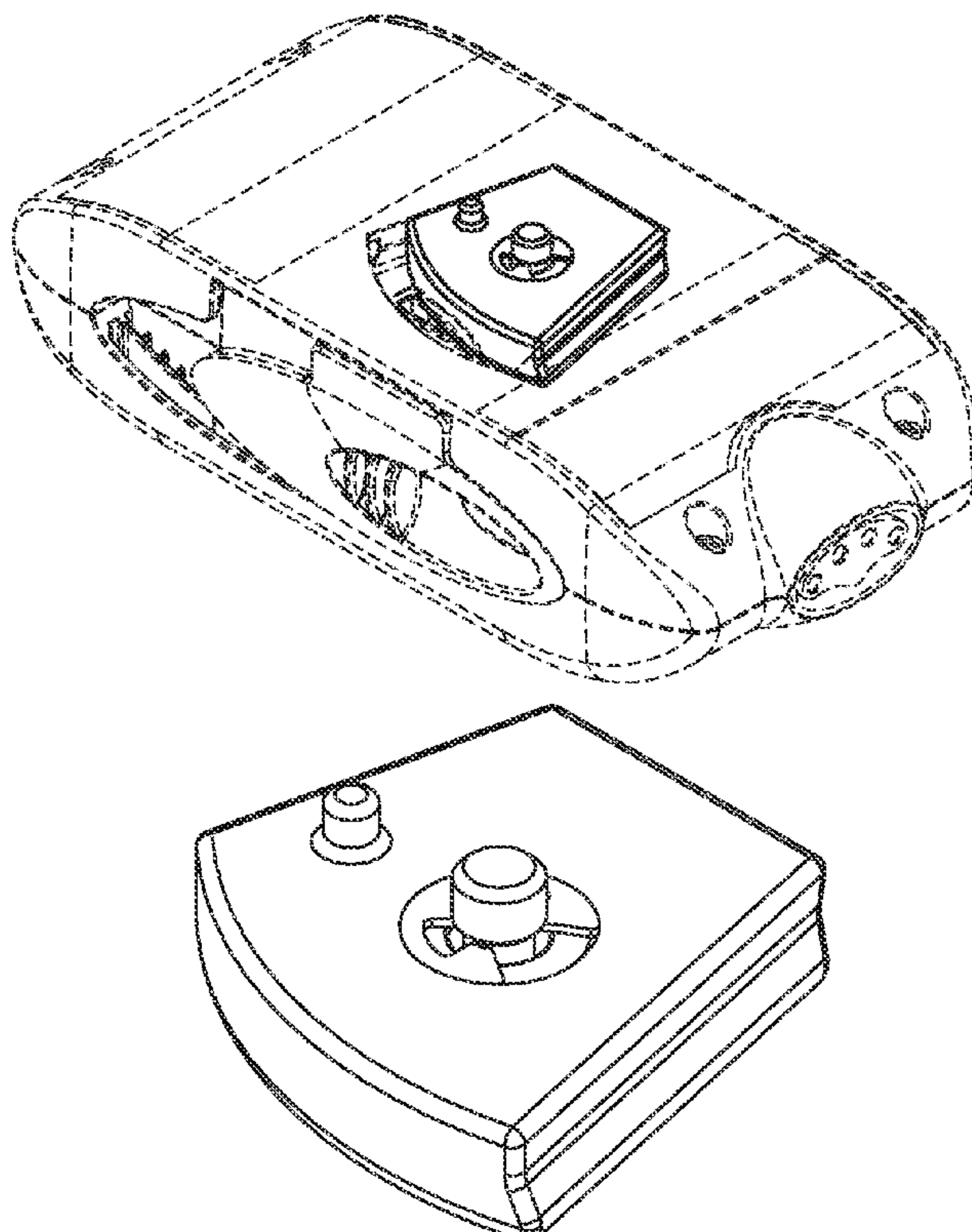
The broken line showing in FIG. 1 is included for the purpose of illustrating environmental detail and forms no part of the claimed design.

(56) **References Cited**

U.S. PATENT DOCUMENTS

D268,669	S	*	4/1983	Holce et al.	.....	D13/171
D273,783	S	*	5/1984	Holce et al.	.....	D13/184
D317,513	S	*	6/1991	Miller et al.	.....	D26/140
D318,139	S	*	7/1991	Miller et al.	.....	D26/140
D318,343	S	*	7/1991	Miller et al.	.....	D26/140
D320,094	S	*	9/1991	Miller et al.	.....	D26/140
5,119,203	A	*	6/1992	Hosaka et al.	.....	348/375
D343,786	S	*	2/1994	Hines et al.	.....	D8/373
D383,443	S	*	9/1997	Nelson	.....	D13/184
D384,334	S	*	9/1997	Nelson	.....	D13/184
D384,335	S	*	9/1997	Nelson	.....	D13/184

**1 Claim, 2 Drawing Sheets**



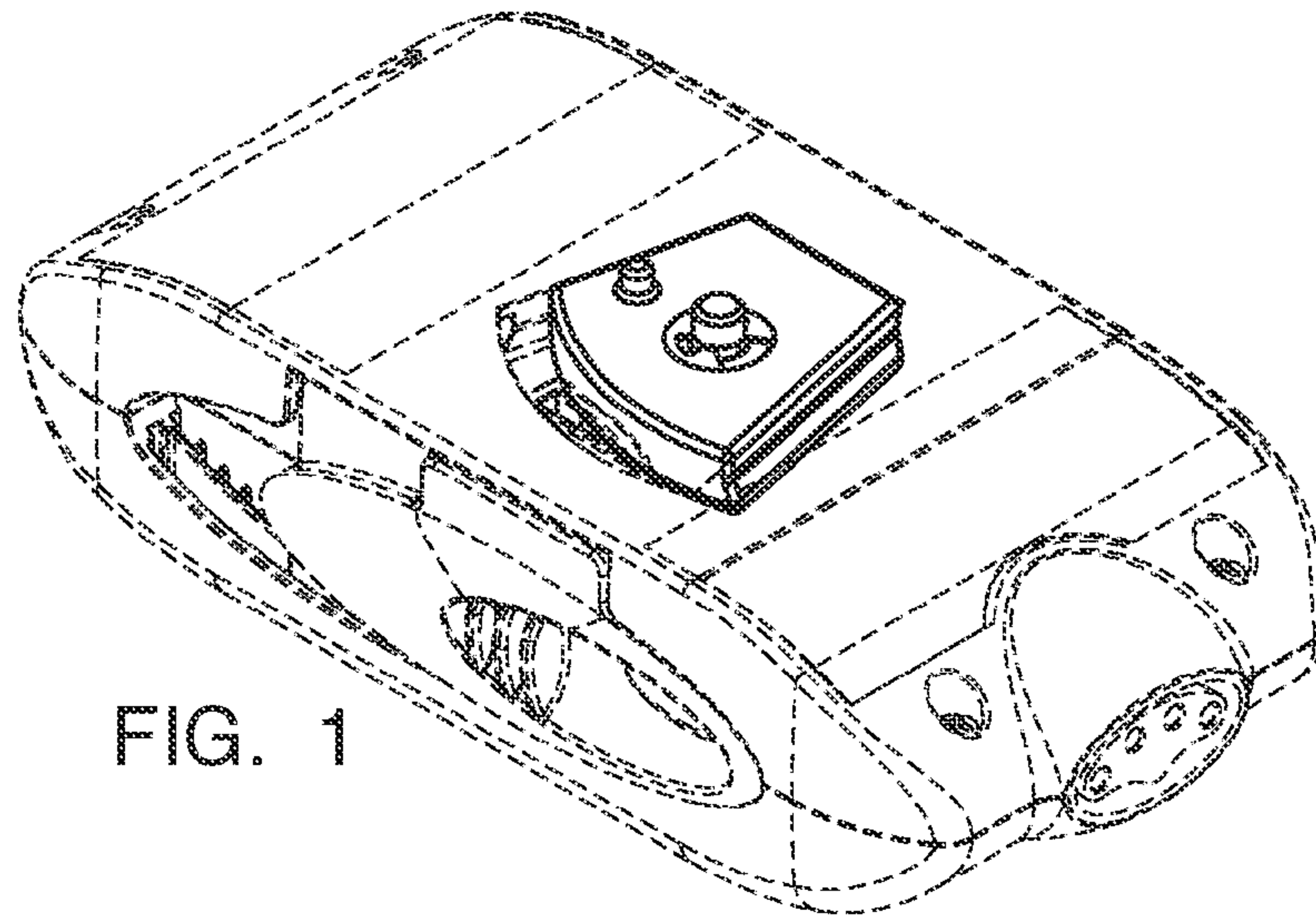


FIG. 1

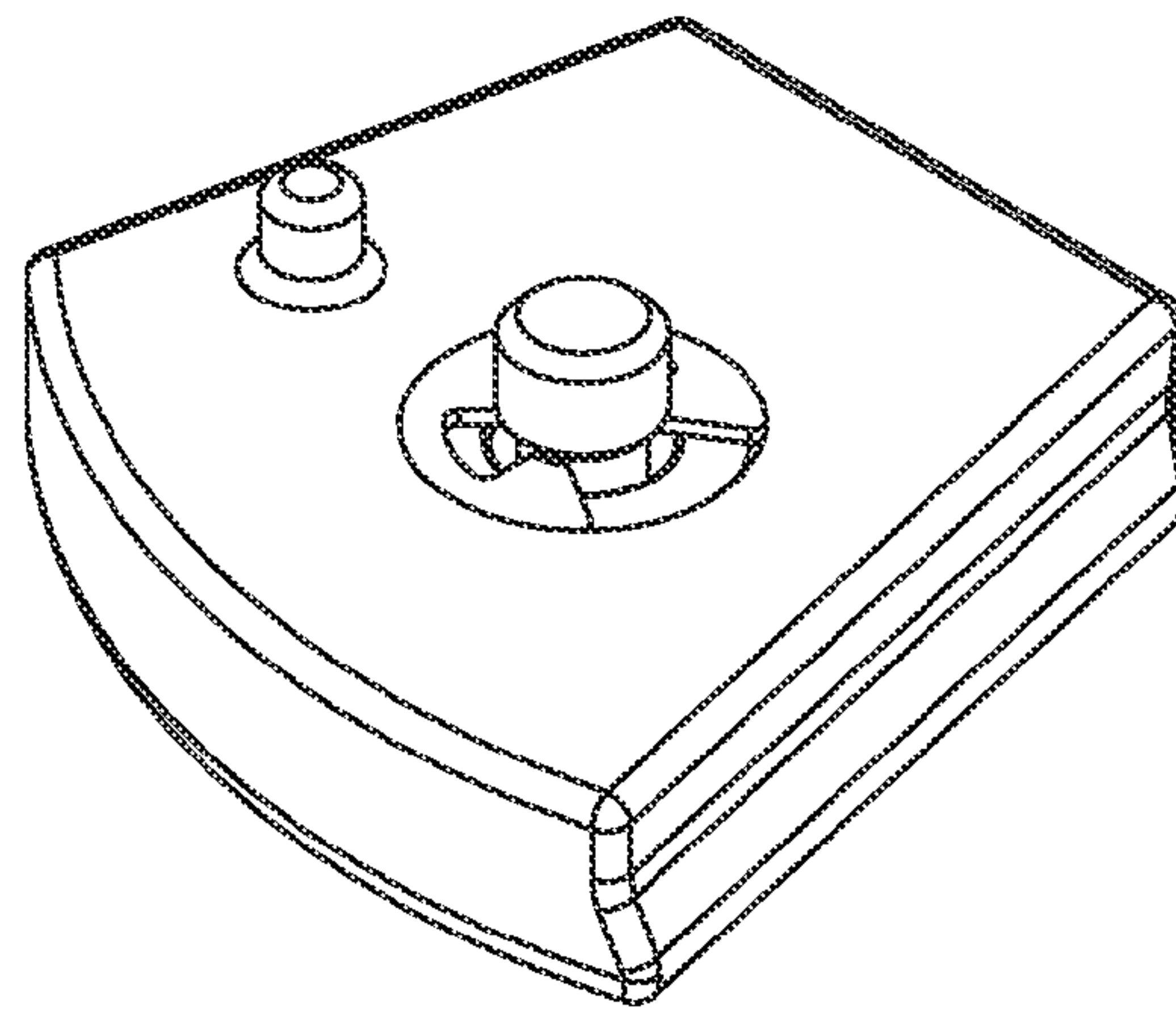


FIG. 2

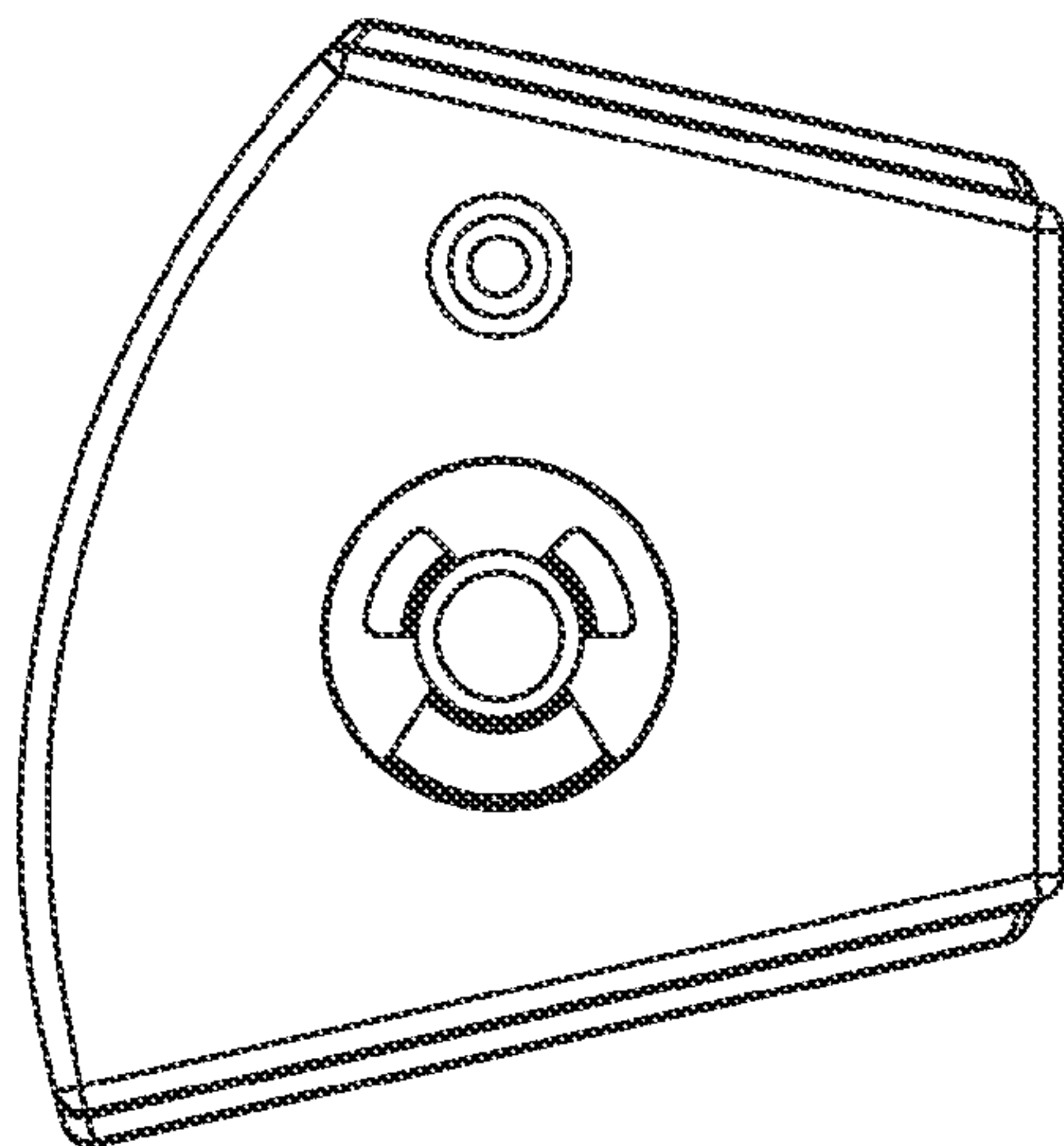


FIG. 3

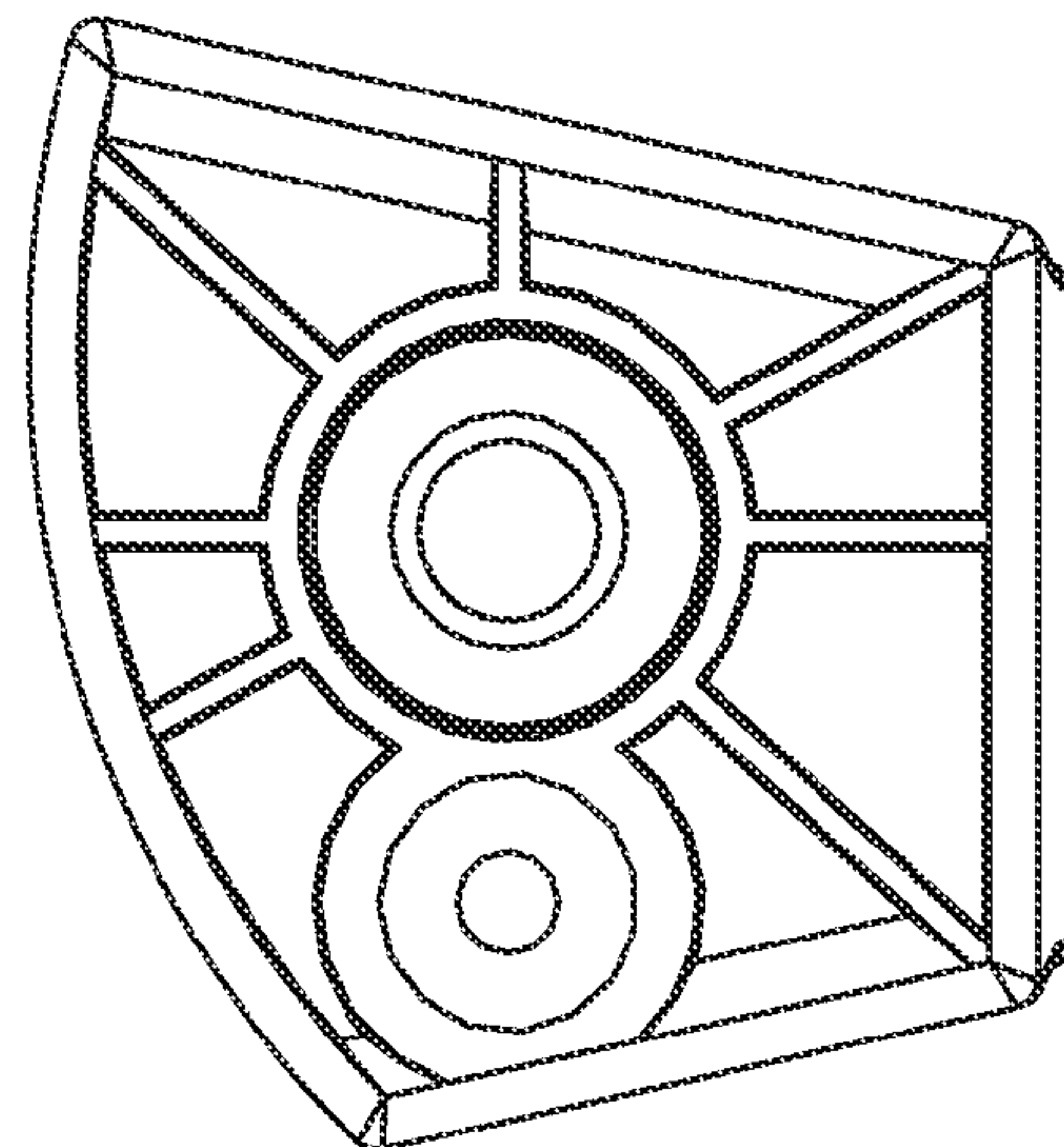


FIG. 4

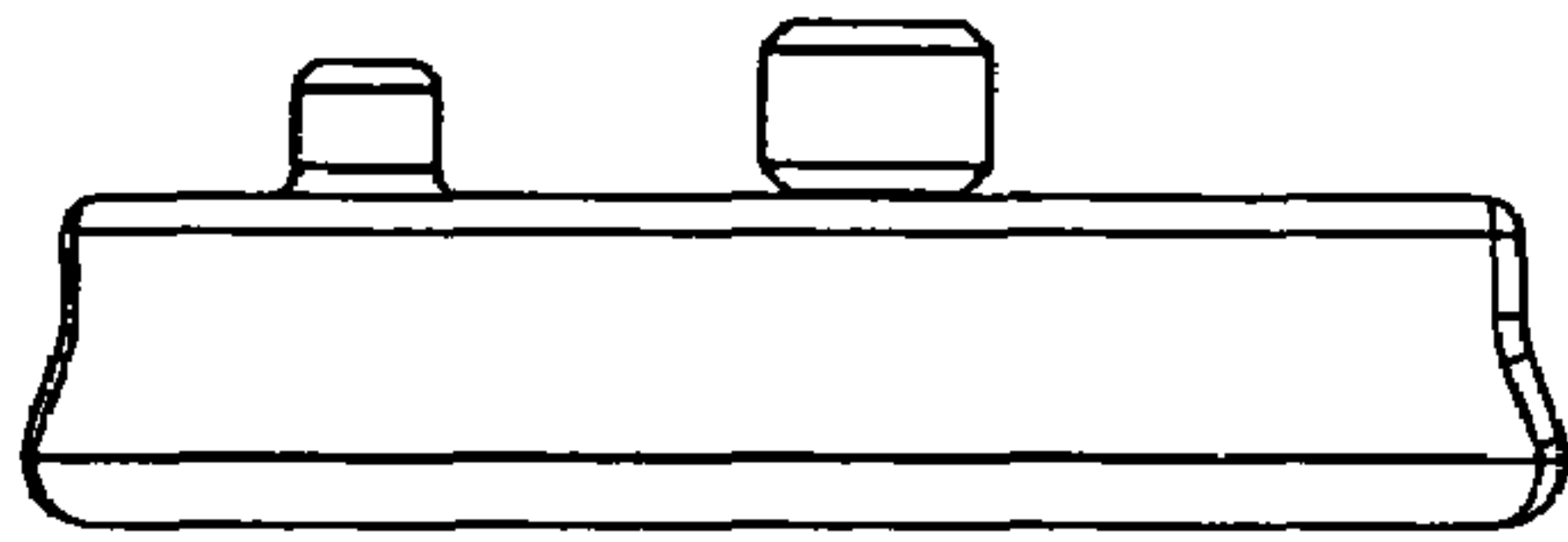


FIG. 5

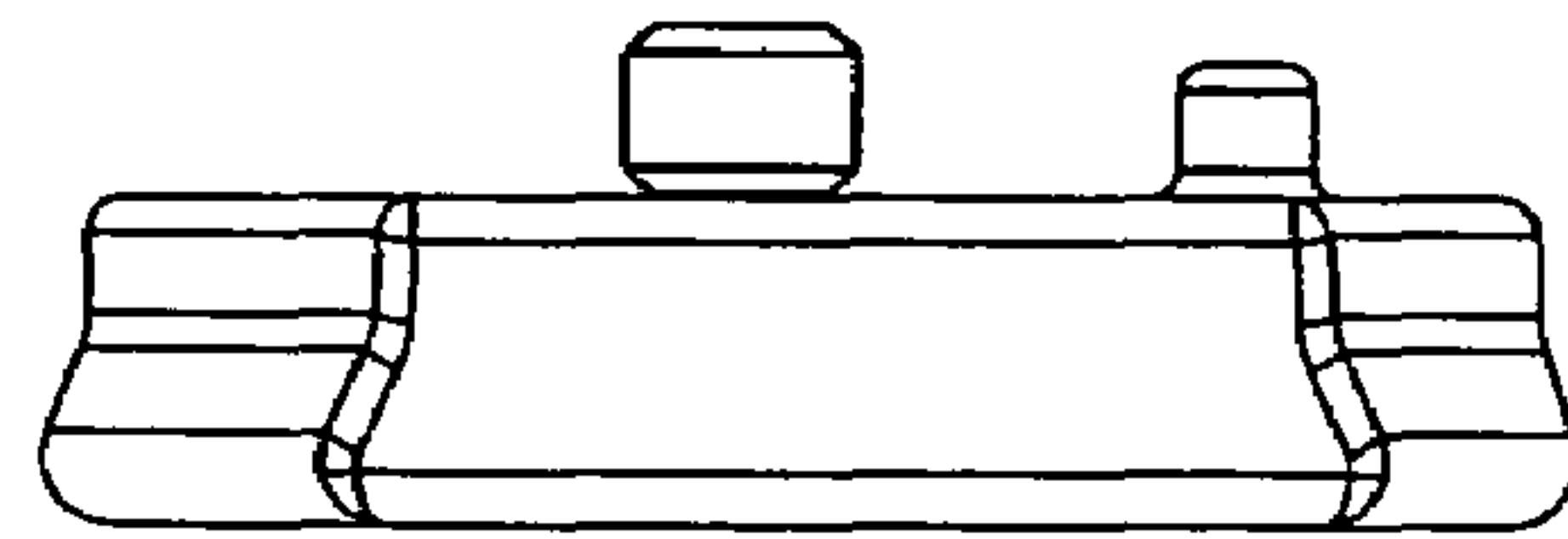


FIG. 6

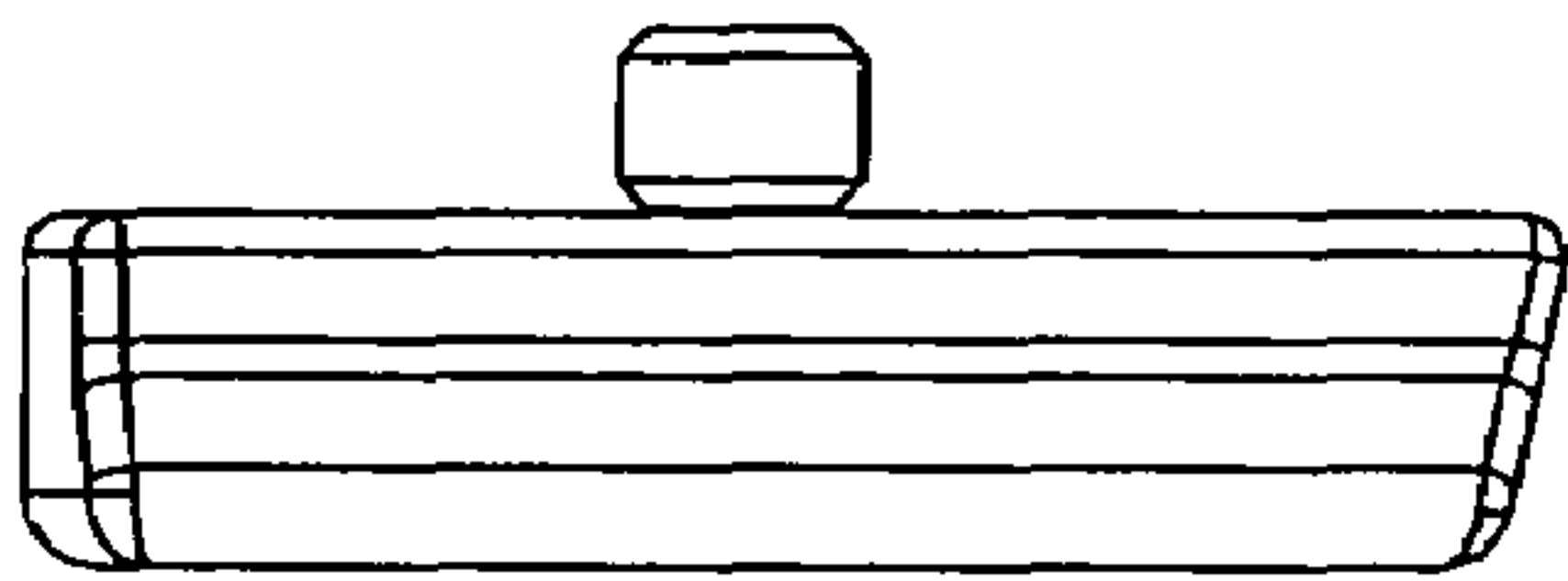


FIG. 7

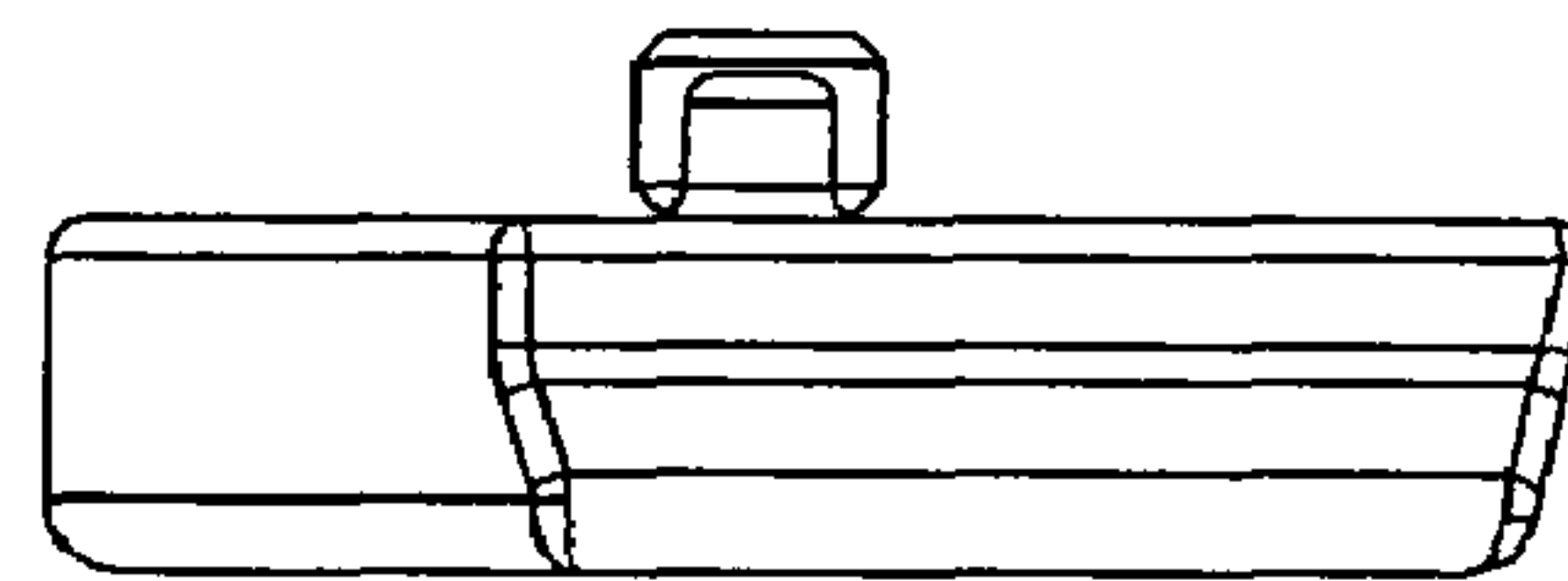


FIG. 8