



US00D559795S

(12) **United States Design Patent**
Valentin et al.

(10) **Patent No.:** **US D559,795 S**
(45) **Date of Patent:** **** Jan. 15, 2008**

(54) **MOTORQUICK SWITCH**

(75) Inventors: **William Valentin**, Meriden, CT (US);
Steve Scharff, Cheshire, CT (US); **Roy Itzler**, Orange, CT (US)

(73) Assignee: **Hubbell Incorporated**, Orange, CT (US)

(**) Term: **14 Years**

(21) Appl. No.: **29/252,660**

(22) Filed: **Jan. 26, 2006**

(51) **LOC (8) Cl.** **13-03**

(52) **U.S. Cl.** **D13/171**

(58) **Field of Classification Search** D13/133,
D13/137.3, 151, 160, 168, 171, 177; 333/105,
333/107, 177

See application file for complete search history.

(56) **References Cited**

U.S. PATENT DOCUMENTS

2,397,688	A	4/1946	Osinski	
2,433,917	A	1/1948	McCartney	
2,697,767	A *	12/1954	Randolph	333/107
D194,106	S *	11/1962	Monson	D13/168
3,437,738	A	4/1969	Wagner	
3,879,101	A	4/1975	McKissic	
4,695,811	A *	9/1987	Grellmann et al.	333/105
4,780,088	A	10/1988	Means	
4,855,699	A *	8/1989	Hoegh	335/177
D307,579	S *	5/1990	Layne et al.	D13/137.3
5,399,806	A	3/1995	Olson	
D391,227	S *	2/1998	Dickey	D13/133
6,201,187	B1	3/2001	Burbine	
6,309,248	B1	10/2001	King	
6,786,766	B1	9/2004	Chopra	
6,870,099	B1	3/2005	Schultz et al.	
D513,496	S *	1/2006	Ikegami	D13/160
D536,669	S *	2/2007	Pickens	D13/151

* cited by examiner

Primary Examiner—Selina Sikder

Assistant Examiner—Thomas J Johannes
(74) *Attorney, Agent, or Firm*—Jenae C. Avallone; Mark S. Bicks; Alfred N. Goodman

(57) **CLAIM**

The ornamental design for a motorquick switch, as shown and described.

DESCRIPTION

FIG. 1 is a front elevational view of the motorquick switch in accordance with a first embodiment of the present invention;

FIG. 2 is a rear elevational view thereof;

FIG. 3 is a left side elevational view thereof;

FIG. 4 is a right side elevational view thereof;

FIG. 5 is a top plan view thereof;

FIG. 6 is a bottom plan view thereof;

FIG. 7 is a front elevational view of the motorquick switch in accordance with a second embodiment of the present invention;

FIG. 8 is a rear elevational view thereof;

FIG. 9 is a left side elevational view thereof;

FIG. 10 is a right side elevational view thereof;

FIG. 11 is a top plan view thereof;

FIG. 12 is a bottom plan view thereof;

FIG. 13 is a front elevational view of the motorquick switch in accordance with a third embodiment of the present invention;

FIG. 14 is a rear elevational view thereof;

FIG. 15 is a left side elevational view thereof;

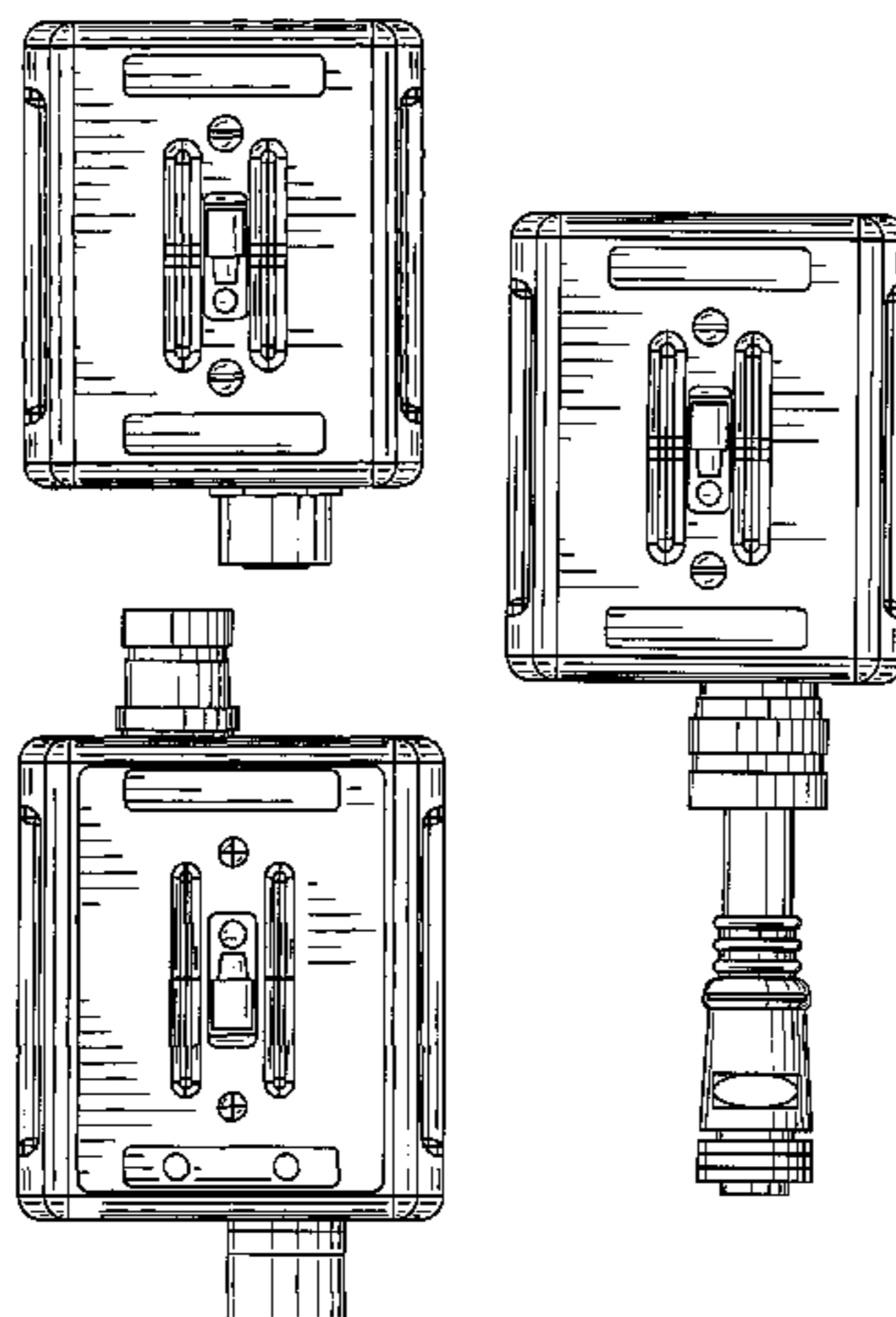
FIG. 16 is a right side elevational view thereof;

FIG. 17 is a top plan view thereof; and,

FIG. 18 is a bottom plan view thereof.

The broken line showing in the figure drawings is included for illustrative purposes only and forms no part of the claimed design.

1 Claim, 9 Drawing Sheets



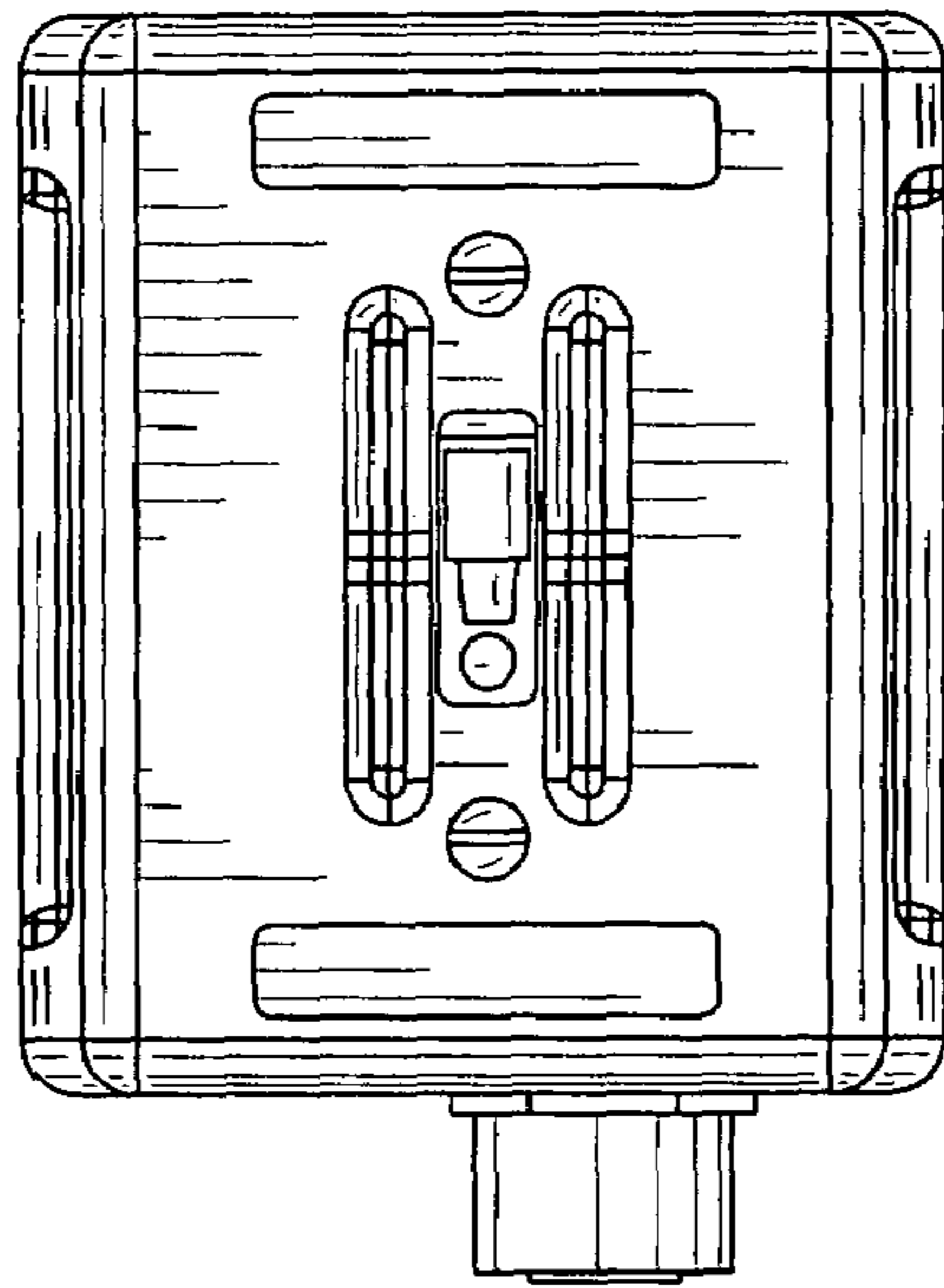


FIG. 1

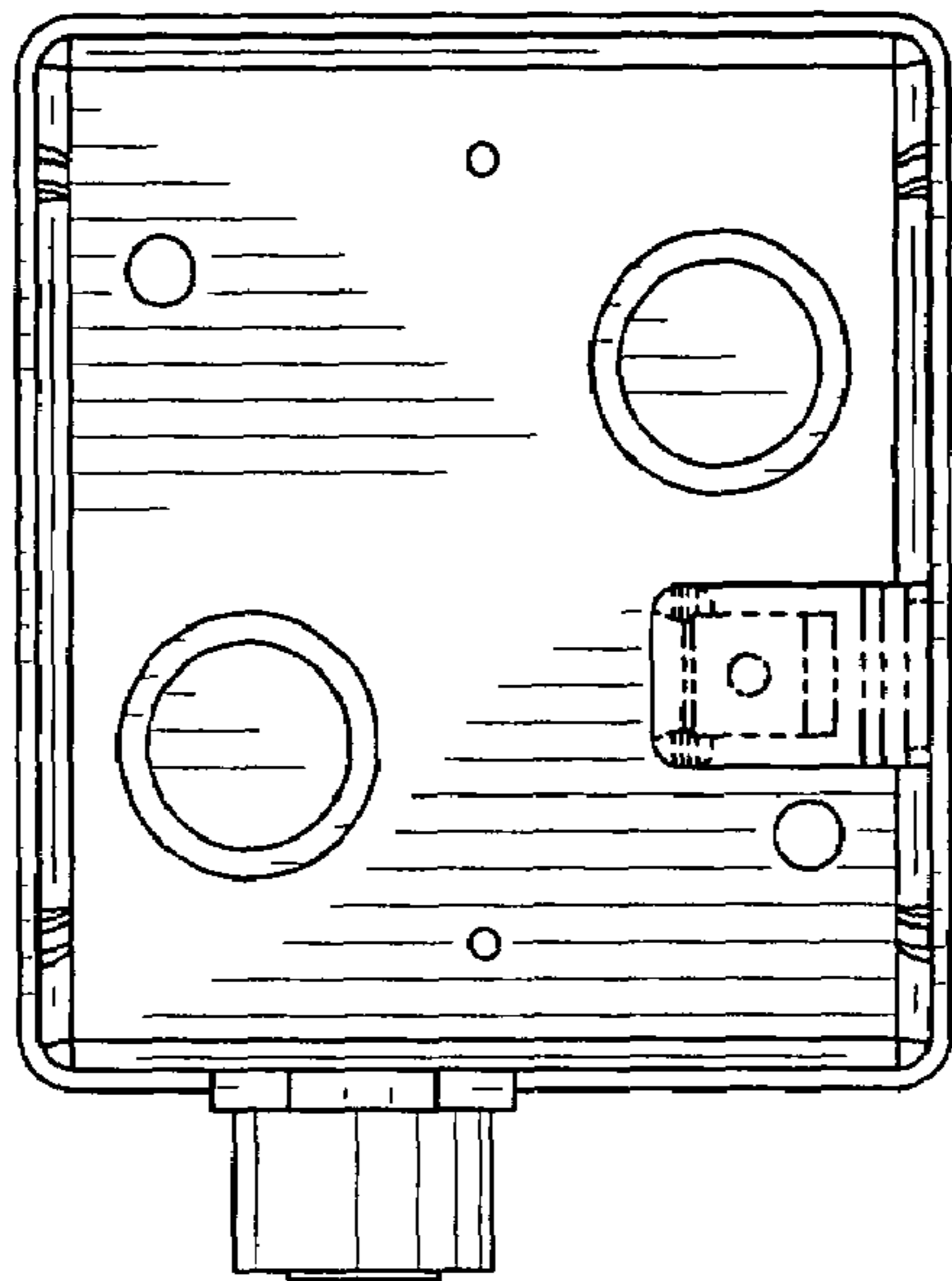


FIG. 2

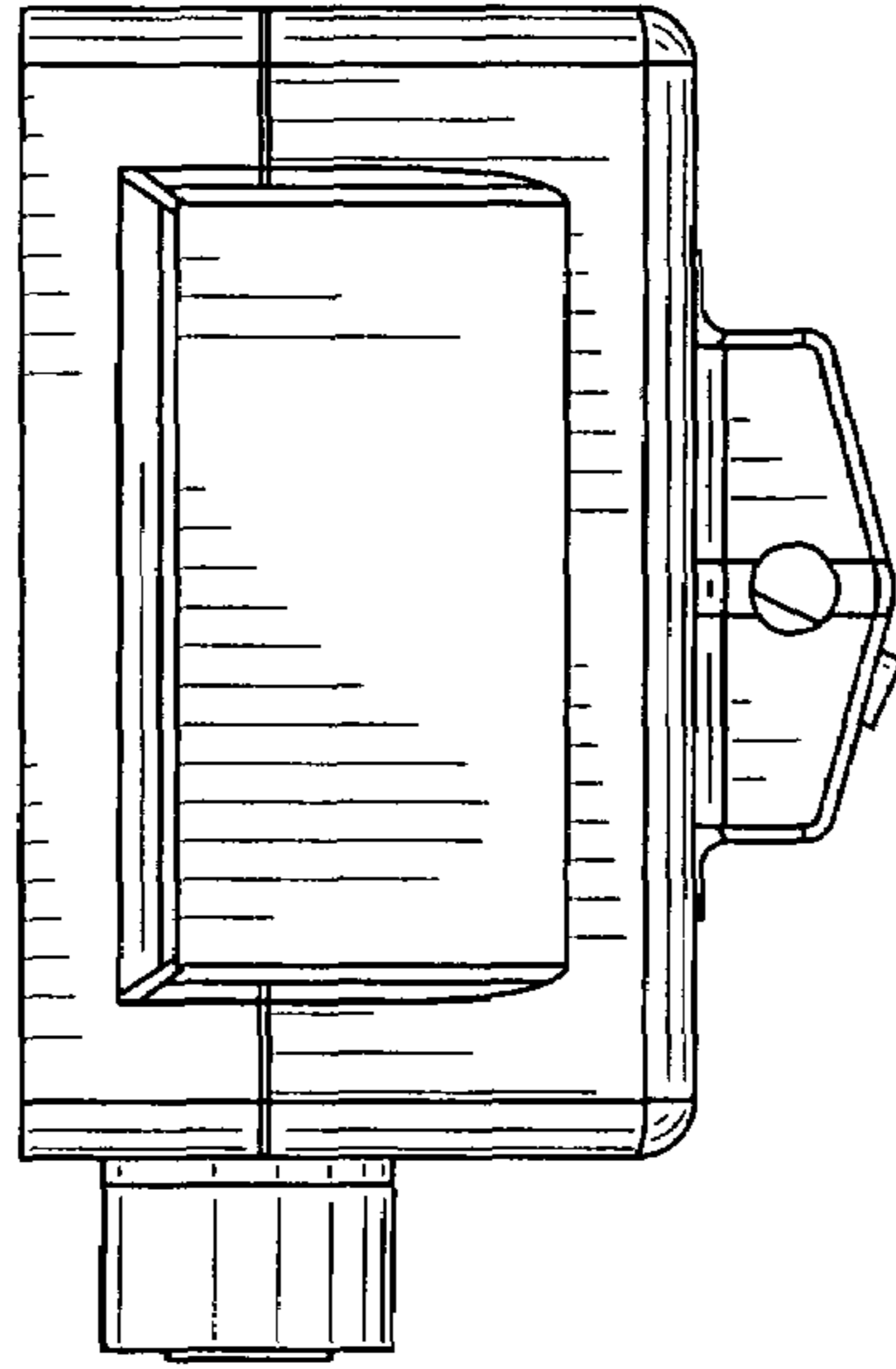


FIG. 3

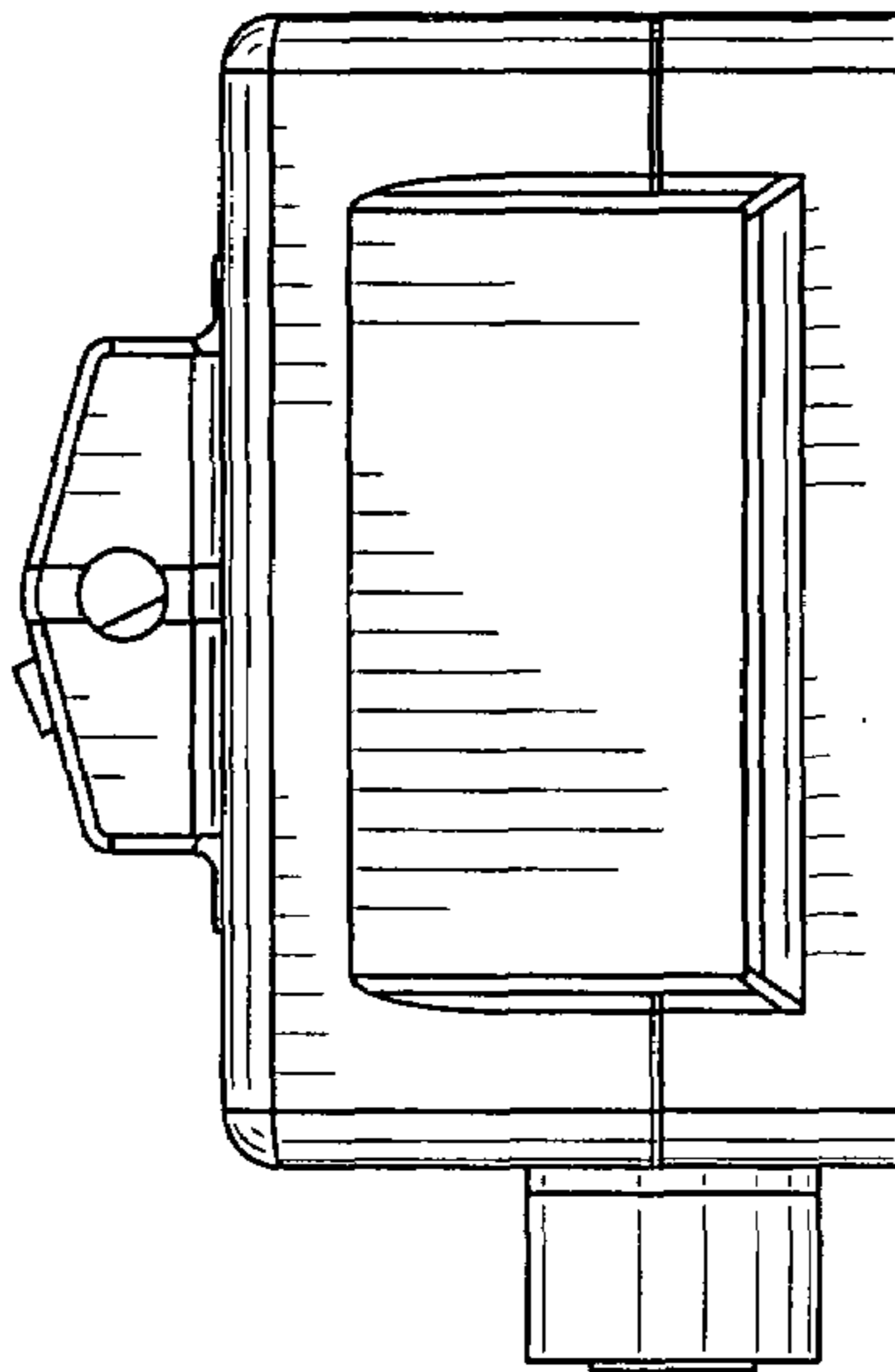


FIG. 4

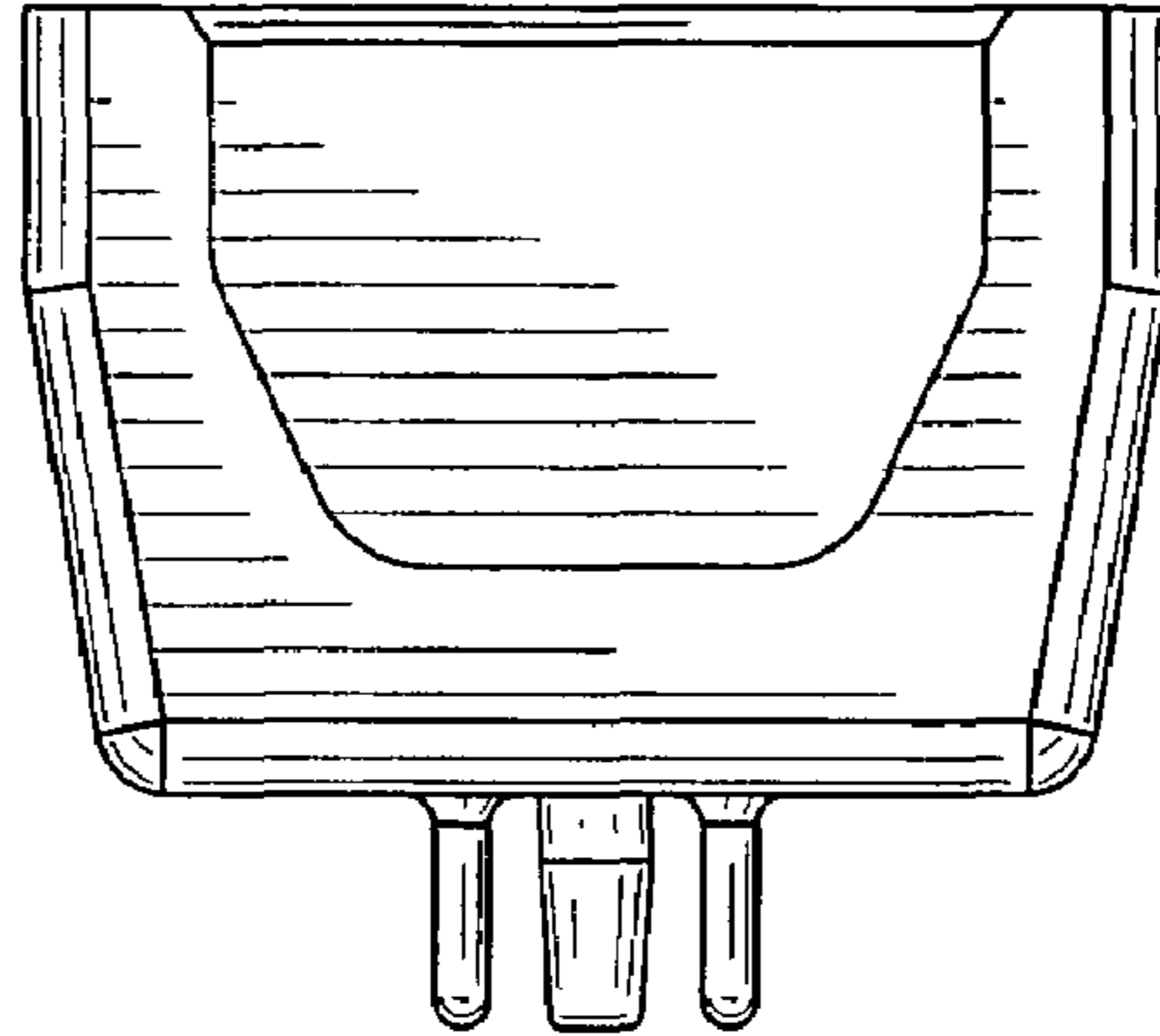


FIG. 5

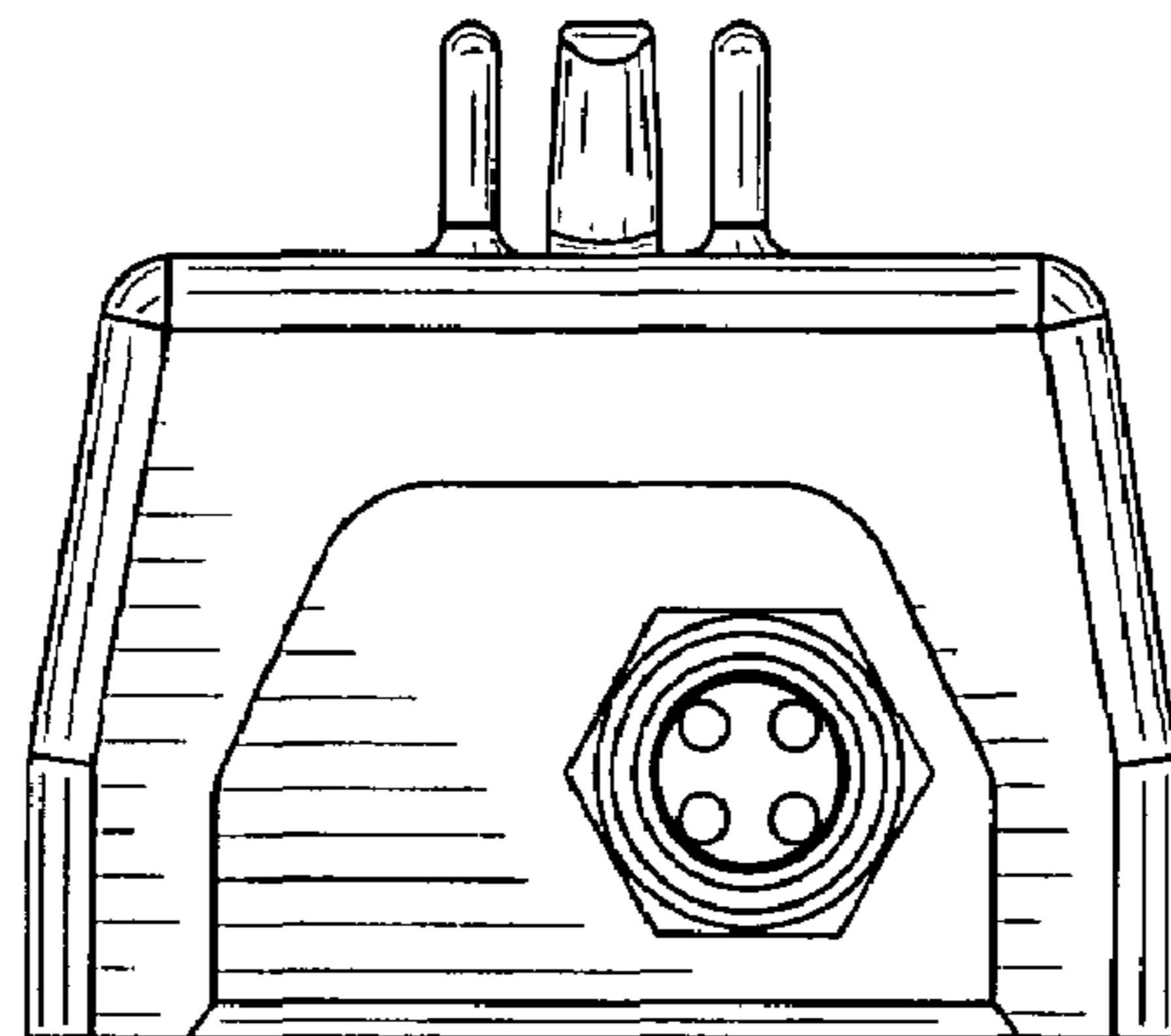


FIG. 6

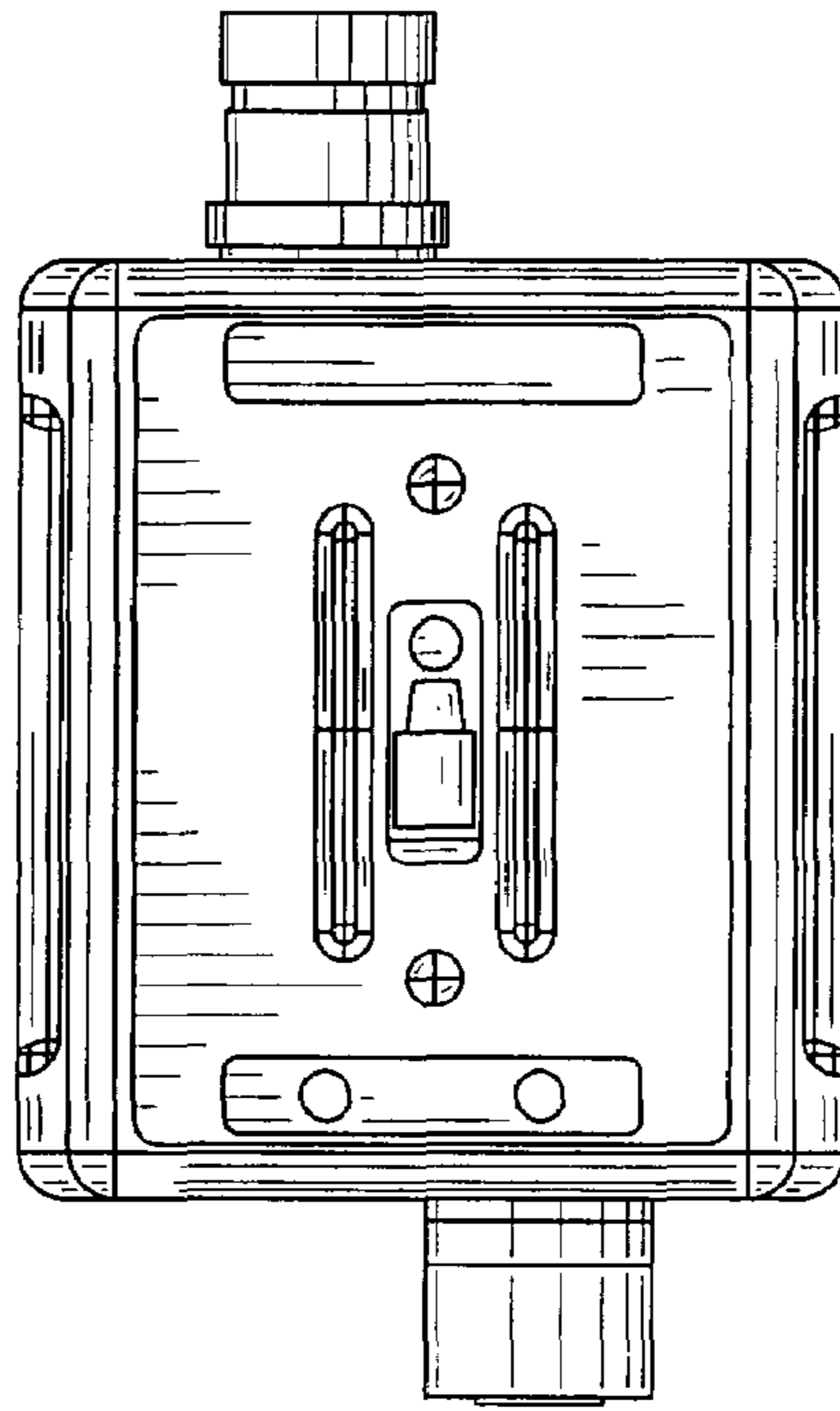


FIG. 7

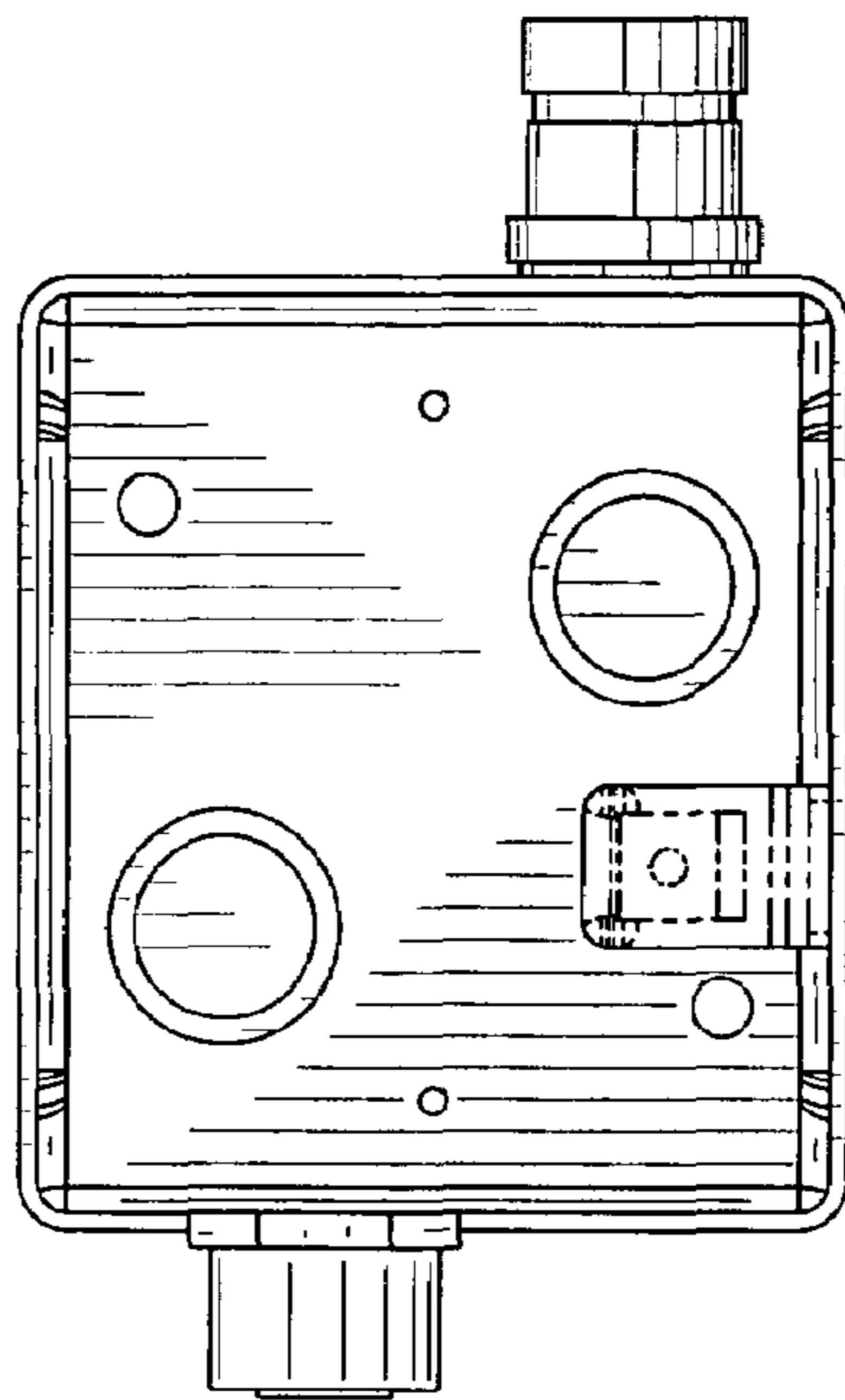


FIG. 8

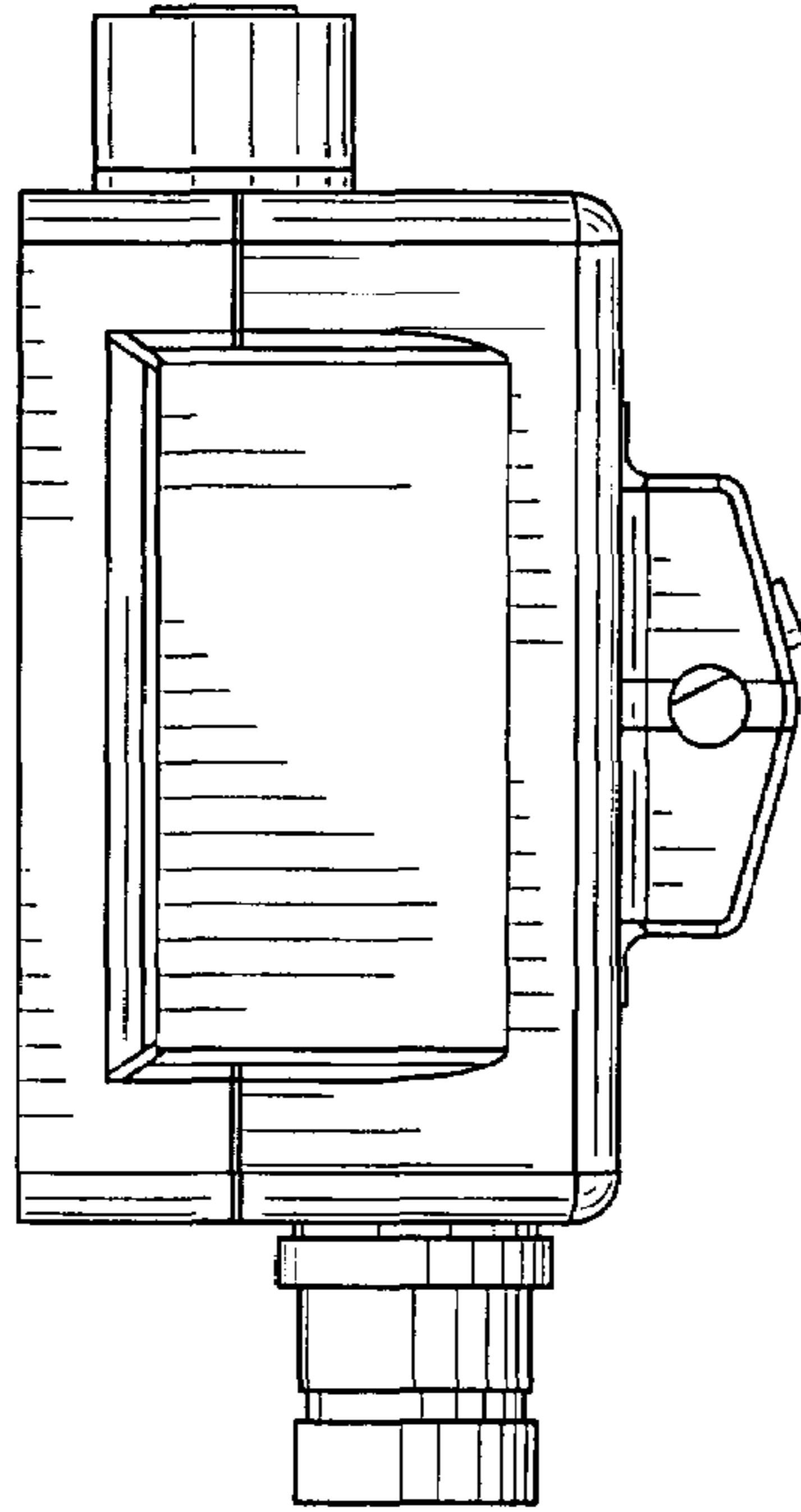


FIG. 9

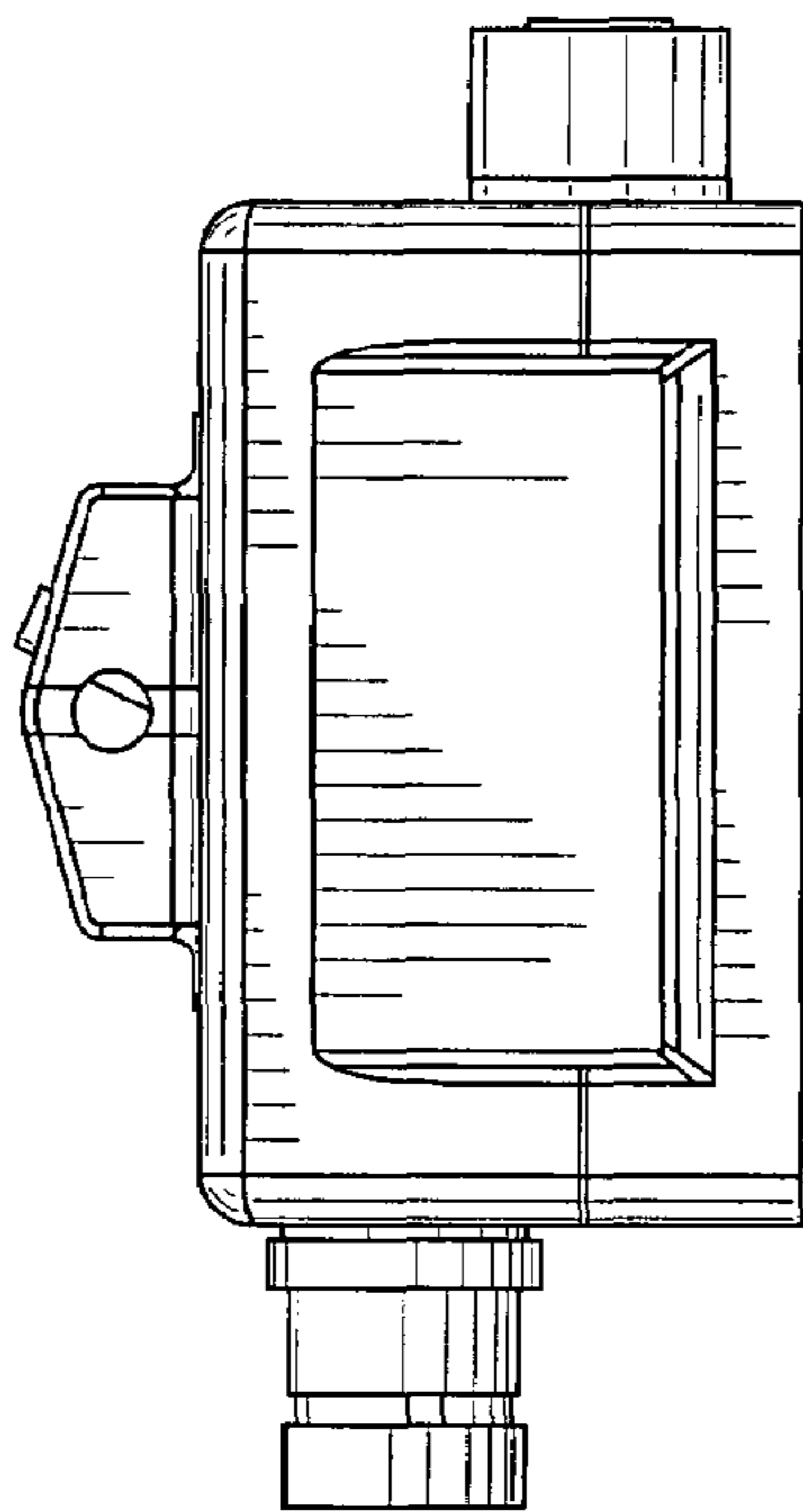


FIG. 10

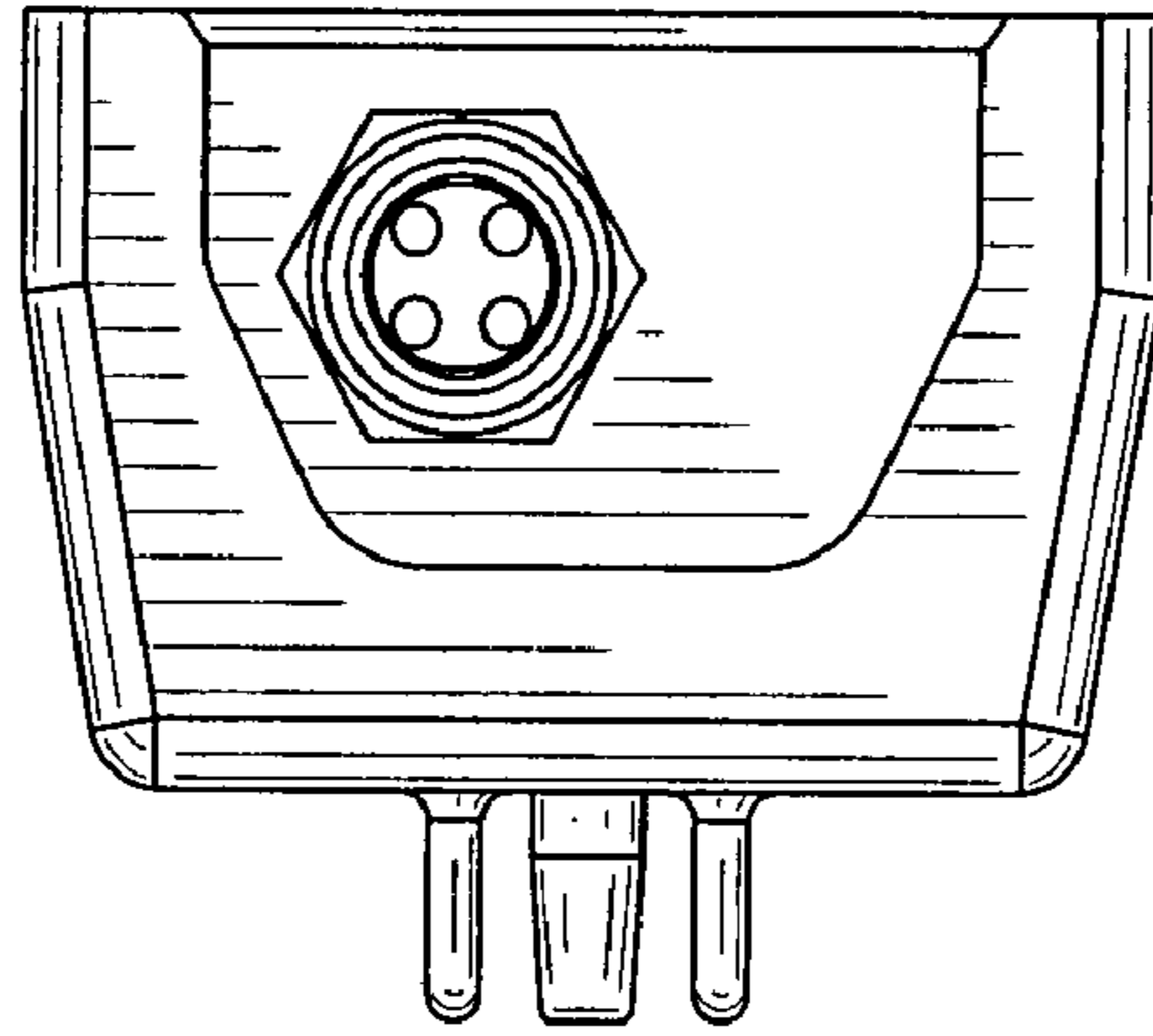


FIG. 11

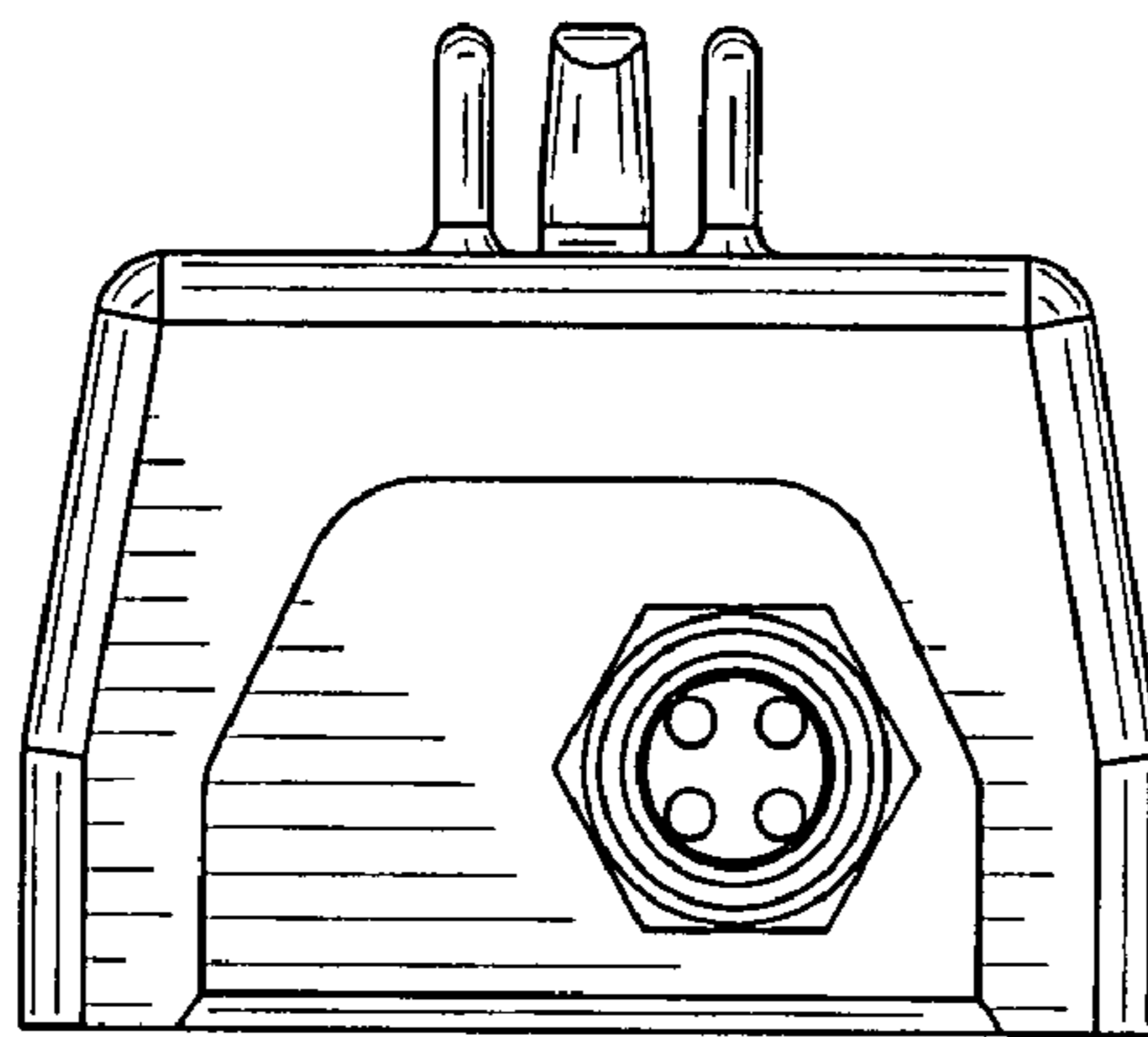


FIG. 12

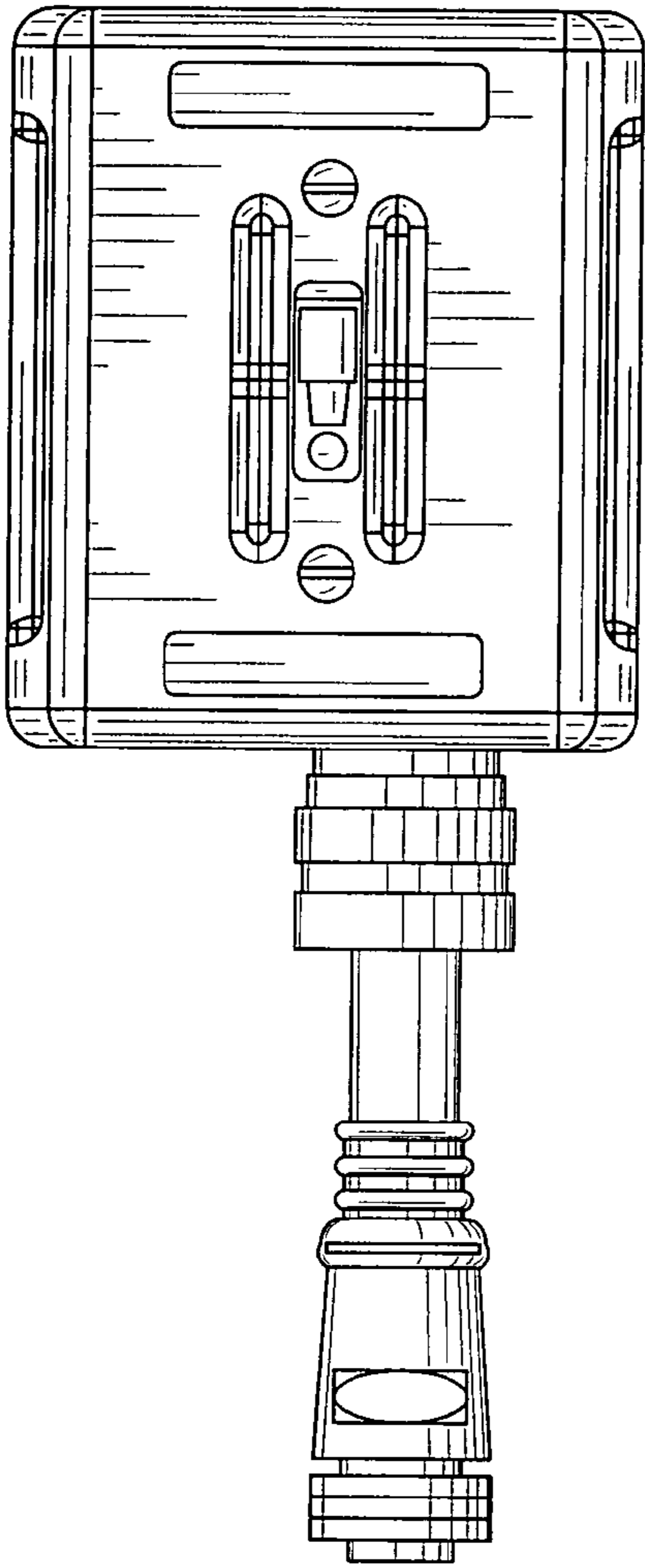


FIG. 13

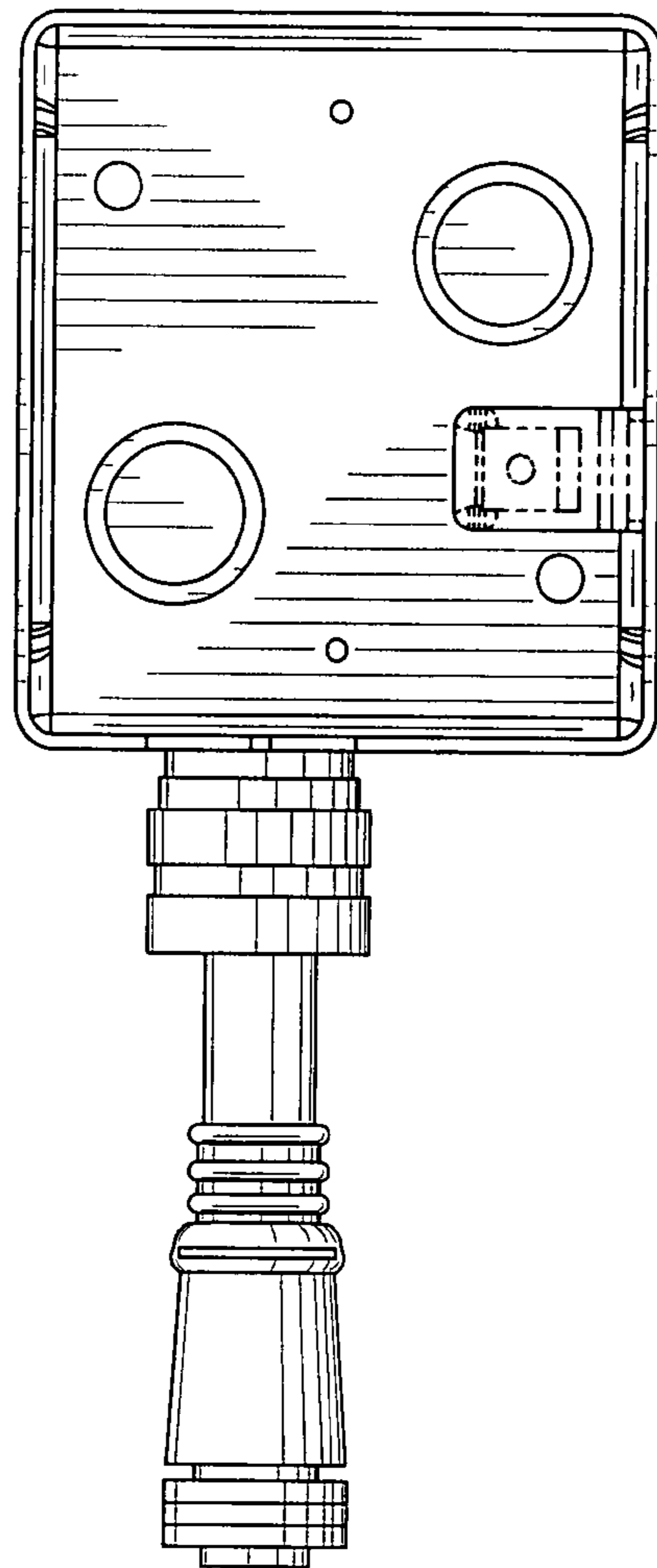


FIG. 14

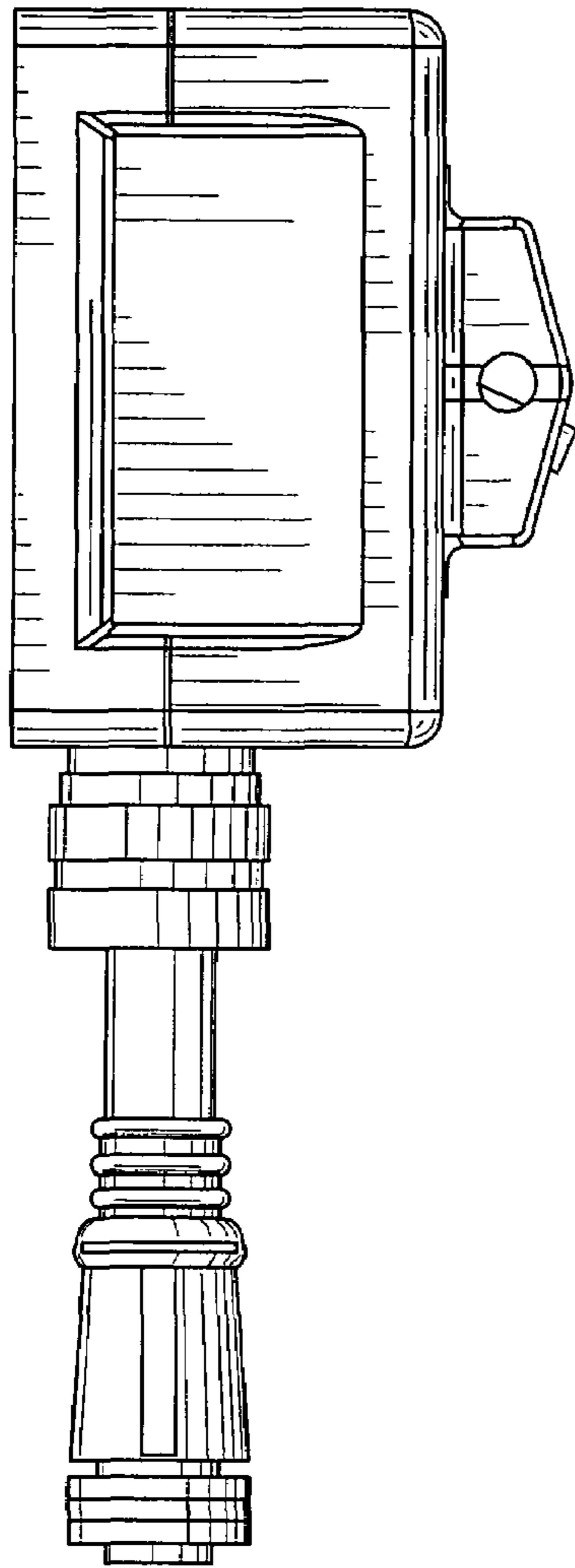


FIG. 15

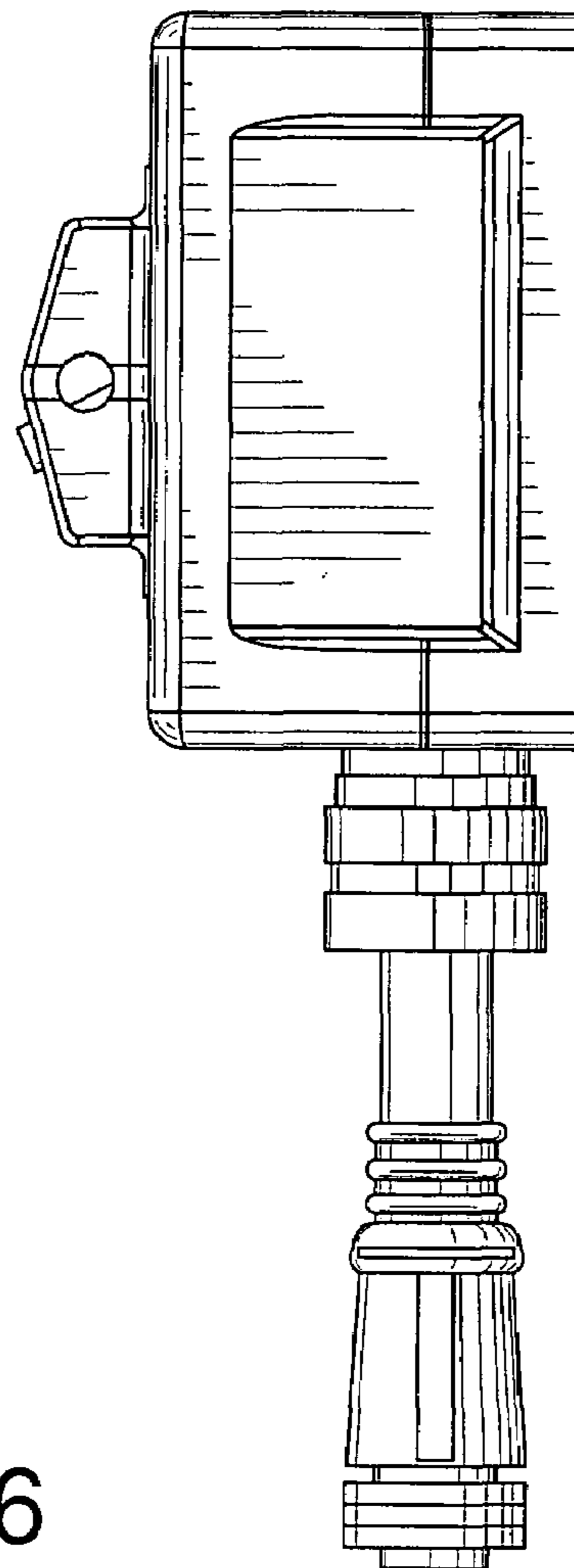


FIG. 16

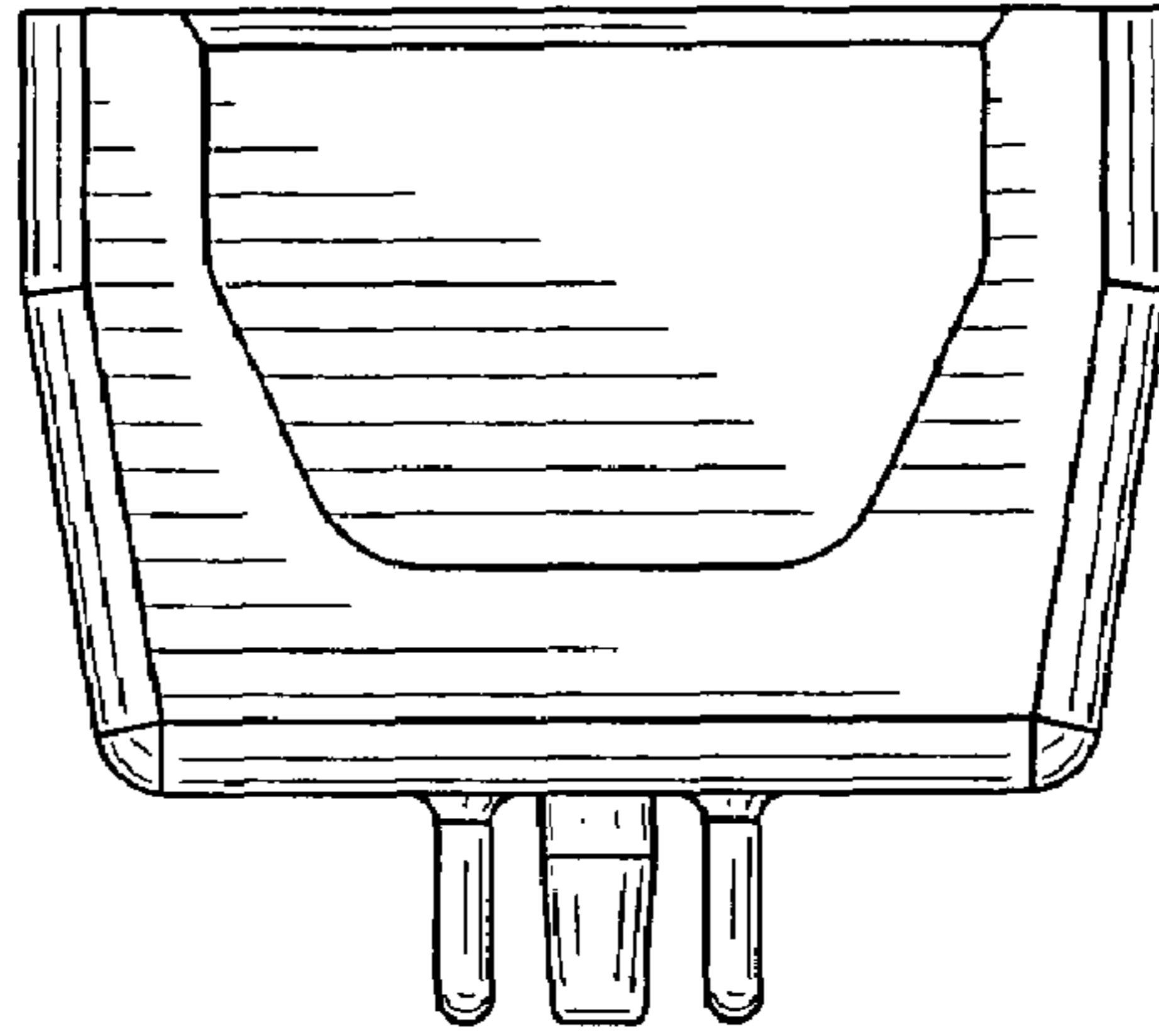


FIG. 17

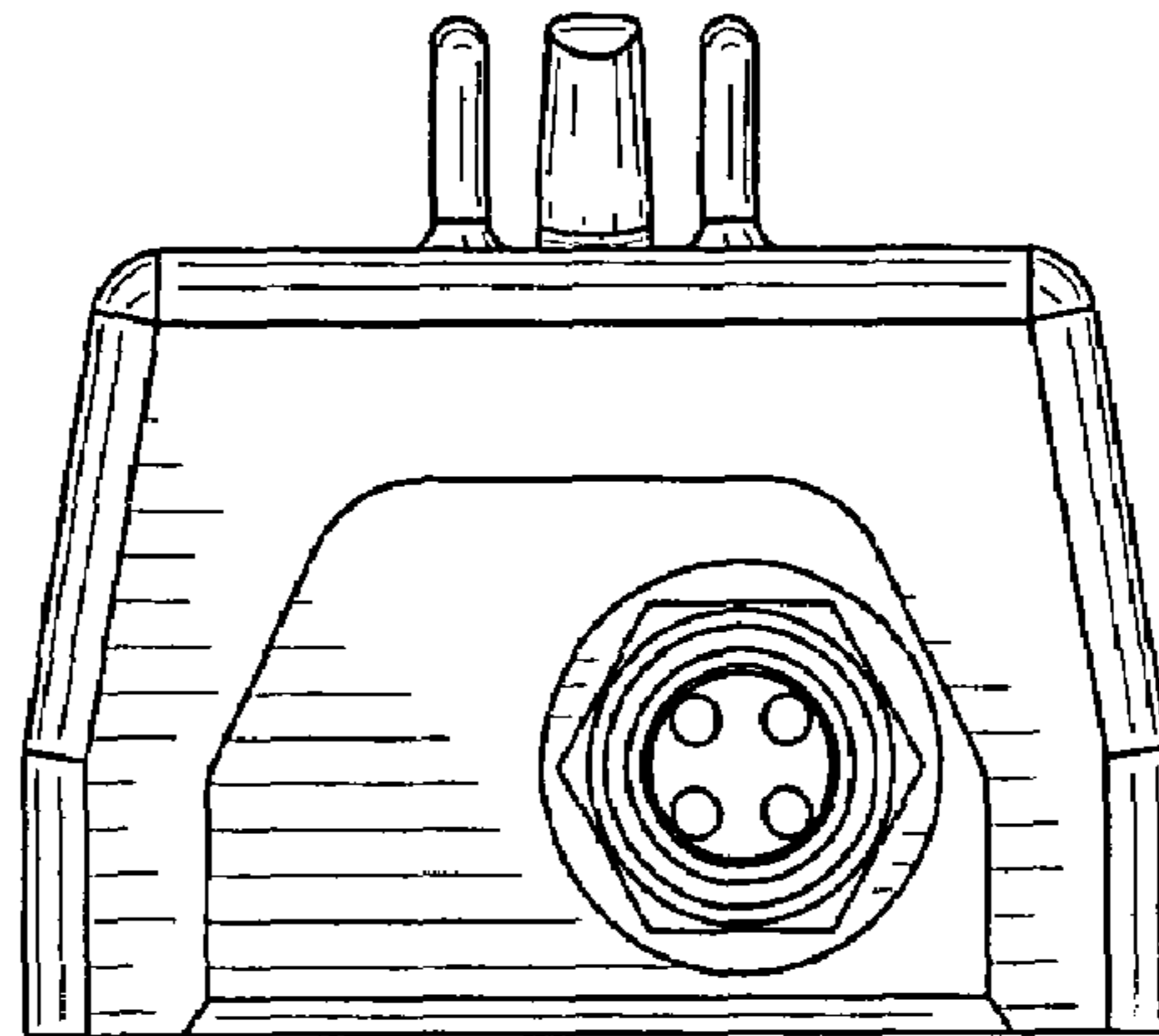


FIG. 18