



US00D559794S

(12) **United States Design Patent**
Kato et al.

(10) **Patent No.:** **US D559,794 S**
(45) **Date of Patent:** **** Jan. 15, 2008**

(54) **PUSH SWITCH**

(75) Inventors: **Yuichi Kato**, Tokyo (JP); **Masayasu Ito**, Tokyo (JP)

(73) Assignee: **SMK Corporation**, Tokyo (JP)

(**) Term: **14 Years**

(21) Appl. No.: **29/248,620**

(22) Filed: **Aug. 24, 2006**

(30) **Foreign Application Priority Data**

Feb. 24, 2006 (JP) 2006-004437

(51) **LOC (8) Cl.** **13-03**

(52) **U.S. Cl.** **D13/171**

(58) **Field of Classification Search** D13/125,
D13/158-177, 184, 199; D14/247; 200/310,
200/314, 329, 4, 406, 524, 530, 532, 535-6,
200/6 A, 81 R

See application file for complete search history.

(56) **References Cited**

U.S. PATENT DOCUMENTS

- 4,273,980 A * 6/1981 Rogero 200/524
- D282,067 S * 1/1986 Inaba D14/247
- D316,540 S * 4/1991 Hirose D13/171
- 5,072,085 A * 12/1991 Shinohara et al. 200/314
- D340,224 S * 10/1993 Gierut D13/171
- D462,666 S * 9/2002 Yamasaki et al. D13/158
- D511,504 S * 11/2005 Sang D13/171

- D523,401 S * 6/2006 Wang D13/154
- D533,842 S * 12/2006 Tohyama et al. D13/158
- D534,500 S * 1/2007 Yamada D13/158
- D537,797 S * 3/2007 Yanai et al. D13/171
- 2005/0115817 A1* 6/2005 Zhou 200/532
- 2007/0029176 A1* 2/2007 Sakurai 200/6 A

* cited by examiner

Primary Examiner—Selina Sikder

Assistant Examiner—Thomas J Johannes

(74) *Attorney, Agent, or Firm*—Darby & Darby P.C.

(57) **CLAIM**

The ornamental design for a push switch, as shown and described.

DESCRIPTION

FIG. 1 is a front, top, perspective view of our new design for a push switch;

FIG. 2 is a top plan view thereof;

FIG. 3 is a bottom plan view thereof;

FIG. 4 is a front, elevational view thereof, the rear elevational view being a mirror image; and,

FIG. 5 is a left-side, elevational view thereof, the right-side elevational view being a mirror image.

The broken line showing in the figure drawings is included for illustrative purposes only and forms no part of the claimed design.

1 Claim, 3 Drawing Sheets

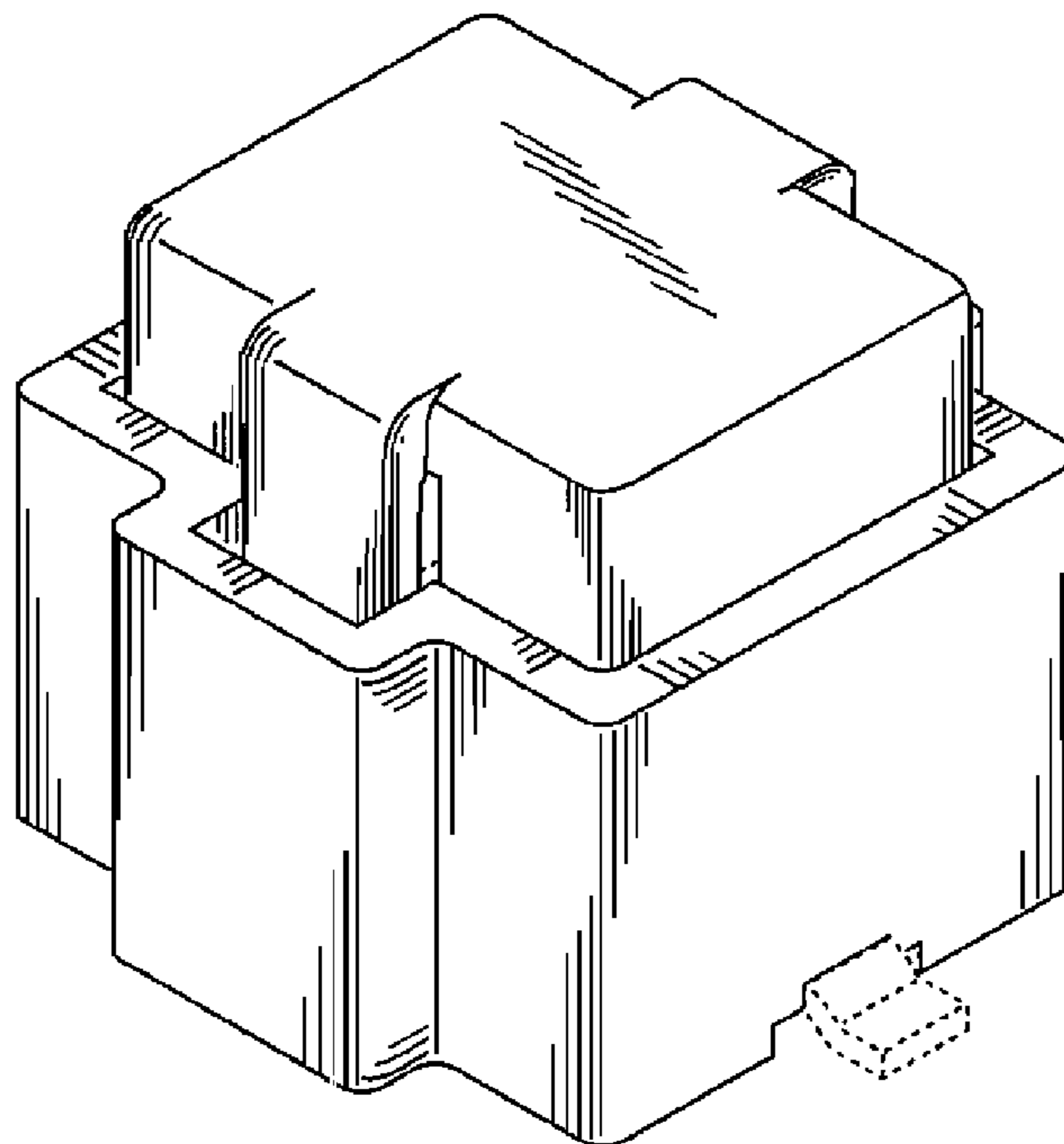


FIG. 1

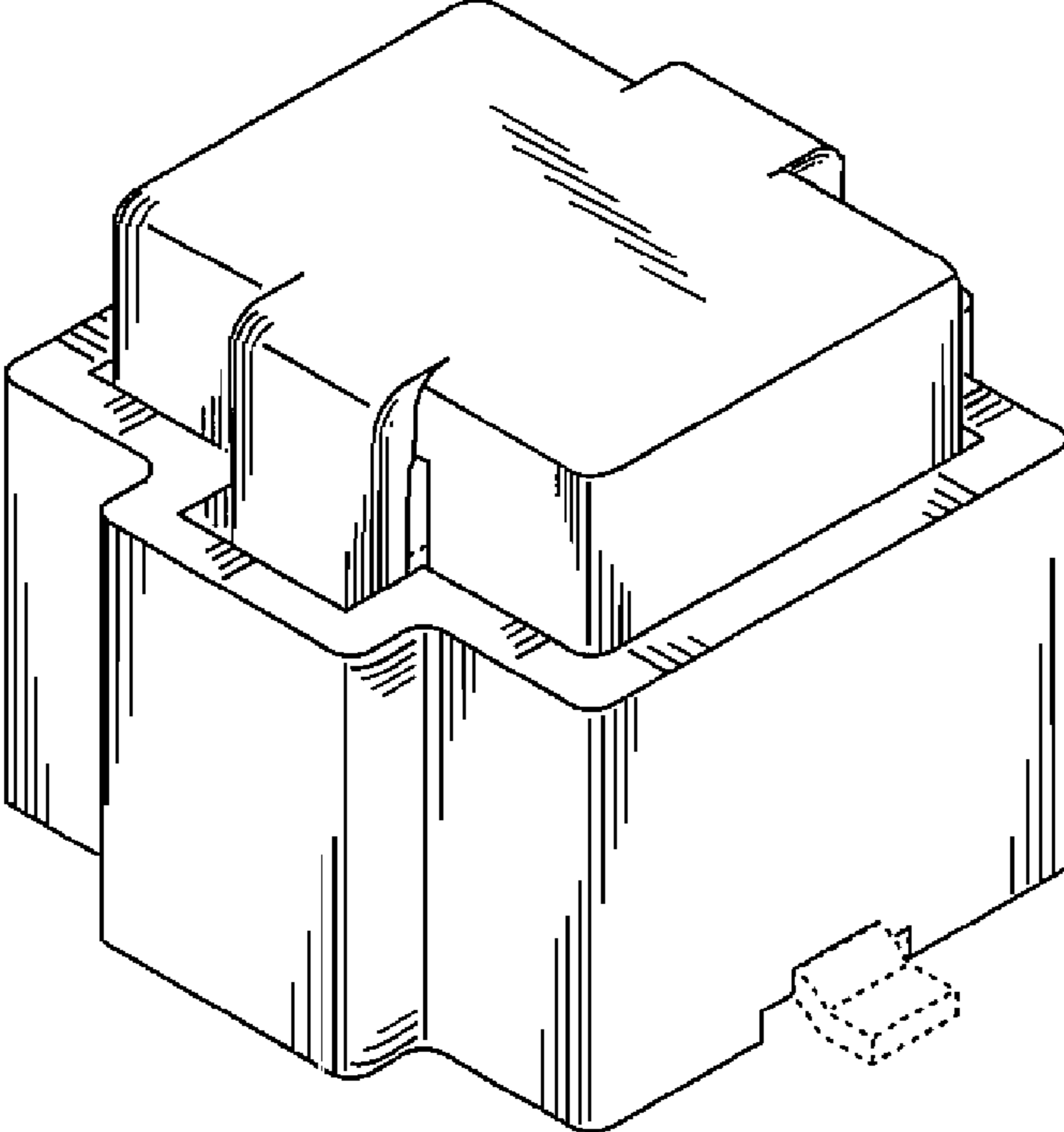


FIG. 2

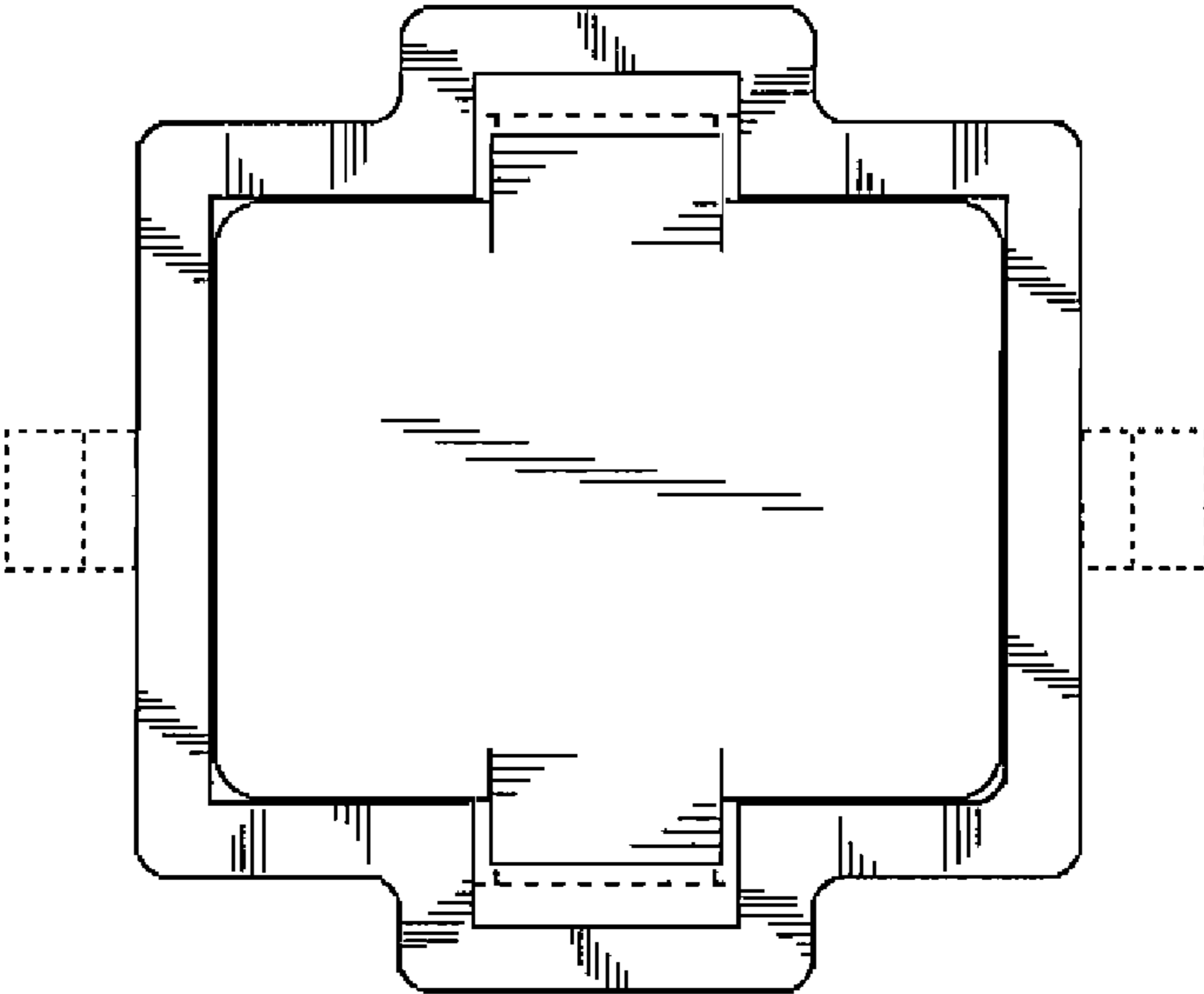


FIG. 3

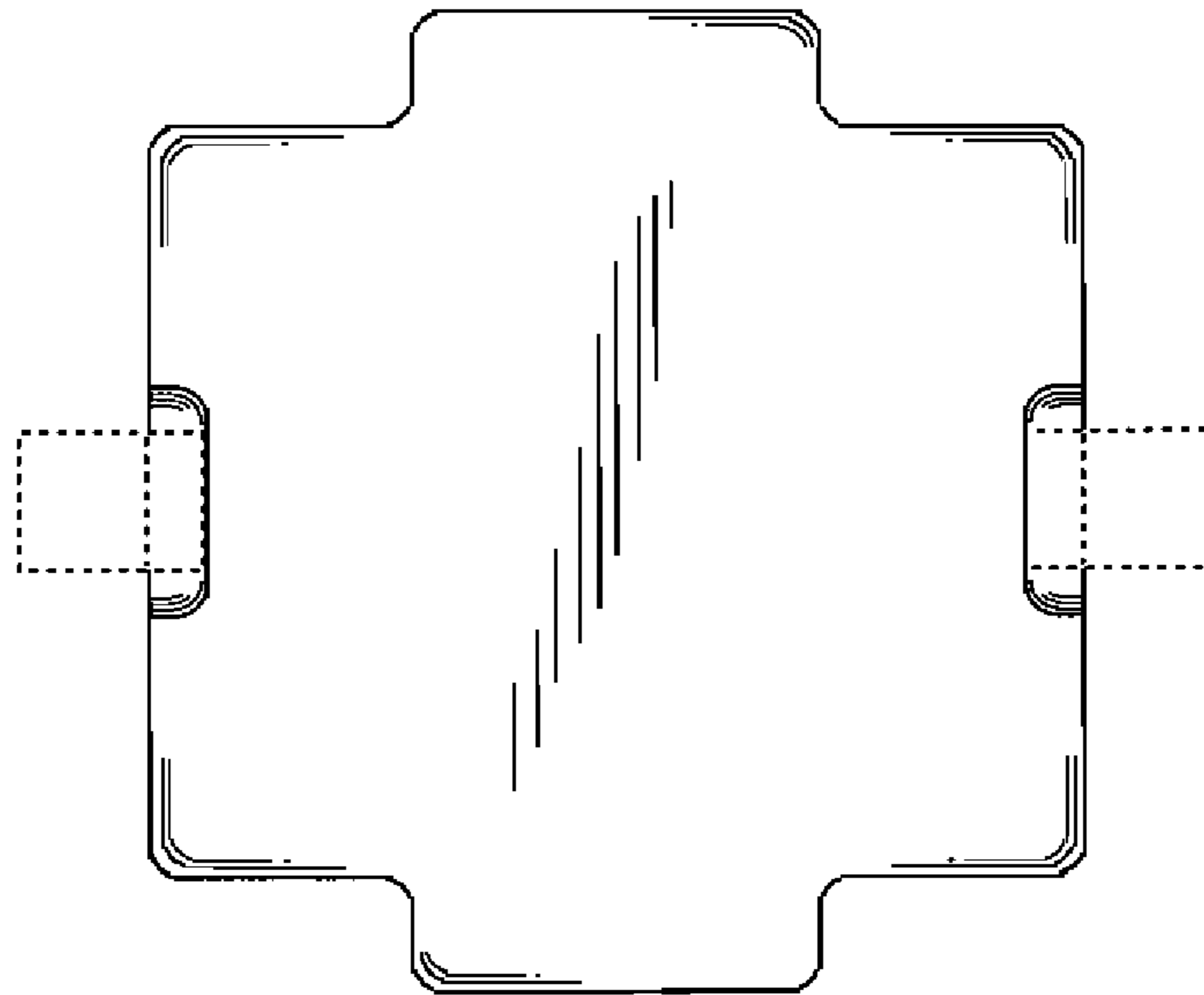


FIG. 4

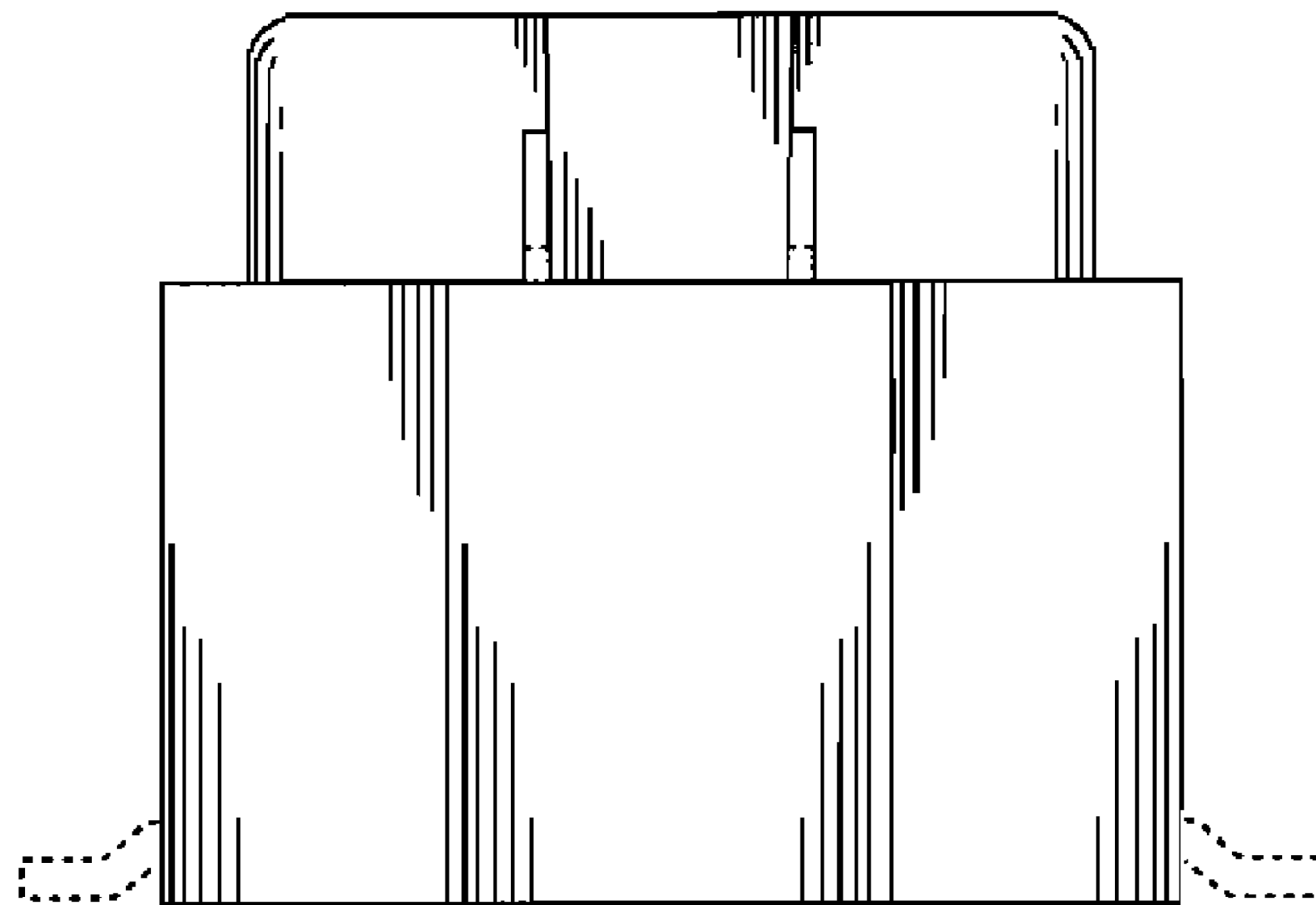


FIG. 5

