



US00D559792S

(12) **United States Design Patent**
Gemme et al.

(10) **Patent No.:** **US D559,792 S**
(45) **Date of Patent:** **** Jan. 15, 2008**

(54) **HUMAN-MACHINE INTERFACE FOR ELECTRICAL PROTECTION DEVICES**

(75) Inventors: **Carlo Gemme**, Pavia (IT); **Gabriele Suardi**, Endine Gaiano (IT); **Massimo Bresciani**, Bergamo (IT); **Luciano Di Maio**, Milan (IT)

(73) Assignee: **ABB Technology AG** (CH)

(**) Term: **14 Years**

(21) Appl. No.: **29/246,239**

(22) Filed: **Mar. 27, 2006**

(30) **Foreign Application Priority Data**

Sep. 28, 2005 (EM) 000407697-0001-0005

(51) **LOC (8) Cl.** **13-03**

(52) **U.S. Cl.** **D13/164; D13/162**

(58) **Field of Classification Search** D13/158, D13/162, 164, 177, 184; D14/371; D15/138; 700/180; 137/78.2, 78.3, 312, 80; 165/104.33; 174/50; 200/16 A, 242, 243, 35 R, 408, 200/522, 5 R, 6 R, 61.04, 61.62; 239/201, 239/272, 70, 548, 7, 63, 69; 324/664, 696; 335/132

See application file for complete search history.

(56) **References Cited**

U.S. PATENT DOCUMENTS

D243,960 S * 4/1977 Roch et al. D15/138
4,074,350 A * 2/1978 Roch et al. 700/180

D329,226 S * 9/1992 Holbrook D13/162
D355,417 S * 2/1995 Buchholz et al. D13/164
D458,229 S * 6/2002 Albrecht et al. D13/162
D494,937 S * 8/2004 You et al. D13/162
D541,798 S * 5/2007 Ichida et al. D14/371

OTHER PUBLICATIONS

ABB Power Technologies S.p.A, REF542plus—ProtectIT Multifunction Protection and Switchgear Control Unit, 1VCP000059 en-Leaflet—Jan. 2004.

* cited by examiner

Primary Examiner—Selina Sikder

Assistant Examiner—Thomas J Johannes

(74) *Attorney, Agent, or Firm*—Connolly Bove Lodge & Hutz LLP

(57) **CLAIM**

The ornamental design for a human-machine interface for electrical protection devices, as shown and described.

DESCRIPTION

FIG. 1 is a perspective view of a human-machine interface for electrical protection devices, showing our new design;

FIG. 2 is a front view thereof;

FIG. 3 is a rear view thereof;

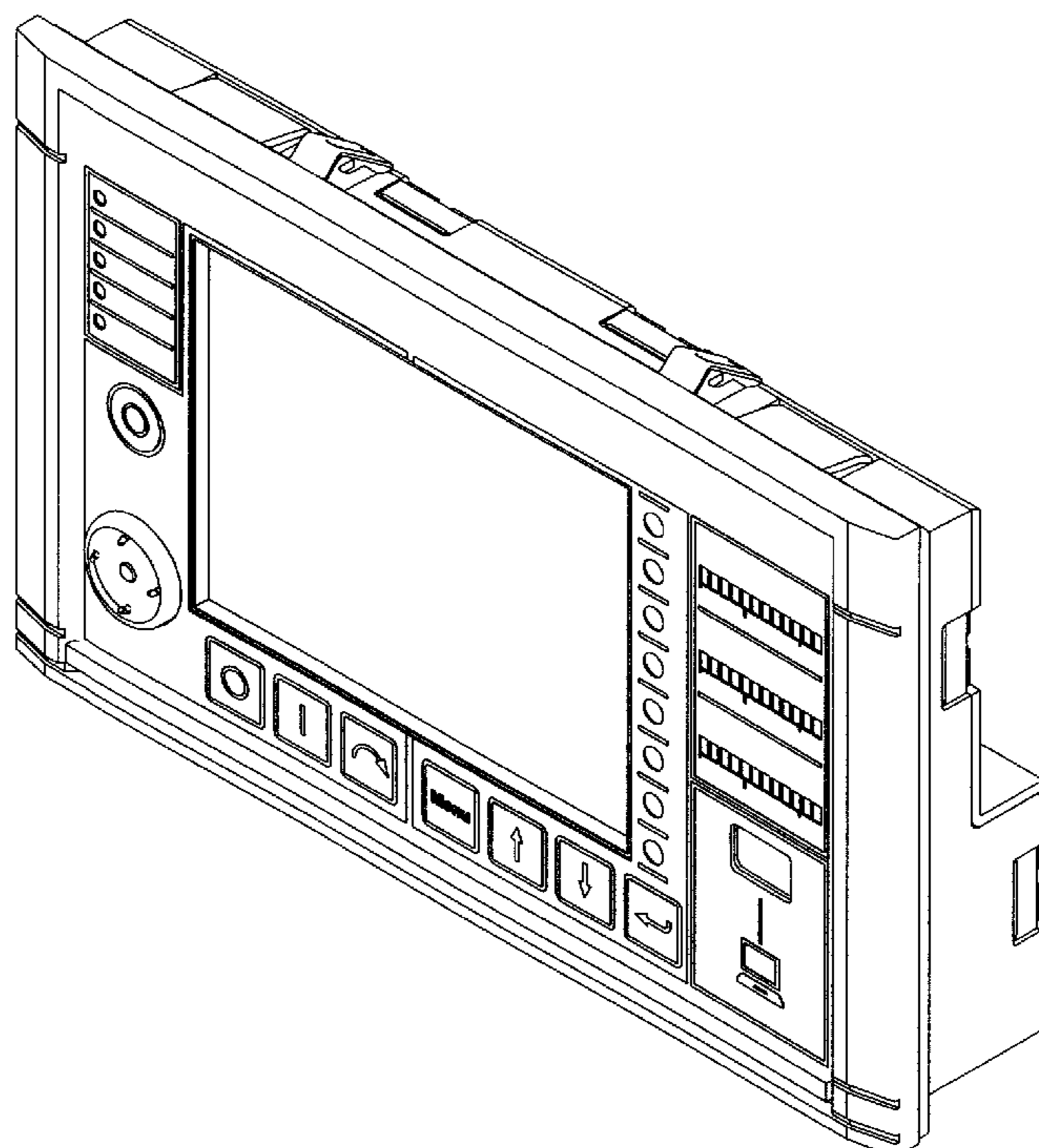
FIG. 4 is a bottom view thereof;

FIG. 5 is a top view thereof;

FIG. 6 is a right view thereof; and,

FIG. 7 is a left view thereof.

1 Claim, 7 Drawing Sheets



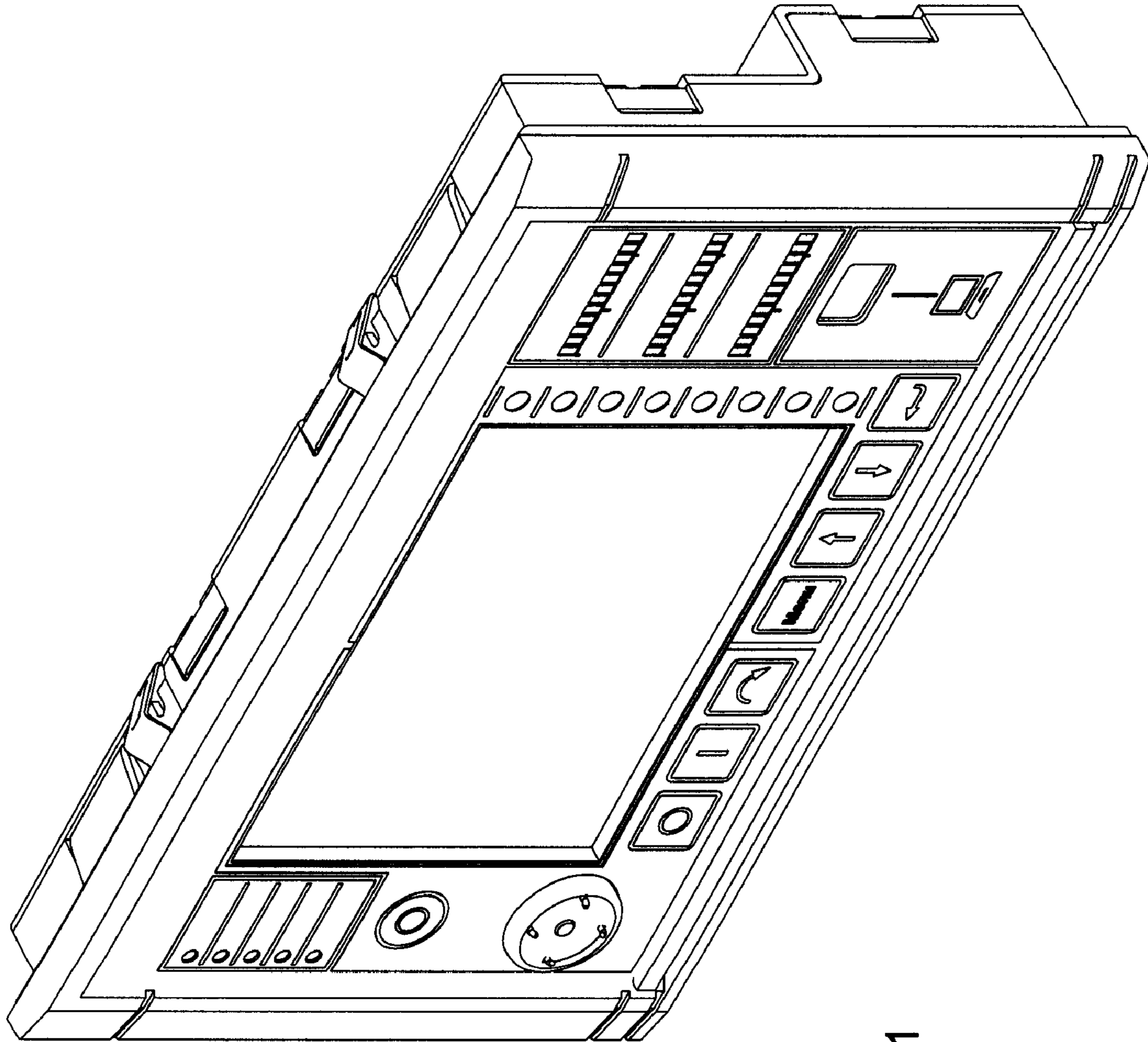


Fig.1

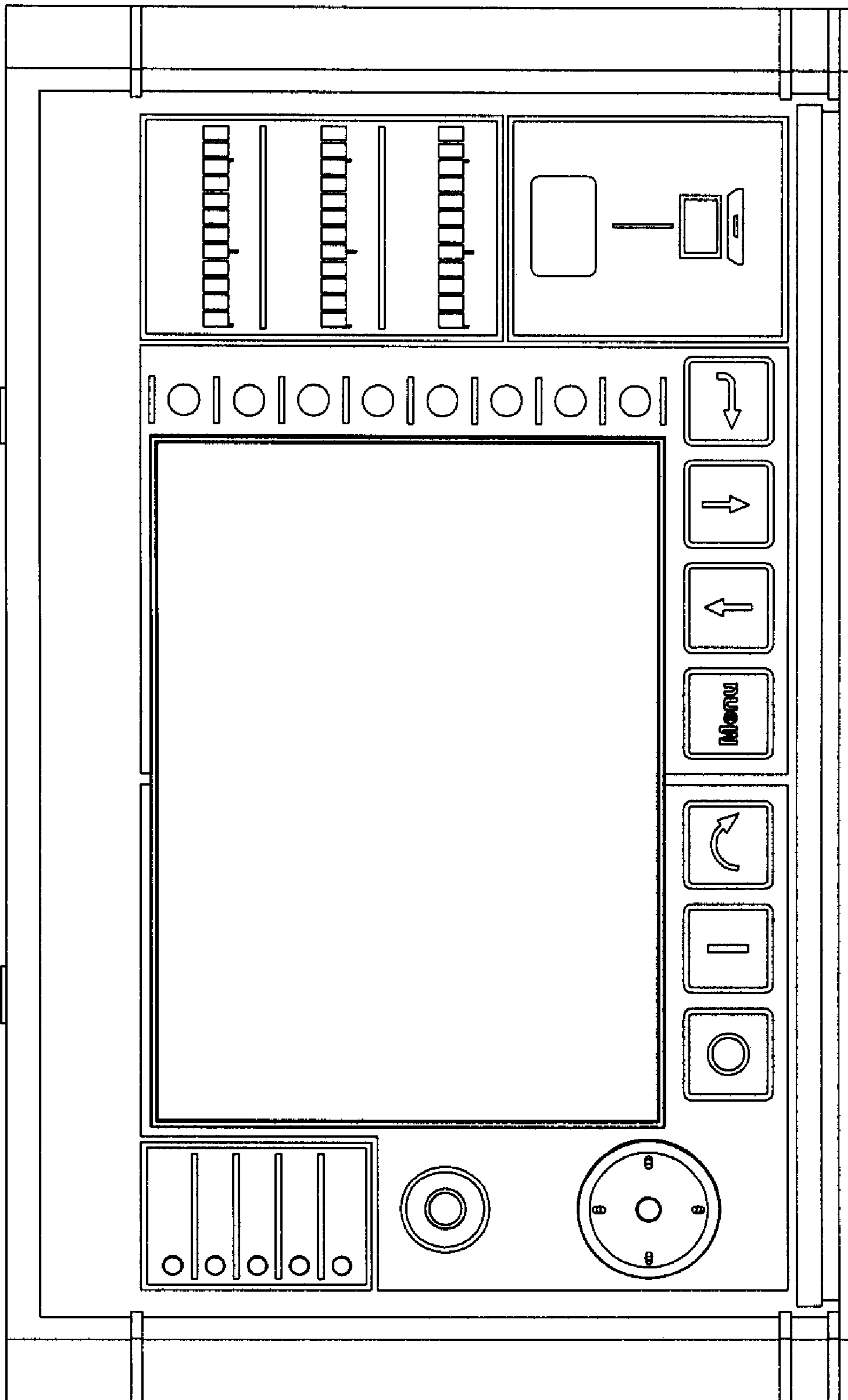


Fig.2

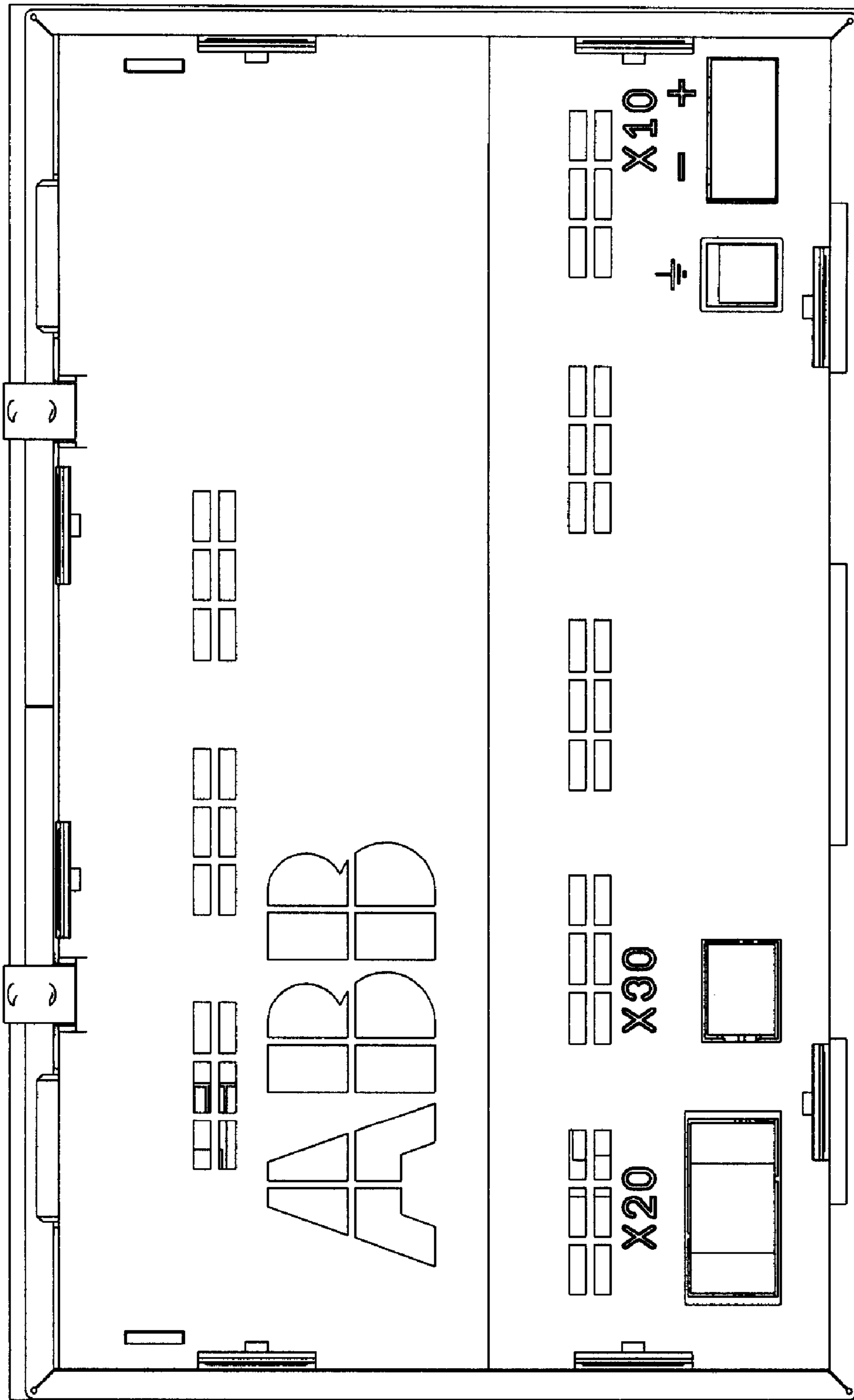


Fig.3

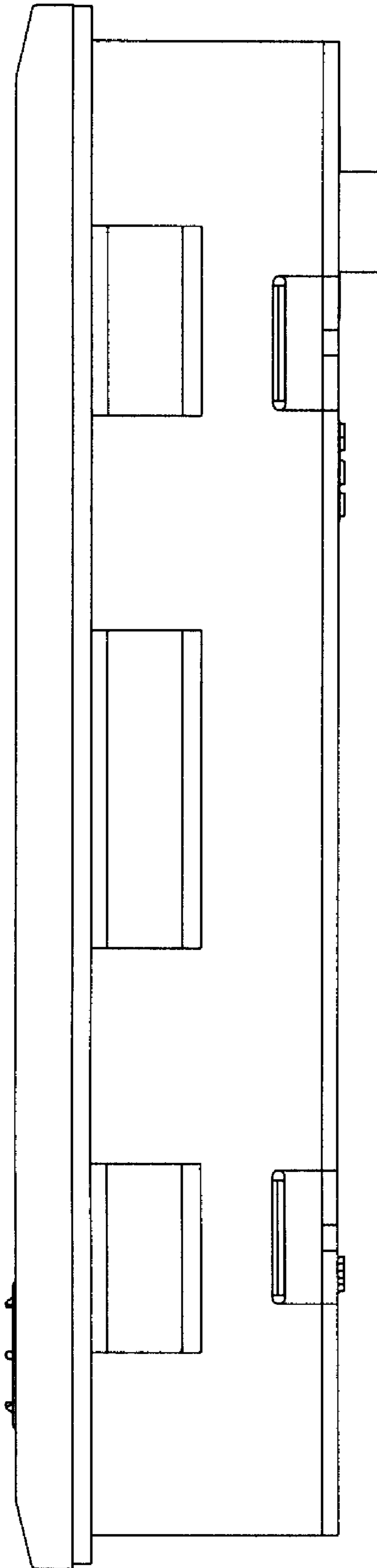


Fig. 4

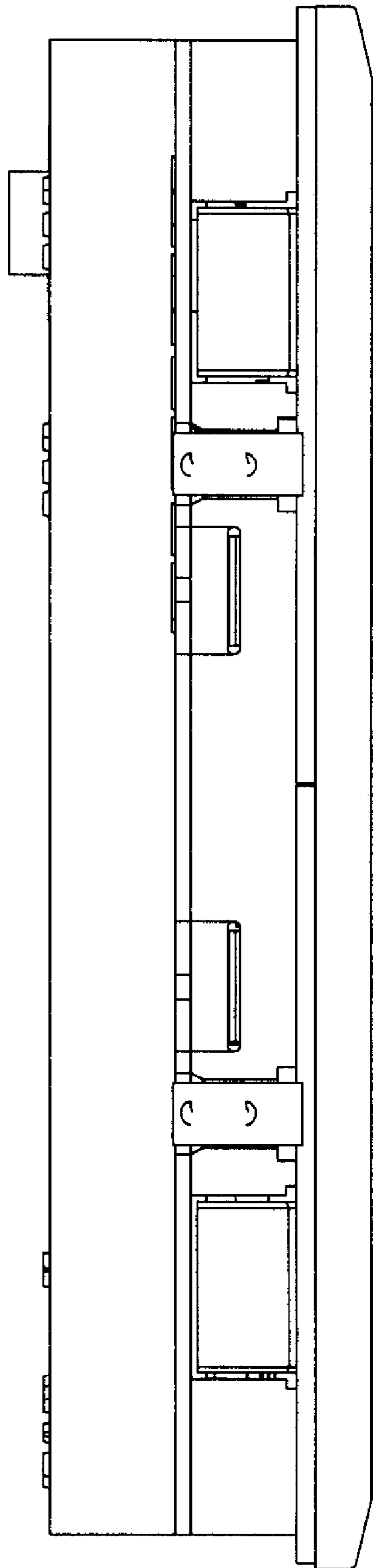


Fig.5

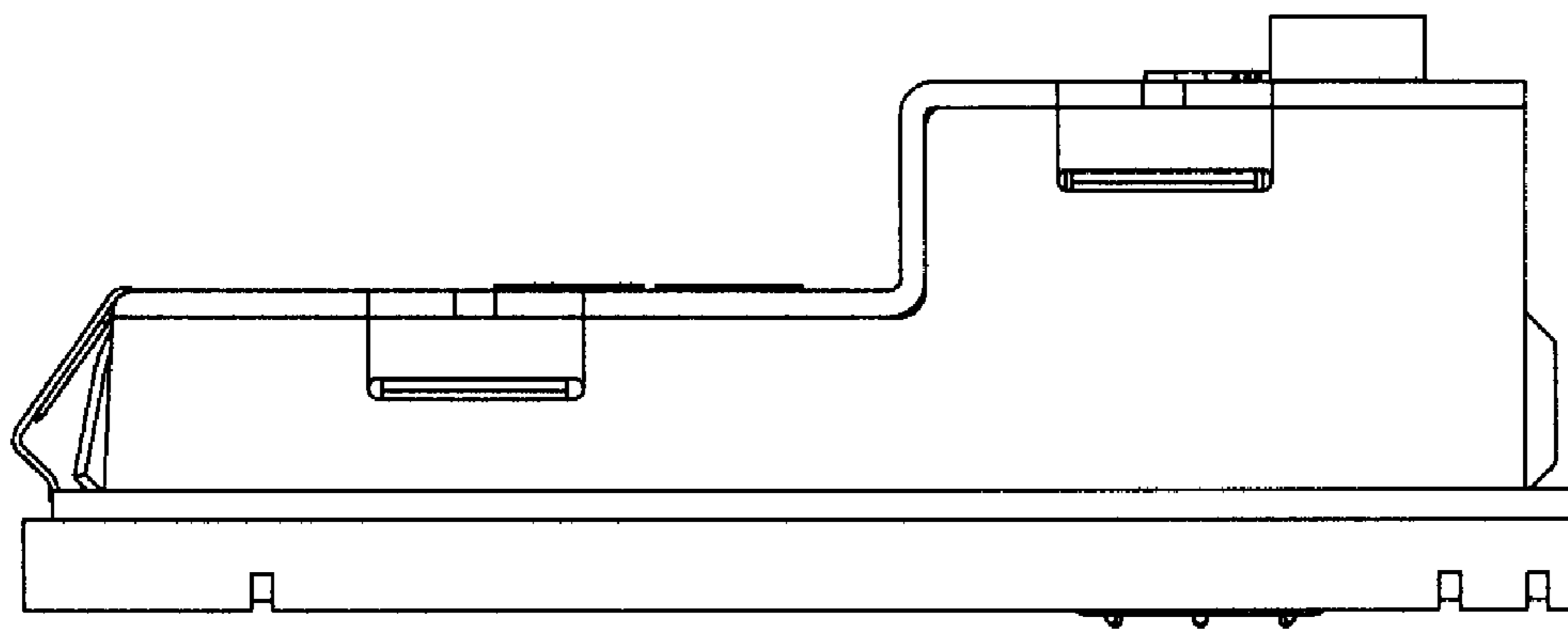


Fig. 6

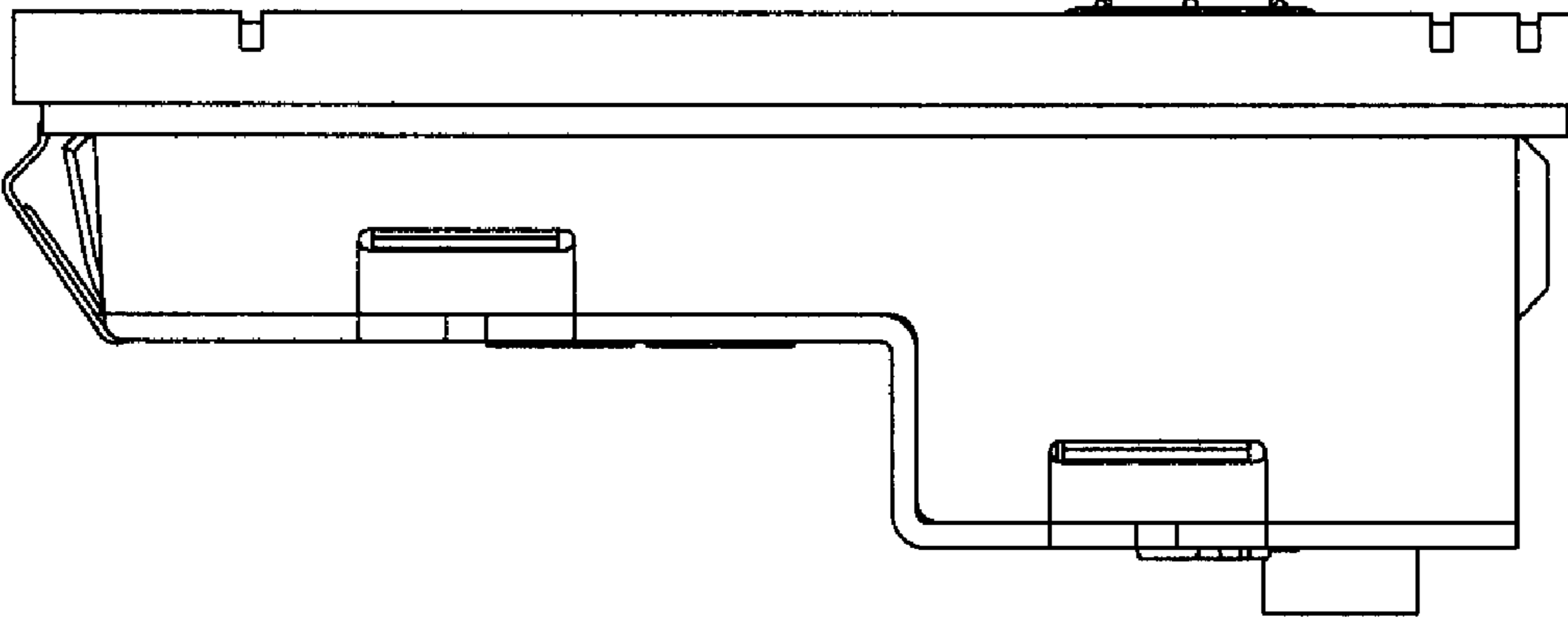


Fig. 7