



US00D559790S

(12) **United States Design Patent**  
**Okuno**

(10) **Patent No.:** **US D559,790 S**

(45) **Date of Patent:** **\*\* Jan. 15, 2008**

(54) **PRESSURE SWITCH**

(75) Inventor: **Haruhiko Okuno**, Ibaraki (JP)

(73) Assignee: **SMC Corporation**, Chiyoda-ku, Tokyo (JP)

(\*\*) Term: **14 Years**

(21) Appl. No.: **29/238,555**

(22) Filed: **Sep. 15, 2005**

(30) **Foreign Application Priority Data**

Mar. 31, 2005 (JP) ..... 2005-009690

(51) **LOC (8) Cl.** ..... **13-03**

(52) **U.S. Cl.** ..... **D13/158; D13/171**

(58) **Field of Classification Search** ..... D13/158,  
D13/162, 163, 164, 177, 184; D23/233;  
D10/85; 200/308, 520, 5 A, 5 R, 83-83 Q,  
200/81 R, 81.4; 340/632

See application file for complete search history.

(56) **References Cited**

**U.S. PATENT DOCUMENTS**

- 3,916,130 A \* 10/1975 Cade ..... 200/83 C
- 4,081,621 A \* 3/1978 Hartley ..... 200/83 Q
- 4,652,841 A \* 3/1987 Hudspeth et al. .... 333/107
- D308,193 S \* 5/1990 Gaalswyk ..... D13/158
- D430,268 S \* 8/2000 Hiramatsu et al. .... D23/233

- D437,295 S \* 2/2001 Gunji et al. .... D13/158
- D444,722 S \* 7/2001 Honma ..... D10/85
- D456,290 S \* 4/2002 Gunji et al. .... D10/85
- D477,287 S \* 7/2003 Roman ..... D13/162
- D497,145 S \* 10/2004 Seo ..... D13/158
- D522,090 S \* 5/2006 Matsumoto et al. .... D23/233
- 7,071,832 B2 \* 7/2006 Miyamoto et al. .... 340/632
- 7,186,934 B2 \* 3/2007 Nakajima ..... 200/81 R

\* cited by examiner

*Primary Examiner*—Selina Sikder

*Assistant Examiner*—Thomas J Johannes

(74) *Attorney, Agent, or Firm*—Peter Ganjian

(57) **CLAIM**

The ornamental design for a pressure switch, as shown and described.

**DESCRIPTION**

FIG. 1 shows a front view of a pressure switch showing my new design;

FIG. 2 shows a back view thereof;

FIG. 3 shows a top view thereof;

FIG. 4 shows a bottom view thereof;

FIG. 5 shows a left side view thereof; and,

FIG. 6 shows a right side view thereof.

**1 Claim, 6 Drawing Sheets**

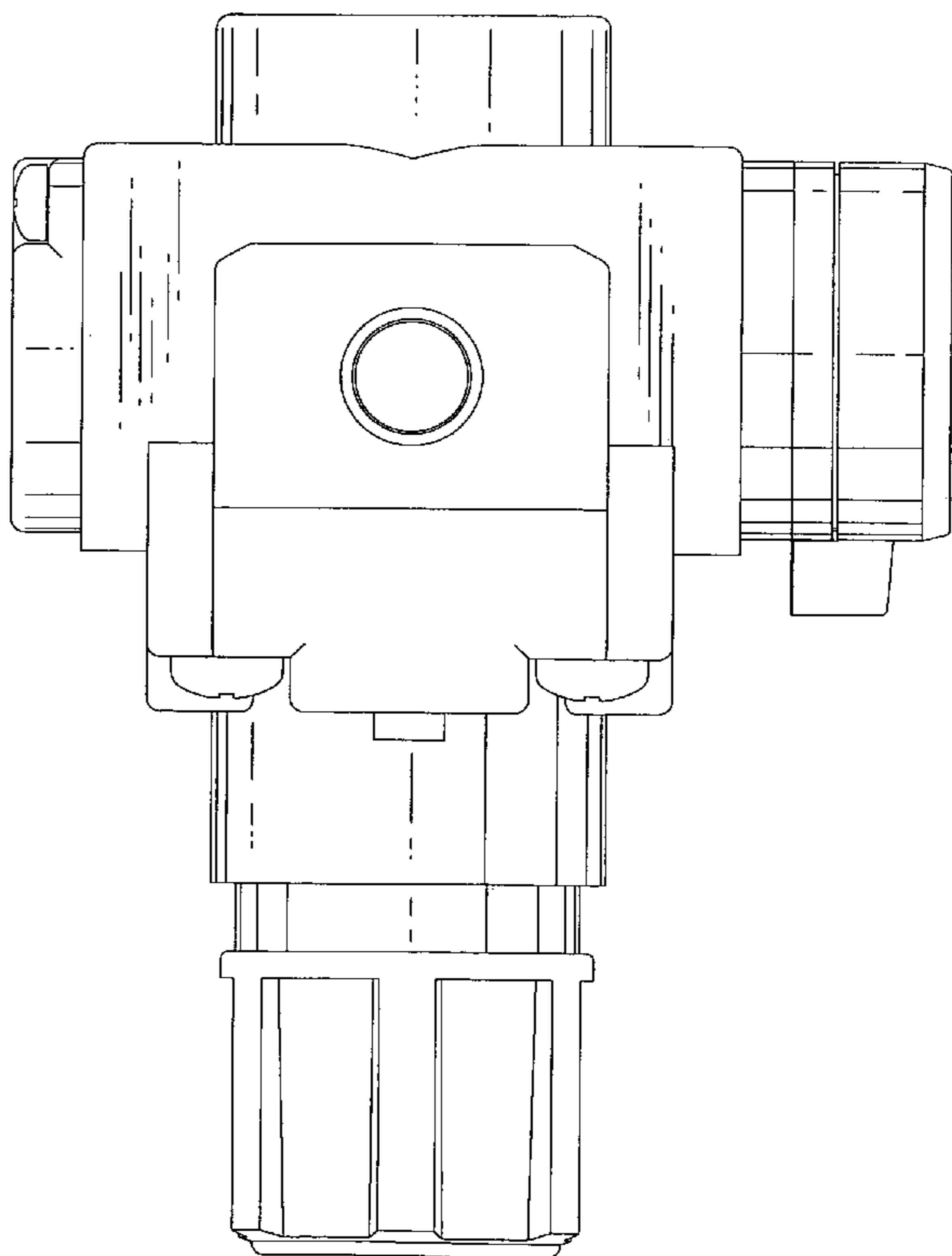
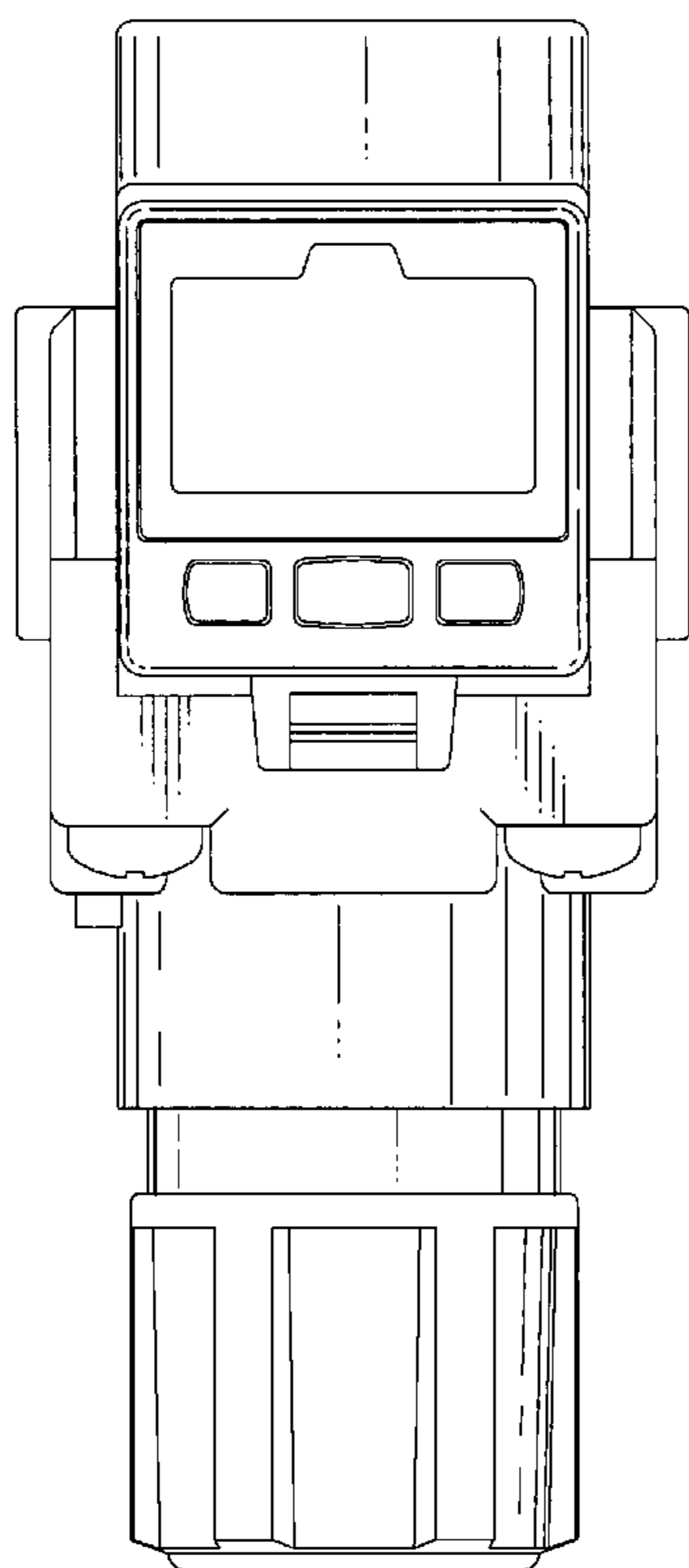


FIG. 1

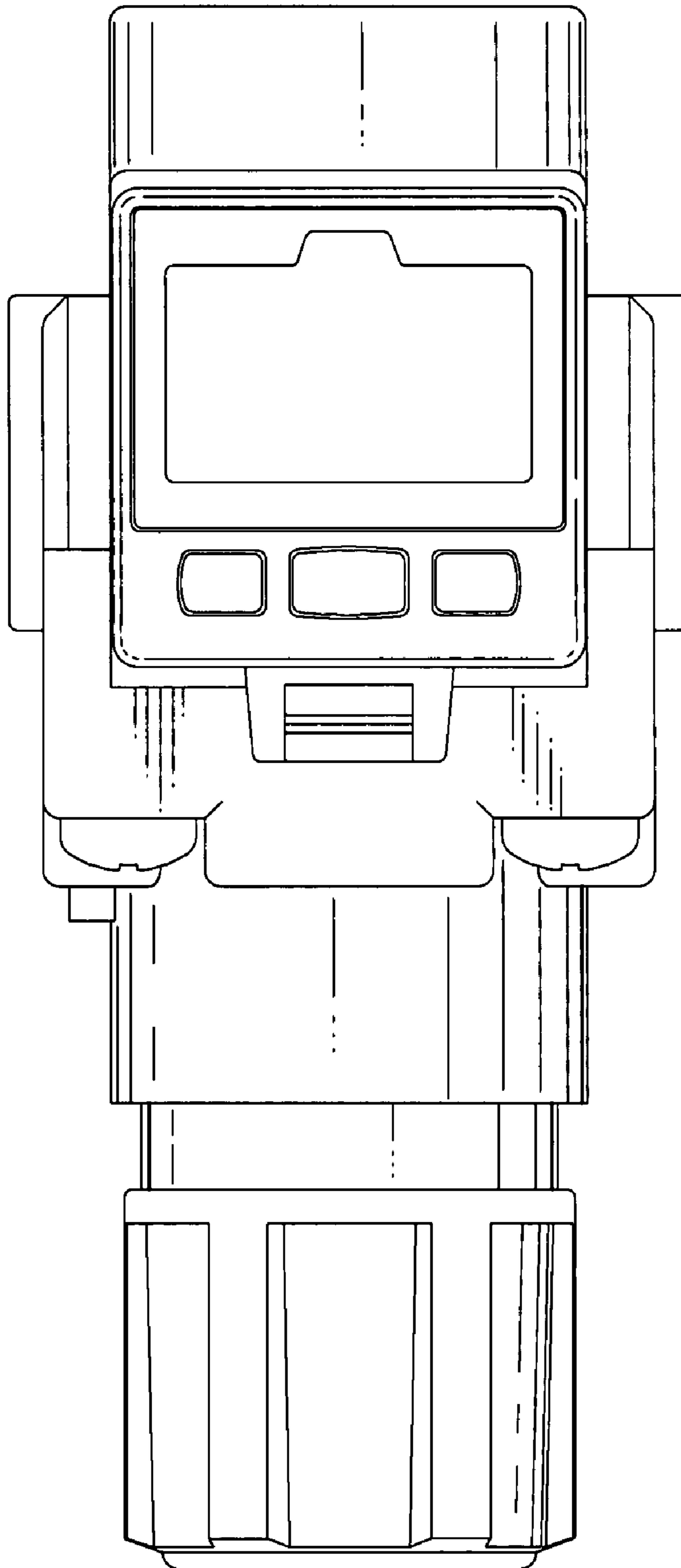


FIG. 2

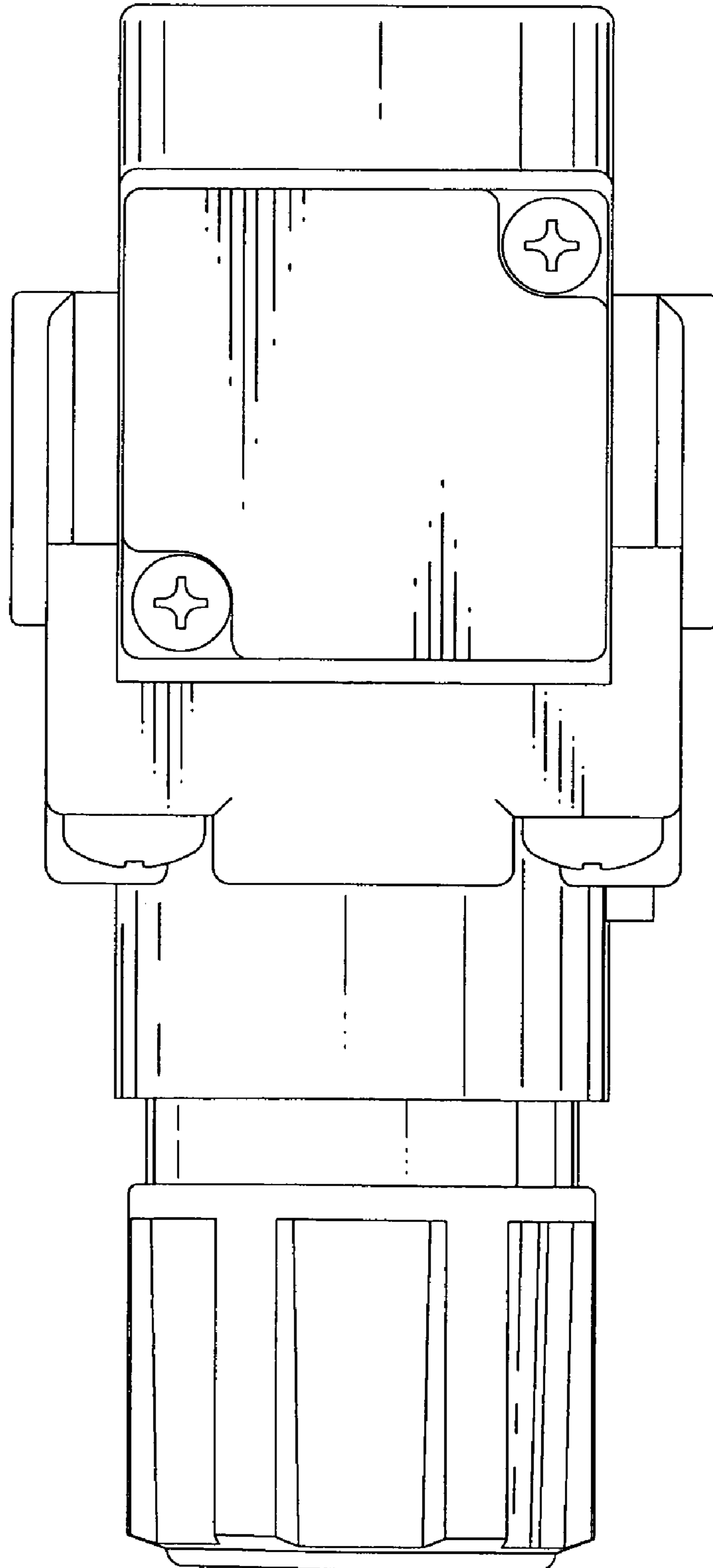


FIG. 3

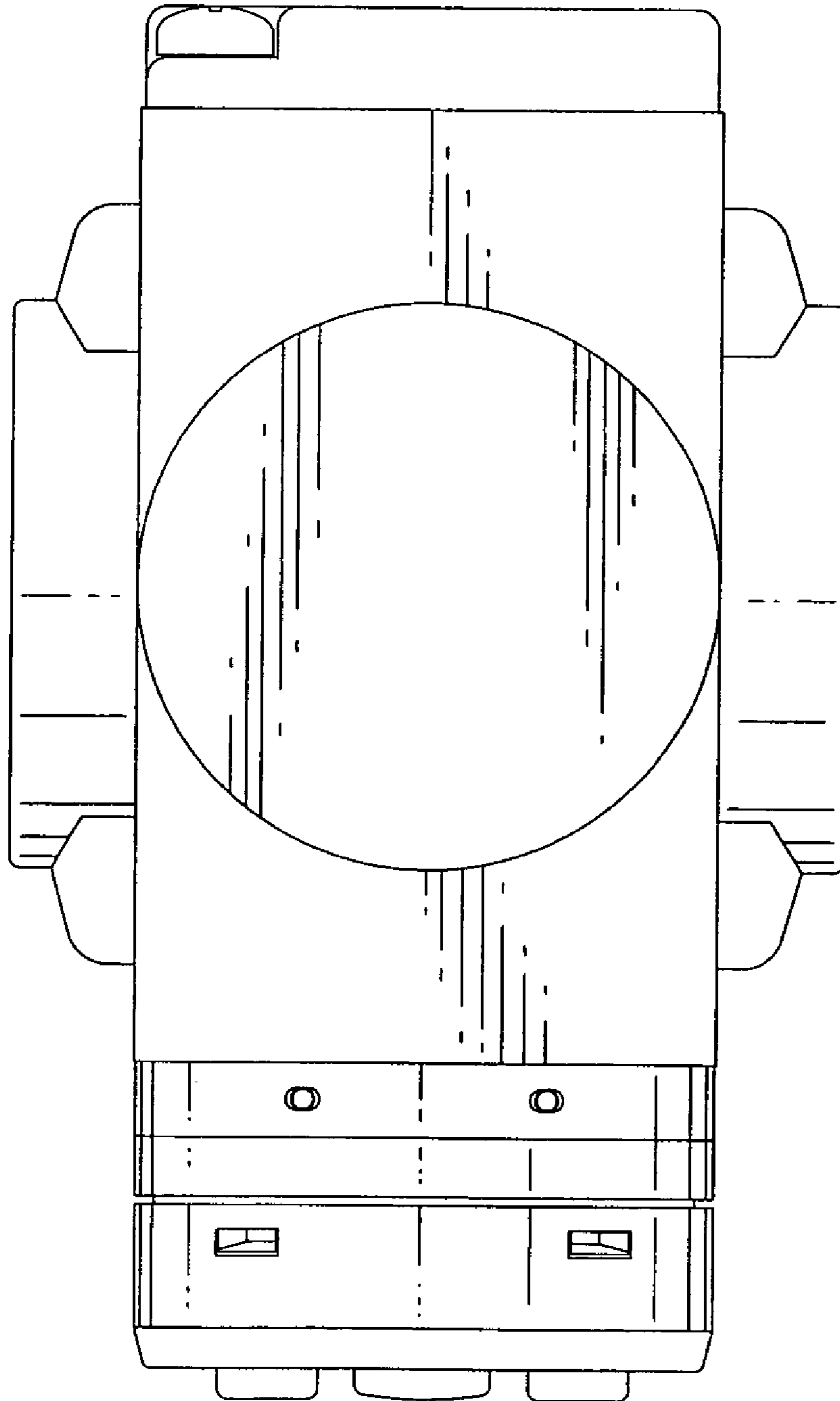


FIG. 4

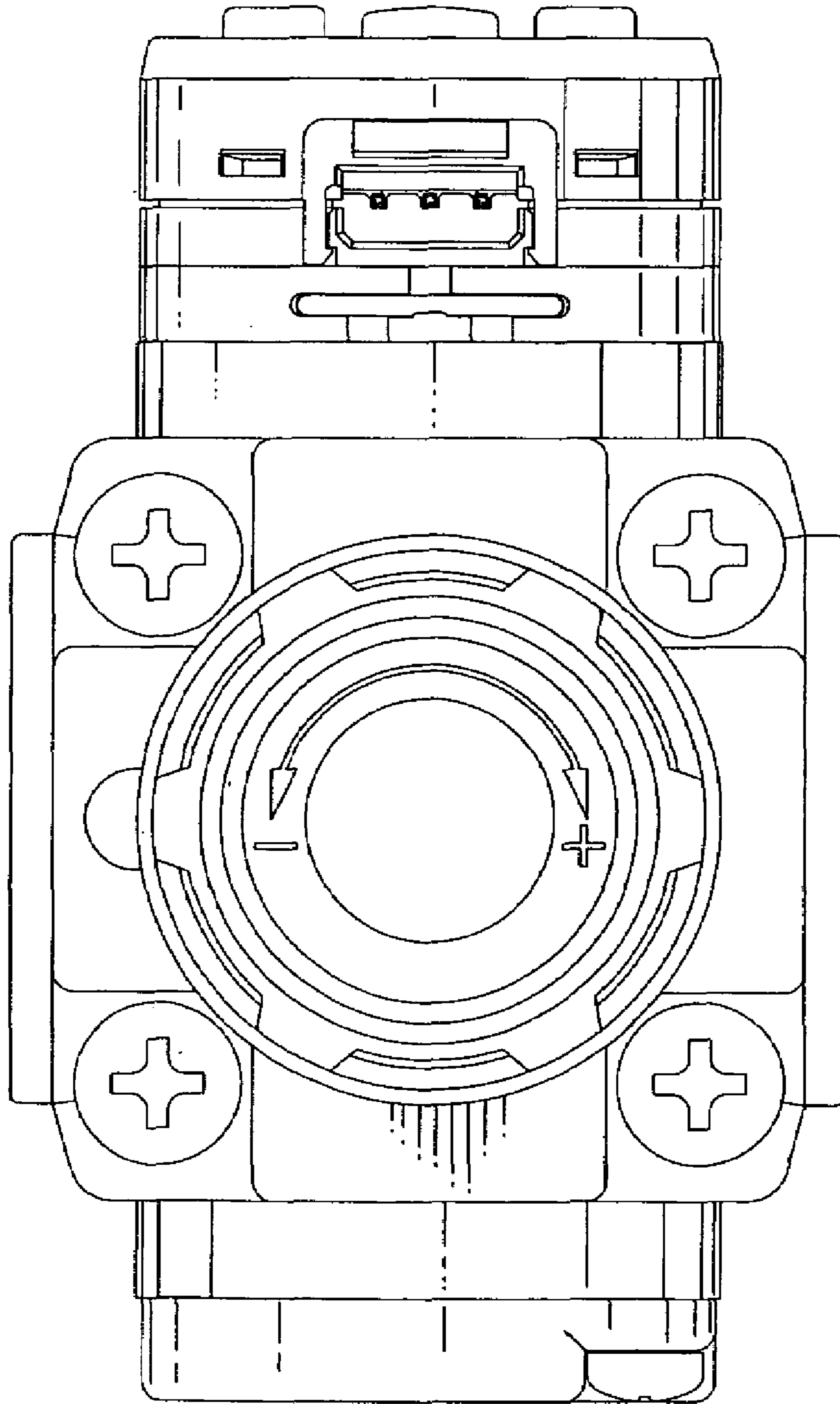


FIG. 5

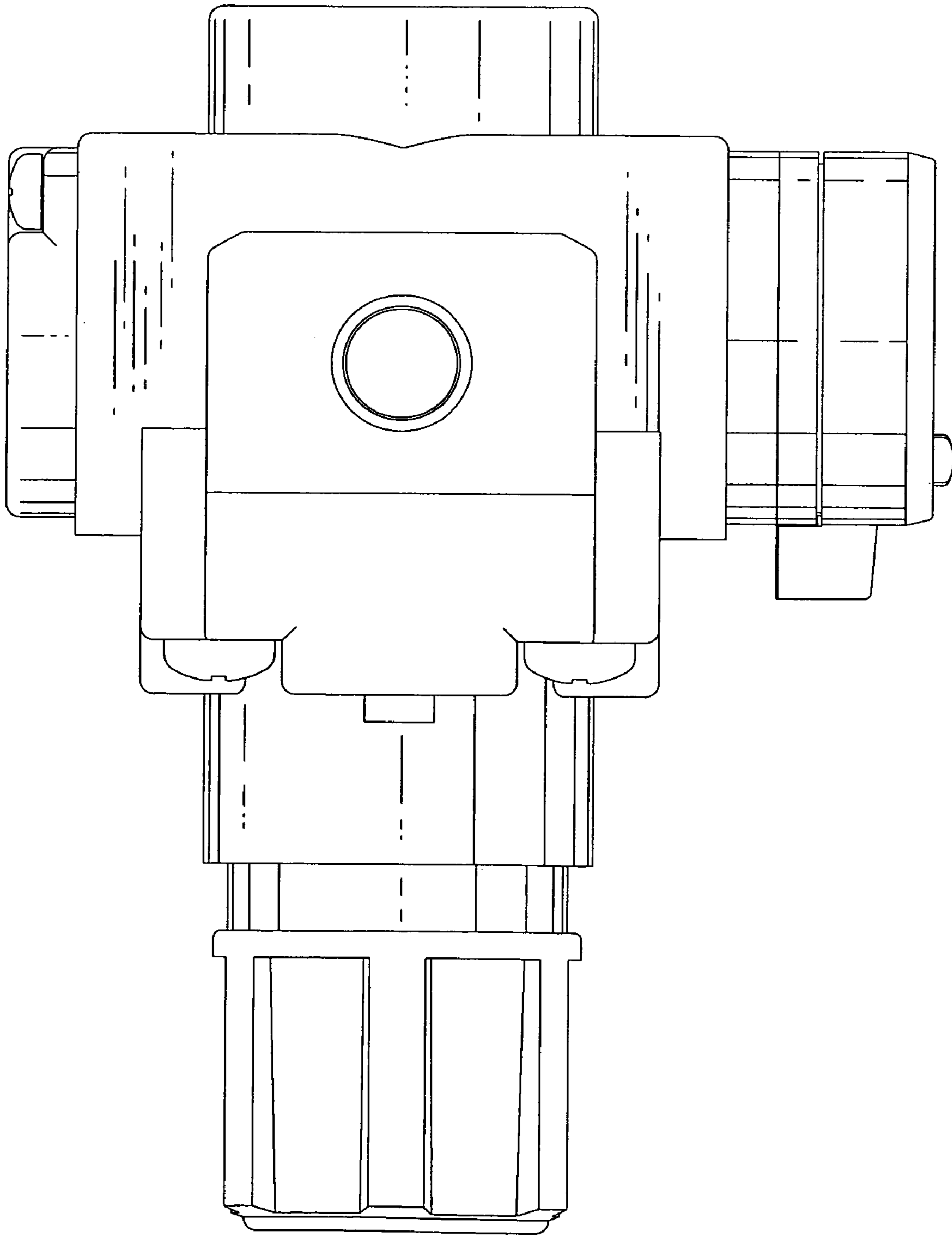


FIG. 6

