



US00D559787S

(12) **United States Design Patent**
Sasaki et al.

(10) **Patent No.:** **US D559,787 S**
(45) **Date of Patent:** **** Jan. 15, 2008**

(54) **CONNECTOR FOR MEMORY CARD**

(75) Inventors: **Ryo Sasaki**, Tokyo (JP); **Shogo Uehara**, Tokyo (JP)

(73) Assignee: **SMK Corporation**, Tokyo (JP)

(**) Term: **14 Years**

(21) Appl. No.: **29/278,552**

(22) Filed: **Apr. 2, 2007**

(30) **Foreign Application Priority Data**

Oct. 3, 2006 (JP) 2006-026723

(51) **LOC (8) Cl.** **13-03**

(52) **U.S. Cl.** **D13/147**

(58) **Field of Classification Search** D13/133,
D13/146-147, 154, 184; D14/432-435,
D14/436, 438; 361/684-685; 439/64, 79,
439/159-160, 330-331, 341-342, 607-610,
439/629-630, 636, 660, 773, 862

See application file for complete search history.

(56) **References Cited**

U.S. PATENT DOCUMENTS

6,655,973 B2 * 12/2003 Ji et al. 439/159
D488,444 S * 4/2004 Motojima D13/147
7,104,820 B1 * 9/2006 Lu et al. 439/159
7,118,397 B1 * 10/2006 Su et al. 439/159
7,244,130 B2 * 7/2007 Miyamoto 439/159
D550,629 S * 9/2007 Kagami D13/147
2005/0282440 A1 * 12/2005 Tseng et al. 439/630
2006/0166532 A1 * 7/2006 Tsai 439/159

FOREIGN PATENT DOCUMENTS

JP D1215553 S 7/2004
JP D1249702 S 7/2005
JP D1249703 S 7/2005

JP D1264424 S 1/2006
JP D1266466 S 2/2006
JP 2006-261069 A 9/2006
JP 2006-294570 A 10/2006
JP D1292743 S 1/2007

* cited by examiner

Primary Examiner—Daniel Bui

(74) *Attorney, Agent, or Firm*—Darby & Darby P.C.

(57) **CLAIM**

The ornamental design for a connector for a memory card, as shown and described.

DESCRIPTION

FIG. 1 is a front elevation view of our new design for a connector for a memory card;

FIG. 2 is a rear elevation view thereof;

FIG. 3 is a top plan view thereof;

FIG. 4 is a bottom plan view thereof;

FIG. 5 is a right side elevation view thereof;

FIG. 6 is a left side elevation view thereof;

FIG. 7 is a first perspective view thereof, including the top, left and front sides,

FIG. 8 is a second perspective view thereof, including the bottom, right and rear sides;

FIG. 9 is a third perspective view thereof, including the top, right and front sides;

FIG. 10 is a fourth perspective view thereof, including the top, right and rear sides;

FIG. 11 is a fifth perspective view thereof, including the top, left and rear sides; and,

FIG. 12 is a sixth perspective view thereof, including the bottom, left and front sides.

1 Claim, 5 Drawing Sheets

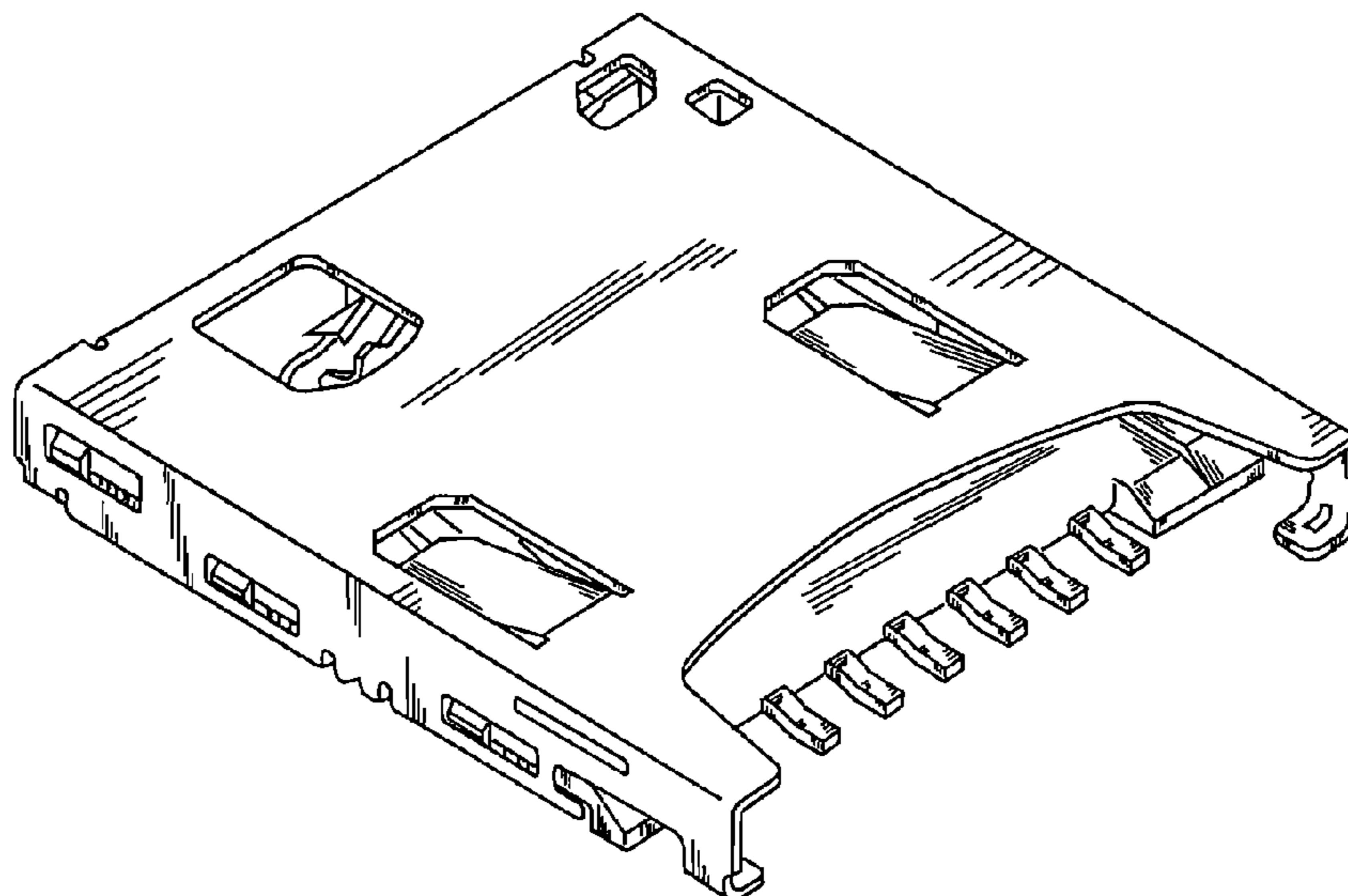


FIG. 1

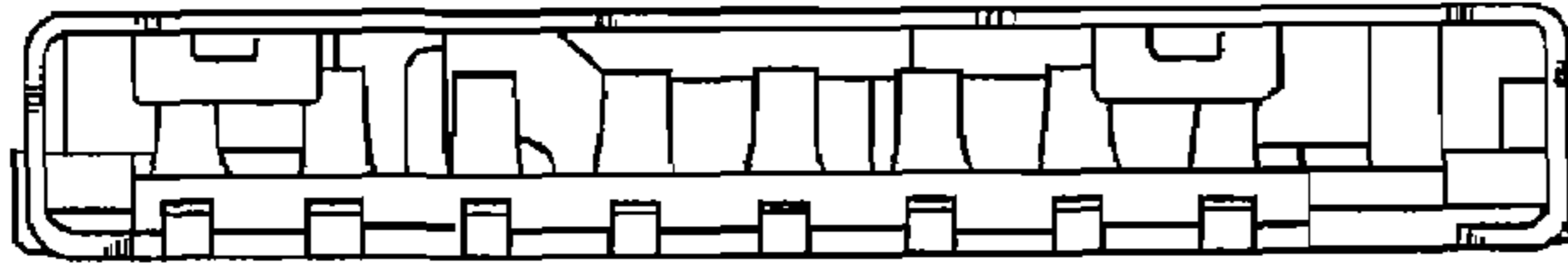


FIG. 2

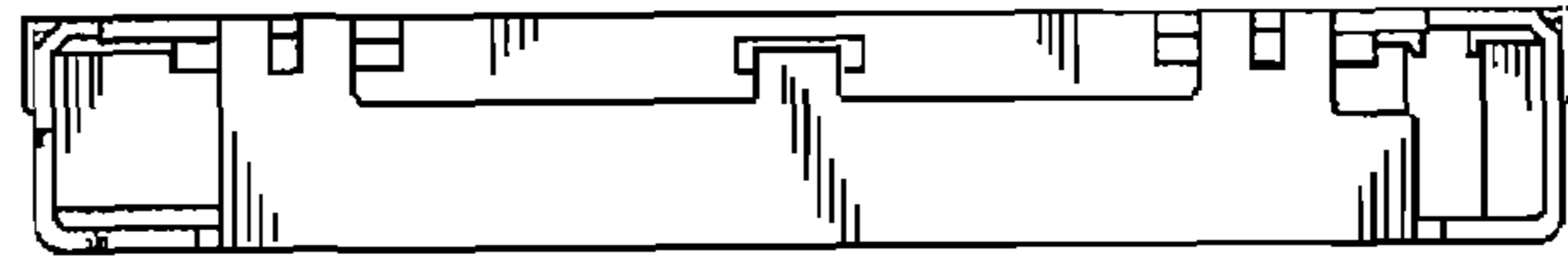


FIG. 3

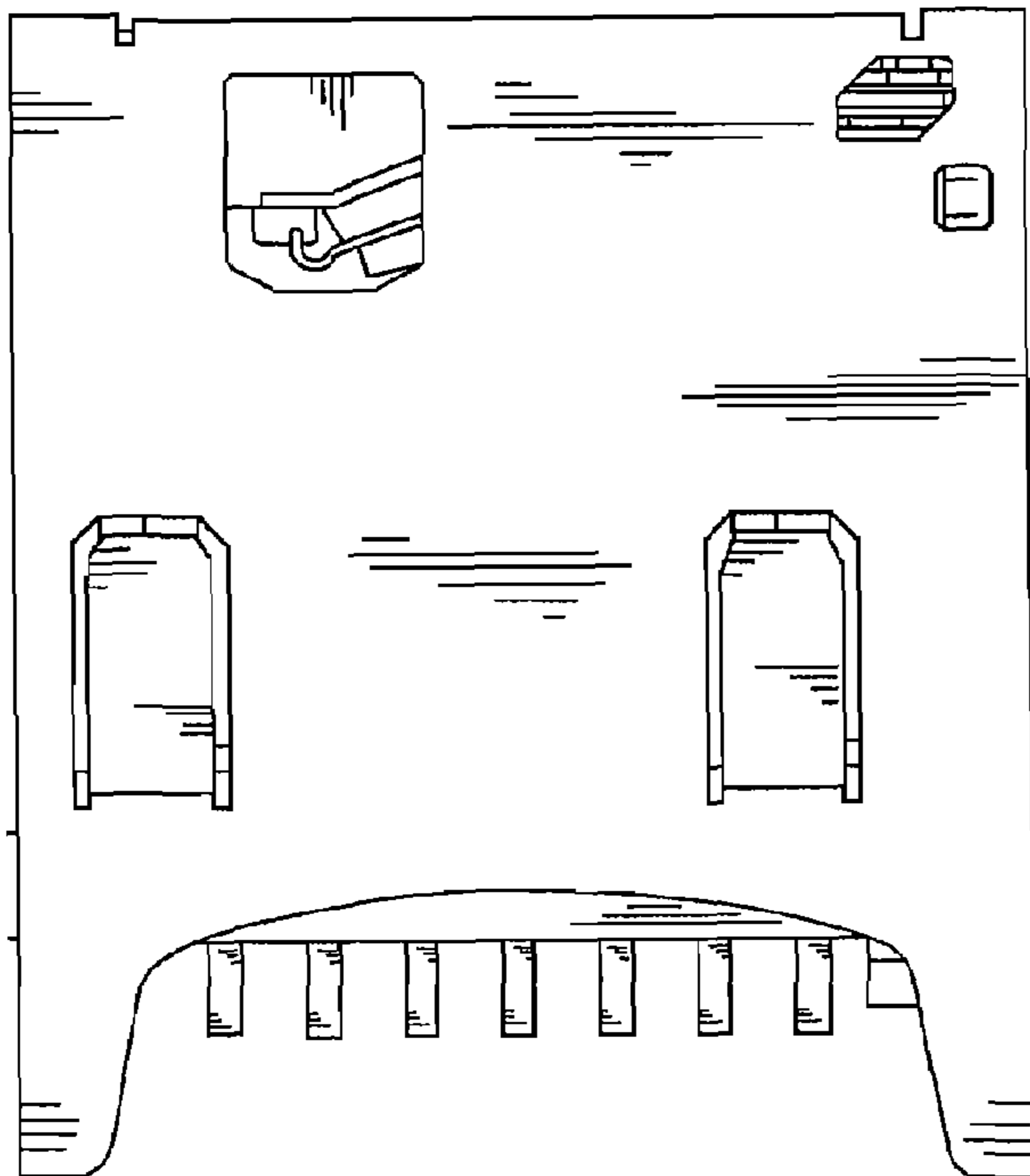


FIG. 4

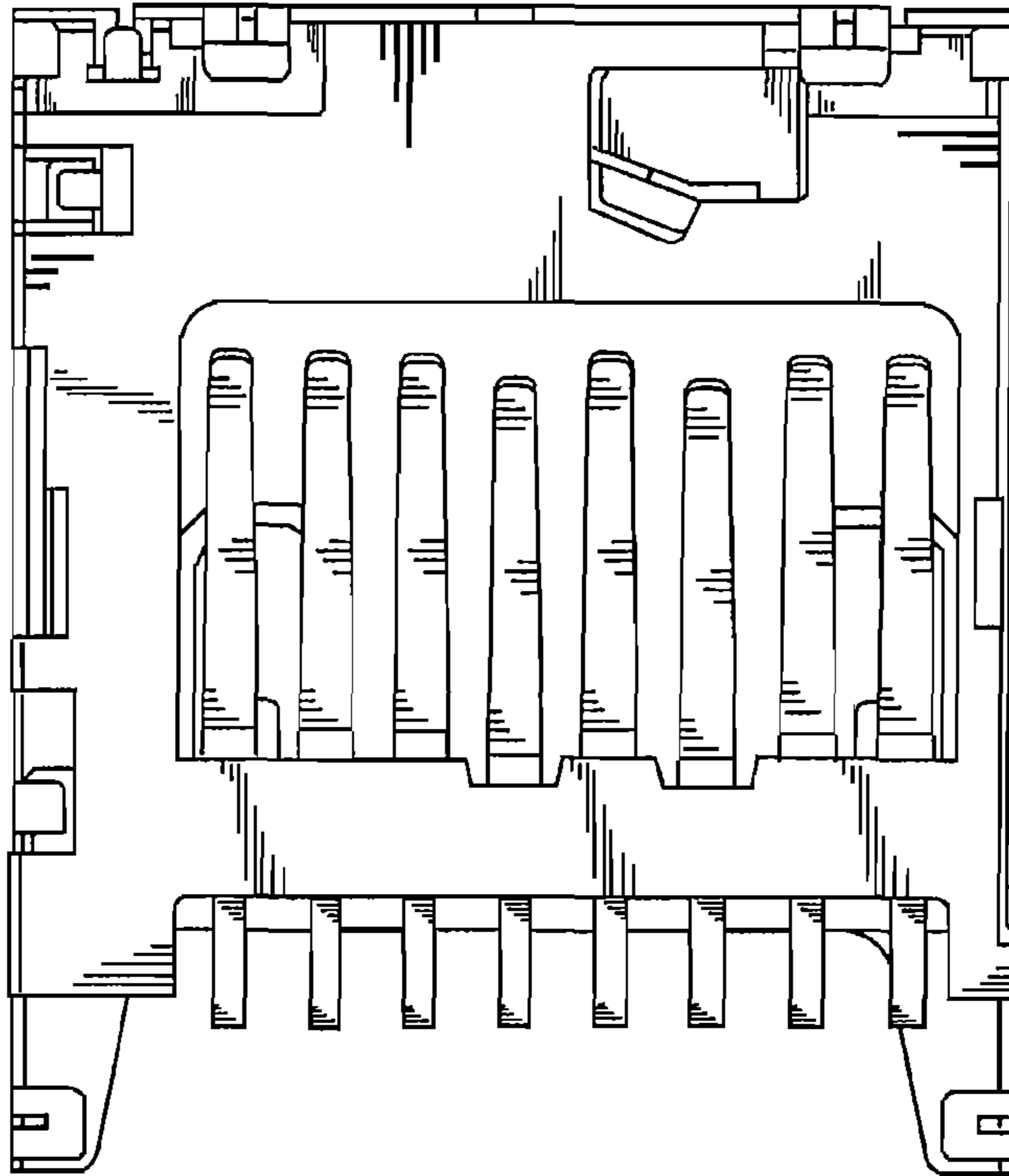


FIG. 5

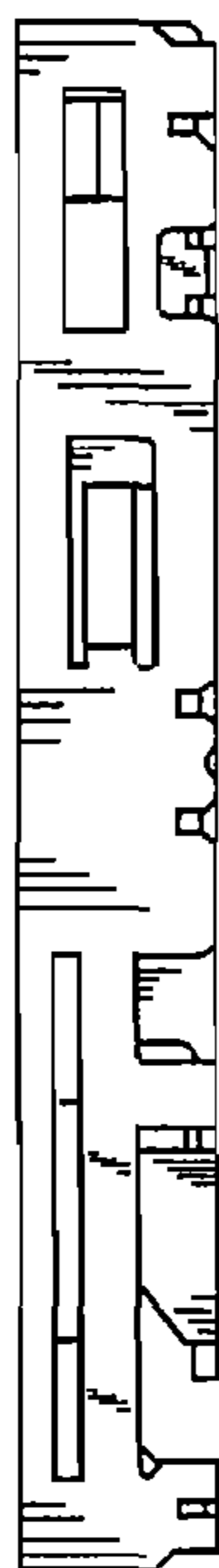


FIG. 6

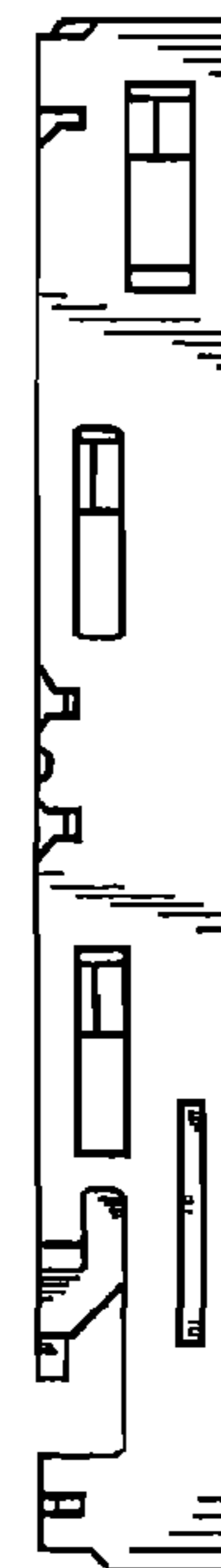


FIG. 7

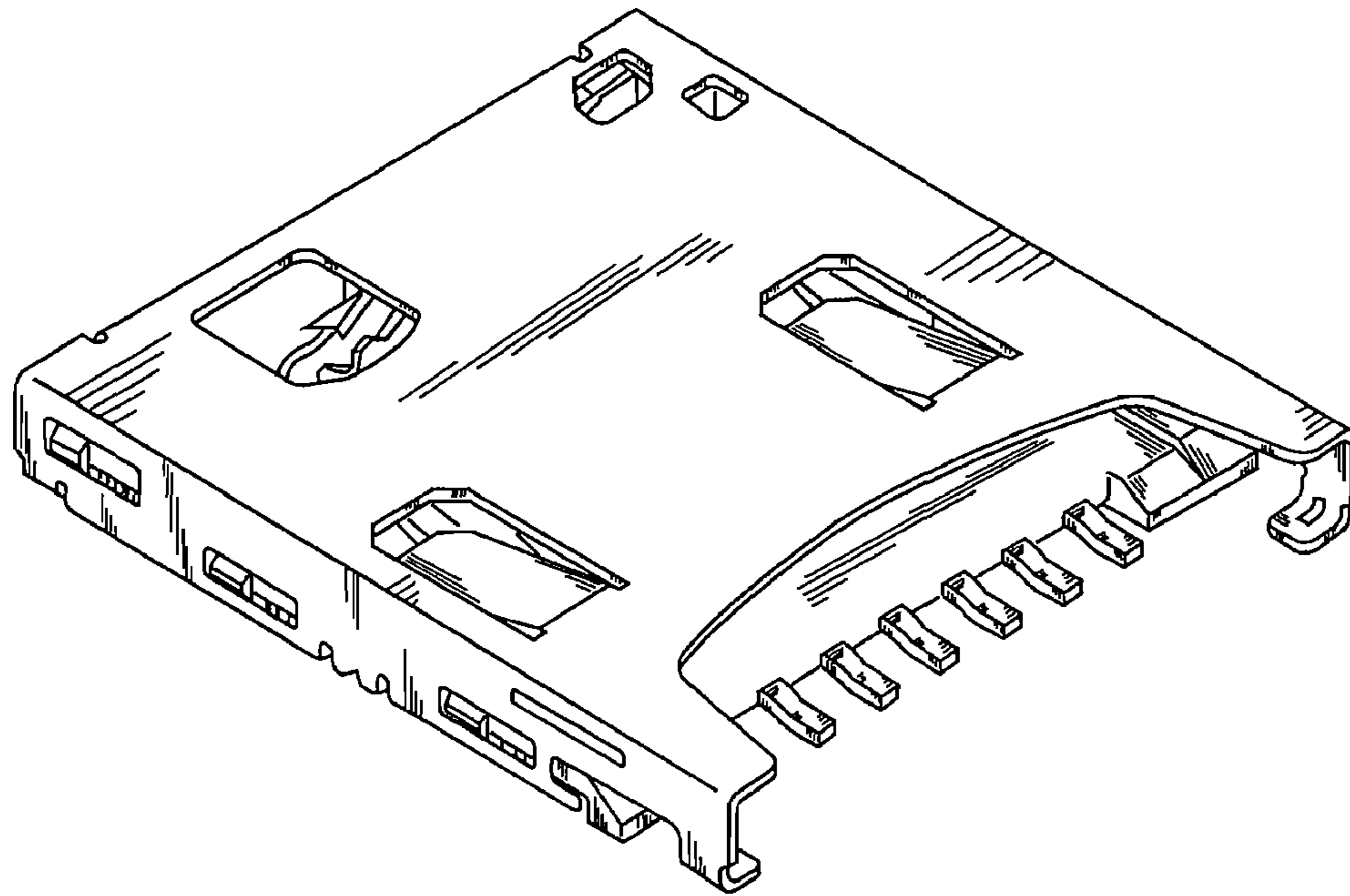


FIG. 8

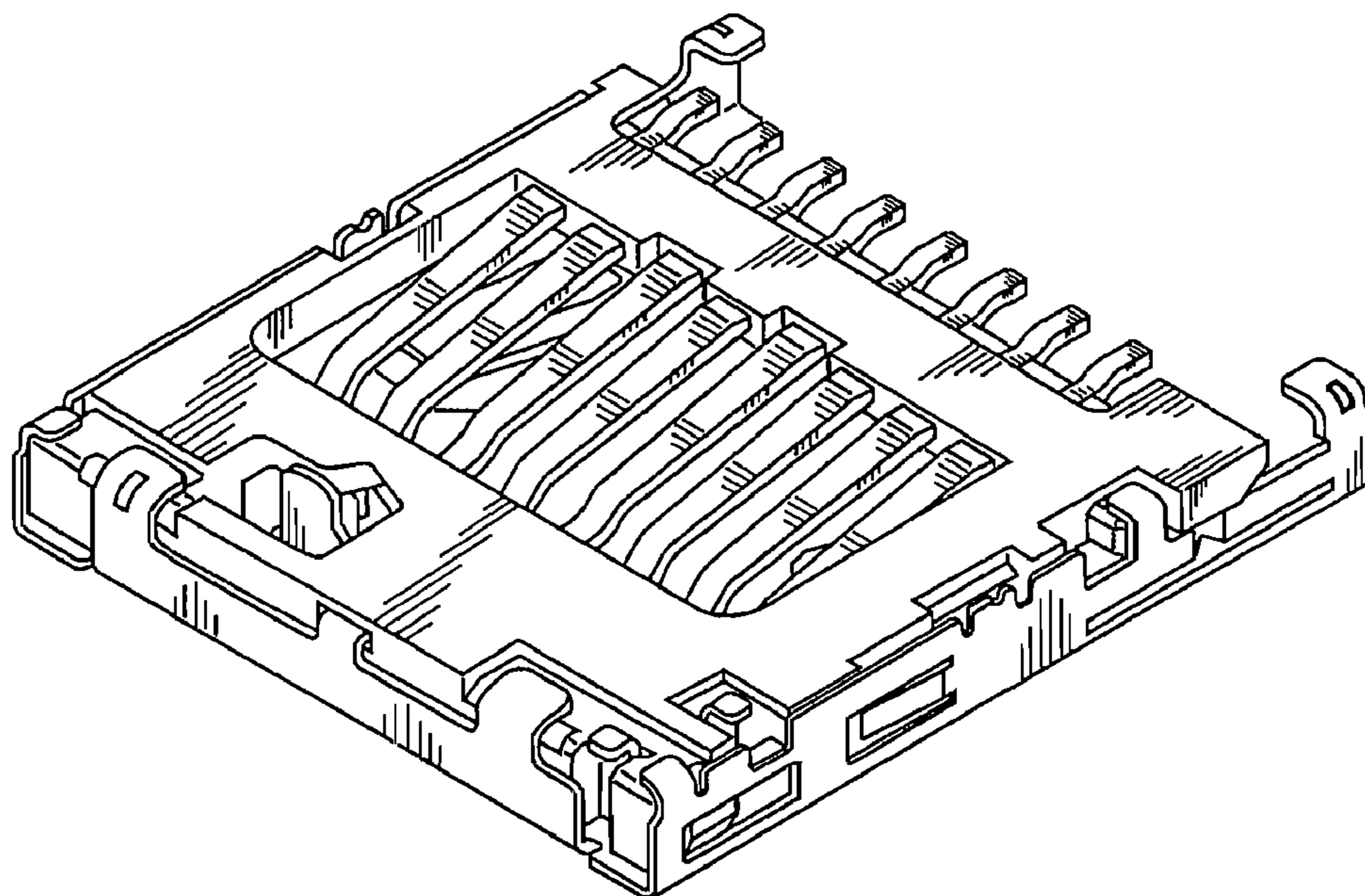


FIG. 9

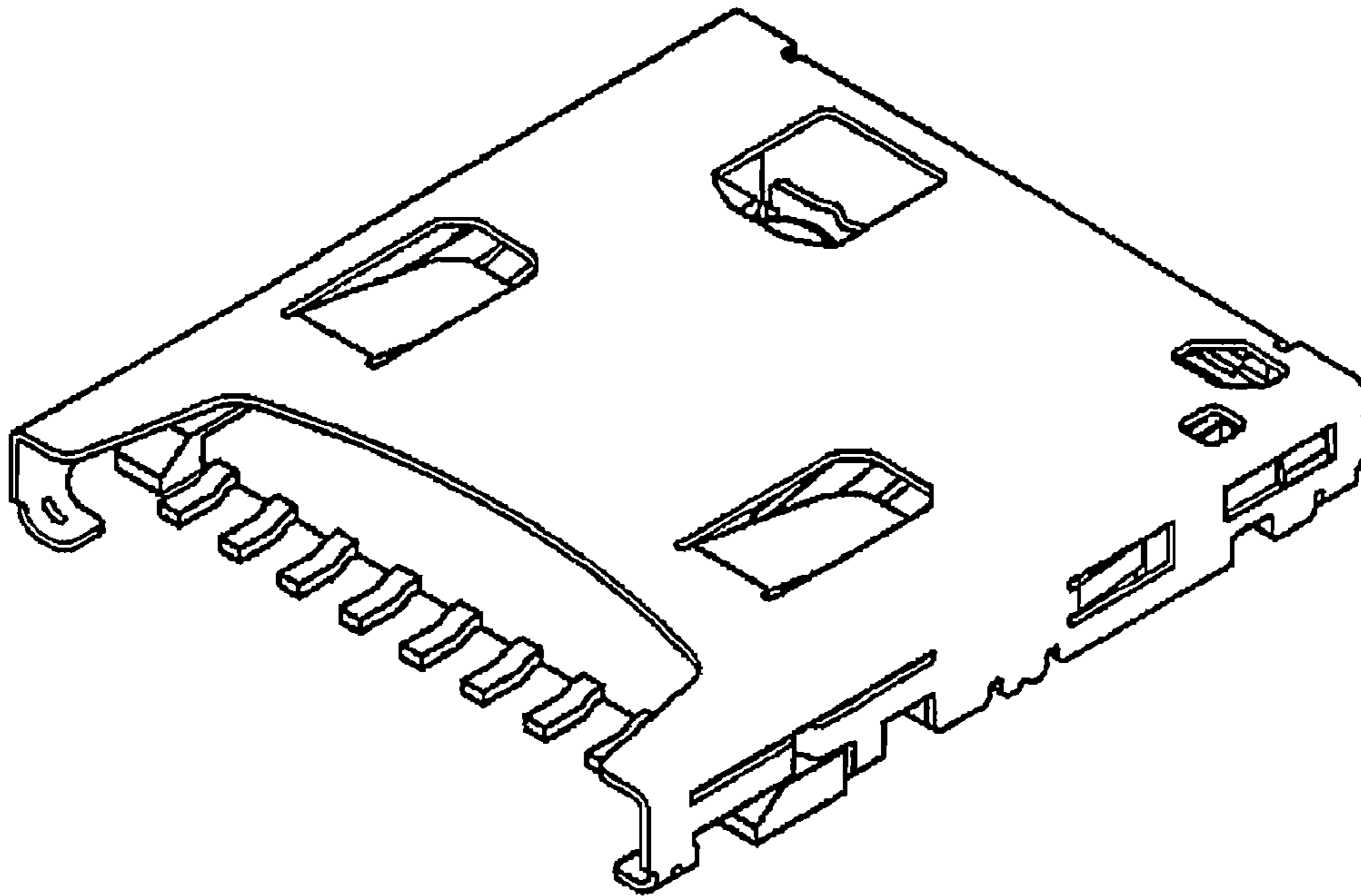


FIG. 10

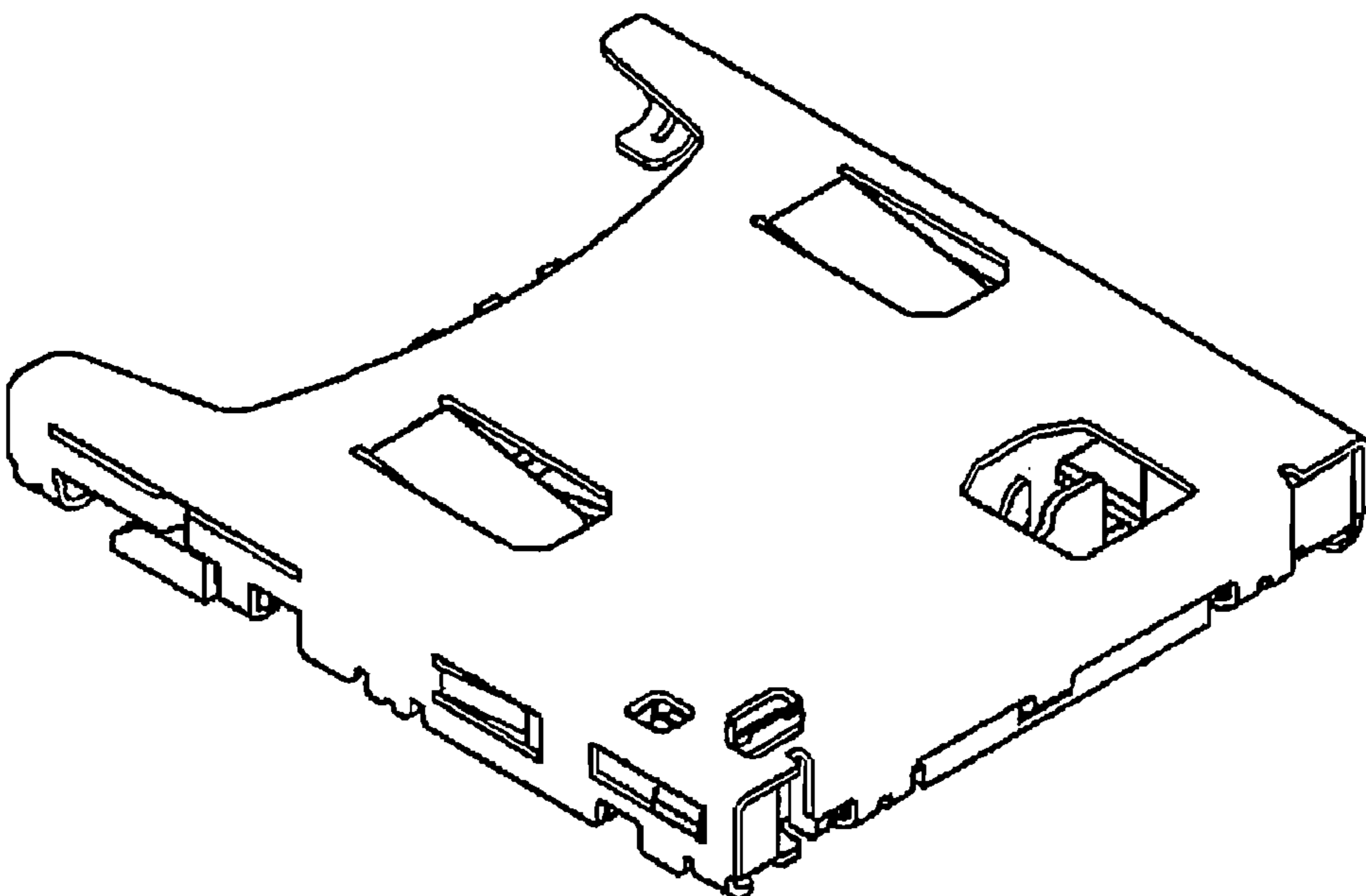


FIG. 11

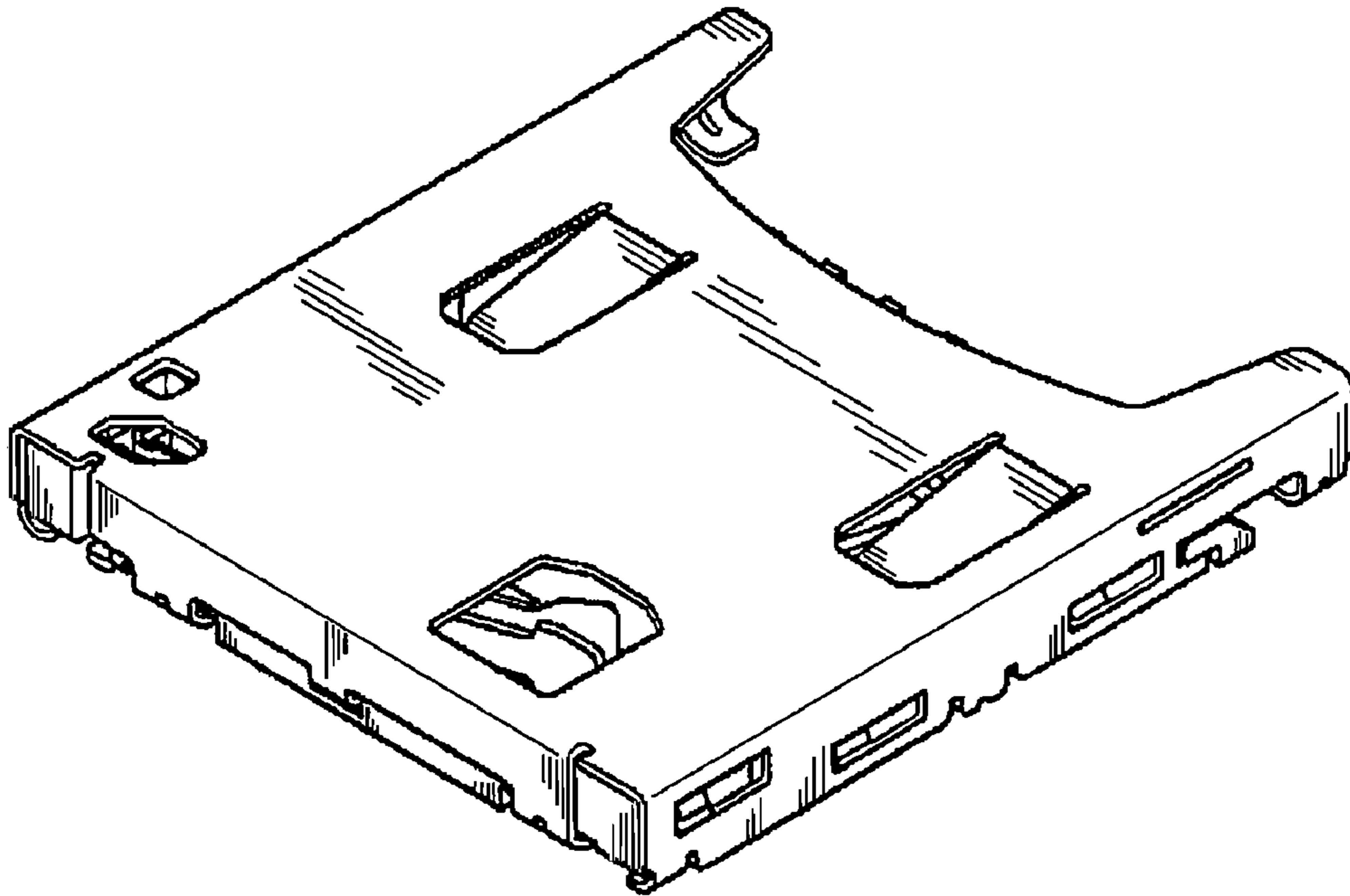


FIG. 12

