



US00D559785S

(12) **United States Design Patent**
Tosetti

(10) **Patent No.:** **US D559,785 S**
(45) **Date of Patent:** **** Jan. 15, 2008**

(54) **CONNECTOR**

(75) Inventor: **Marc Tosetti**, Cortaillod (CH)

(73) Assignee: **Bien-Air Holding SA**, Bienne (CH)

(**) Term: **14 Years**

(21) Appl. No.: **29/260,462**

(22) Filed: **May 25, 2006**

(30) **Foreign Application Priority Data**

Feb. 9, 2006 (CH) 132566

(51) **LOC (8) Cl.** **13-03**

(52) **U.S. Cl.** **D13/147; D13/146; D13/133**

(58) **Field of Classification Search** D13/133,
D13/146-147, 154, 184, 199; 174/88 C;
433/2, 3, 25, 49, 27-28, 52, 103, 91, 118,
433/131; 439/314-316, 359, 362, 372
See application file for complete search history.

(56) **References Cited**

U.S. PATENT DOCUMENTS

2,386,177 A * 10/1945 Andersen 439/294
3,978,586 A * 9/1976 Etherington 433/117

4,330,274 A * 5/1982 Friedman et al. 433/29
D298,931 S * 12/1988 Sekiguchi D13/147
5,476,379 A * 12/1995 Disel 433/29
D420,644 S * 2/2000 Nemser et al. D13/146
D505,918 S * 6/2005 Conway et al. D13/147
D523,812 S * 6/2006 Brodin D13/146
D527,346 S * 8/2006 Brodin D13/146
2005/0181329 A1 * 8/2005 Maitre 433/129

* cited by examiner

Primary Examiner—Daniel Bui

(74) *Attorney, Agent, or Firm*—McGlew and Tuttle, P.C.

(57) **CLAIM**

The ornamental design for a connector, as shown and described.

DESCRIPTION

FIG. 1 is a front end view of my new connector design;

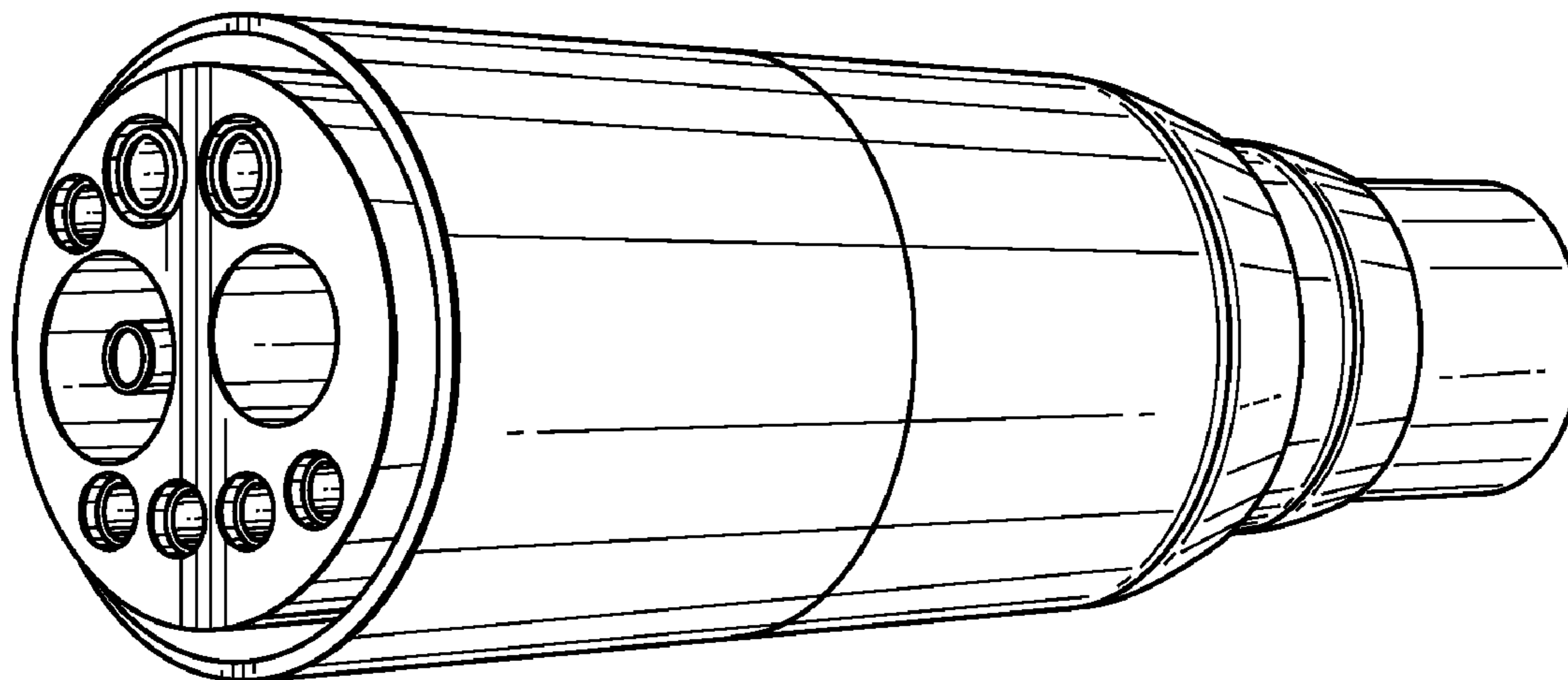
FIG. 2 is a rear end view thereof;

FIG. 3 is a perspective view thereof;

FIG. 4 is a right side view thereof; and,

FIG. 5 is left side view thereof.

1 Claim, 2 Drawing Sheets



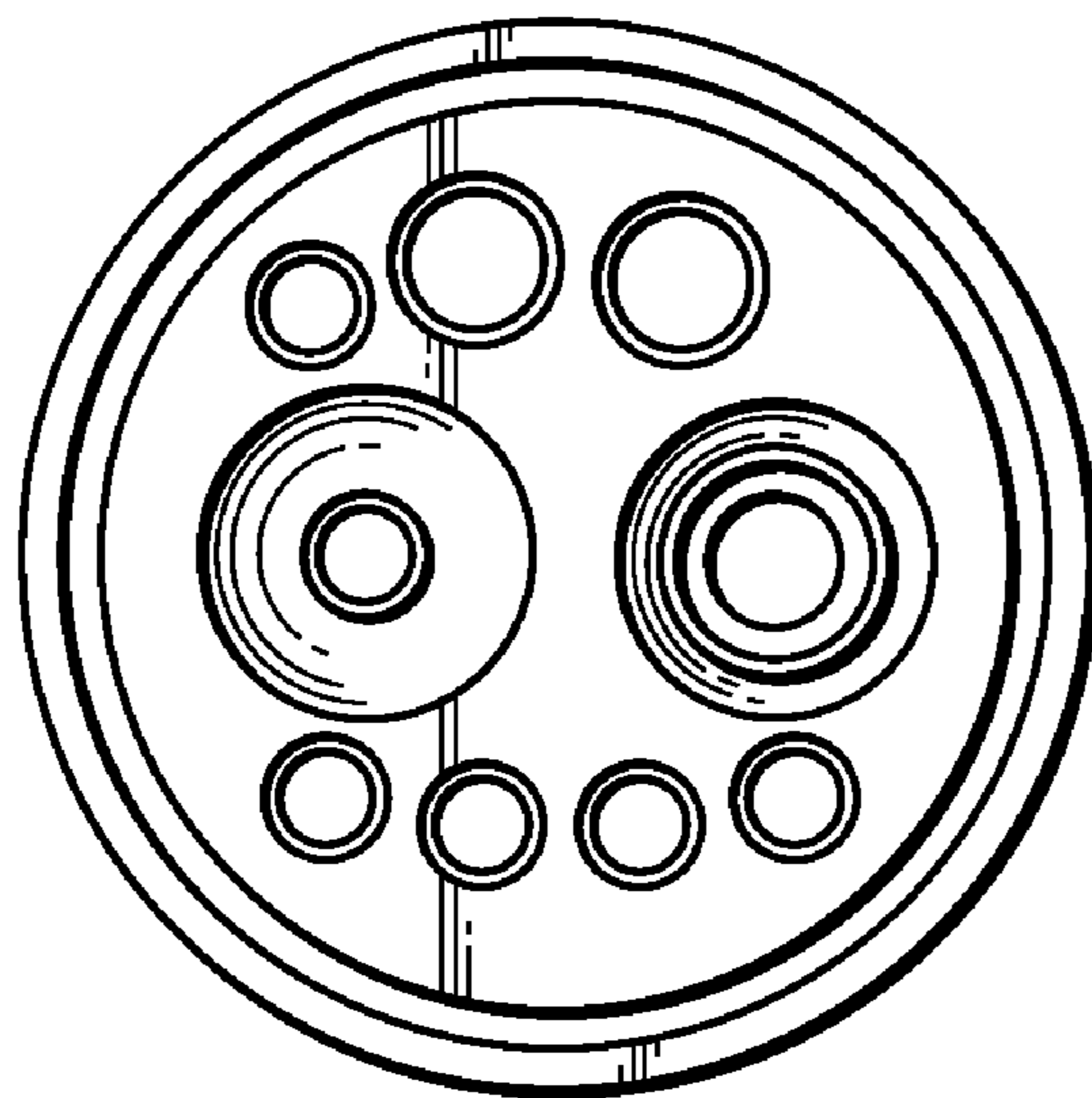


FIG. 1

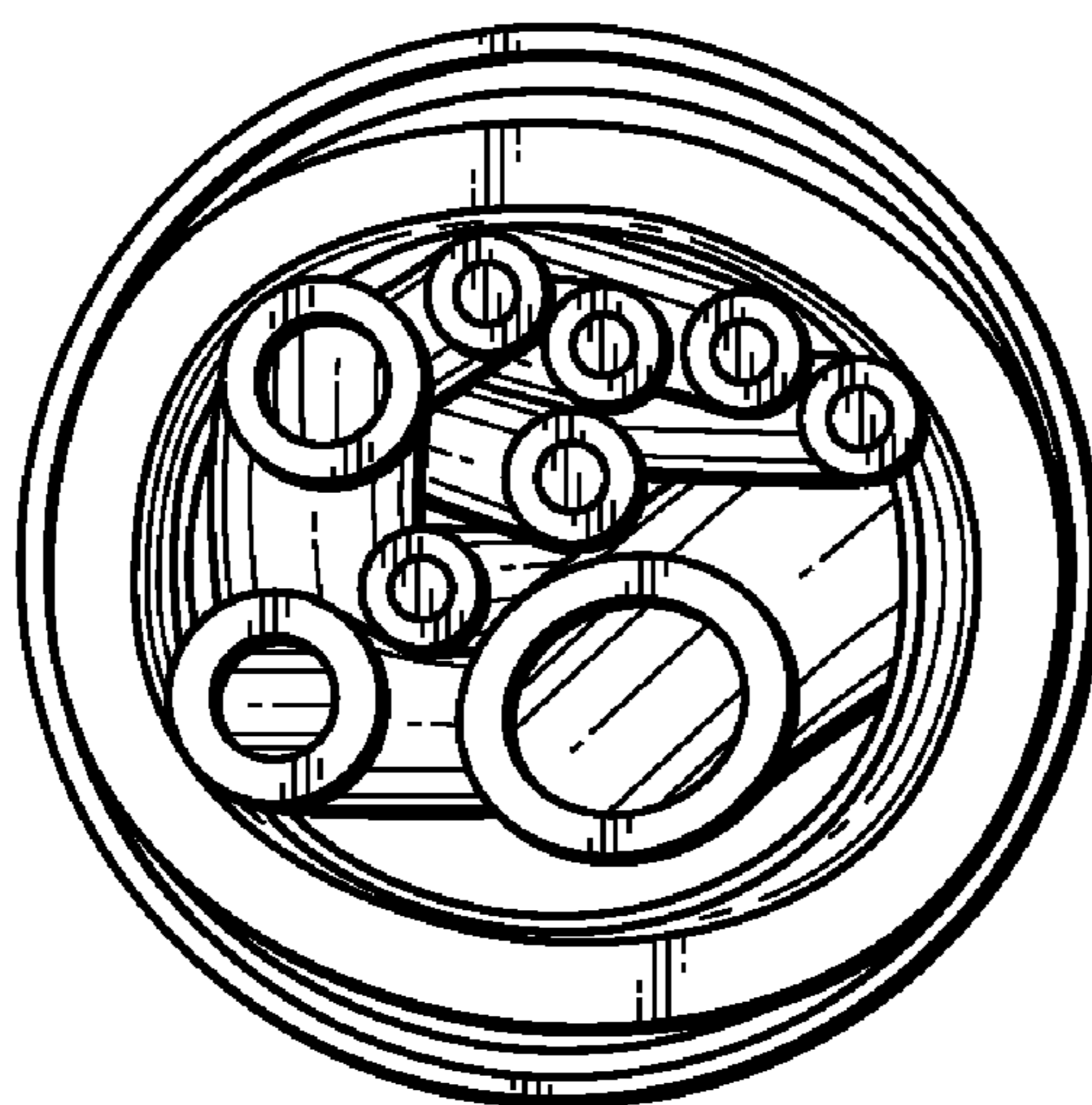


FIG. 2

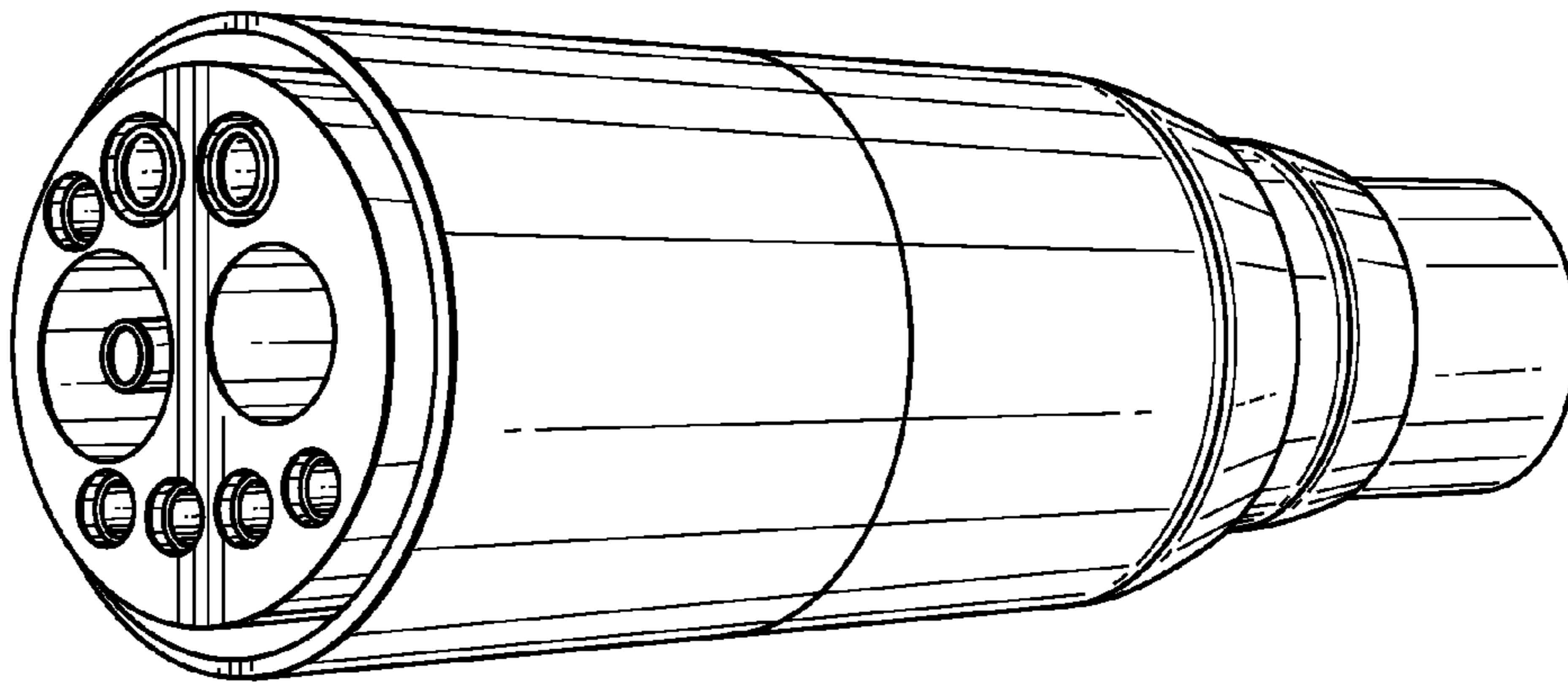


FIG. 3

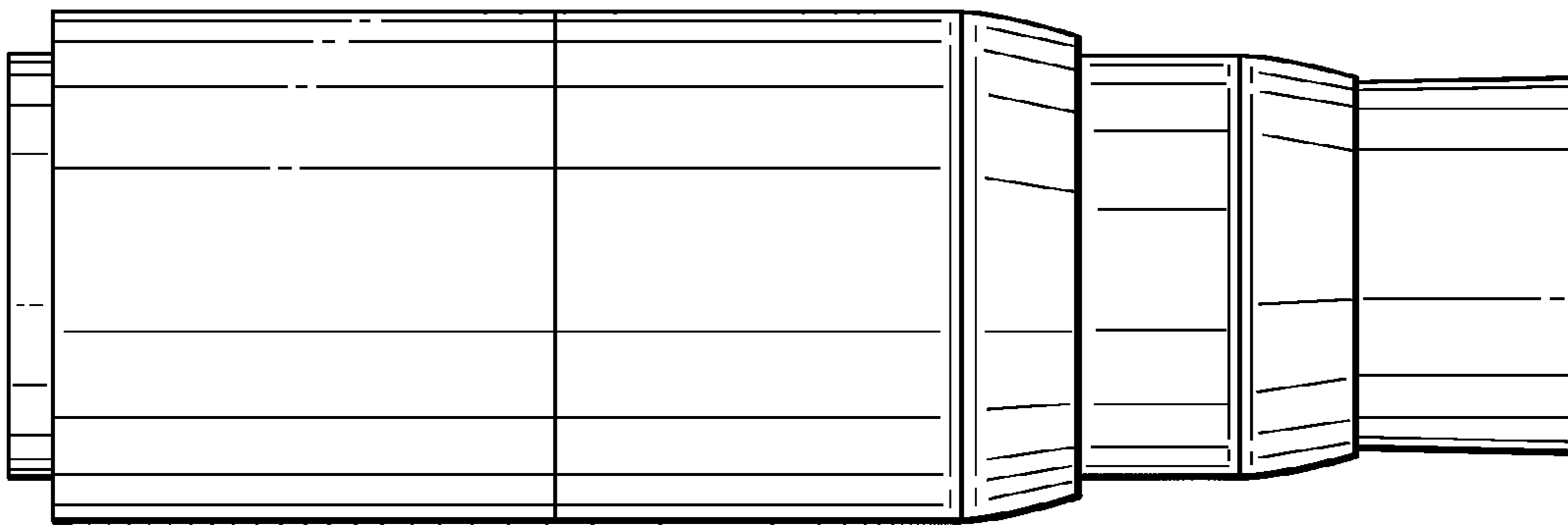


FIG. 4

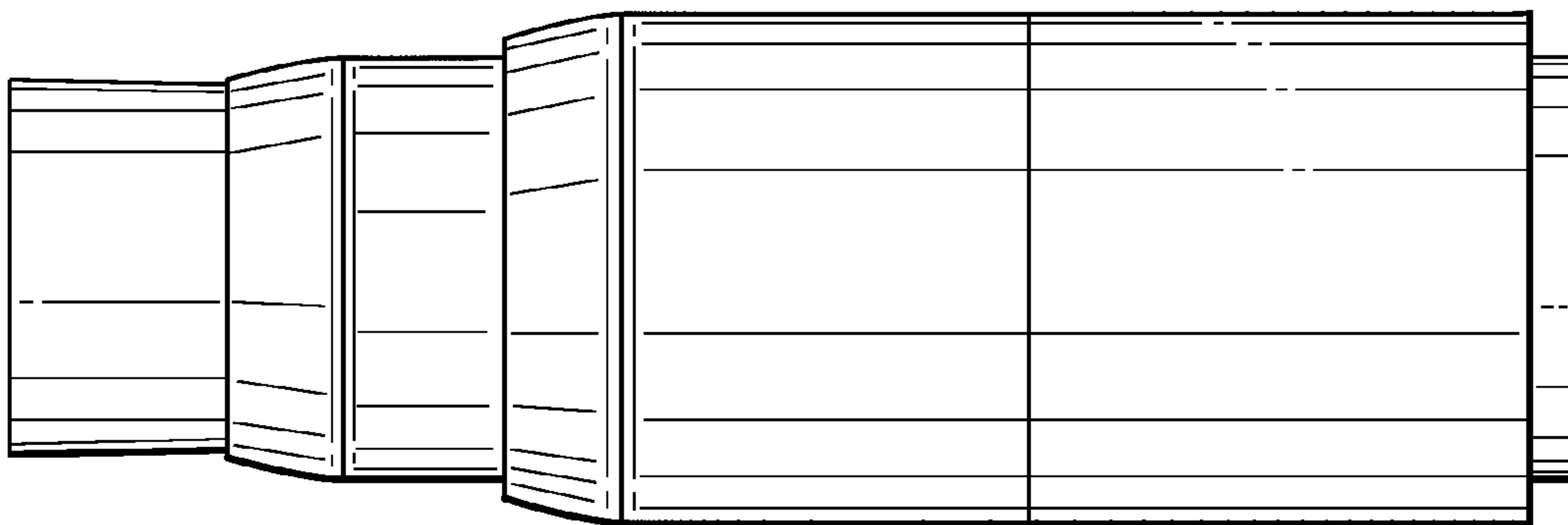


FIG. 5