

US00D559781S

(12) **United States Design Patent**  
**Victor**

(10) **Patent No.:** **US D559,781 S**

(45) **Date of Patent:** **\*\* Jan. 15, 2008**

(54) **HAMMER-HEAD CABLE CONNECTOR**

(76) Inventor: **Jay Victor**, 2017 Bataan Rd., Unit A,  
Redondo Beach, CA (US) 90278

(\*\*) Term: **14 Years**

(21) Appl. No.: **29/259,448**

(22) Filed: **May 9, 2006**

(51) **LOC (8) Cl.** ..... **13-03**

(52) **U.S. Cl.** ..... **D13/133; D13/154**

(58) **Field of Classification Search** ..... D13/133,  
D13/146, 147, 154, 156, 184, 199; D14/433;  
439/447, 483, 606-610, 668, 669, 675, 676,  
439/680, 687, 750

See application file for complete search history.

(56) **References Cited**

**U.S. PATENT DOCUMENTS**

D203,748 S *	2/1966	Seidoh .....	D13/133
D204,136 S *	3/1966	Schaefer .....	D13/133
D222,263 S *	10/1971	De Sio .....	D13/133
D244,610 S *	6/1977	Gietzen .....	D13/133
D244,611 S *	6/1977	Gietzen .....	D13/133
4,400,048 A *	8/1983	Sacks .....	334/46
D332,597 S *	1/1993	Dalgleish .....	D13/133
D360,400 S *	7/1995	Pitcher .....	D13/133
D450,298 S *	11/2001	Suzuki .....	D13/133
D480,050 S *	9/2003	Darrow et al. ....	D13/133

D496,909 S \* 10/2004 D'Addario et al. .... D13/154  
D521,933 S \* 5/2006 Wade et al. .... D13/147

\* cited by examiner

*Primary Examiner*—Cathron C. Brooks  
*Assistant Examiner*—Rosemary K. Tarcza

(57) **CLAIM**

The ornamental design for a hammer-head cable connector,  
as shown and described.

**DESCRIPTION**

FIG. 1 is a partial rear perspective view of a hammer-head  
cable connector;

FIG. 2 is a partial front perspective view of the hammer-head  
cable connector shown in FIG. 1;

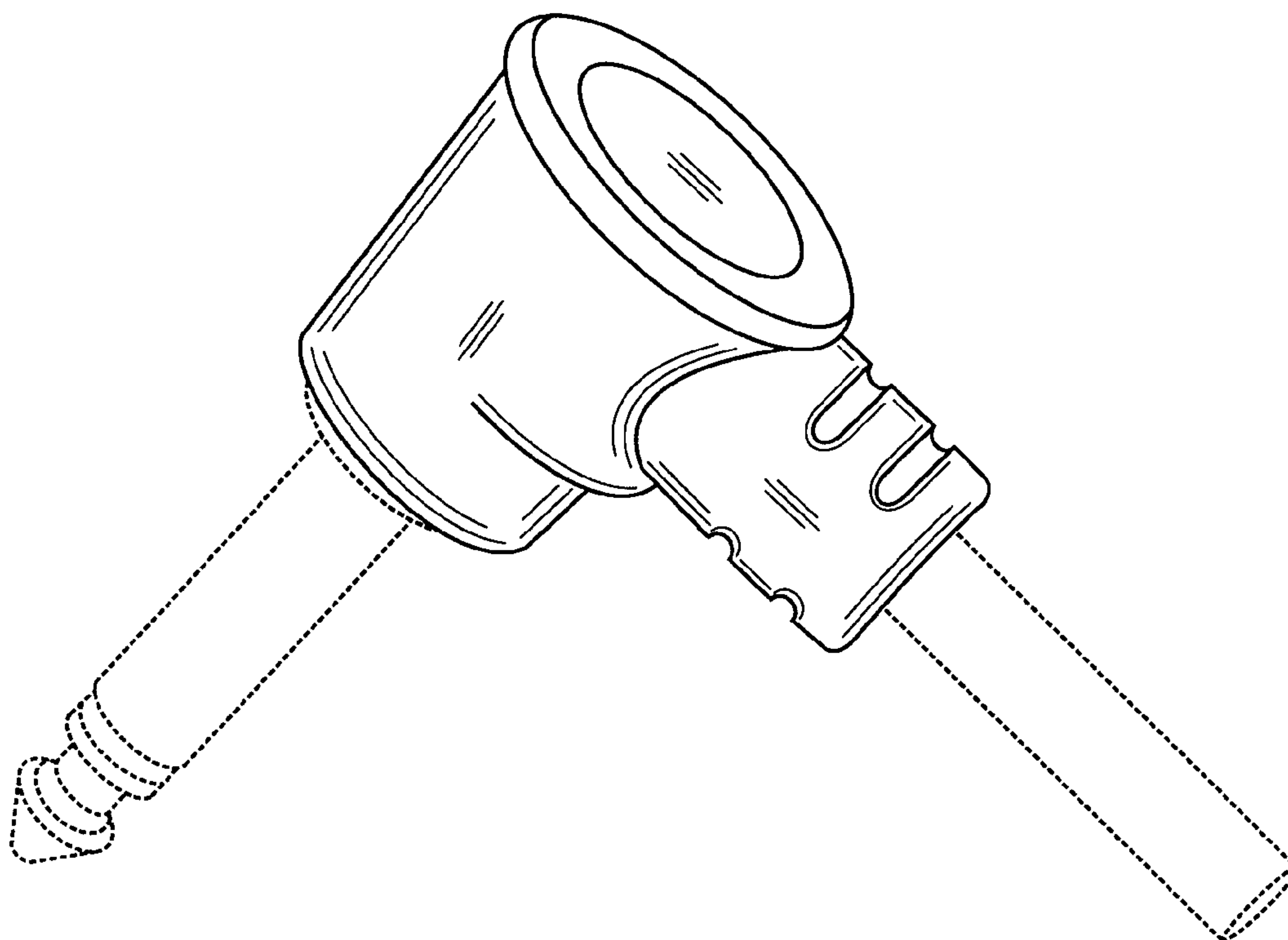
FIG. 3 is a side view of the hammer-head cable connector  
shown in FIG. 1; the opposite side of the view shown in FIG.  
3 is a mirror image of the side view shown;

FIG. 4 is a rear view of the hammer-head cable connector  
shown in FIG. 1; and,

FIG. 5 is a top view of the hammer-head cable connector  
shown in FIG. 1.

The broken lines showing a pin in FIGS. 1-3 and 5, and a  
cable line in FIGS. 1-4 are for illustrative purposes only and  
form no part of the claimed design.

**1 Claim, 5 Drawing Sheets**



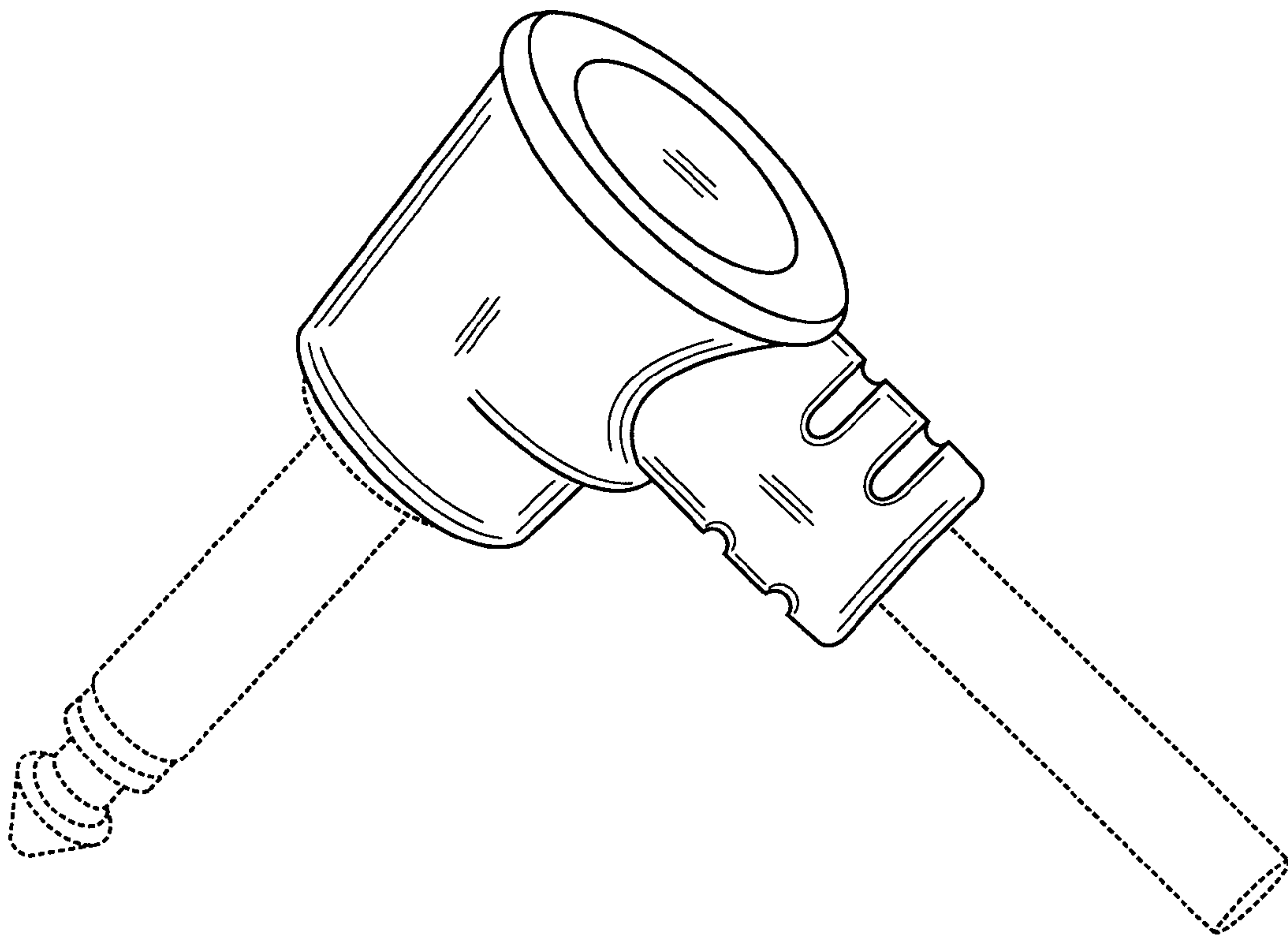


FIG. 1

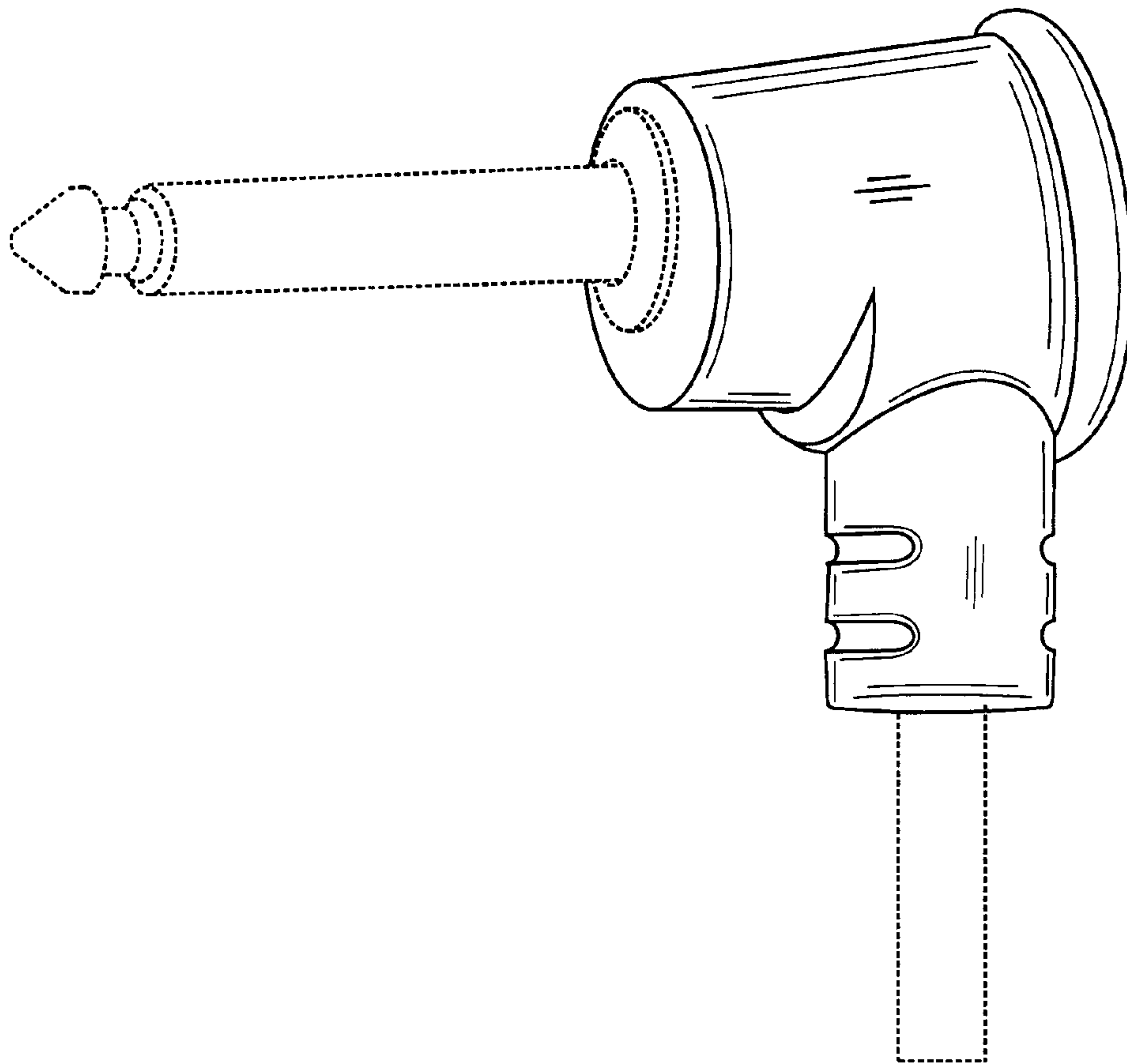


FIG. 2

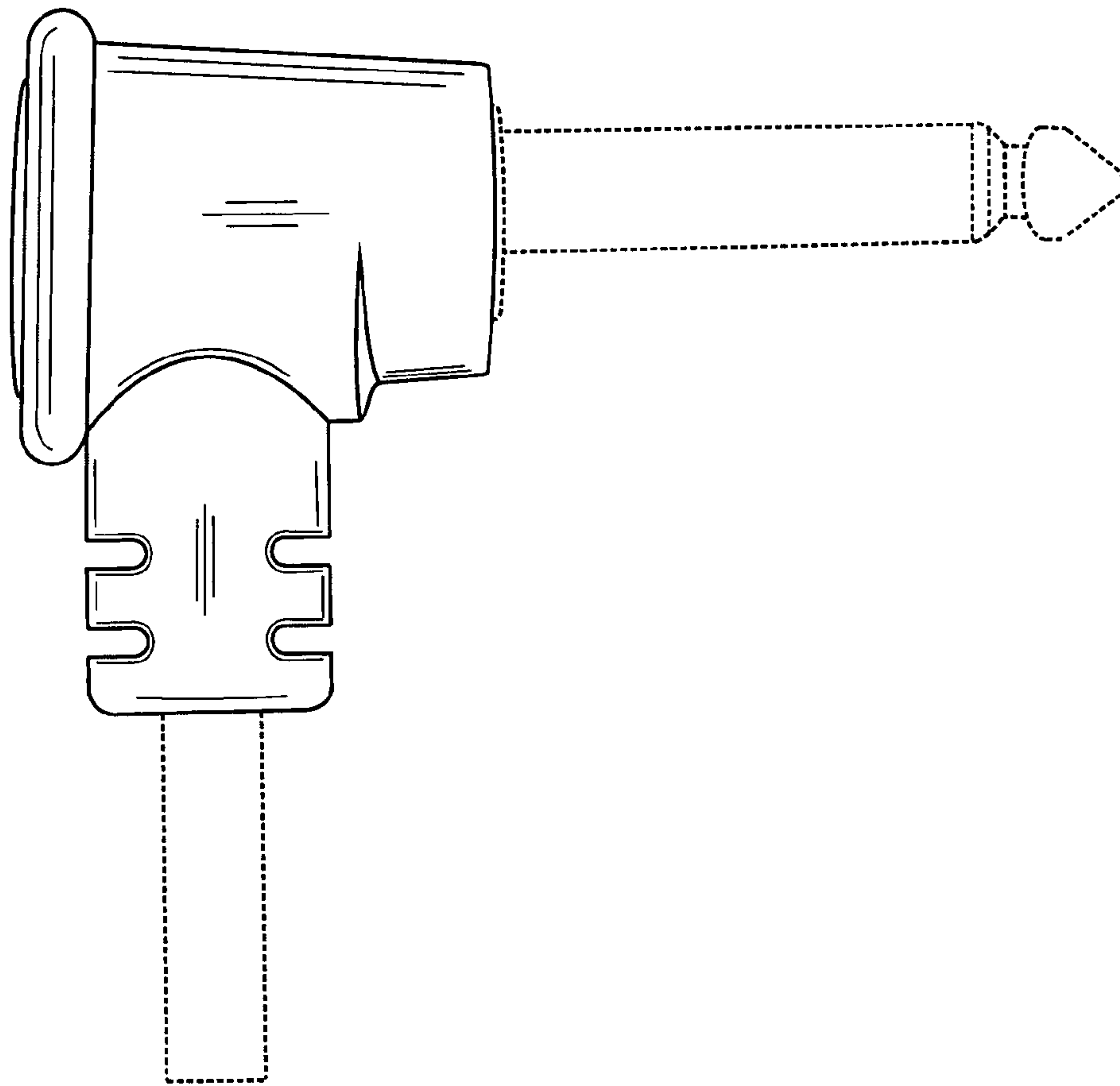


FIG. 3

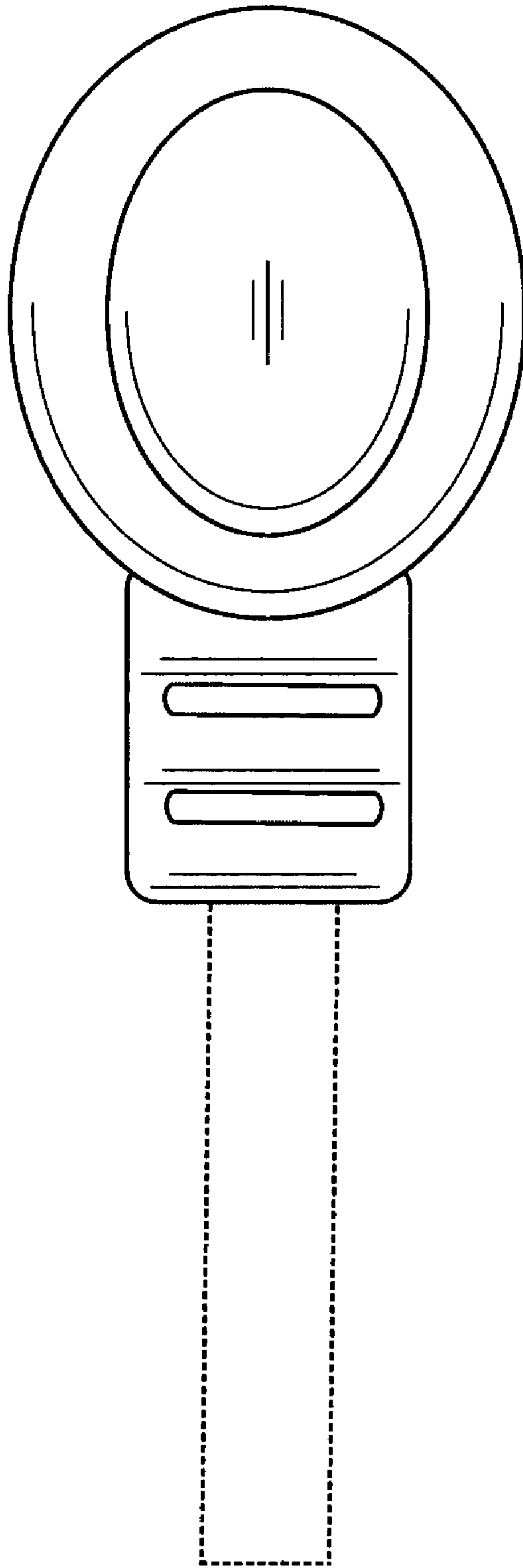


FIG. 4

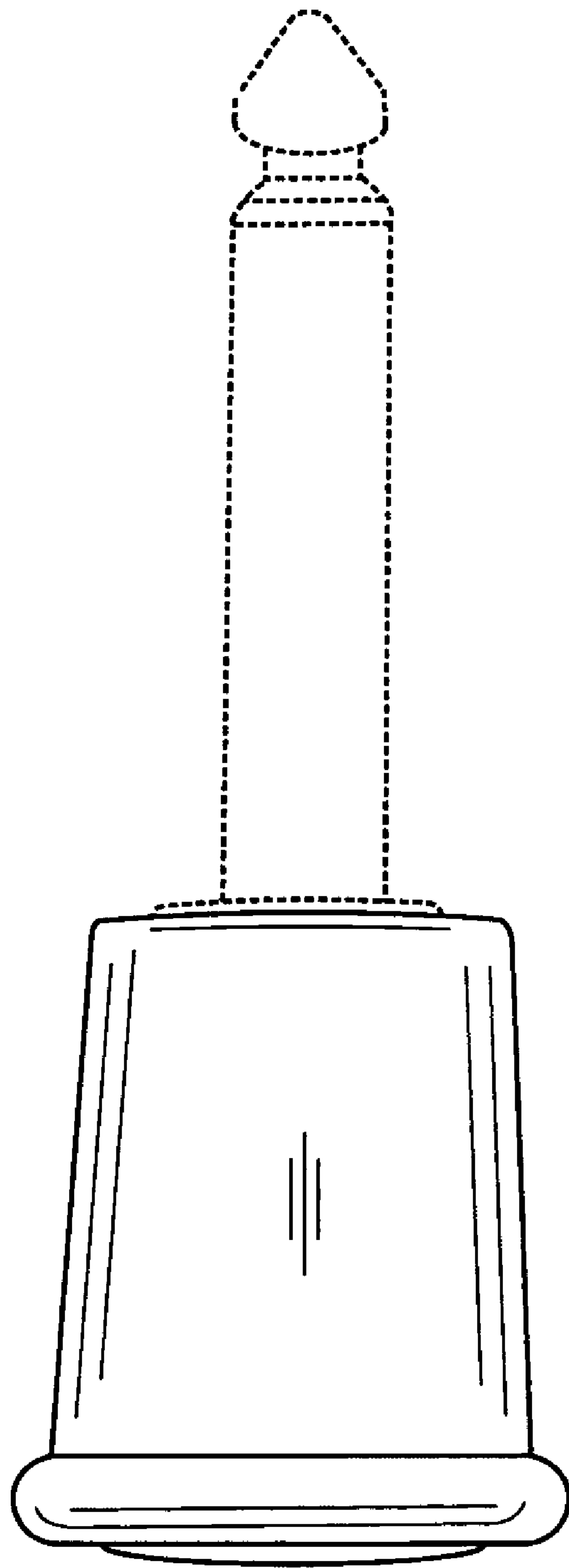


FIG. 5