



US00D559778S

(12) **United States Design Patent**
Tsuzuki et al.

(10) **Patent No.:** **US D559,778 S**
(45) **Date of Patent:** **** Jan. 15, 2008**

(54) **DC TO AC POWER INVERTER FOR A VEHICLE ELECTRICAL SYSTEM**

(75) Inventors: **Toshihiko Tsuzuki**, Kariya (JP);
Akihiro Kodama, Kariya (JP)

(73) Assignee: **Kabushiki Kaisha Toyota Jidoshokki**,
Kariya-Shi (JP)

(**) Term: **14 Years**

(21) Appl. No.: **29/273,337**

(22) Filed: **Mar. 2, 2007**

(30) **Foreign Application Priority Data**

Sep. 4, 2006 (JP) 2006-023630

(51) **LOC (8) Cl.** **13-02**

(52) **U.S. Cl.** **D13/110**

(58) **Field of Classification Search** D13/110,
D13/123, 184, 199; 337/186; 361/600,
361/601, 730; 363/141, 142

See application file for complete search history.

(56) **References Cited**

U.S. PATENT DOCUMENTS

- 4,872,102 A * 10/1989 Getter 363/141
- 5,170,336 A * 12/1992 Getter et al. 363/141
- D349,682 S * 8/1994 Hunziker D13/110
- D413,567 S * 9/1999 Person et al. D13/110

- 5,949,640 A * 9/1999 Cameron et al. 361/600
- D426,810 S * 6/2000 Wei D13/110
- D427,146 S * 6/2000 Wei D13/110
- D427,147 S * 6/2000 Wei D13/110
- D427,148 S * 6/2000 Wei D13/110

* cited by examiner

Primary Examiner—Prabhakar Deshmukh

Assistant Examiner—Derrick Holland

(74) *Attorney, Agent, or Firm*—Morgan & Finnegan, L.L.P.

(57) **CLAIM**

The ornamental design for a DC to AC power inverter for a vehicle electrical system, as shown and described.

DESCRIPTION

FIG. 1 is a front perspective view of a DC to AC power inverter for a vehicle electrical system showing our new design;

FIG. 2 is a rear perspective view thereof;

FIG. 3 is a front view thereof;

FIG. 4 is a rear view thereof;

FIG. 5 is a top plan view thereof;

FIG. 6 is a bottom plan view thereof;

FIG. 7 is a right side elevational view thereof; and,

FIG. 8 is a left side elevational view thereof.

1 Claim, 6 Drawing Sheets

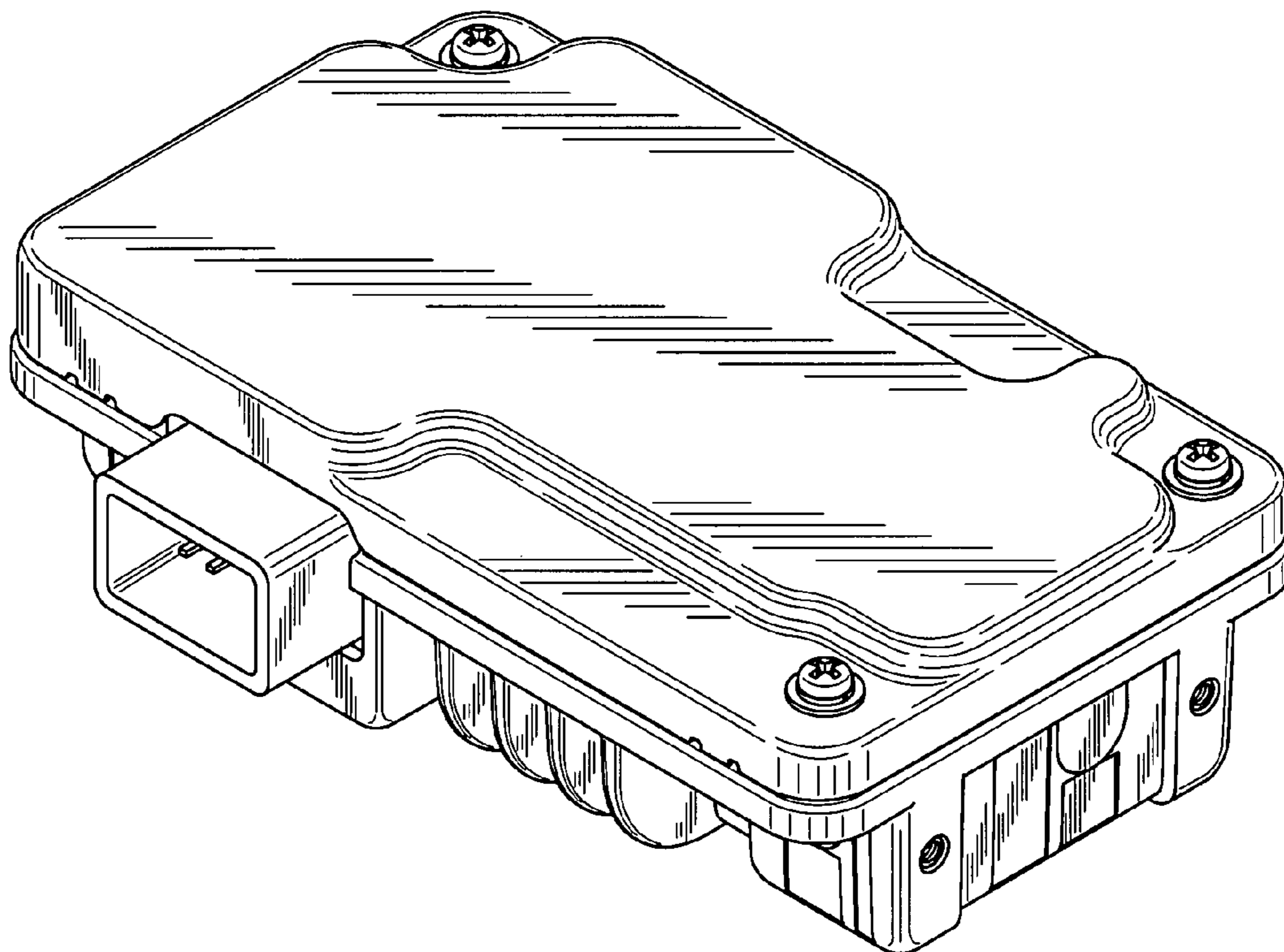


FIG. 1

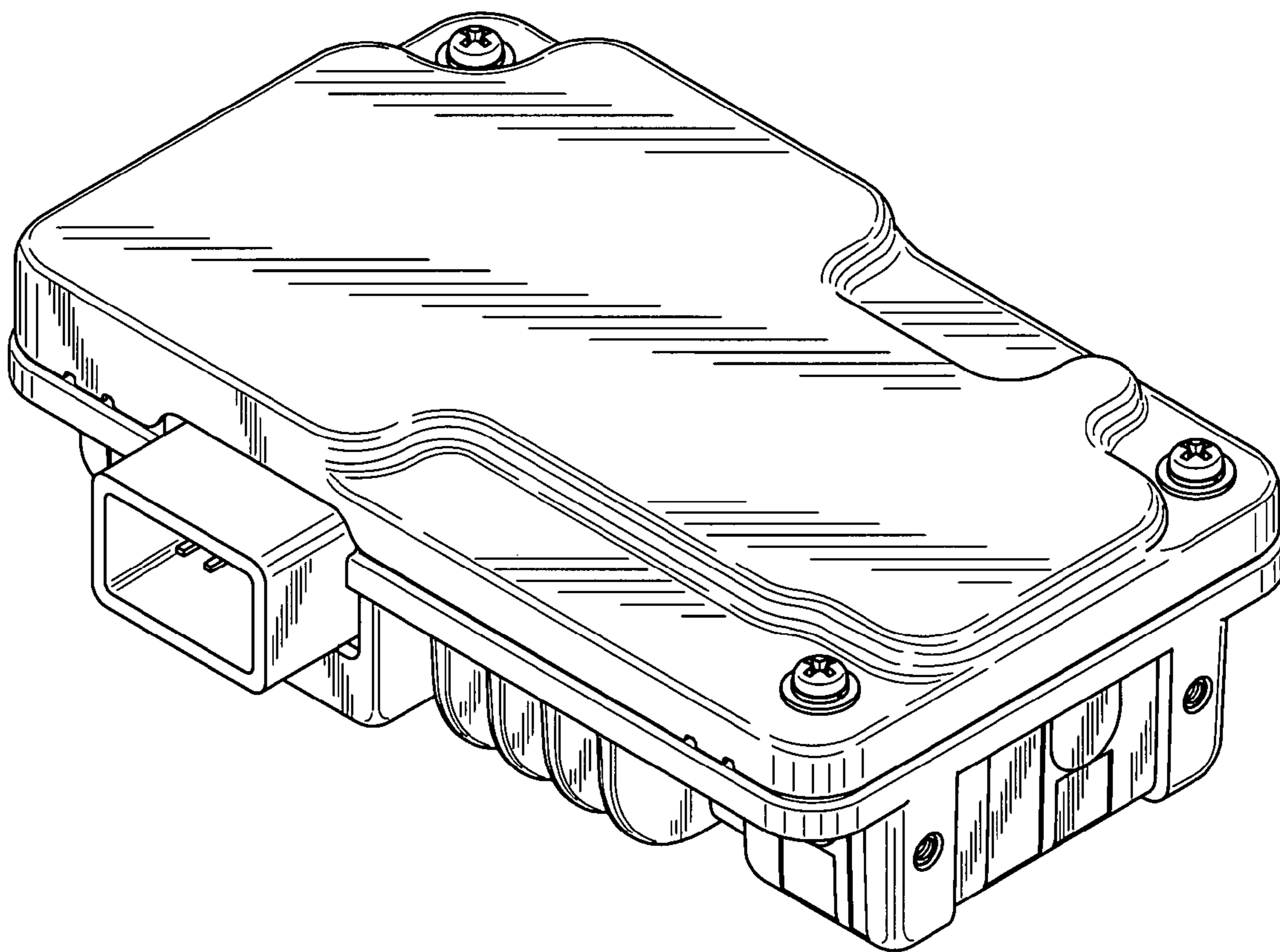


FIG. 2

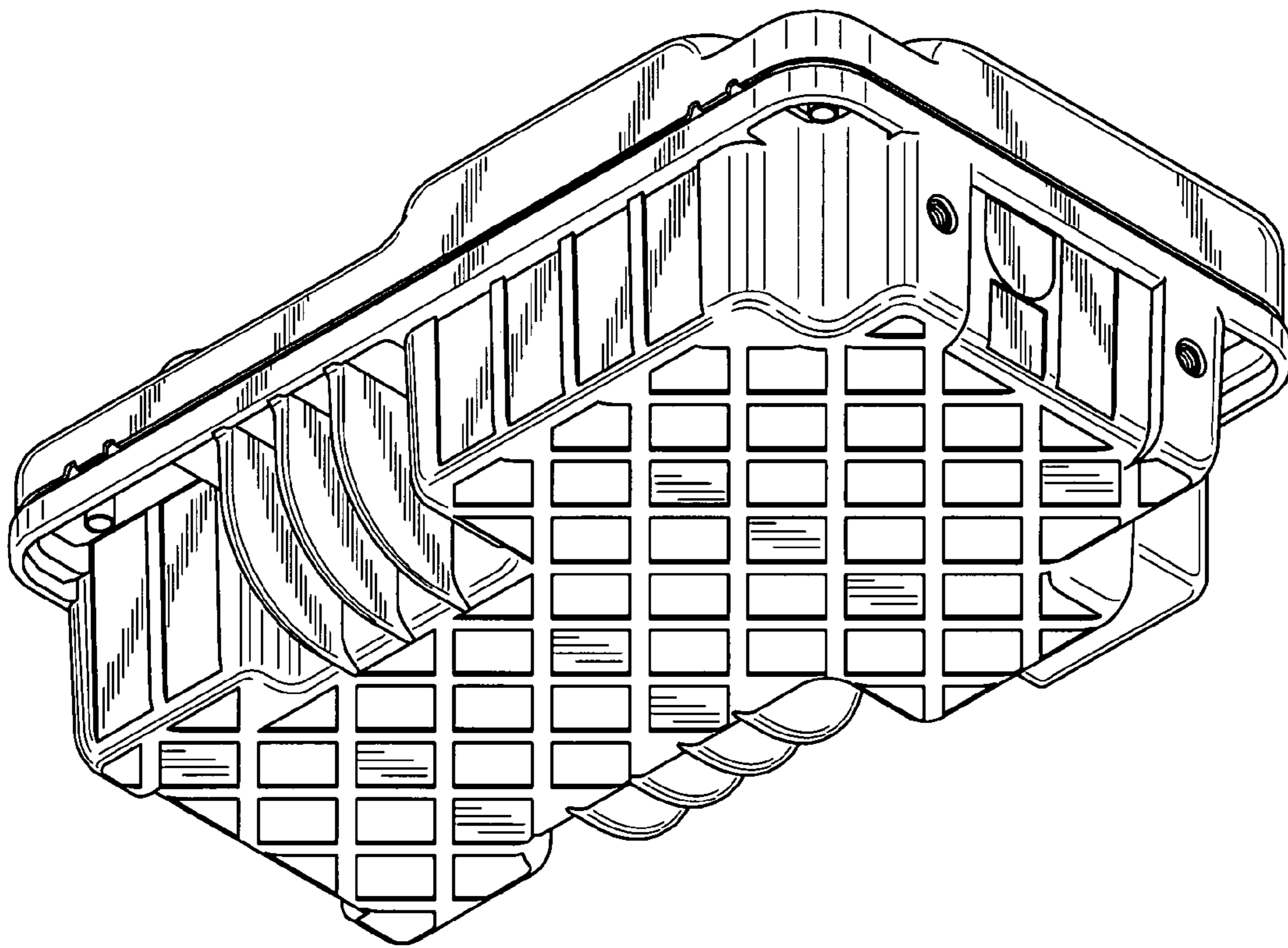


FIG. 3

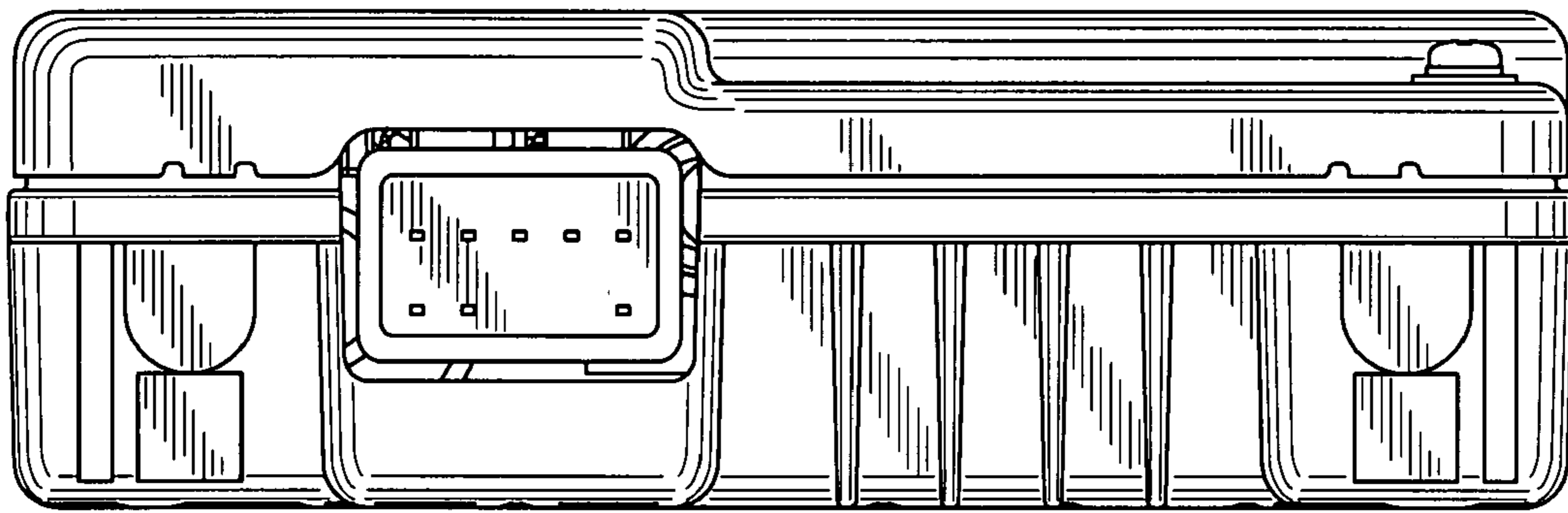


FIG. 4

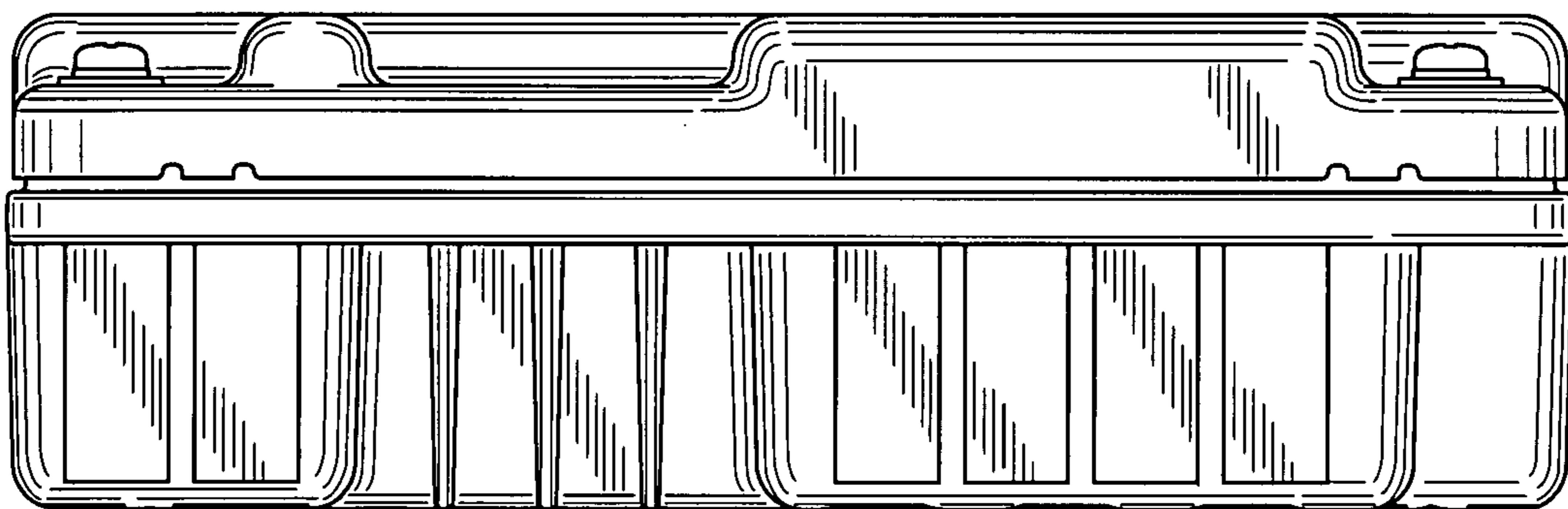


FIG. 5

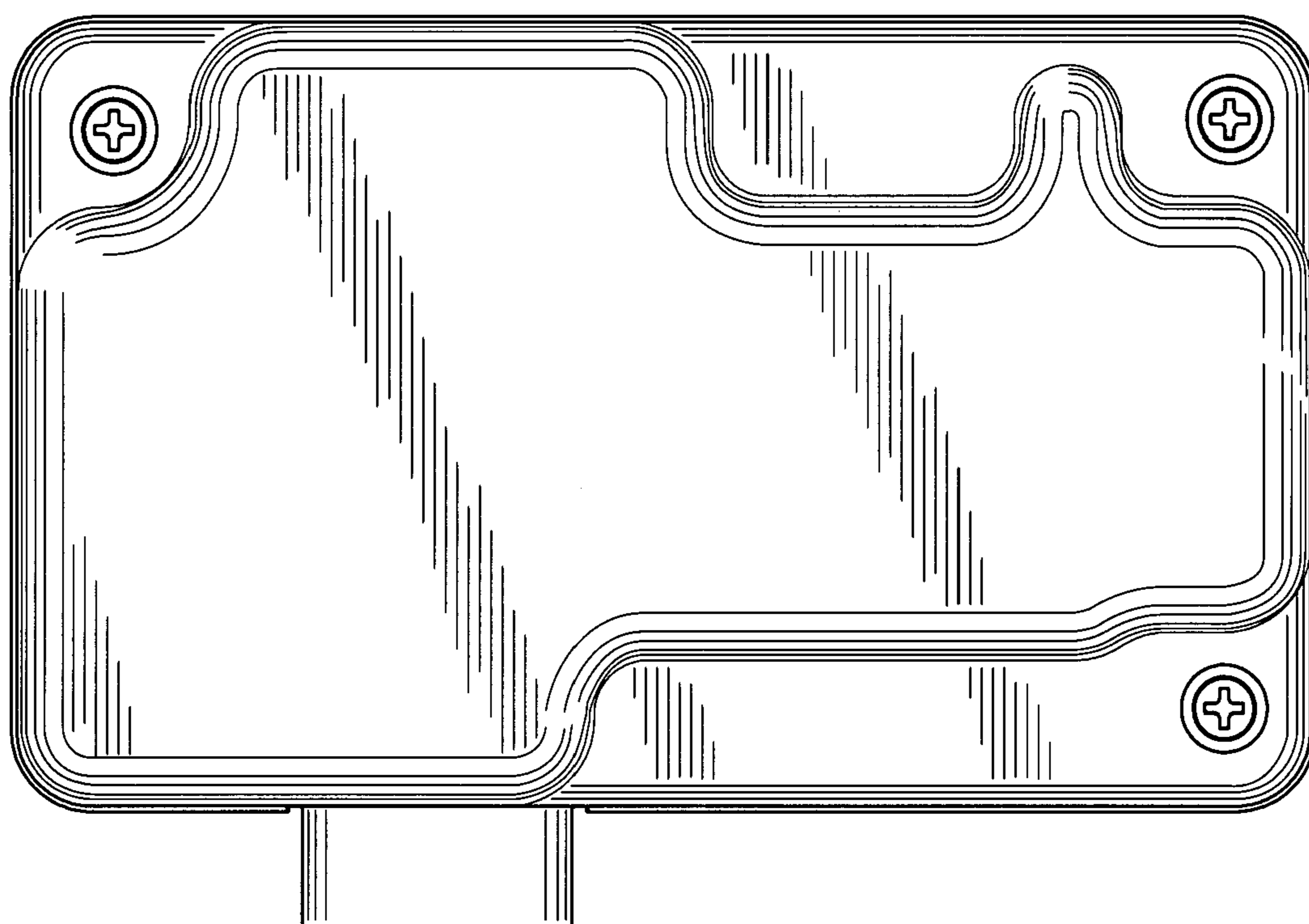


FIG. 6

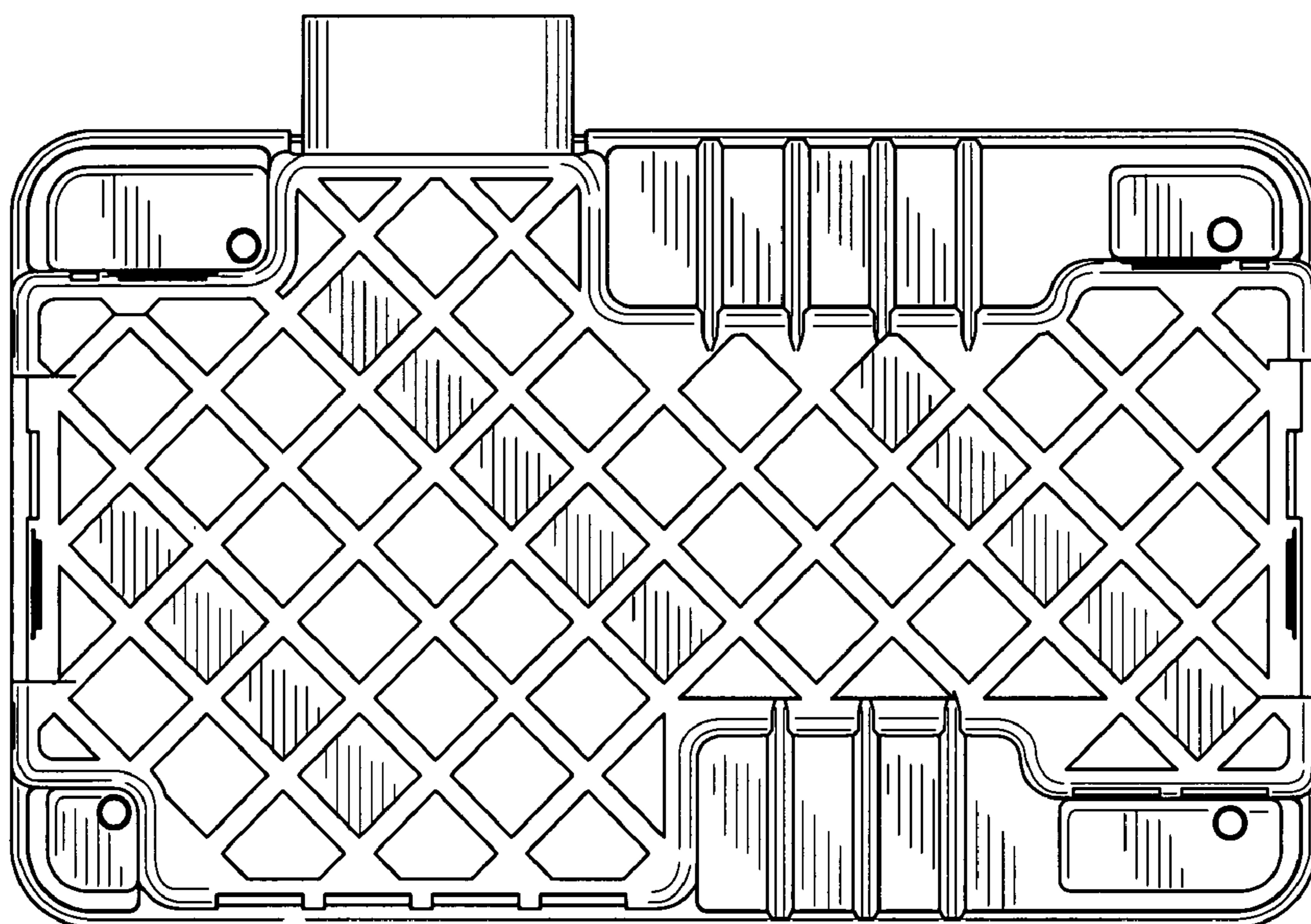


FIG. 7

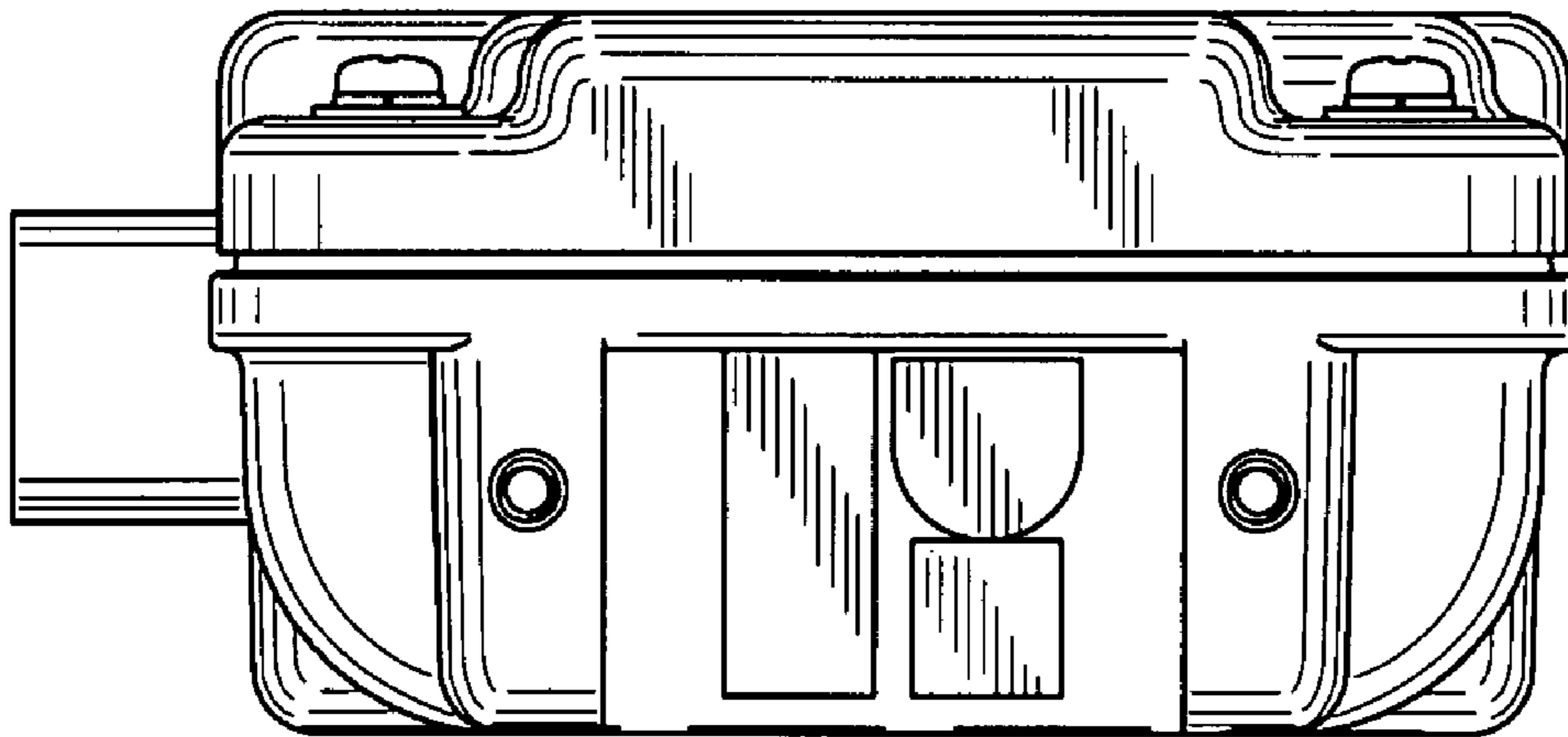


FIG. 8

