



US00D559774S

(12) **United States Design Patent**  
**Kurata**

(10) **Patent No.:** **US D559,774 S**  
(45) **Date of Patent:** **\*\* Jan. 15, 2008**

(54) **TIRE FOR AUTOMOBILE**  
(75) Inventor: **Kazuya Kurata**, Hyogo-ken (JP)  
(73) Assignee: **The Goodyear Tire & Rubber Company**, Akron, OH (US)  
(\*\*) Term: **14 Years**  
(21) Appl. No.: **29/269,618**  
(22) Filed: **Dec. 4, 2006**

D482,323 S \* 11/2003 Corbin et al. .... D12/584  
D500,009 S 12/2004 Okubo ..... D12/586  
D509,787 S 9/2005 Okubo ..... D12/584  
D513,402 S 1/2006 Shirouzu ..... D12/590

**FOREIGN PATENT DOCUMENTS**

JP 1194347 1/2004

\* cited by examiner

*Primary Examiner*—Stacia Cadmus  
(74) *Attorney, Agent, or Firm*—Richard B. O’Planick

(30) **Foreign Application Priority Data**

Jun. 20, 2006 (JP) ..... 2006-015864

(51) **LOC (8) Cl.** ..... **12-15**  
(52) **U.S. Cl.** ..... **D12/585**  
(58) **Field of Classification Search** ..... D12/515–518,  
D12/547–550, 553, 568, 581–588, 603; 152/209.1,  
152/209.8–209.18, 209.25, 455, 209.28  
See application file for complete search history.

(57) **CLAIM**

The ornamental design for a tire for automobile, as shown and described.

**DESCRIPTION**

FIG. 1 is a perspective view of a tire tread showing my new design, it being understood that the pattern repeats uniformly throughout the circumference of the tread;

FIG. 2 is a front elevational view thereof;

FIG. 3 is a right side elevational view thereof; the opposite side elevational view being identical thereto; and,

FIG. 4 is an enlarged fragmentary front elevational view thereof.

In the drawings, the broken lines defining the sidewall, inner bead and the peripheral boundary between the tire tread and the sidewall are for illustrative purposes only and form no part of the claimed design.

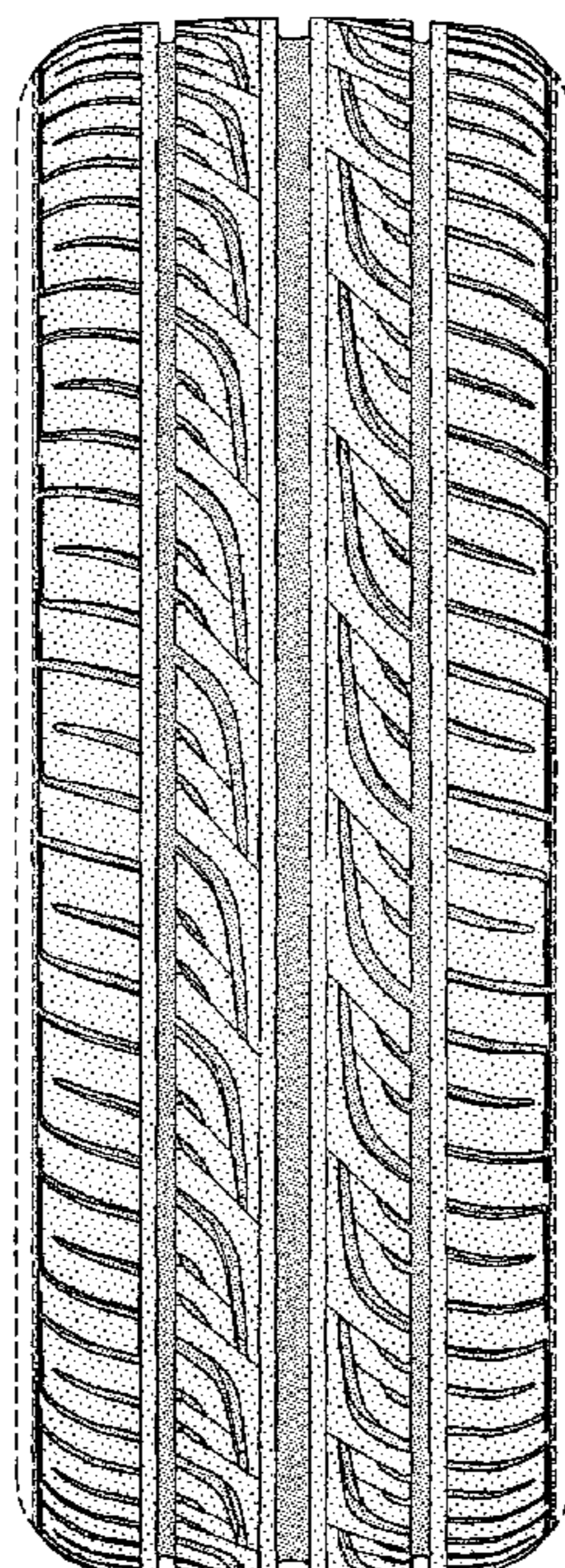
The dark stippled surface shading represents the recessed portion of the tread grooves having a depth as best shown in FIG. 2.

(56) **References Cited**

**U.S. PATENT DOCUMENTS**

D368,687 S 4/1996 Hayashi ..... D12/147  
D379,338 S \* 5/1997 Guspodin et al. .... D12/585  
D384,604 S 10/1997 Ohya ..... D12/141  
D415,984 S \* 11/1999 Allison et al. .... D12/584  
D423,424 S 4/2000 Ikeda ..... D12/147  
D436,331 S 1/2001 Hanya ..... D12/147  
D451,854 S 12/2001 Hanya ..... D12/147  
D458,212 S \* 6/2002 Guspodin ..... D12/582  
D470,102 S \* 2/2003 Shirouzu ..... D12/585  
D471,861 S 3/2003 Tsubono ..... D12/585  
D473,183 S 4/2003 Hurata ..... D12/564  
D481,991 S \* 11/2003 Graas et al. .... D12/585

**1 Claim, 4 Drawing Sheets**



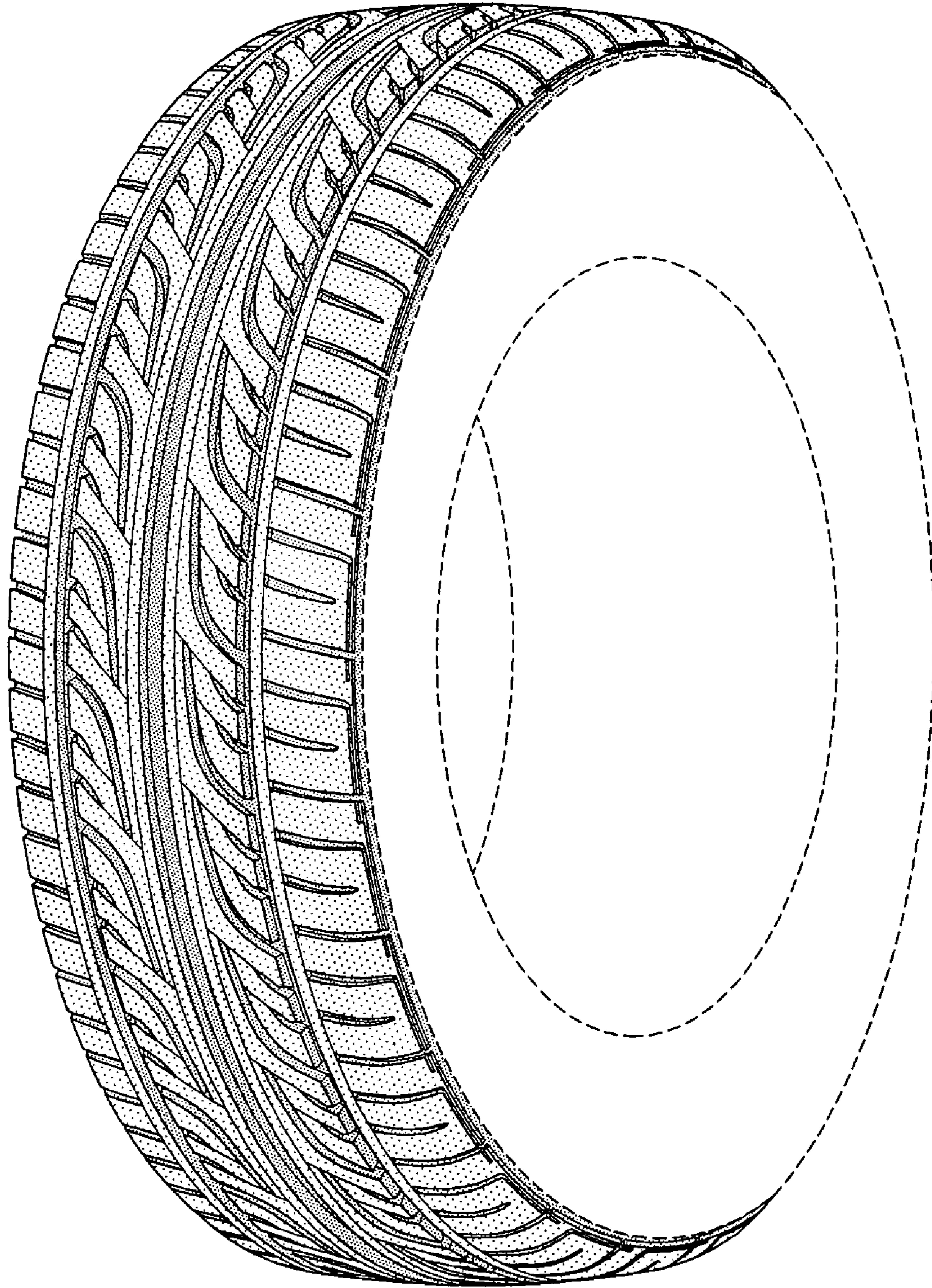


FIG-1

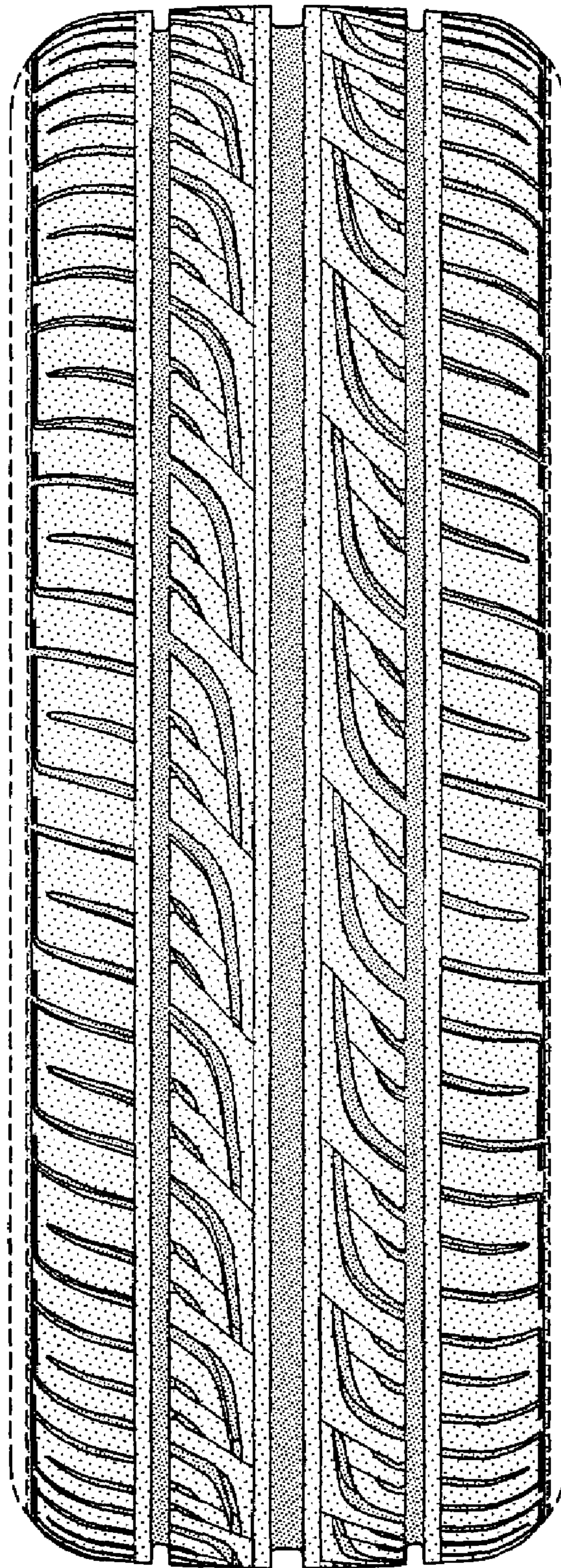


FIG-2

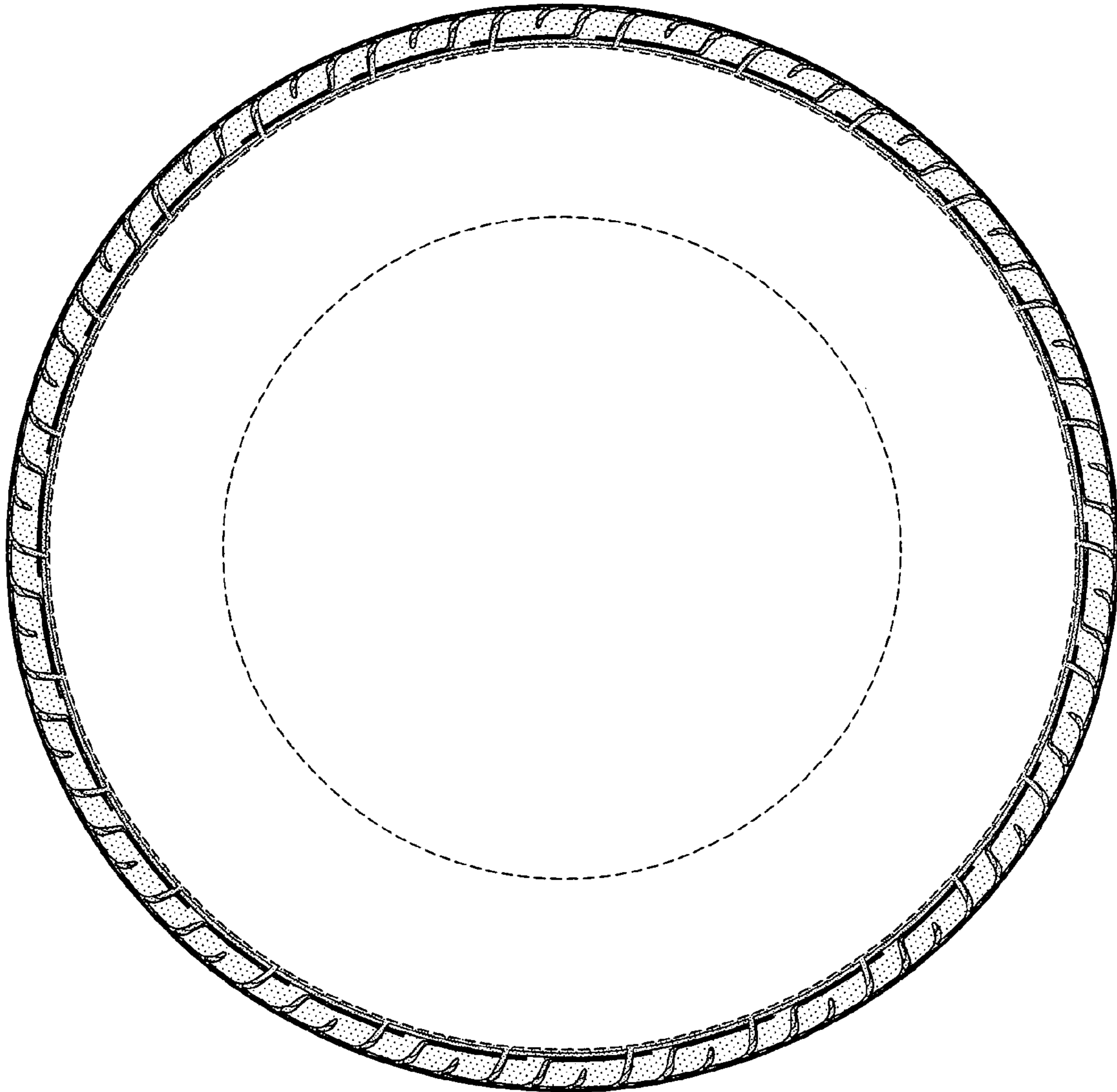


FIG-3

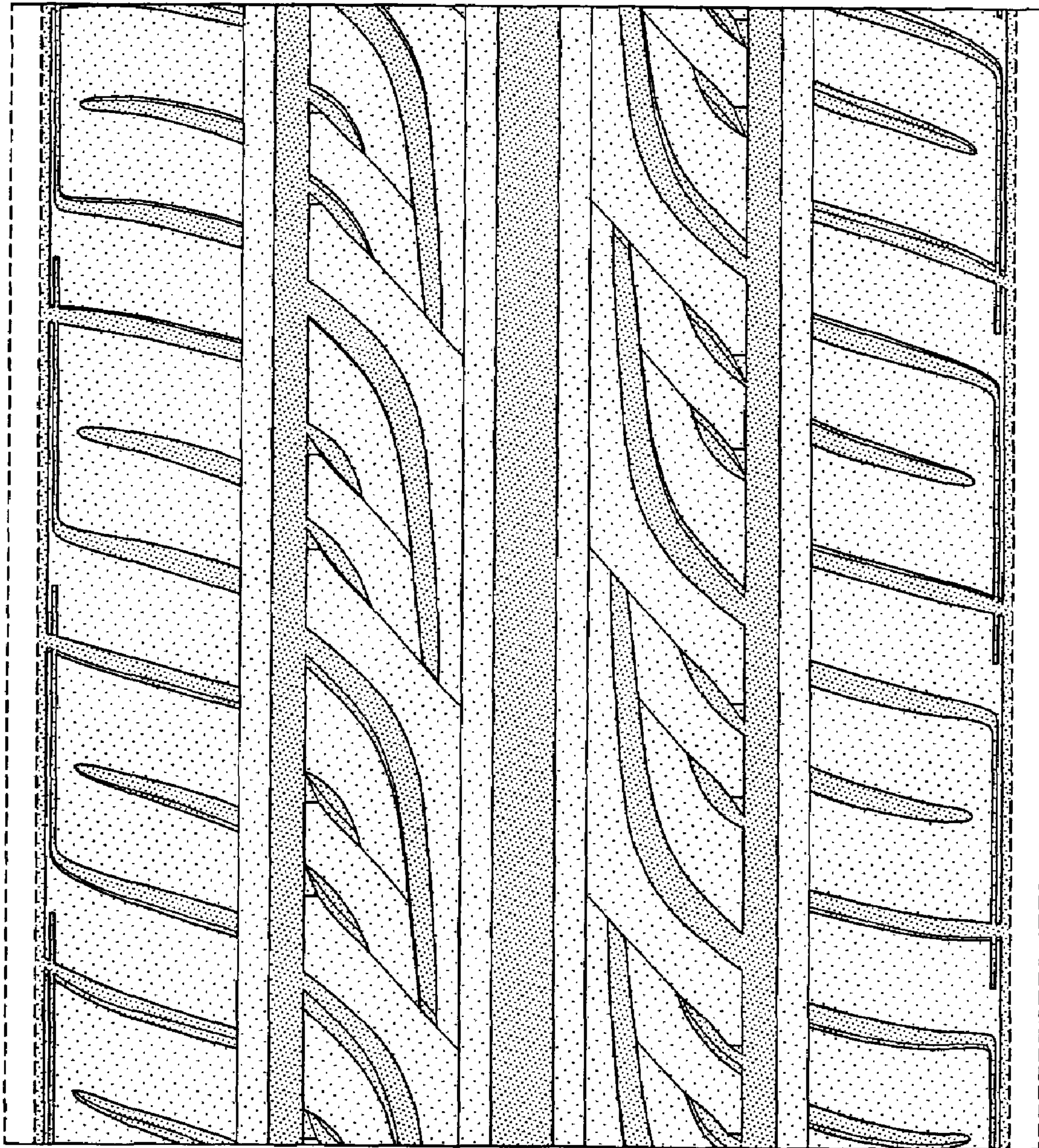


FIG-4