



US00D559771S

(12) **United States Design Patent**
Robert et al.

(10) **Patent No.:** **US D559,771 S**
(45) **Date of Patent:** **** Jan. 15, 2008**

(54) **TIRE TREAD**

(75) Inventors: **Michel Pierre Charles Robert**, Sibret
(BE); **Christian Labbe**, Meix-le-Tige
(BE); **Paul Welbes**, Schrondweiler
(LU); **William Urbano Villamizar**,
Mersch (LU)

(73) Assignee: **The Goodyear Tire & Rubber
Company**, Akron, OH (US)

(**) Term: **14 Years**

(21) Appl. No.: **29/263,689**

(22) Filed: **Jul. 27, 2006**

(51) **LOC (8) Cl.** **12-15**

(52) **U.S. Cl.** **D12/556**

(58) **Field of Classification Search** D12/519,
D12/521-524, 551, 553-556, 564-565, 900,
D12/901; 152/209.1, 209.9-209.18, 209.25,
152/455, 209.28

See application file for complete search history.

(56) **References Cited**

U.S. PATENT DOCUMENTS

D333,454 S *	2/1993	Kawabata et al.	D12/556
D380,427 S	7/1997	Hubbell, Jr.	D12/147
D389,791 S *	1/1998	Himuro	D12/556
D416,836 S *	11/1999	Himuro	D12/556
D445,071 S	7/2001	Brightwell et al.	D12/147
D458,583 S	6/2002	Villamizar	D12/590
D459,290 S *	6/2002	Weber et al.	D12/551
D485,229 S *	1/2004	Murata	D12/556
D488,771 S	4/2004	Villamizar	D12/590

D491,518 S *	6/2004	Miyabe et al.	D12/556
D491,884 S *	6/2004	Abe	D12/556
D502,142 S *	2/2005	Hoshi	D12/556
D507,519 S *	7/2005	Lo	D12/556
D512,014 S *	11/2005	Ishida et al.	D12/556
D522,962 S *	6/2006	Ishida et al.	D12/556

* cited by examiner

Primary Examiner—Stacia Cadmus

(74) *Attorney, Agent, or Firm*—Richard B. O’Planick

(57) **CLAIM**

The ornamental design for a tire tread, as shown and described.

DESCRIPTION

FIG. 1 is a perspective view of a tire tread showing our new design, it being understood that the pattern repeats uniformly throughout the circumference of the tread;

FIG. 2 is a front elevational view thereof;

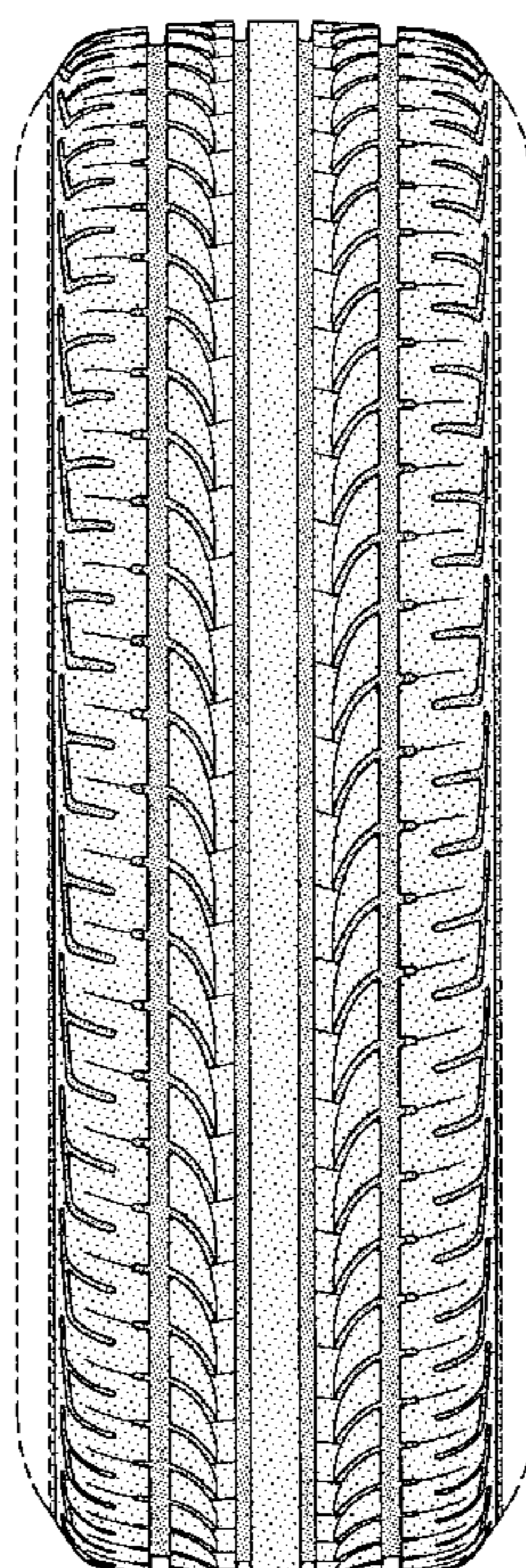
FIG. 3 is a right side elevational view thereof; the other side being a mirror image thereof; and,

FIG. 4 is an enlarged fragmentary front elevational view thereof.

In the drawings, the broken lines defining the sidewall, inner bead and the peripheral boundary between the tire tread and the sidewall are for illustrative purposes only and form no part of the claimed design.

The dark stippled surface shading represents the recessed portion of the tread grooves having a depth as best shown in FIG. 2.

1 Claim, 4 Drawing Sheets



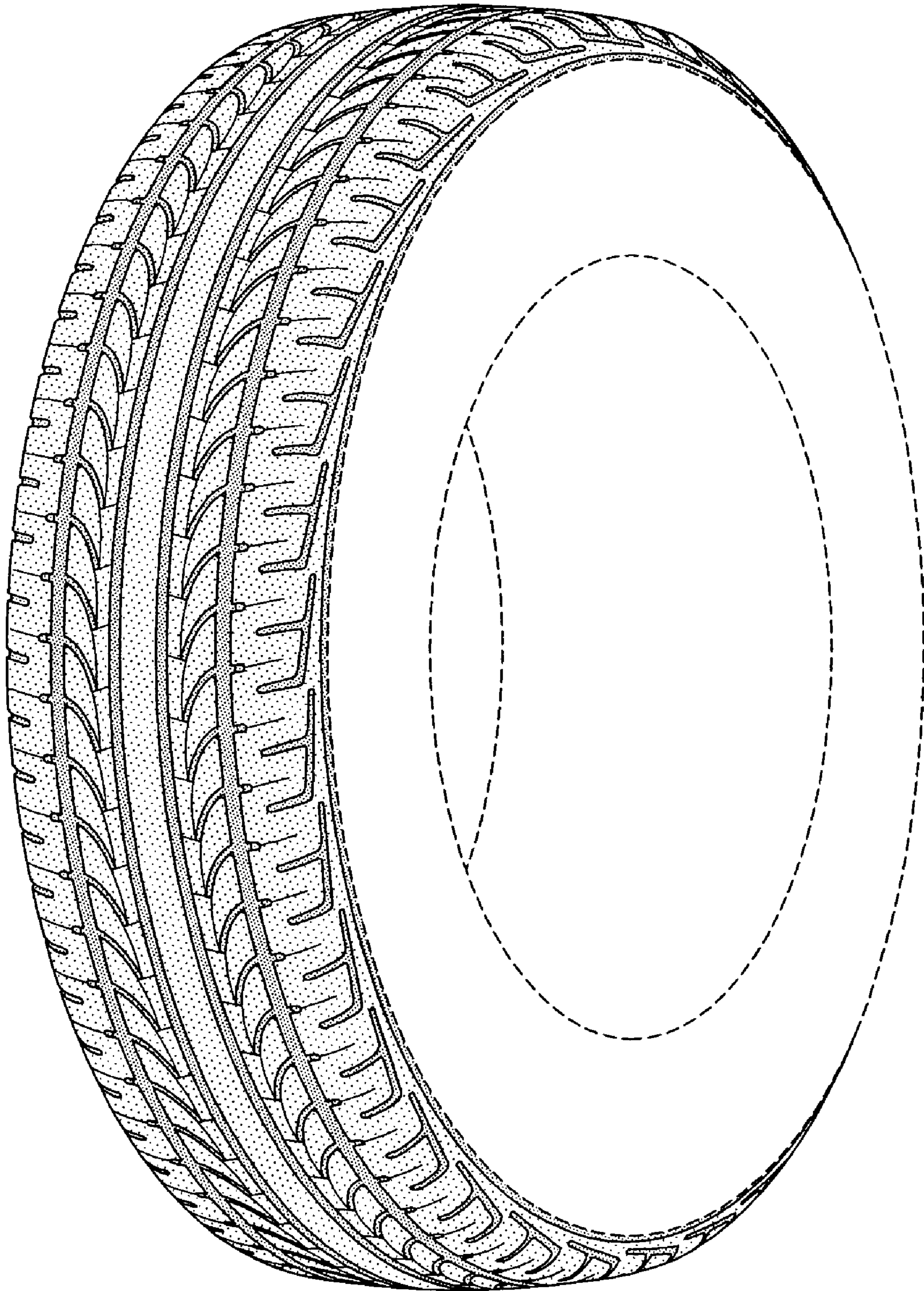


FIG-1

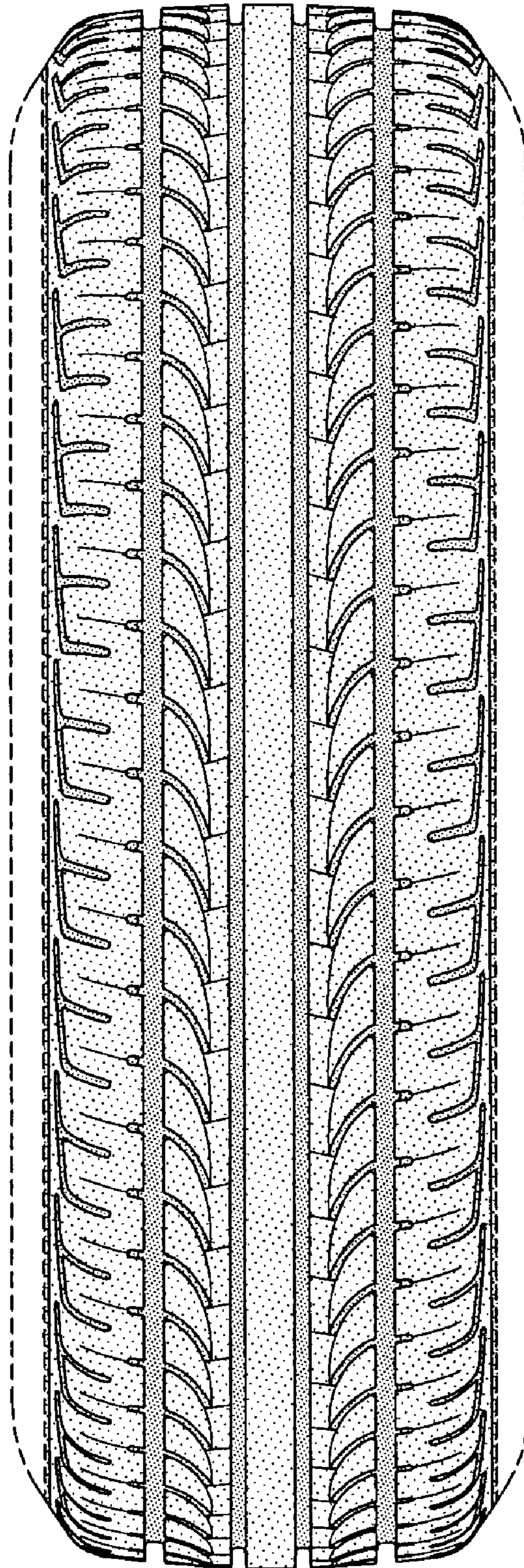


FIG-2

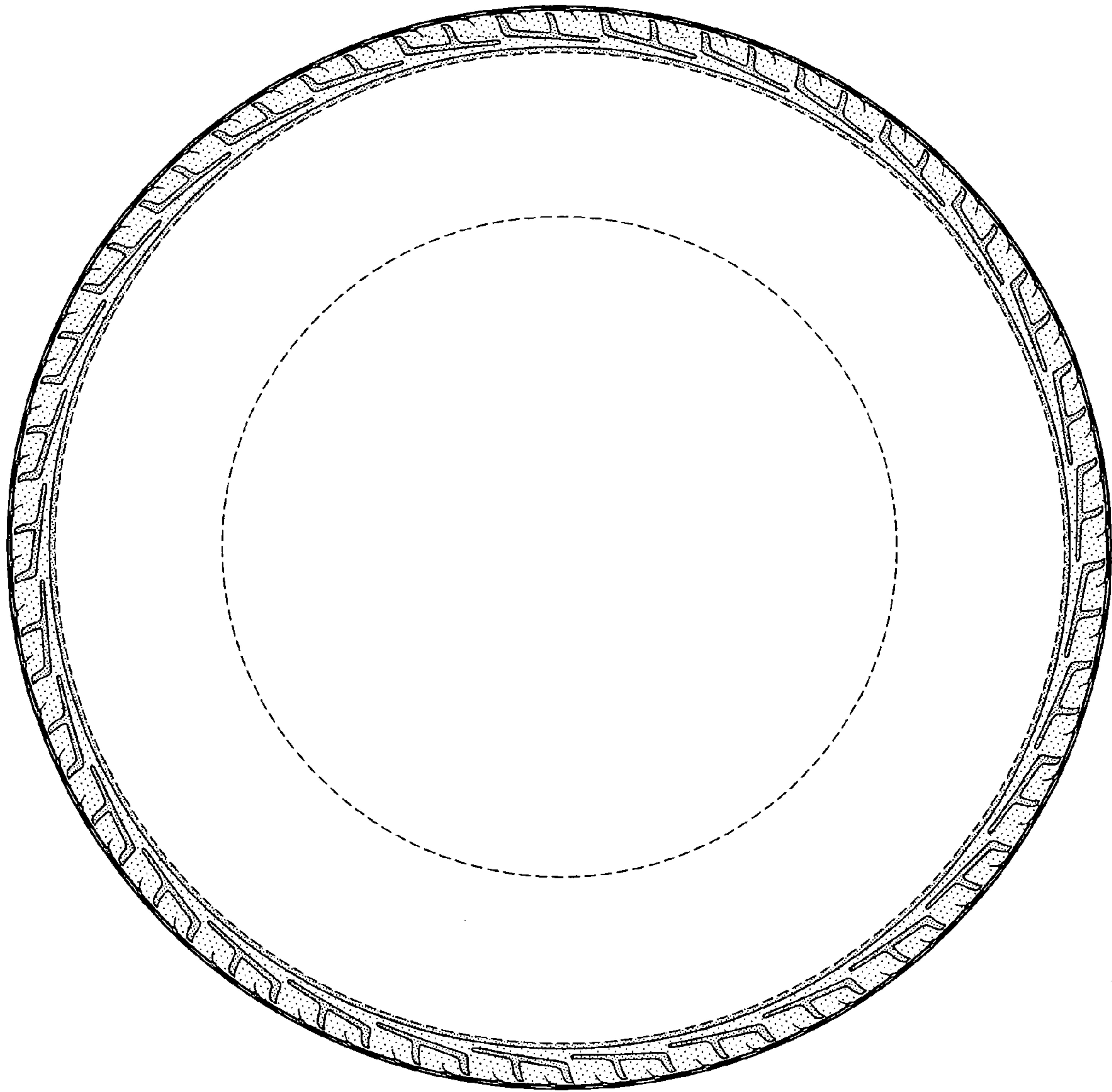


FIG-3

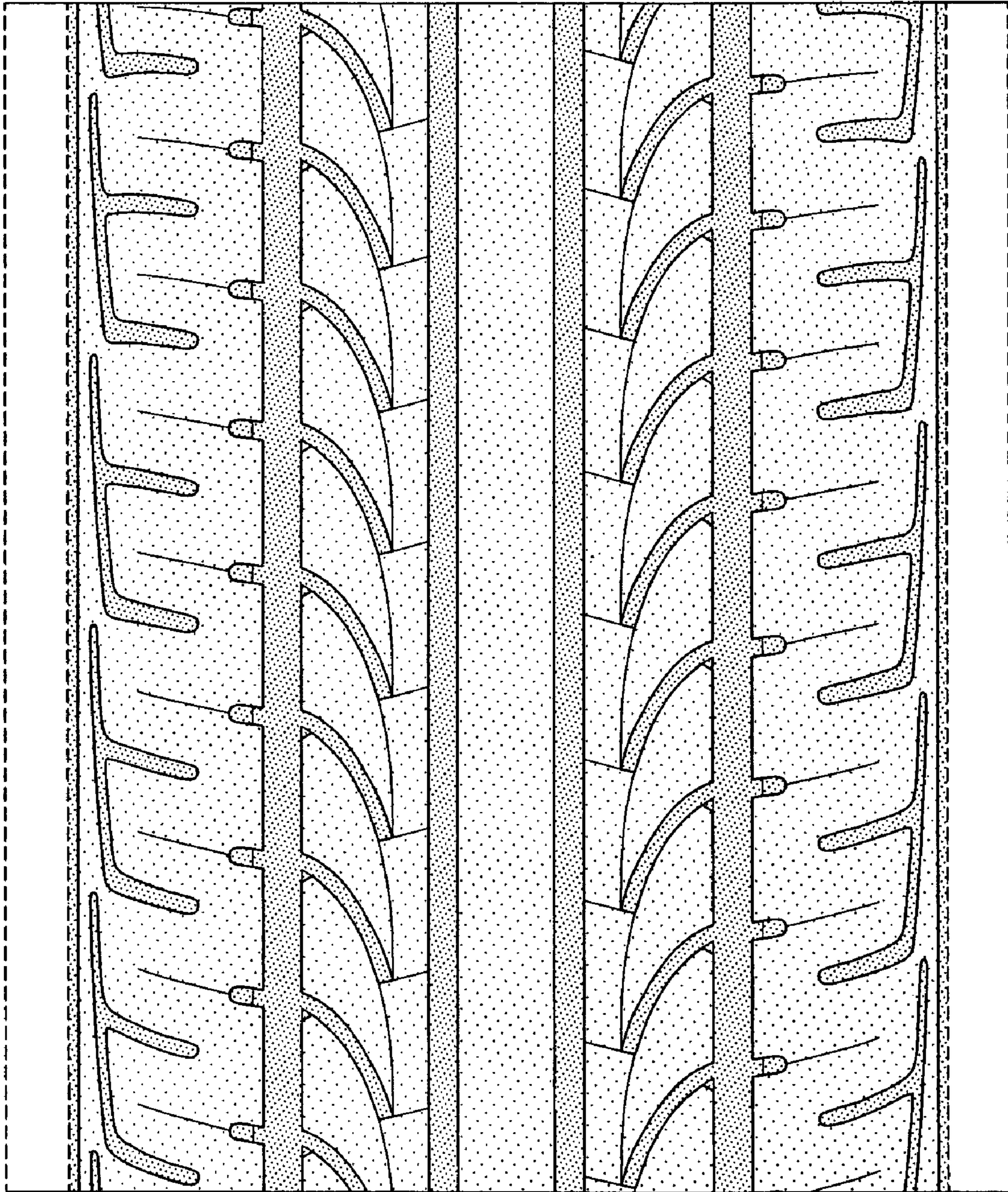


FIG-4