



US00D559763S

(12) **United States Design Patent**
Lau

(10) **Patent No.:** **US D559,763 S**
(45) **Date of Patent:** **** Jan. 15, 2008**

(54) **FLYING DEVICE**

(75) Inventor: **Fung Ying Lau**, Kowloon (HK)

(73) Assignee: **Silverlit Toys Manufactory, Ltd.**,
Hong Kong (HK)

(**) Term: **14 Years**

(21) Appl. No.: **29/283,037**

(22) Filed: **Aug. 3, 2007**

(51) **LOC (8) Cl.** **12-07**

(52) **U.S. Cl.** **D12/321; D21/449**

(58) **Field of Classification Search** D12/319-345;
D21/445, 447, 448-450; 446/30-32, 34-68,
446/78, 80, 88, 228, 230, 429, 430, 487,
446/488-490; 244/16, 154 R, 900, 901
See application file for complete search history.

(56) **References Cited**

U.S. PATENT DOCUMENTS

D193,484 S	8/1962	Spencer	
D290,978 S	7/1987	Capo et al.	
D304,924 S *	12/1989	Rosenthal	D12/331
D304,925 S *	12/1989	Rosenthal	D12/331
5,170,965 A *	12/1992	Yasuda	244/64
D475,340 S *	6/2003	Arata et al.	D12/319
6,632,119 B2	10/2003	Chernek et al.	
D492,738 S *	7/2004	Darack	D21/449

6,769,949 B2	8/2004	Kim et al.	
D495,761 S *	9/2004	Darack	D21/449
D496,074 S *	9/2004	Darack	D21/449
7,255,305 B2 *	8/2007	Earl et al.	244/11
2002/0173217 A1	11/2002	Kinkade	

* cited by examiner

Primary Examiner—Charles A. Rademaker

Assistant Examiner—Maurice Stevens

(74) *Attorney, Agent, or Firm*—Greenberg Traurig, LLP

(57) **CLAIM**

The ornamental design for a flying device, as shown and described.

DESCRIPTION

FIG. 1 is a front, right side perspective view of a flying device showing my new design;

FIG. 2 is a rear right side perspective view thereof;

FIG. 3 is a front, left side perspective view thereof;

FIG. 4 is a rear left side thereof;

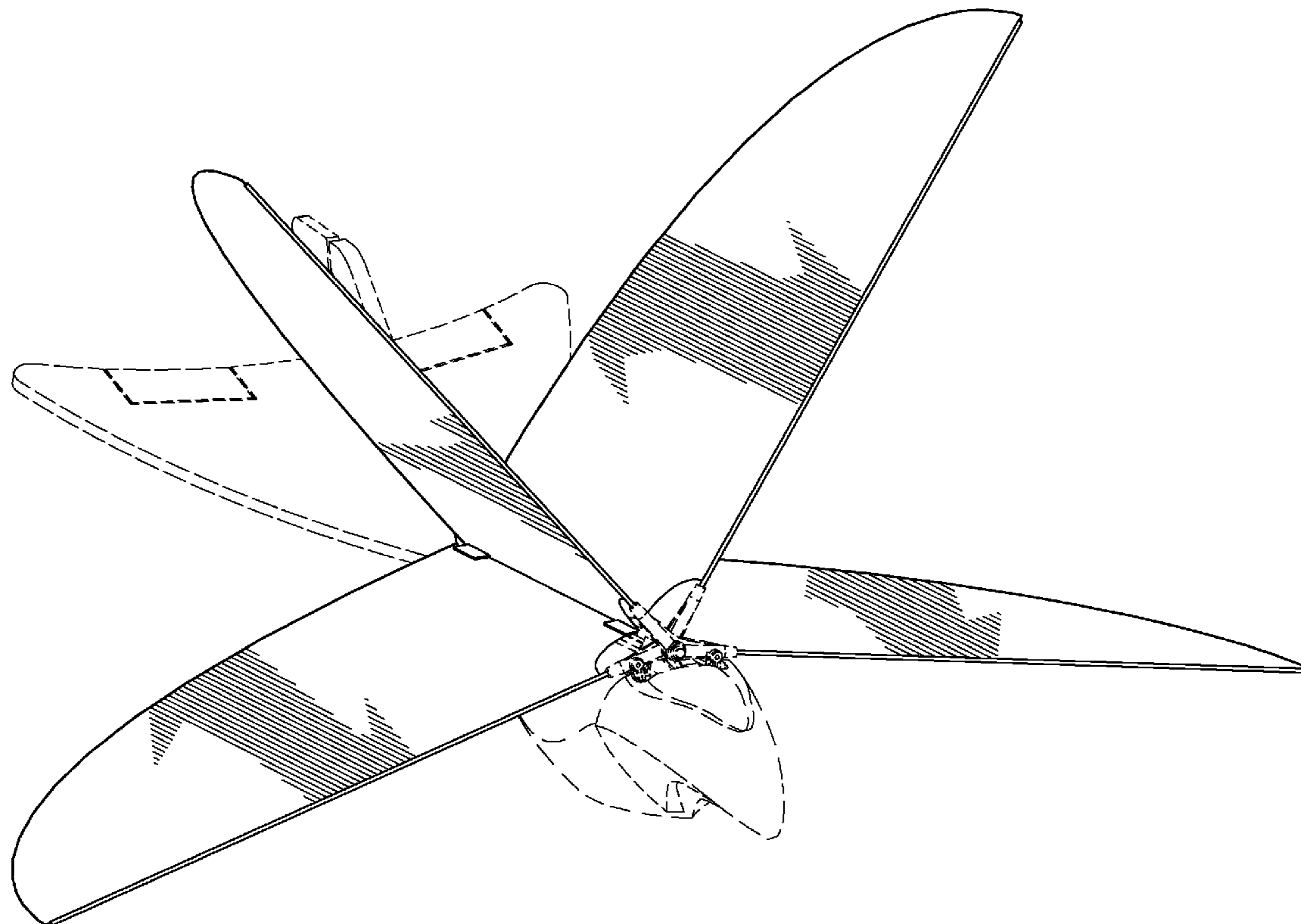
FIG. 5 is a front view thereof;

FIG. 6 is a rear view thereof; and,

FIG. 7 is a bottom view thereof.

The broken lines shown in the drawings are for illustrative purposes only and form no part of the claim design.

1 Claim, 7 Drawing Sheets



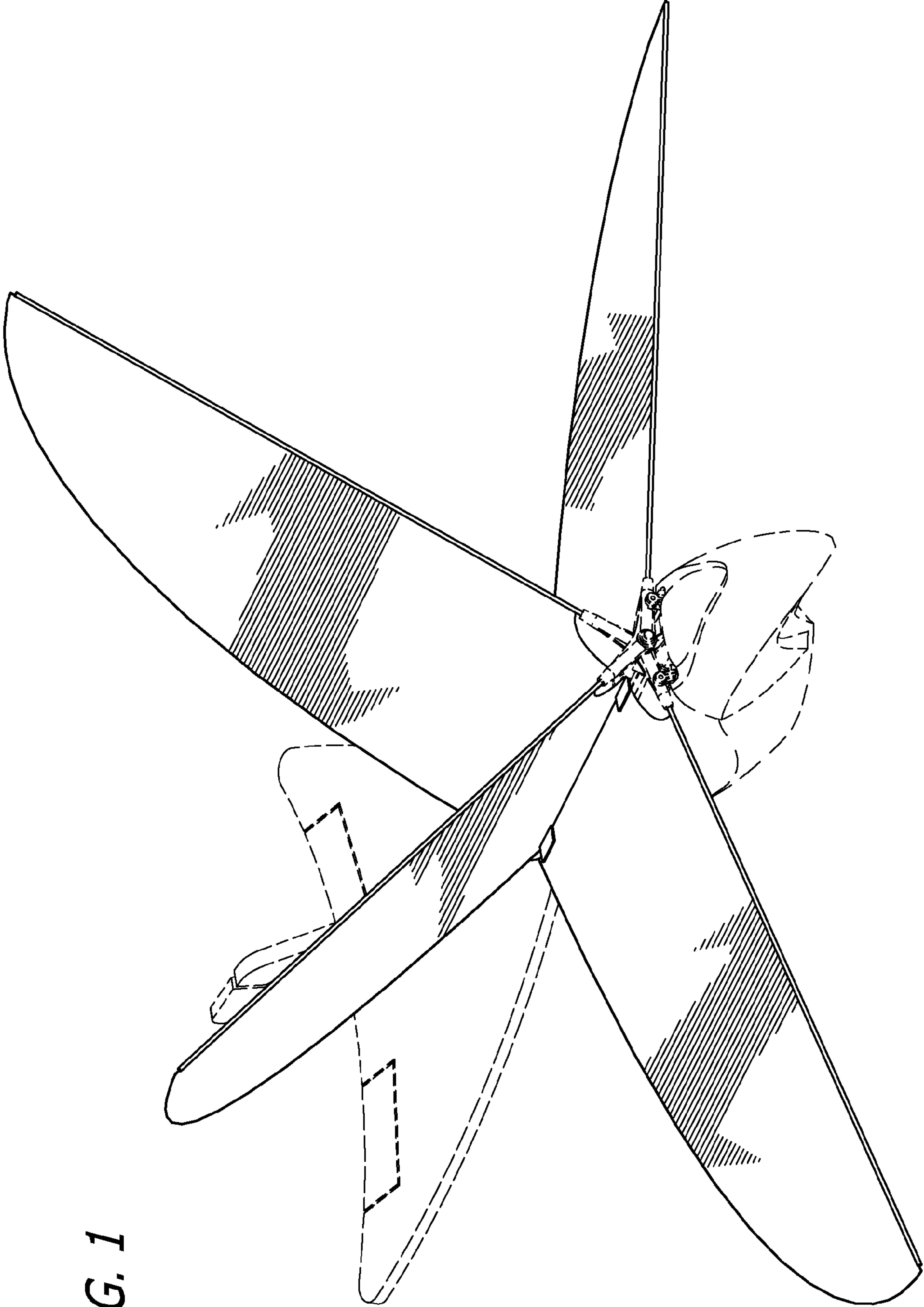


FIG. 1

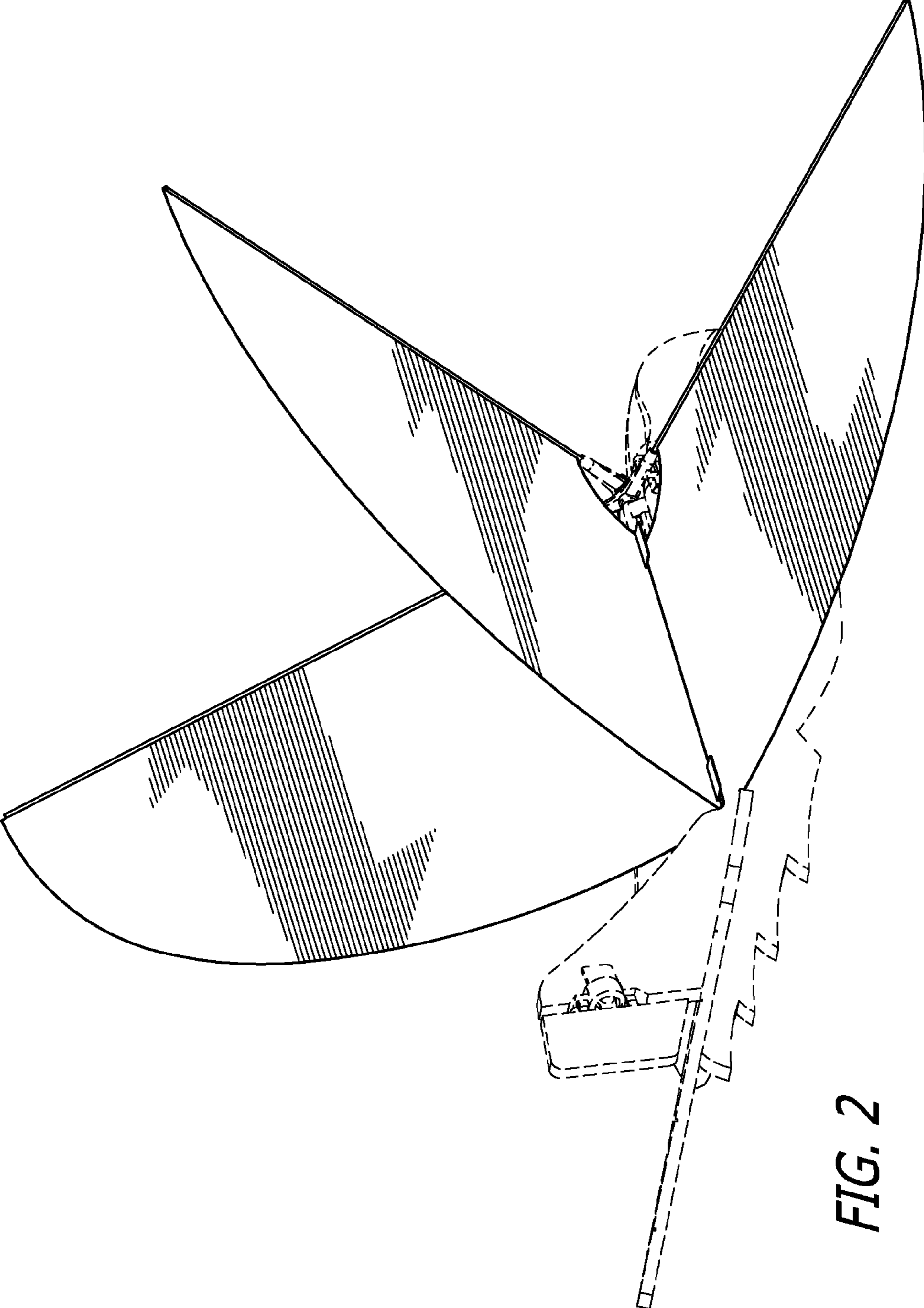


FIG. 2

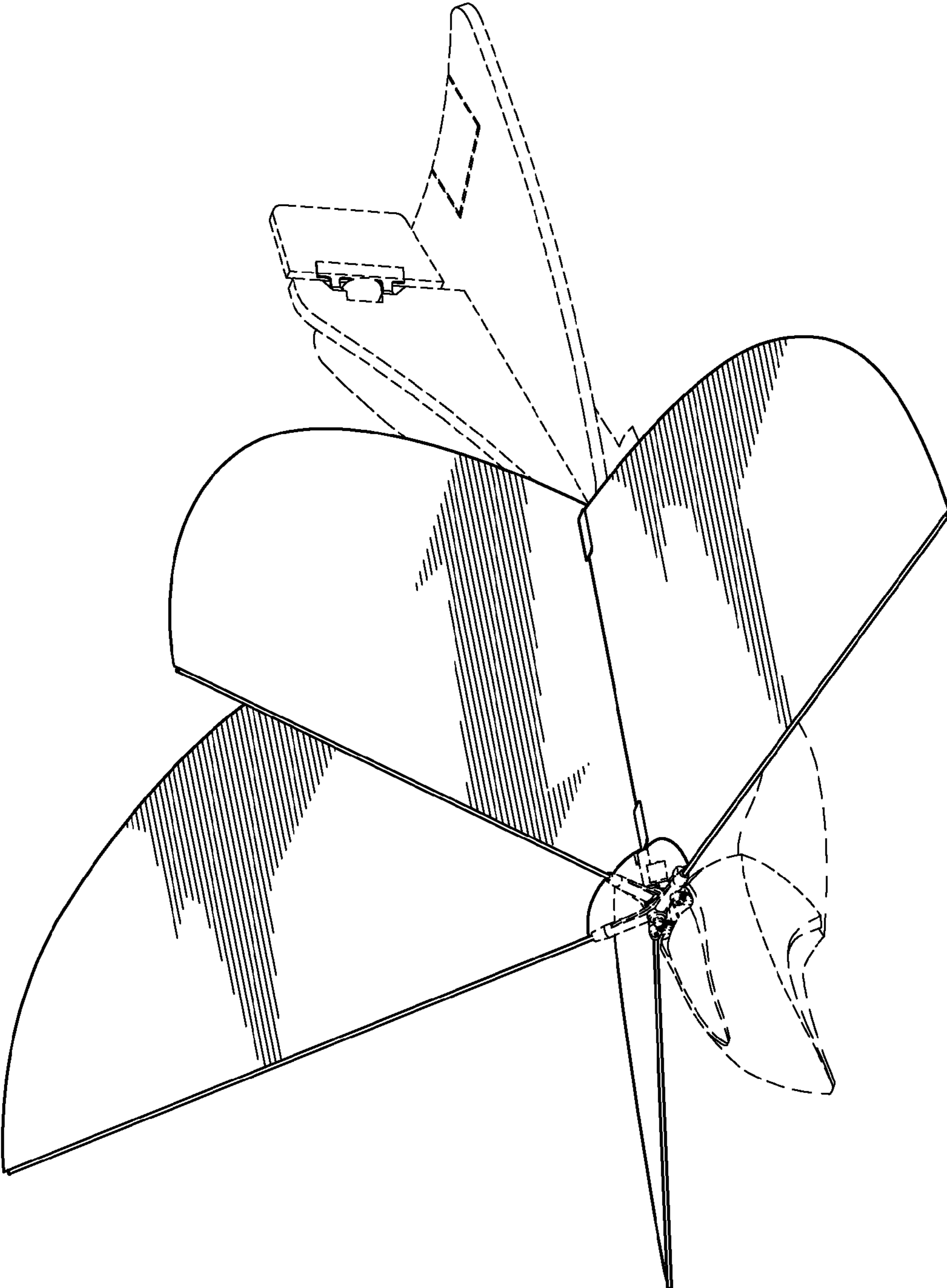


FIG. 3

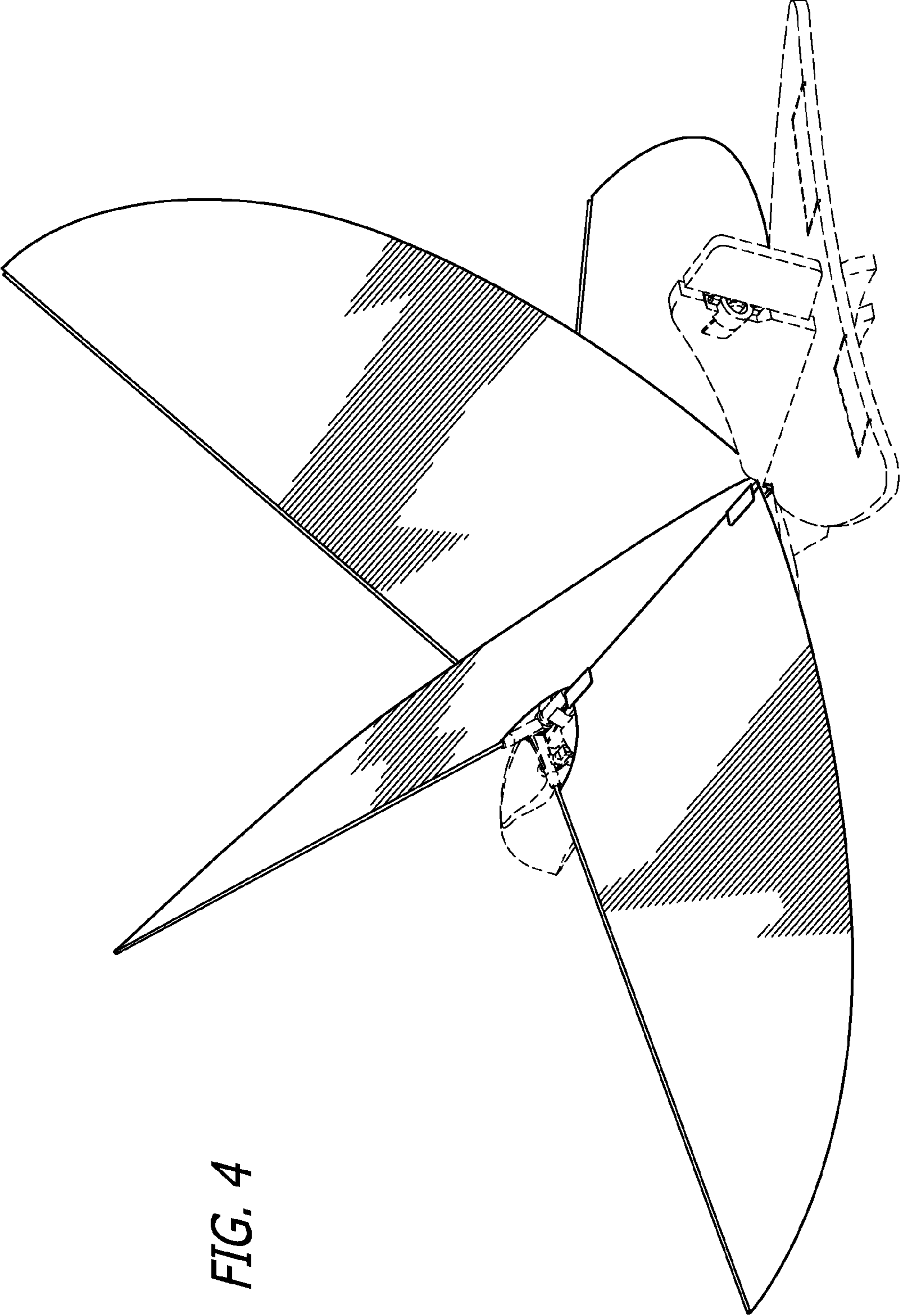


FIG. 4

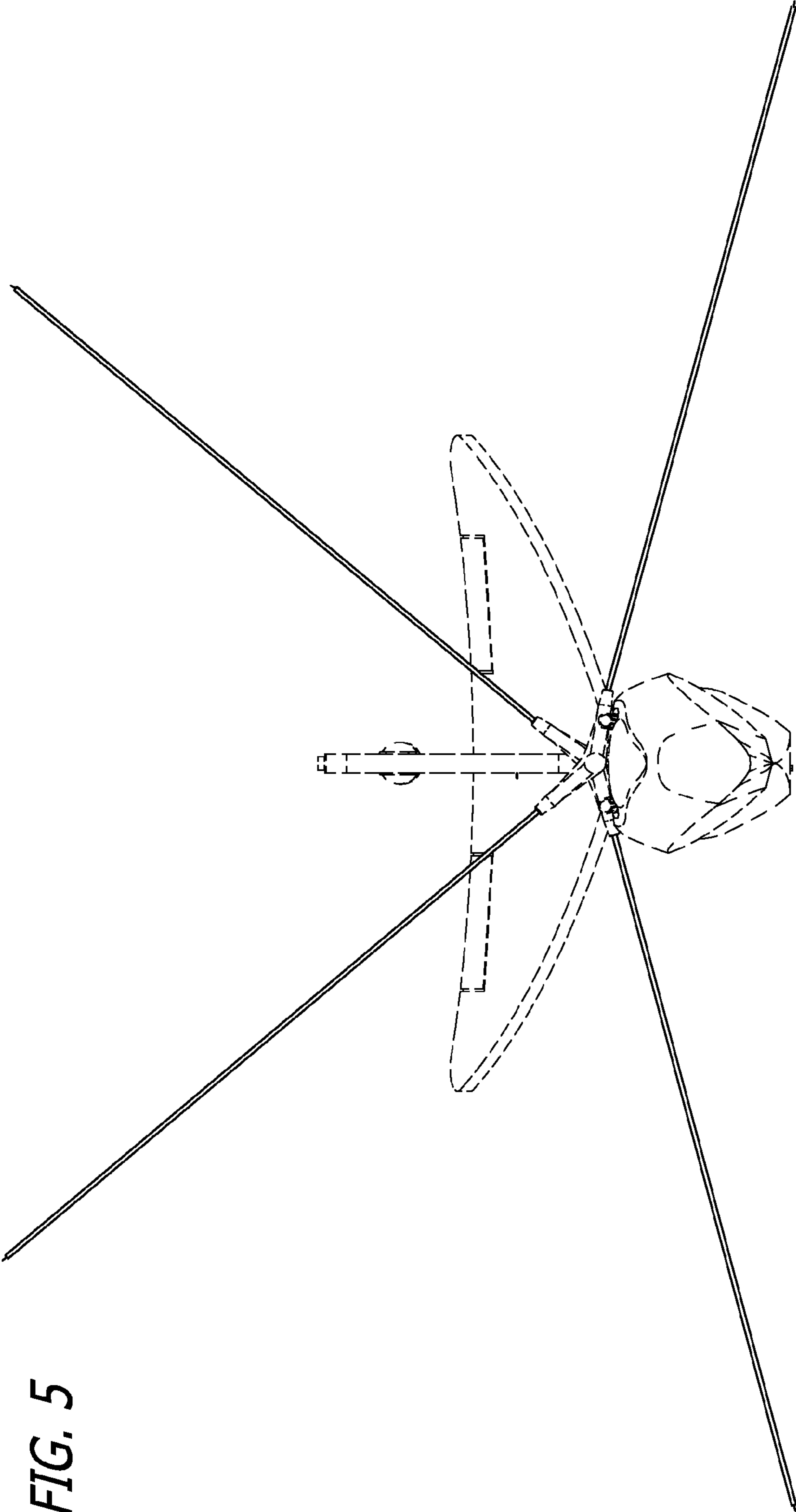


FIG. 5

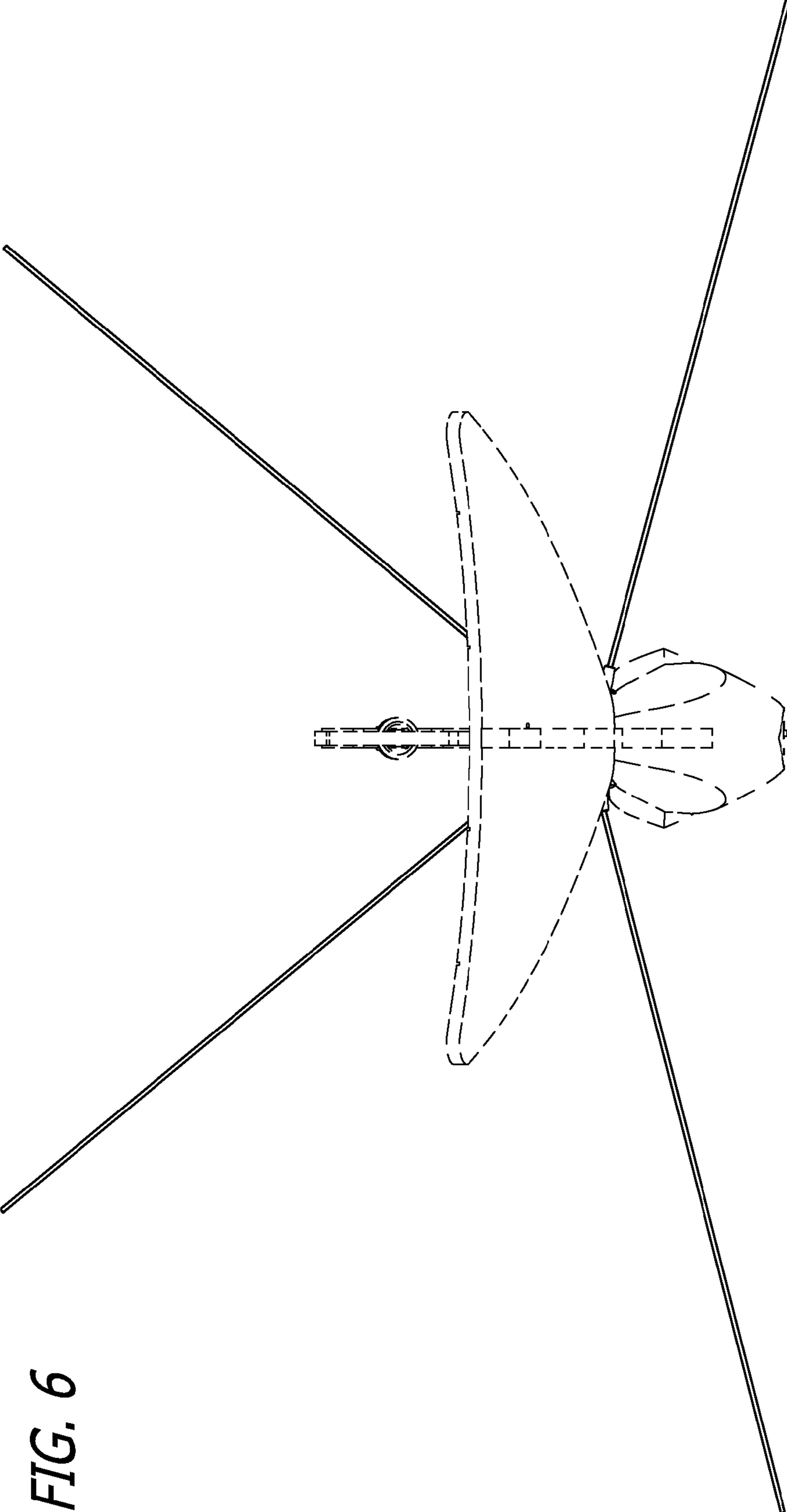


FIG. 6

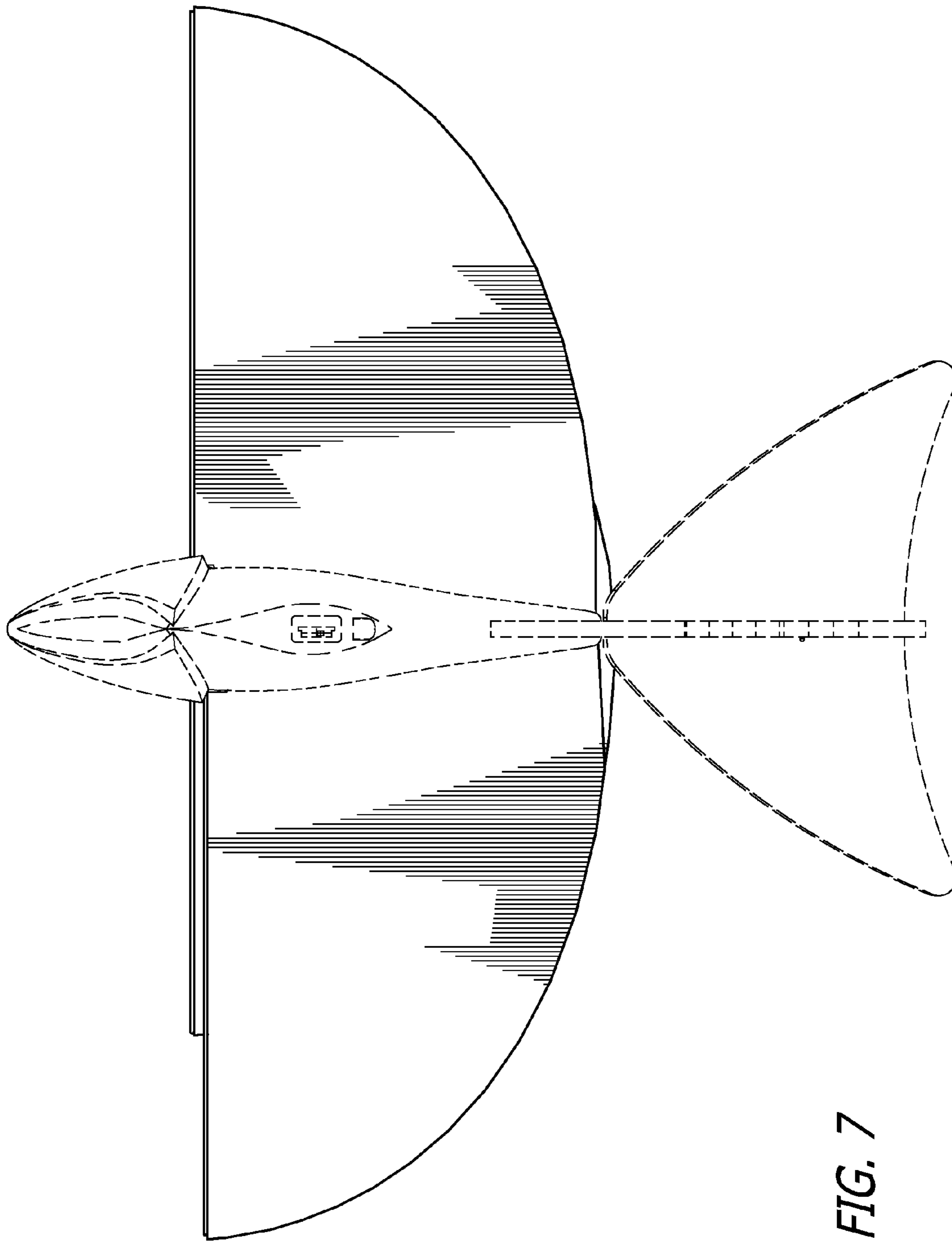


FIG. 7