



US00D559760S

(12) **United States Design Patent**
Anderson

(10) **Patent No.:** **US D559,760 S**
(45) **Date of Patent:** **** Jan. 15, 2008**

(54) **BOAT**

(76) Inventor: **Jordy M. Anderson**, 1073 Bahia Vista Ct., Sarasota, FL (US) 34232

(**) Term: **14 Years**

(21) Appl. No.: **29/272,373**

(22) Filed: **Feb. 7, 2007**

(51) **LOC (8) Cl.** **12-06**

(52) **U.S. Cl.** **D12/300**

(58) **Field of Classification Search** D12/300-318;
441/35, 38, 40, 41, 129, 130; 114/123, 219,
114/283, 344, 345, 355, 356

See application file for complete search history.

(56) **References Cited**

U.S. PATENT DOCUMENTS

3,261,038	A *	7/1966	Klepper	114/345
3,871,043	A	3/1975	Davidson et al.	
4,917,037	A	4/1990	Hargett, Sr.	
4,919,067	A *	4/1990	Wenstob et al.	114/345
D308,042	S *	5/1990	Kitner et al.	D12/317
4,964,821	A *	10/1990	Tafoya	440/38
5,086,725	A	2/1992	Garrett et al.	
5,261,345	A *	11/1993	Fleming	114/345
5,355,828	A	10/1994	Pepper	
5,540,169	A	7/1996	Davis et al.	
5,546,886	A	8/1996	Franceschelli et al.	
5,651,328	A	7/1997	Elkington	
5,870,965	A	2/1999	Hansen	
D409,972	S	5/1999	Todd	
6,012,410	A	1/2000	Monlezun et al.	
6,145,466	A	11/2000	Herbein et al.	
6,223,677	B1	5/2001	Hall et al.	

6,260,505	B1	7/2001	Polidan	
6,394,014	B1	5/2002	Waldock	
6,484,661	B2	11/2002	Stewart	
6,520,107	B1	2/2003	Hickok	
6,532,889	B1	3/2003	Goad et al.	
6,609,475	B2	8/2003	Thomas et al.	
6,871,612	B2 *	3/2005	Gursoy	114/356
6,983,709	B2 *	1/2006	Hickok	114/123
D550,143	S *	9/2007	Anderson	D12/300
2002/0096101	A1	7/2002	Hansen	

* cited by examiner

Primary Examiner—Holly H. Baynham

Assistant Examiner—Cynthia M. Chin

(74) *Attorney, Agent, or Firm*—Charles J. Prescott

(57) **CLAIM**

The ornamental design for a boat, as shown and described.

DESCRIPTION

FIG. 1 is an upper rearward perspective view of a boat showing my new design;

FIG. 2 is an upper forward perspective view thereof;

FIG. 3 is a lower rearward perspective view thereof;

FIG. 4 is a lower forward perspective view thereof;

FIG. 5 is a top plan view thereof;

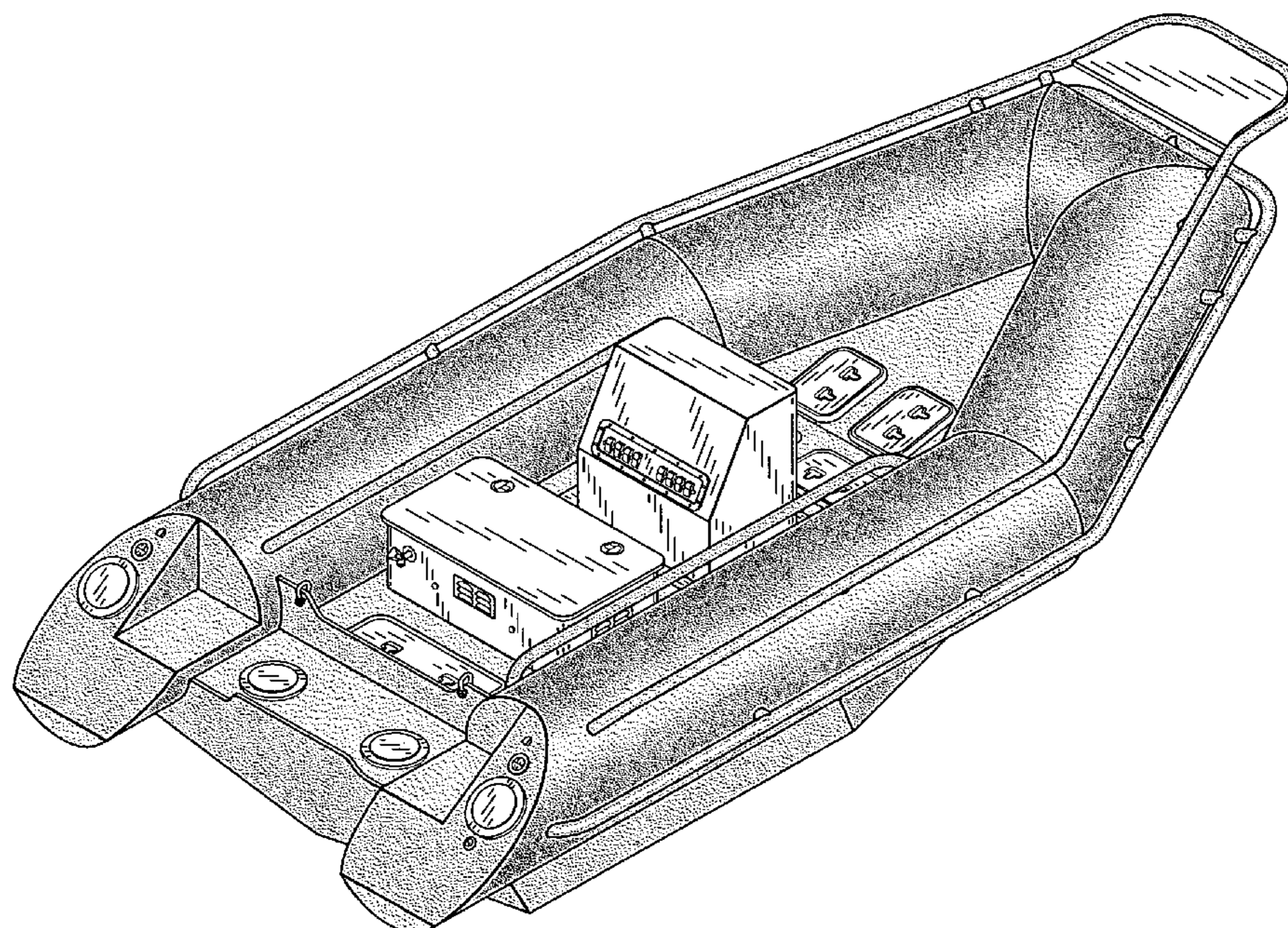
FIG. 6 is a bottom plan view thereof;

FIG. 7 is a right side elevation view thereof, the left side being a mirror image;

FIG. 8 is a rear elevation view thereof; and,

FIG. 9 is a front elevation view thereof.

1 Claim, 8 Drawing Sheets



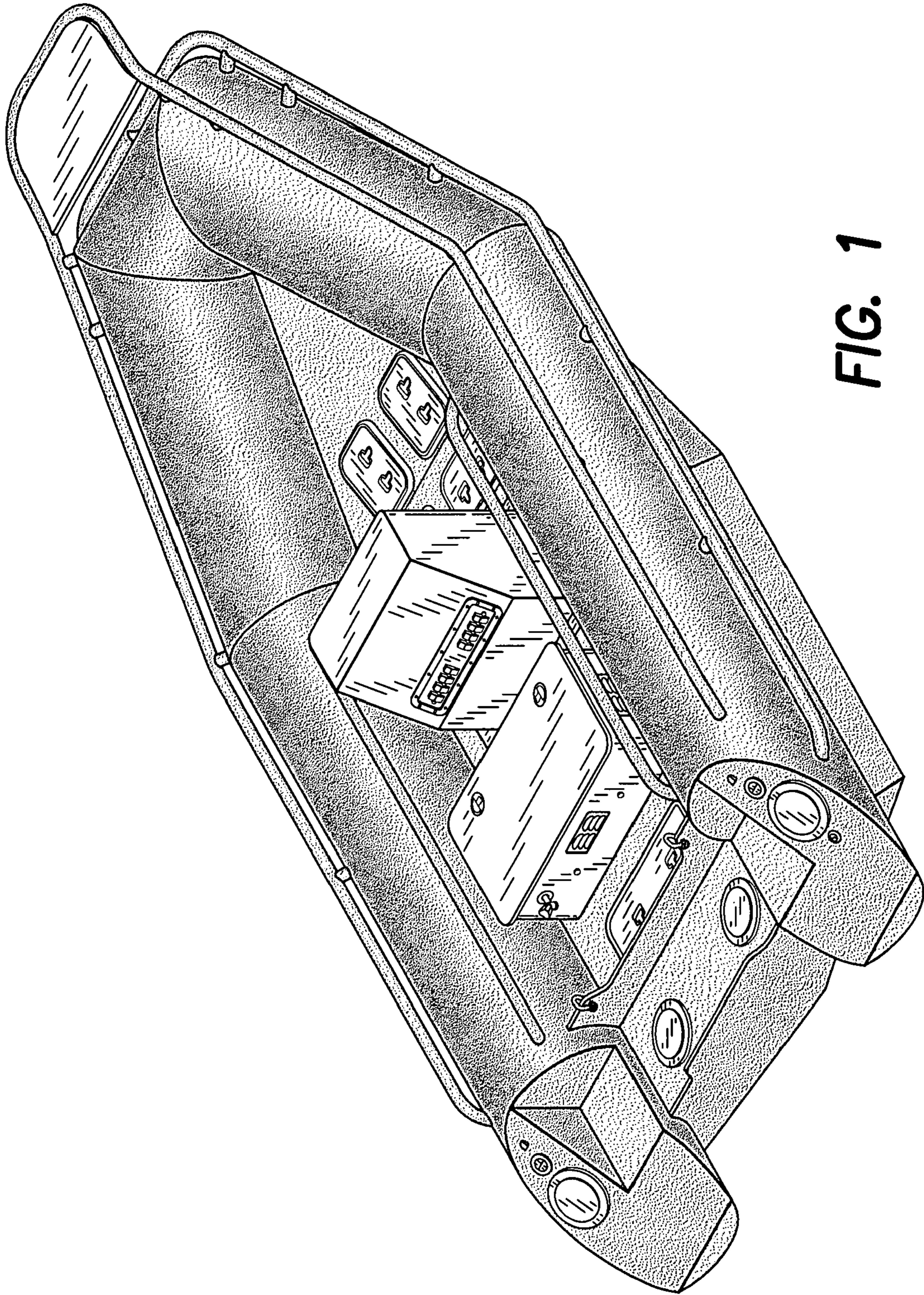


FIG. 1

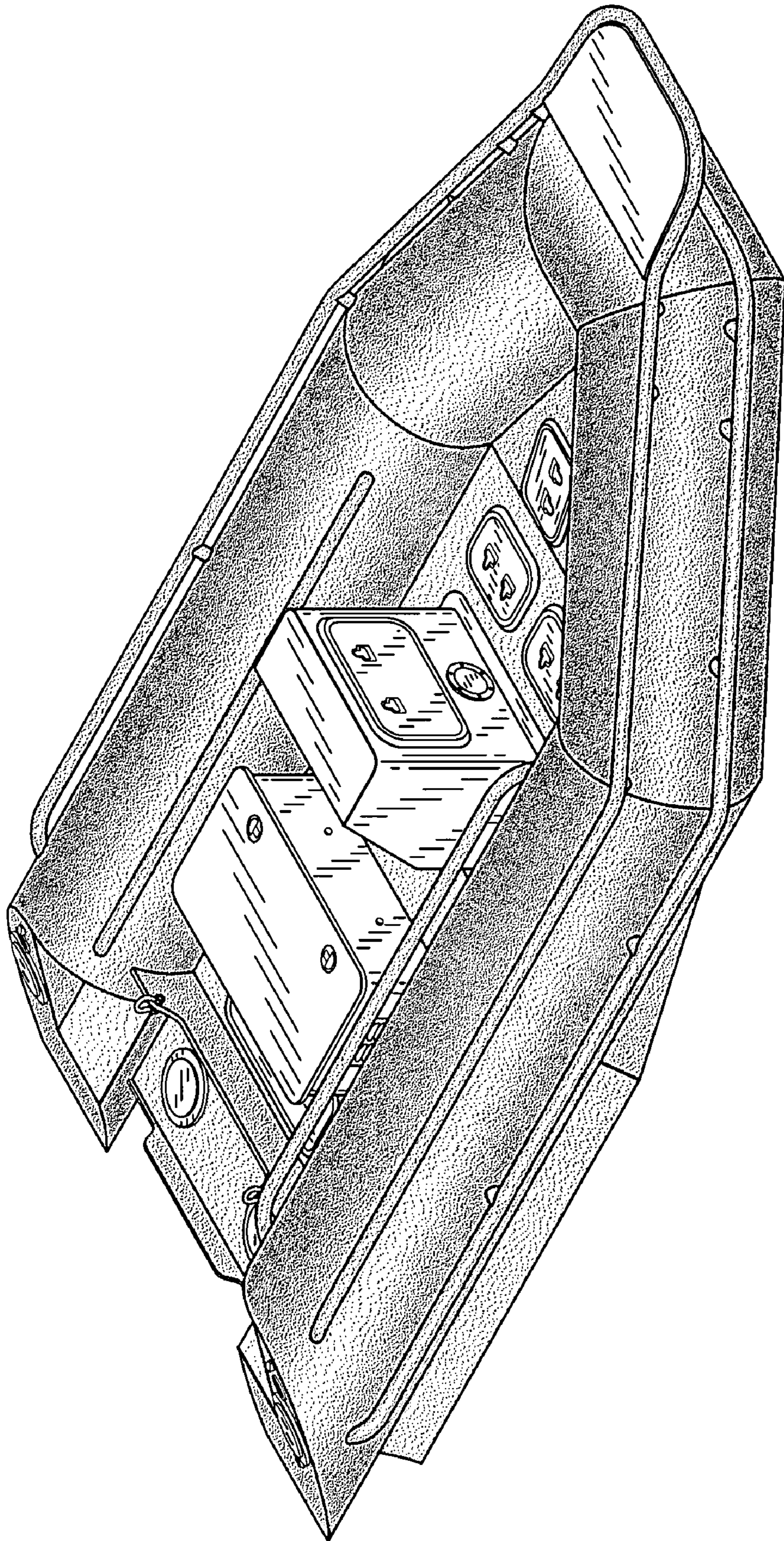


FIG. 2

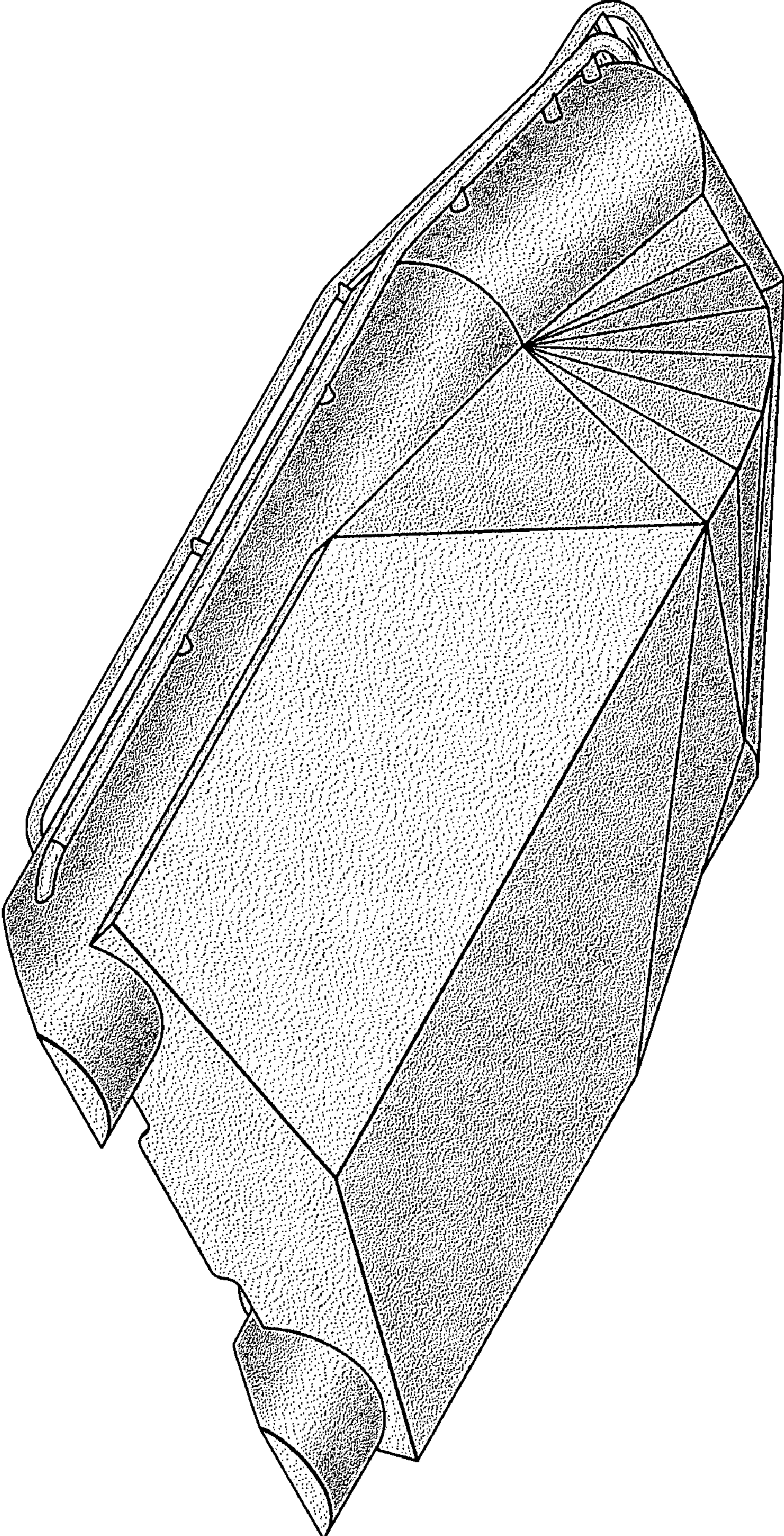


FIG. 3

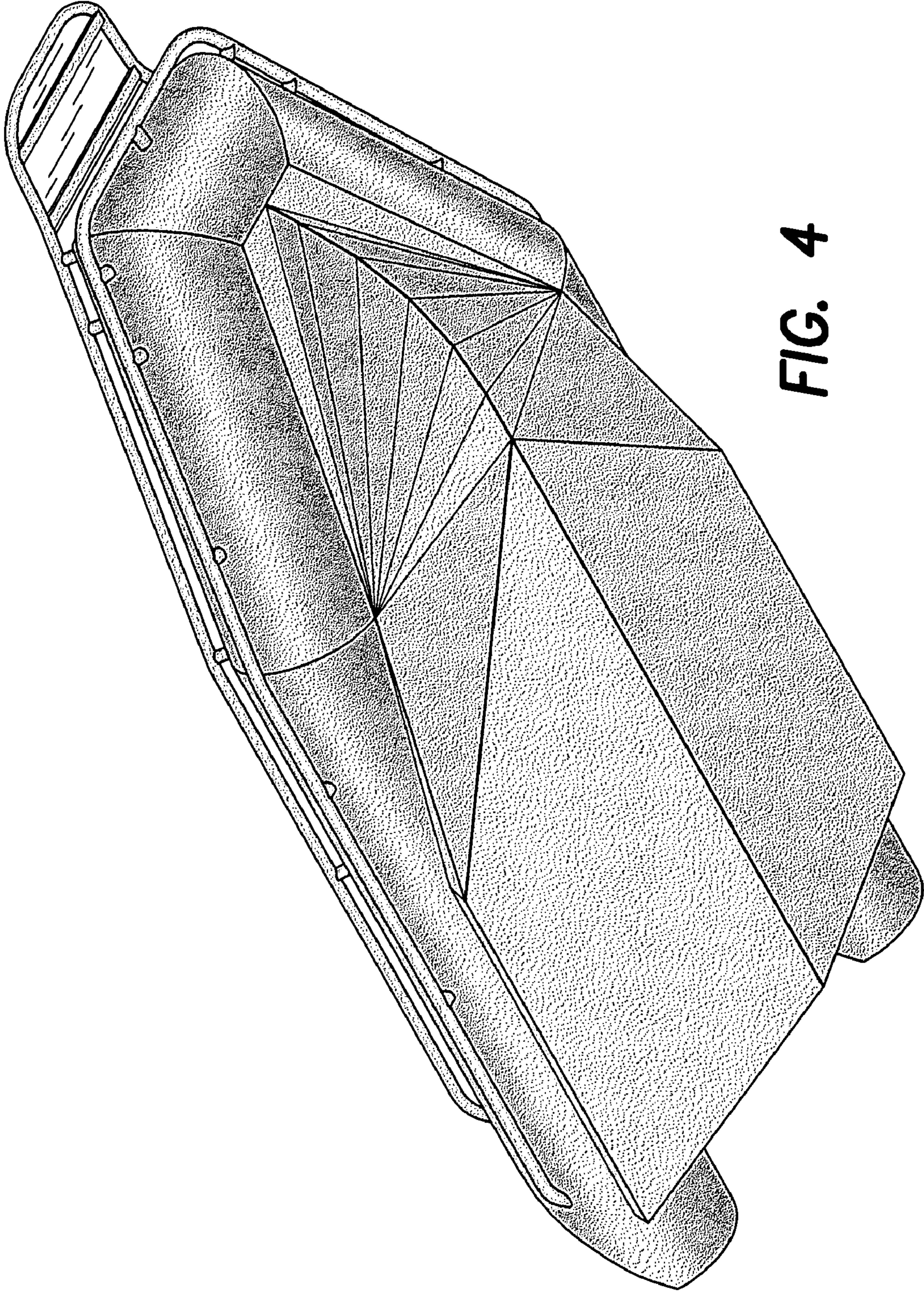


FIG. 4

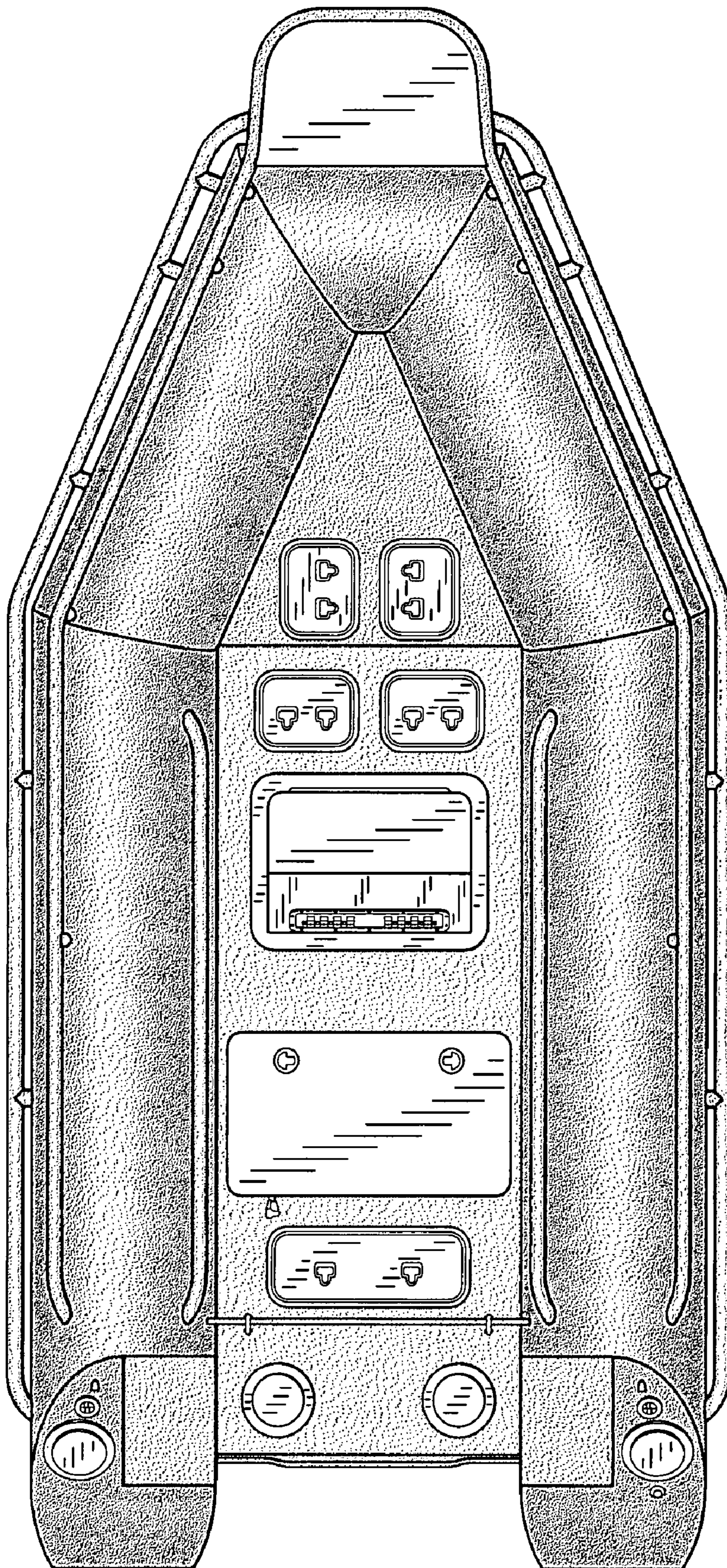


FIG. 5

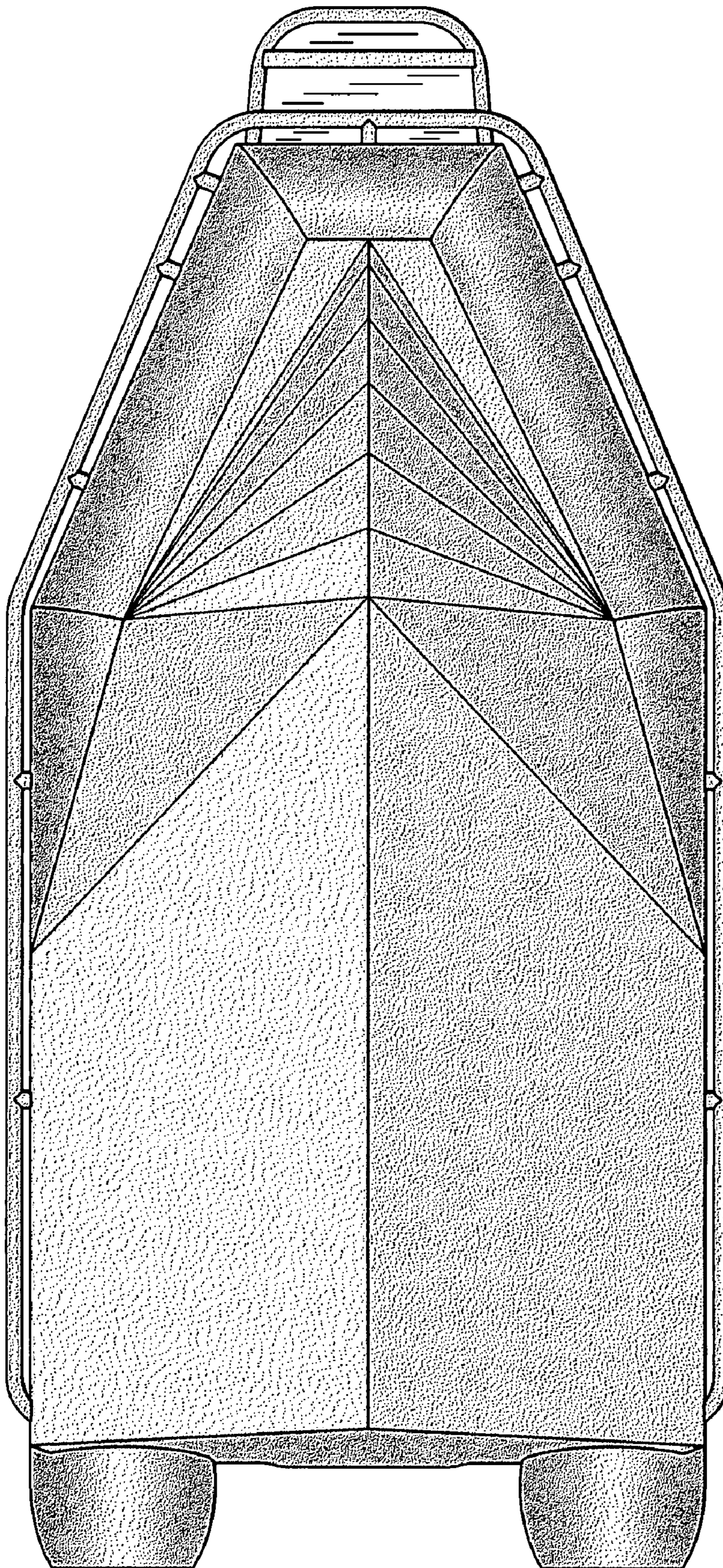


FIG. 6

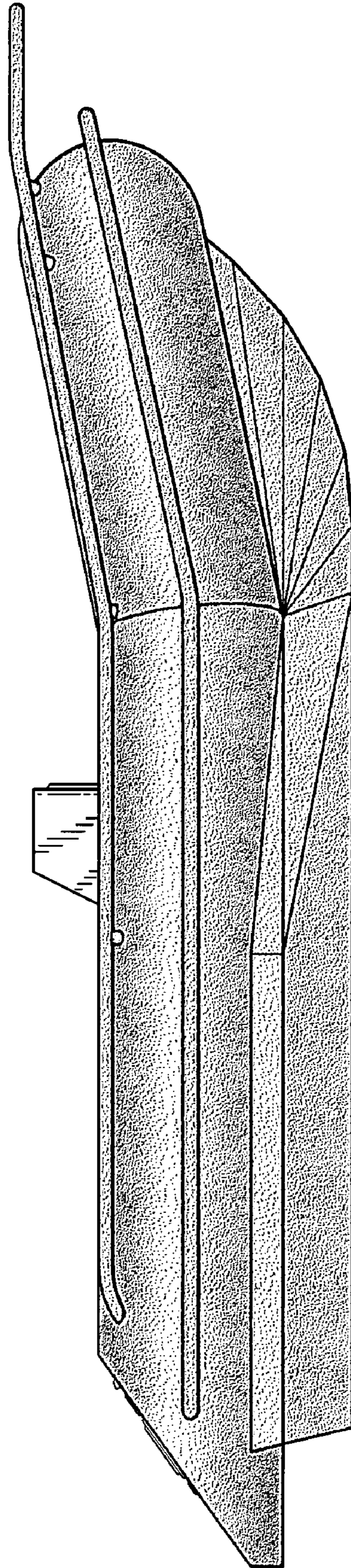


FIG. 7

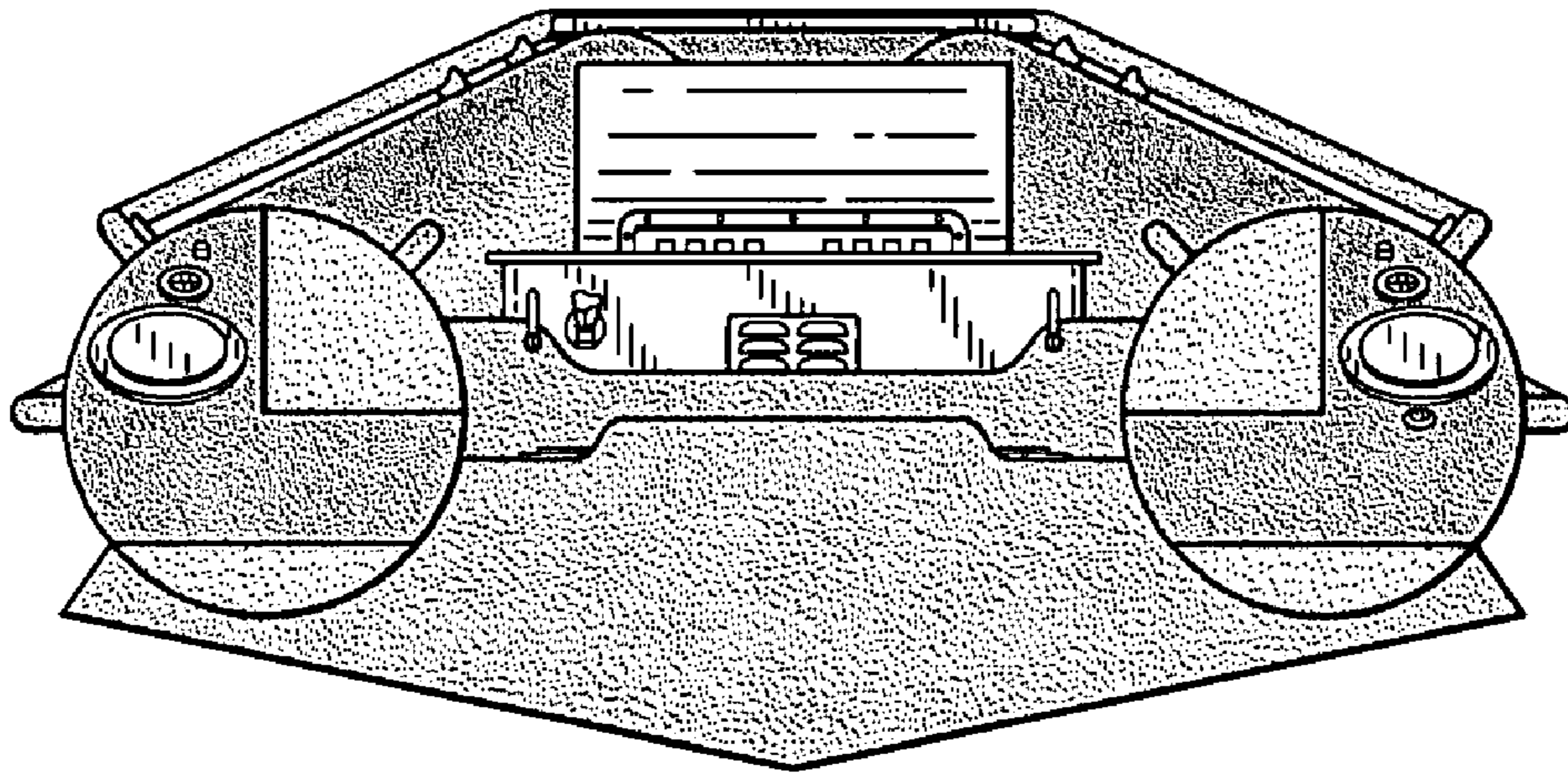


FIG. 8

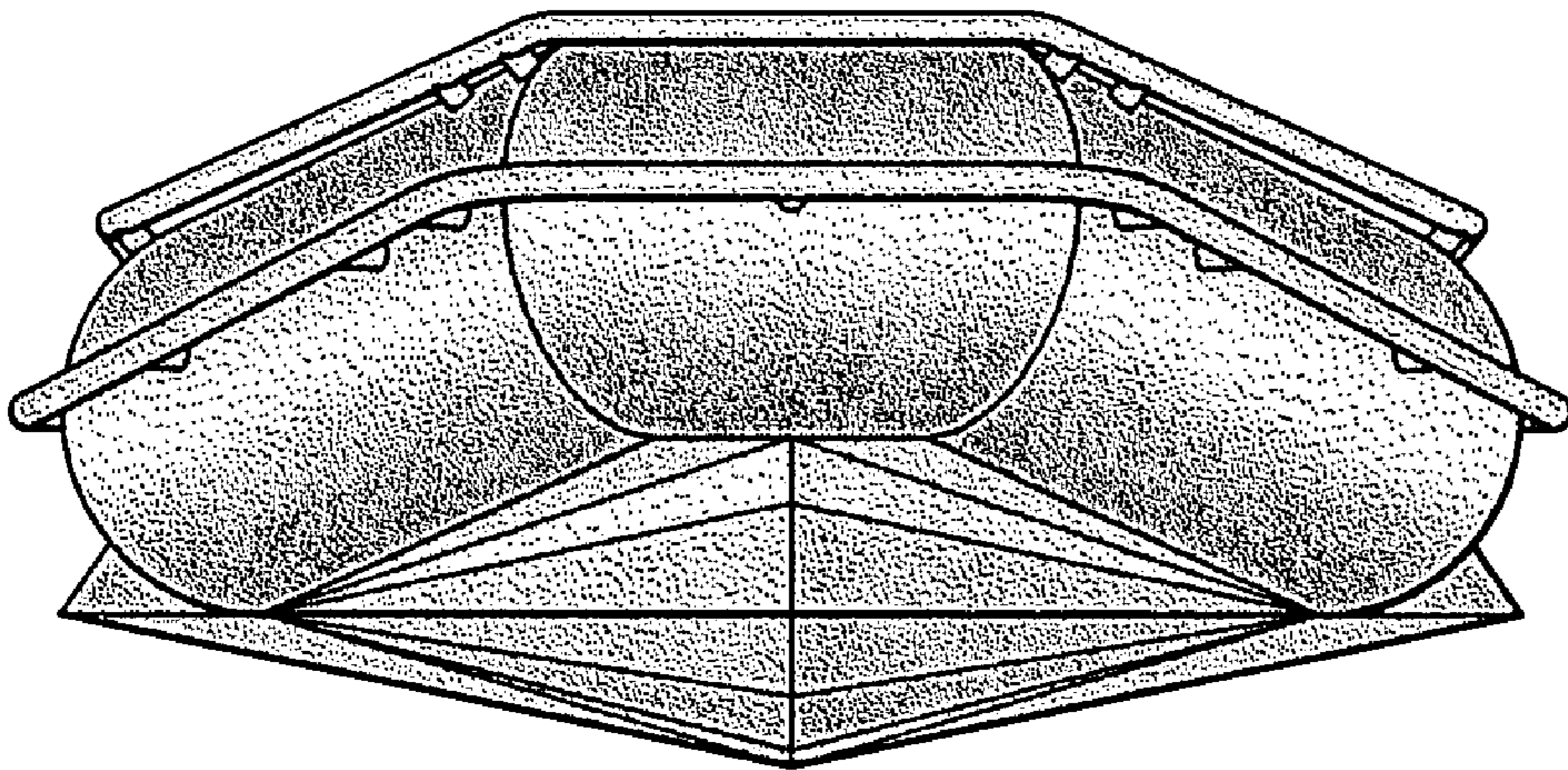


FIG. 9