



US00D559759S

(12) **United States Design Patent**
Truan et al.

(10) **Patent No.:** **US D559,759 S**
(45) **Date of Patent:** **** Jan. 15, 2008**

(54) **BED MOUNTED SPREADER ASSEMBLY**

5,690,466 A 11/1997 Gaddis et al.
5,842,649 A 12/1998 Beck et al.
5,927,617 A 7/1999 Musso, Jr. et al.
5,947,391 A 9/1999 Beck et al.

(75) Inventors: **Charles J. Truan**, Royal Oak, MI (US); **James Truan**, Royal Oak, MI (US); **Joshua Scott**, Royal Oak, MI (US); **Paul Mandrik**, Clinton Township, MI (US)

(Continued)

OTHER PUBLICATIONS

(73) Assignee: **Trynex, Inc.**, Warren, MI (US)

Angelos's Supplies, Inc.; Salt Dogg Poly Hopper Spreaders website print out, 4 Pages, Oct. 20, 2004 <http://www.angelos-supplies.com/plowparts/salt-dogg.pg>.

(**) Term: **14 Years**

Primary Examiner—Holly H. Baynham

Assistant Examiner—Sheryl Friedman

(21) Appl. No.: **29/225,964**

(74) *Attorney, Agent, or Firm*—William H. Honaker; Dickinson Wright PLLC

(22) Filed: **Mar. 22, 2005**

(51) **LOC (8) Cl.** **12-06**

(57) **CLAIM**

(52) **U.S. Cl.** **D12/221**

(58) **Field of Classification Search** D12/221, D12/15; 239/661, 654, 657, 672

An ornamental design for a bed mounted spreader assembly, as shown and described.

See application file for complete search history.

DESCRIPTION

(56) **References Cited**

FIG. 1 is a perspective view of a vehicle having a spreader assembly mounted in a bed of the vehicle and those lines shown in phantom form no part of the claimed invention;

U.S. PATENT DOCUMENTS

- 2,858,011 A 10/1958 Wahl
- 3,322,429 A 5/1967 Cervelli
- 3,521,930 A * 7/1970 Tucker 298/24
- 3,559,894 A 2/1971 Murray et al.
- 3,746,264 A 7/1973 Diener et al.
- 3,819,120 A 6/1974 Walker
- 4,363,447 A 12/1982 Schulze
- 4,607,979 A 8/1986 Morrison
- 4,657,431 A 4/1987 Morrison
- 4,712,717 A 12/1987 Egerdahl
- D314,578 S 2/1991 Morrison
- D335,267 S 5/1993 Upshaw
- H1205 H 7/1993 Pierce et al.
- 5,234,128 A 8/1993 Hill
- 5,288,028 A 2/1994 Spivak et al.
- 5,397,172 A 3/1995 Musso, Jr. et al.
- D368,887 S 4/1996 Upshaw
- 5,649,666 A 7/1997 Lewis
- 5,669,531 A 9/1997 Hagemeyer

FIG. 2 is a perspective view of the spreader assembly having a hopper and a base and those lines shown in phantom form no part of the claimed invention;

FIG. 3 is a side view of the spreader assembly;

FIG. 4 is a top view of the spreader assembly;

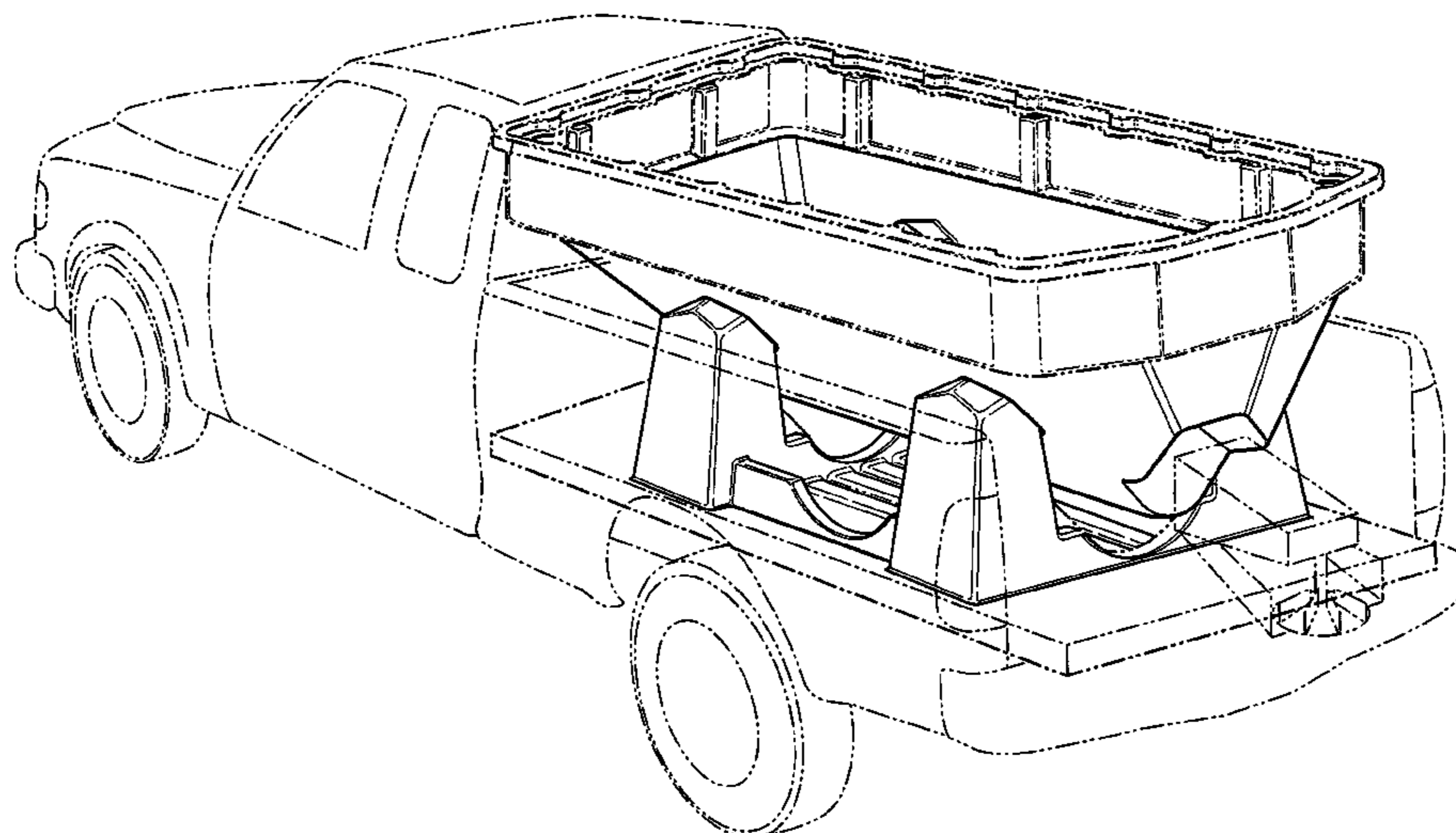
FIG. 5 is a rear view of the spreader assembly;

FIG. 6 is a front view of the spreader assembly; and,

FIG. 7 is an exploded perspective view of the hopper and the base and those lines shown in phantom form no part of the claimed invention.

The broken line showing of a bed mounted spreader is included for the purpose of illustrating environmental structure and forms no part of the claimed design.

1 Claim, 6 Drawing Sheets



US D559,759 S

Page 2

U.S. PATENT DOCUMENTS

5,988,534 A	11/1999	Kost et al.	D458,209 S	6/2002	Darbishire
6,027,052 A	2/2000	Strieker et al.	6,398,137 B1	6/2002	Manon et al.
6,047,908 A	4/2000	Seymour et al.	6,517,281 B1 *	2/2003	Rissi 404/110
6,068,200 A	5/2000	Kime	D478,543 S *	8/2003	Truan et al. D12/221
6,089,478 A	7/2000	Truan et al.	6,715,703 B2	4/2004	Kost et al.
6,092,966 A	7/2000	Martin et al.	6,722,590 B2	4/2004	Kost et al.
6,145,709 A	11/2000	Hogan et al.	6,793,154 B2	9/2004	Kost
6,179,230 B1	1/2001	Geroux et al.	6,953,163 B2 *	10/2005	Truan et al. 239/661
D438,836 S	3/2001	Reiter	D520,524 S *	5/2006	Sandler et al. D15/13
6,220,532 B1	4/2001	Manon et al.	2003/0156933 A1	8/2003	Arne et al.
D452,472 S	12/2001	Darbishire			

* cited by examiner

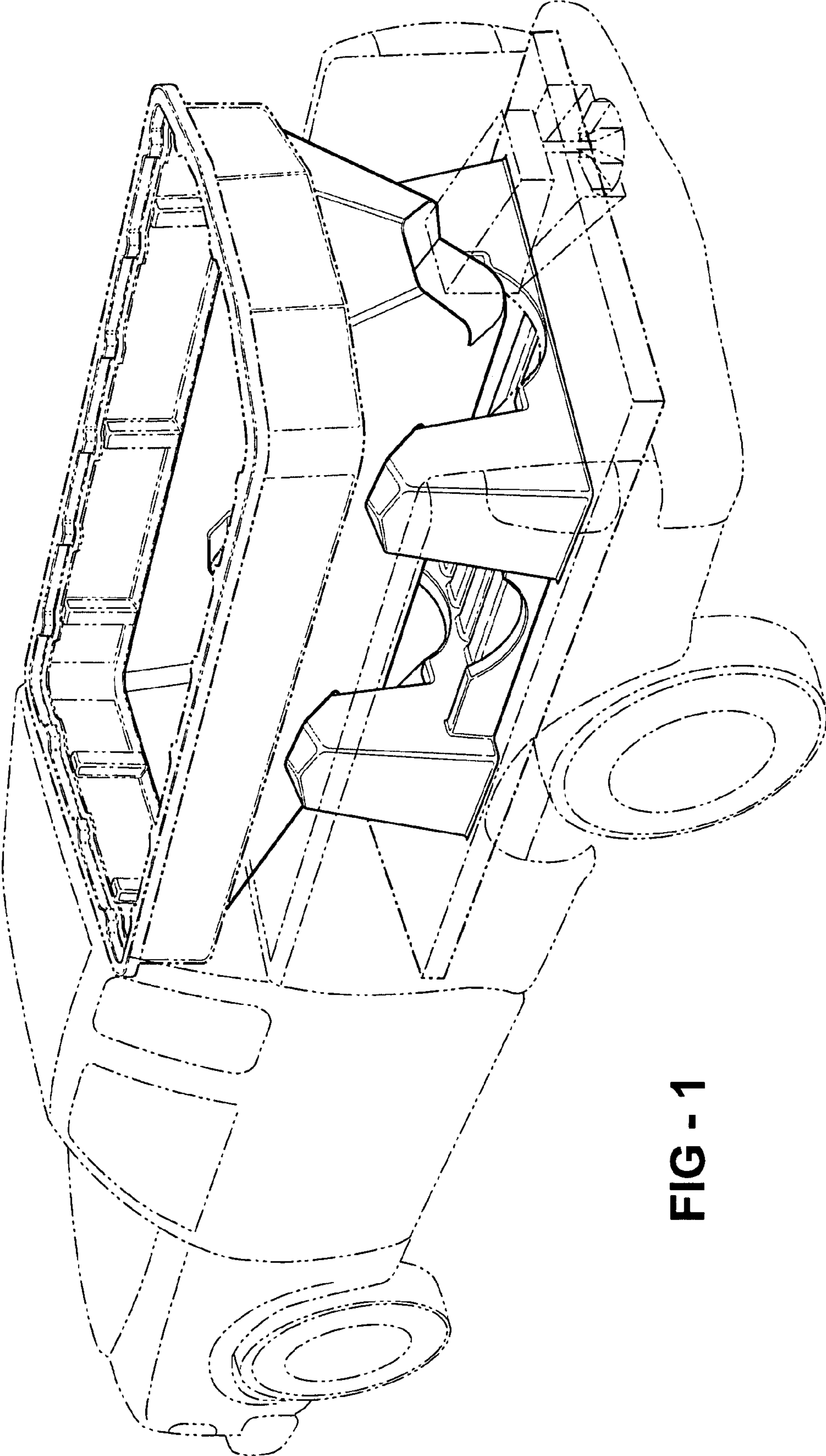


FIG - 1

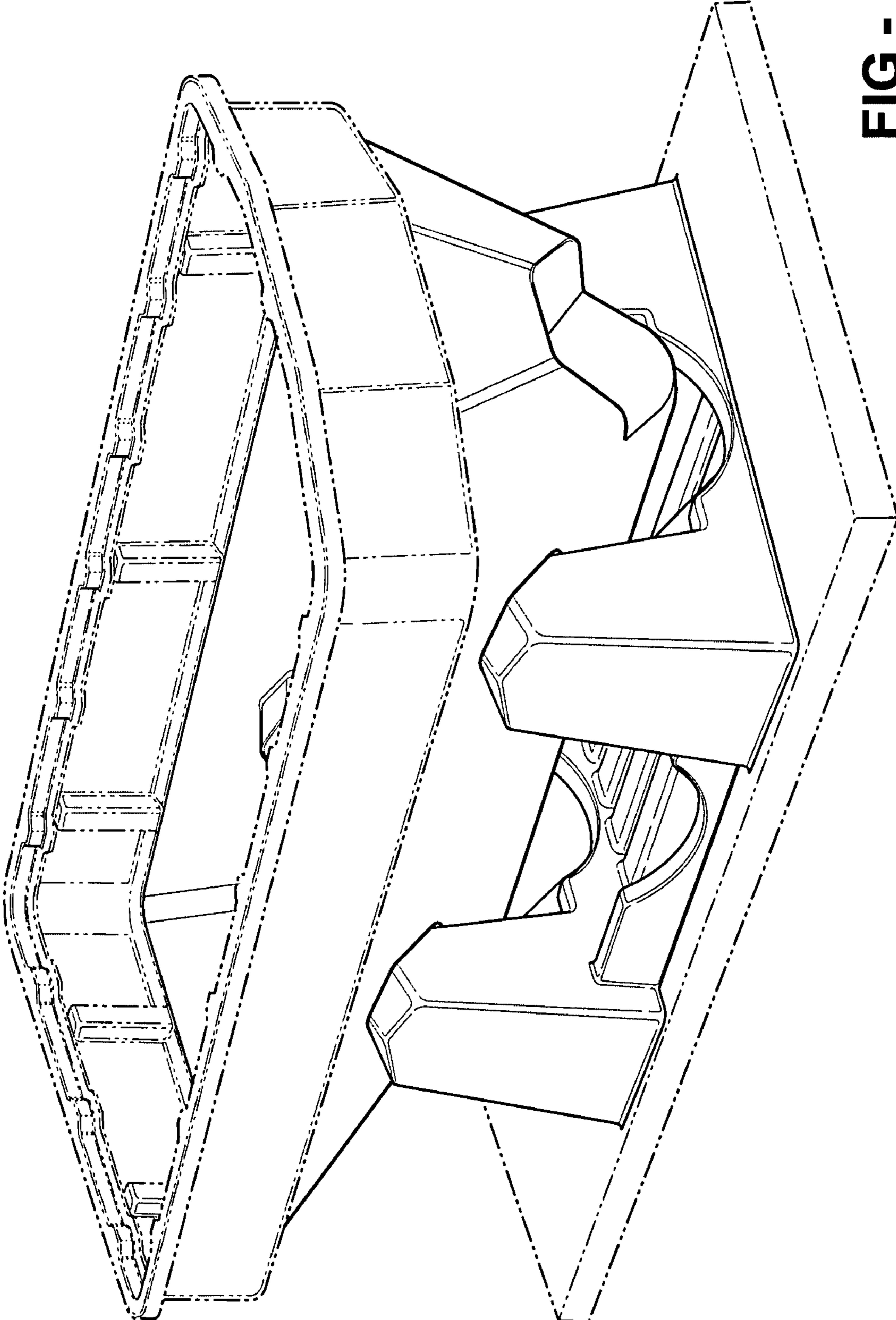


FIG - 2

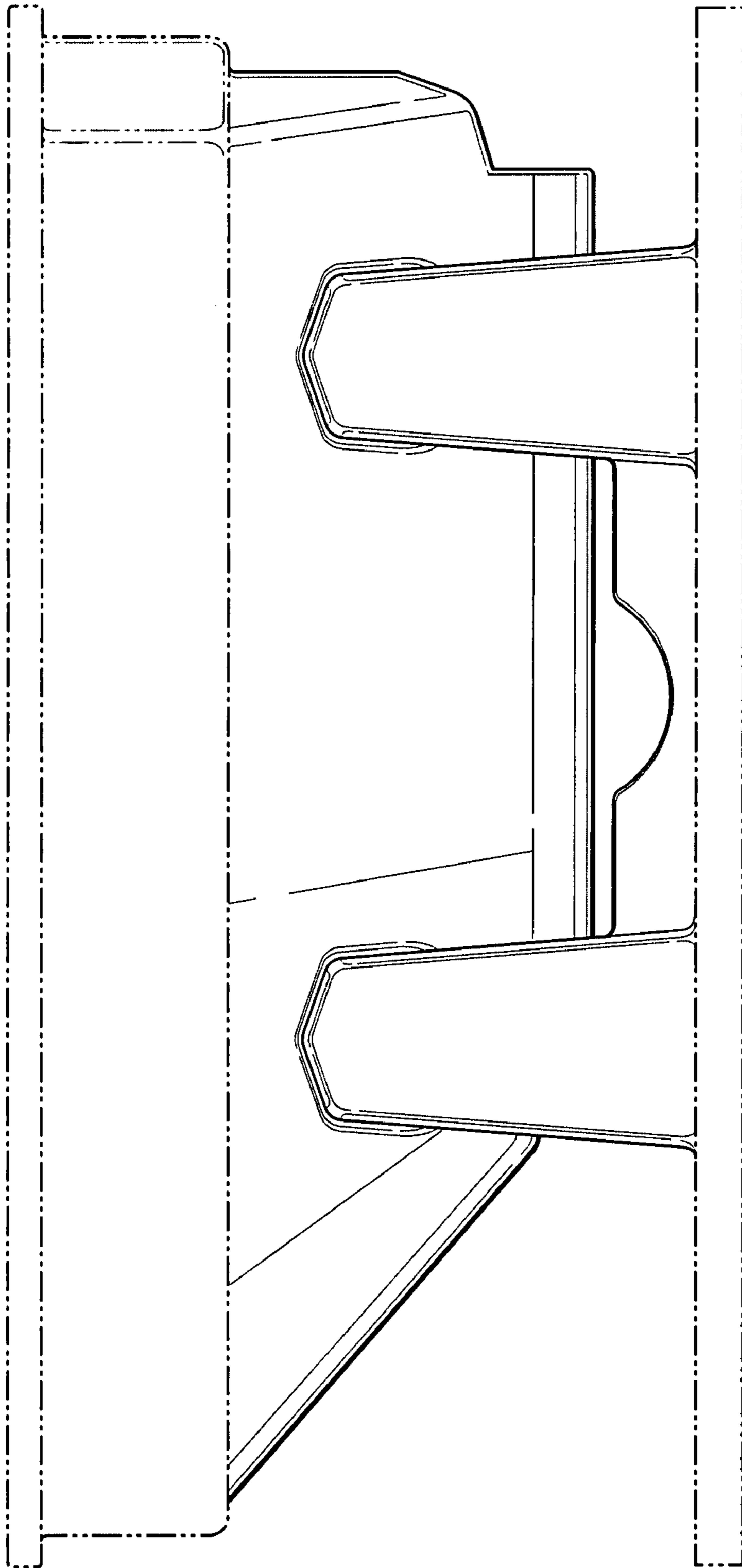


FIG - 3

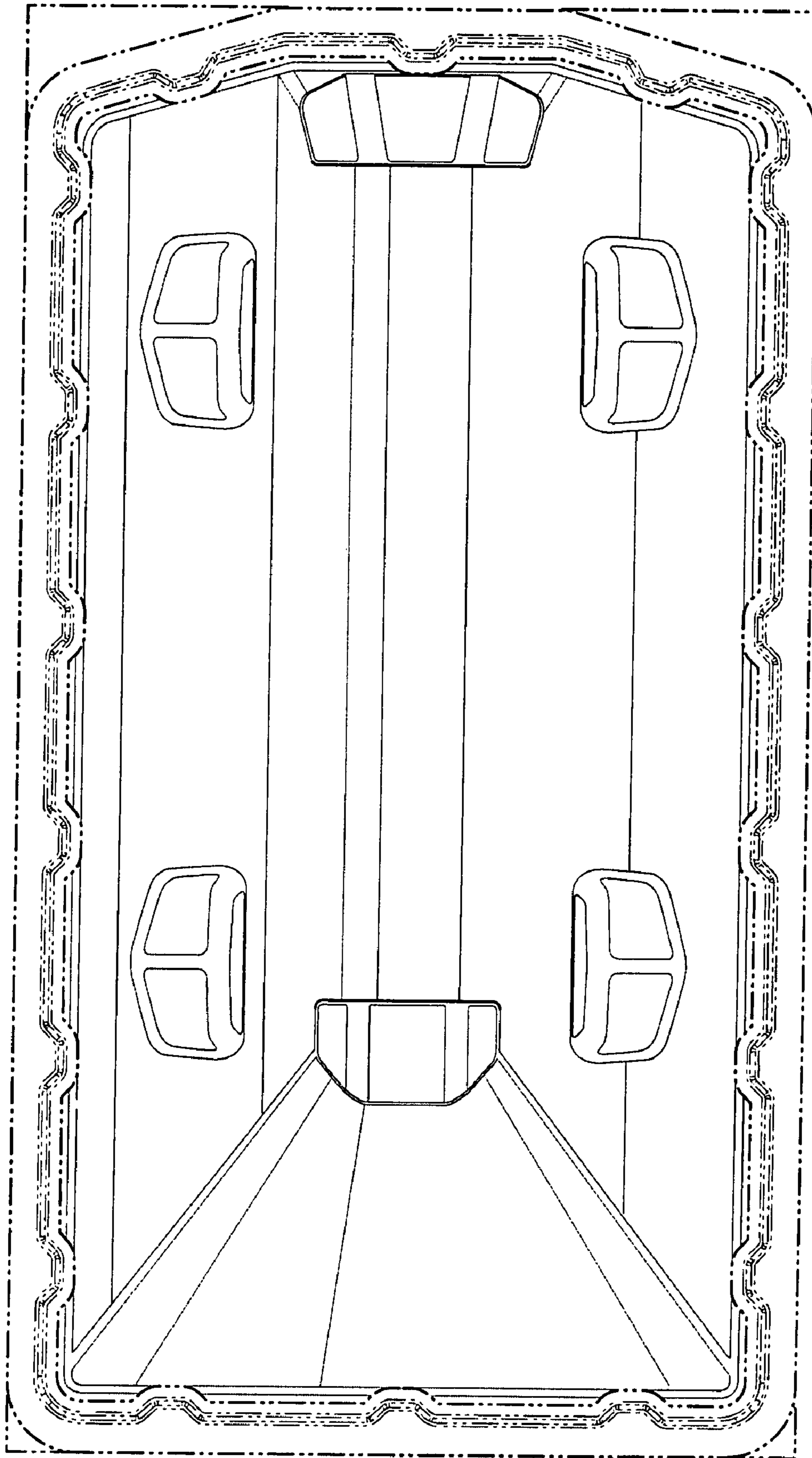


FIG - 4

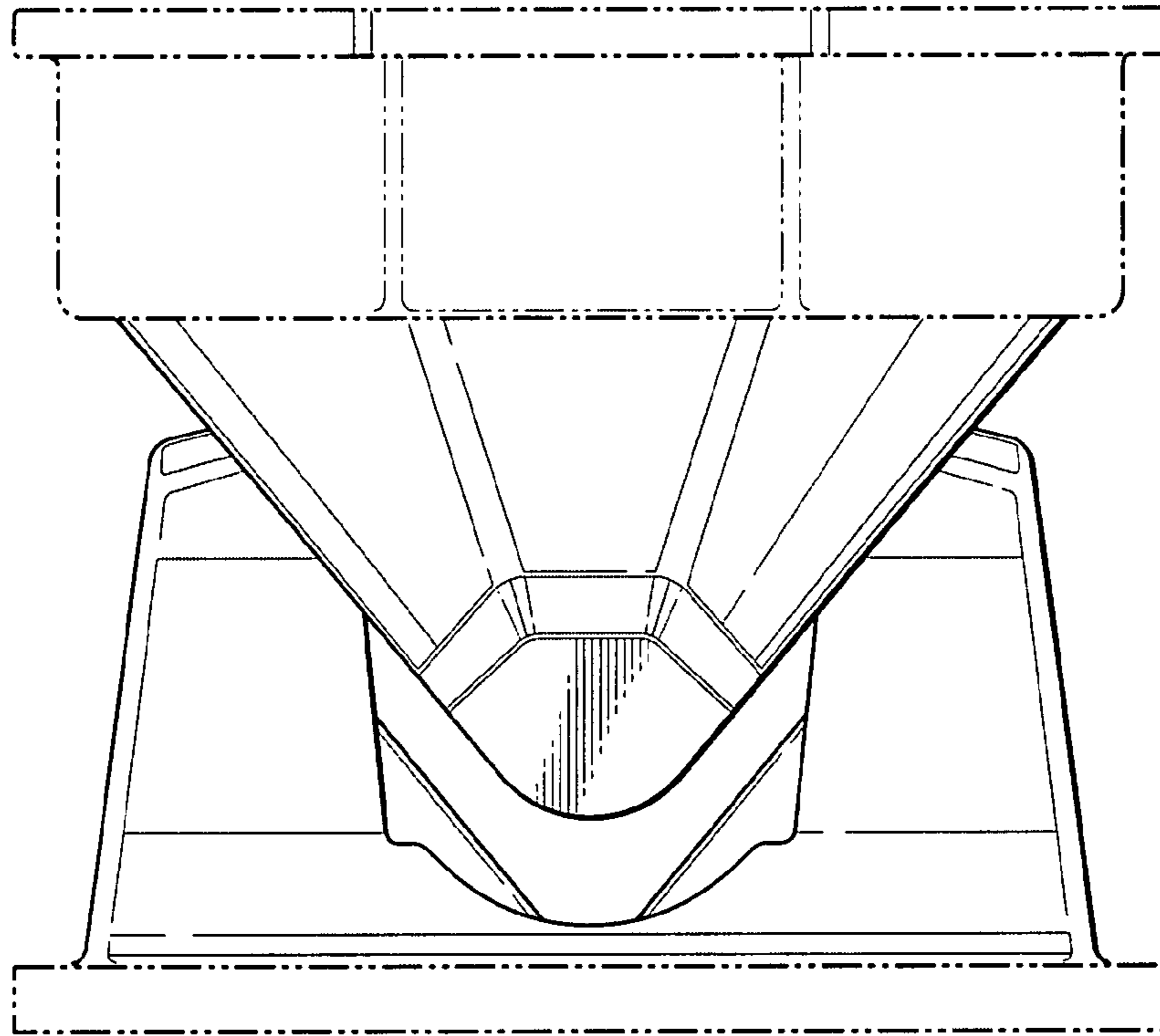


FIG - 5

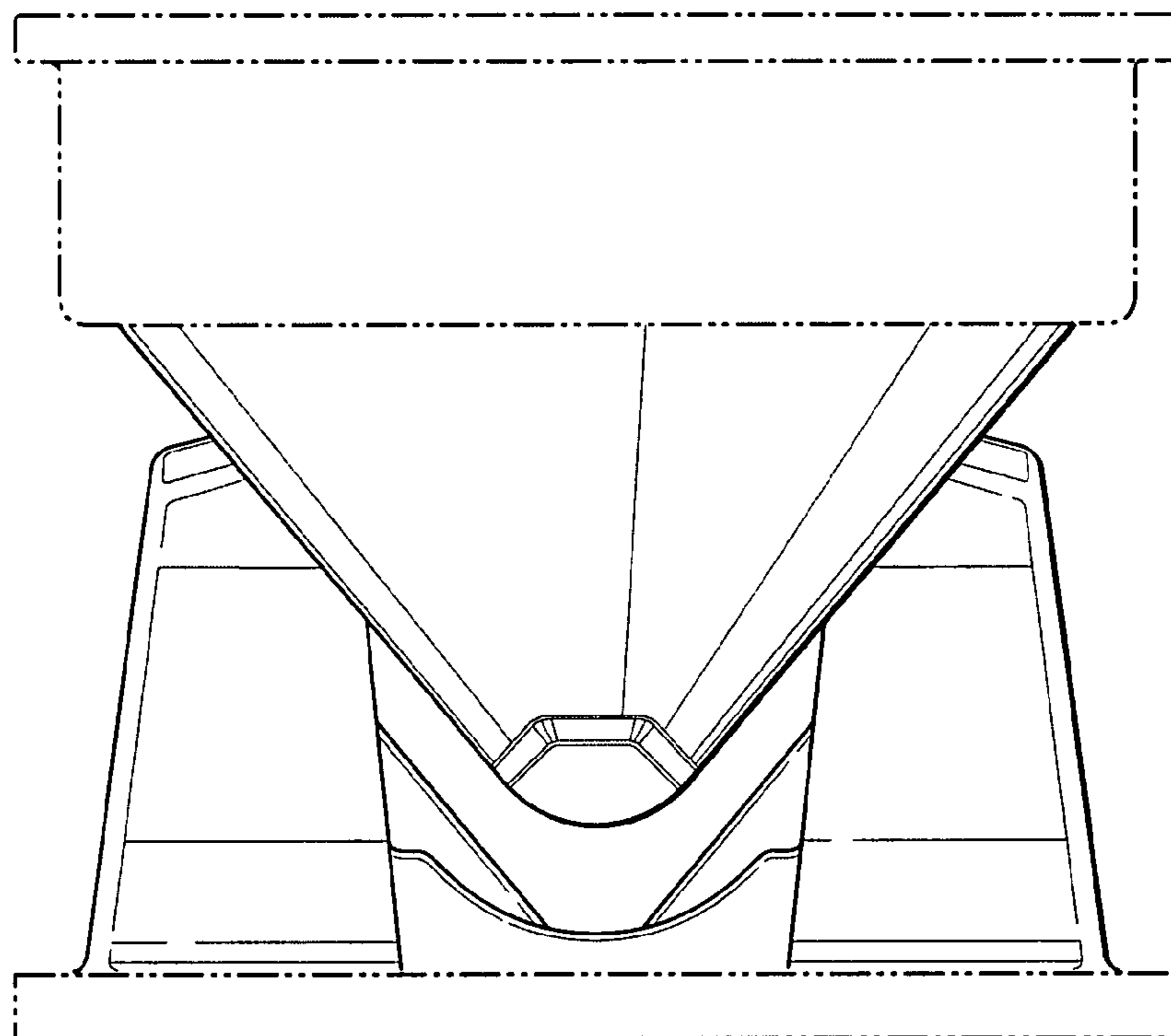


FIG - 6

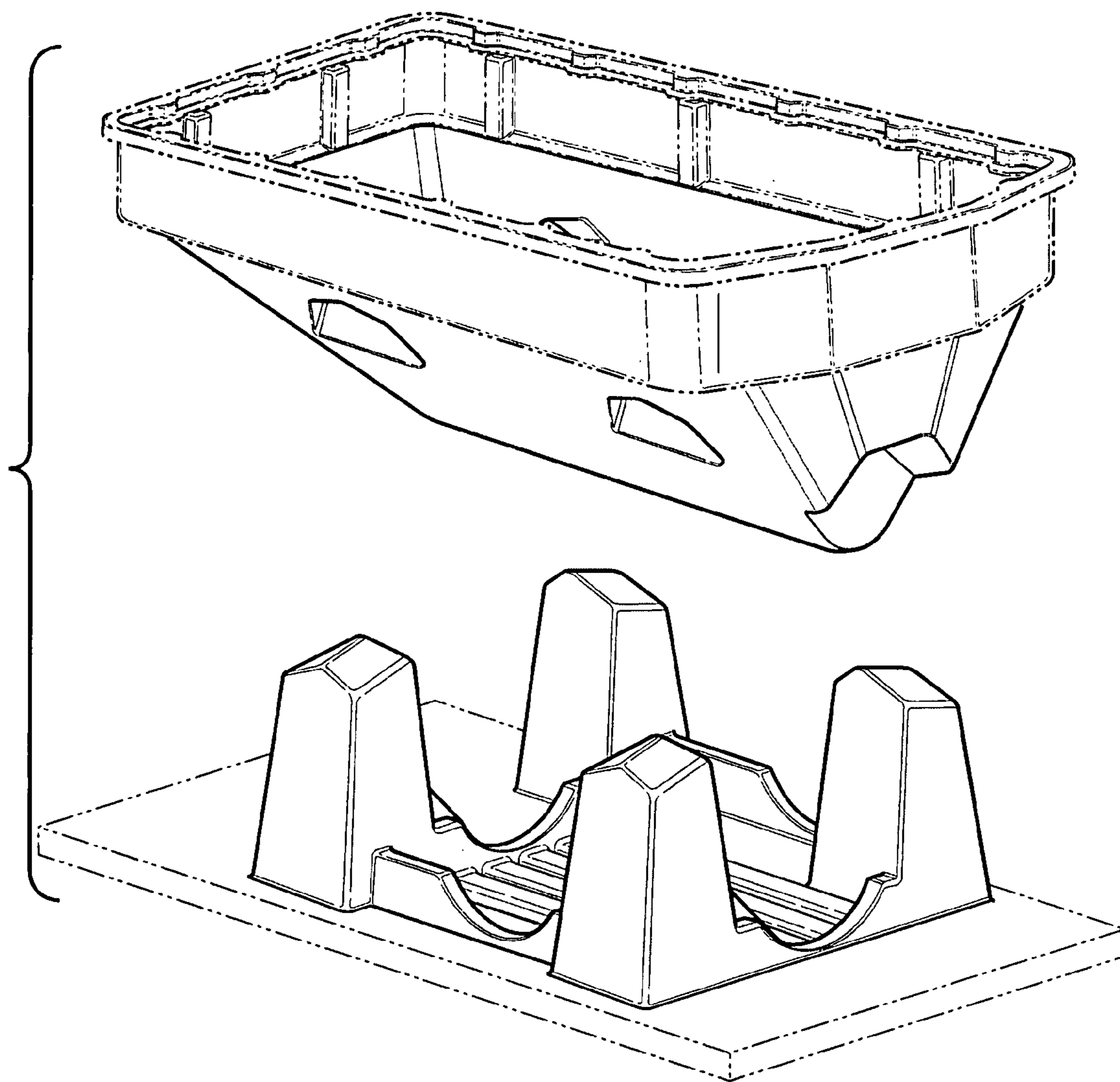


FIG - 7