



US00D559758S

(12) **United States Design Patent**  
**Zane**

(10) **Patent No.:** **US D559,758 S**

(45) **Date of Patent:** **\*\* Jan. 15, 2008**

(54) **VEHICLE-WHEEL FRONT FACE**

D546,266 S \* 7/2007 Young ..... D12/211  
D551,148 S \* 9/2007 Musser ..... D12/211

(76) Inventor: **David Zane**, 10412 Nutt Creek Ave.,  
Las Vegas, NV (US) 89129

\* cited by examiner

(\*\*) Term: **14 Years**

*Primary Examiner*—Stacia Cadmus  
(74) *Attorney, Agent, or Firm*—Christie, Parker & Hale,  
LLP

(21) Appl. No.: **29/287,304**

(22) Filed: **Jul. 20, 2007**

(57) **CLAIM**

(51) **LOC (8) Cl.** ..... **12-16**

The ornamental design for a vehicle-wheel front face, as  
shown and described.

(52) **U.S. Cl.** ..... **D12/211**

(58) **Field of Classification Search** ..... D12/204–213;  
301/37.101, 64.101, 65, 64.201

See application file for complete search history.

**DESCRIPTION**

(56) **References Cited**

FIG. 1 is a perspective view of a vehicle-wheel front face  
according to my new design;

FIG. 2 is a front elevational view thereof; and,

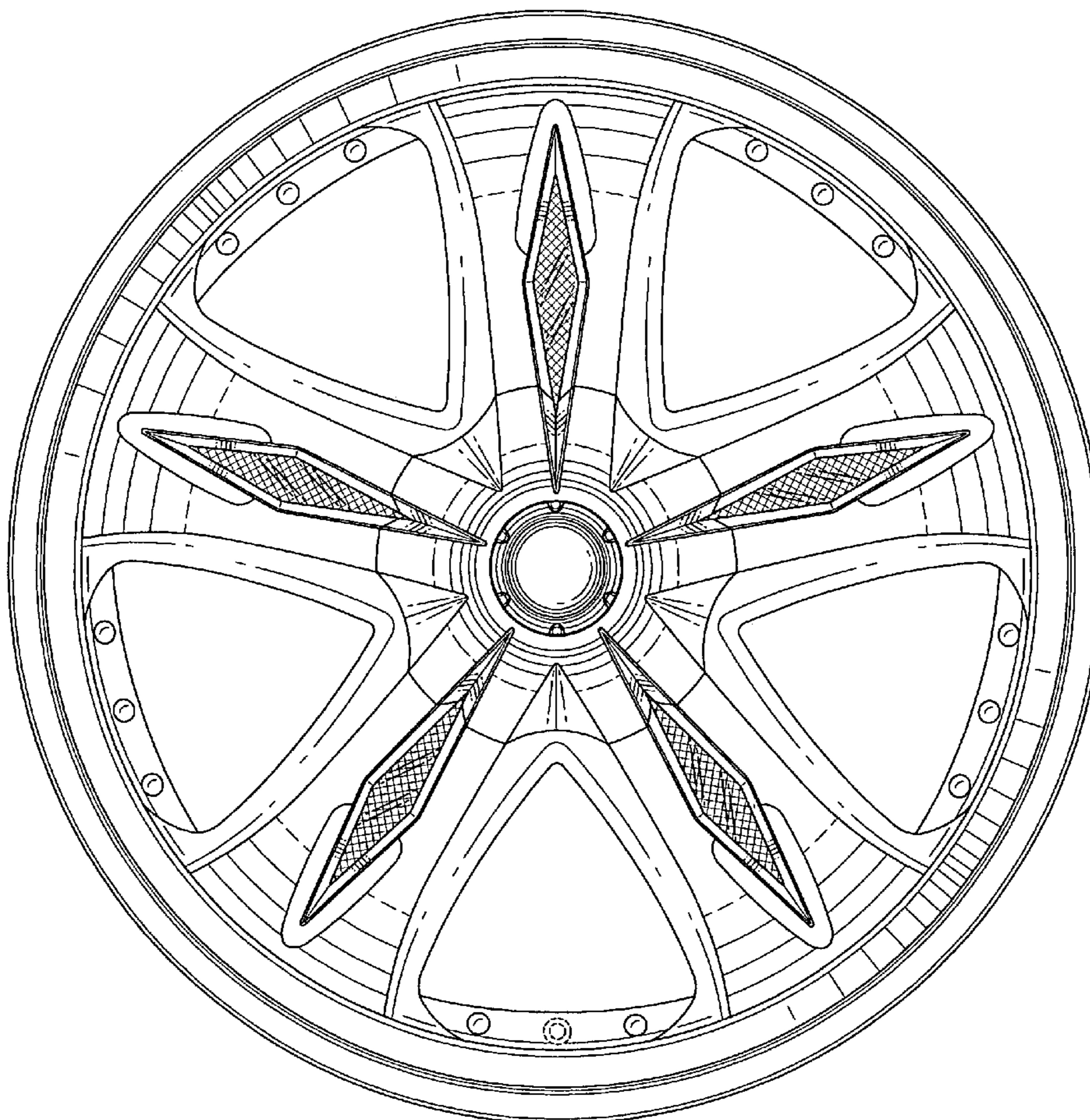
FIG. 3 is a side elevational view thereof.

**U.S. PATENT DOCUMENTS**

D519,906 S \* 5/2006 Long ..... D12/209  
D522,436 S \* 6/2006 Long ..... D12/209  
D528,496 S \* 9/2006 Marji ..... D12/211  
D528,961 S \* 9/2006 Ward et al. .... D12/211  
D531,102 S \* 10/2006 Loohe ..... D12/209  
D540,236 S \* 4/2007 Hamano ..... D12/209

Portions of the wheel depicted in broken lines are for  
illustrative purposes only, and form no part of the claimed  
invention.

**1 Claim, 3 Drawing Sheets**



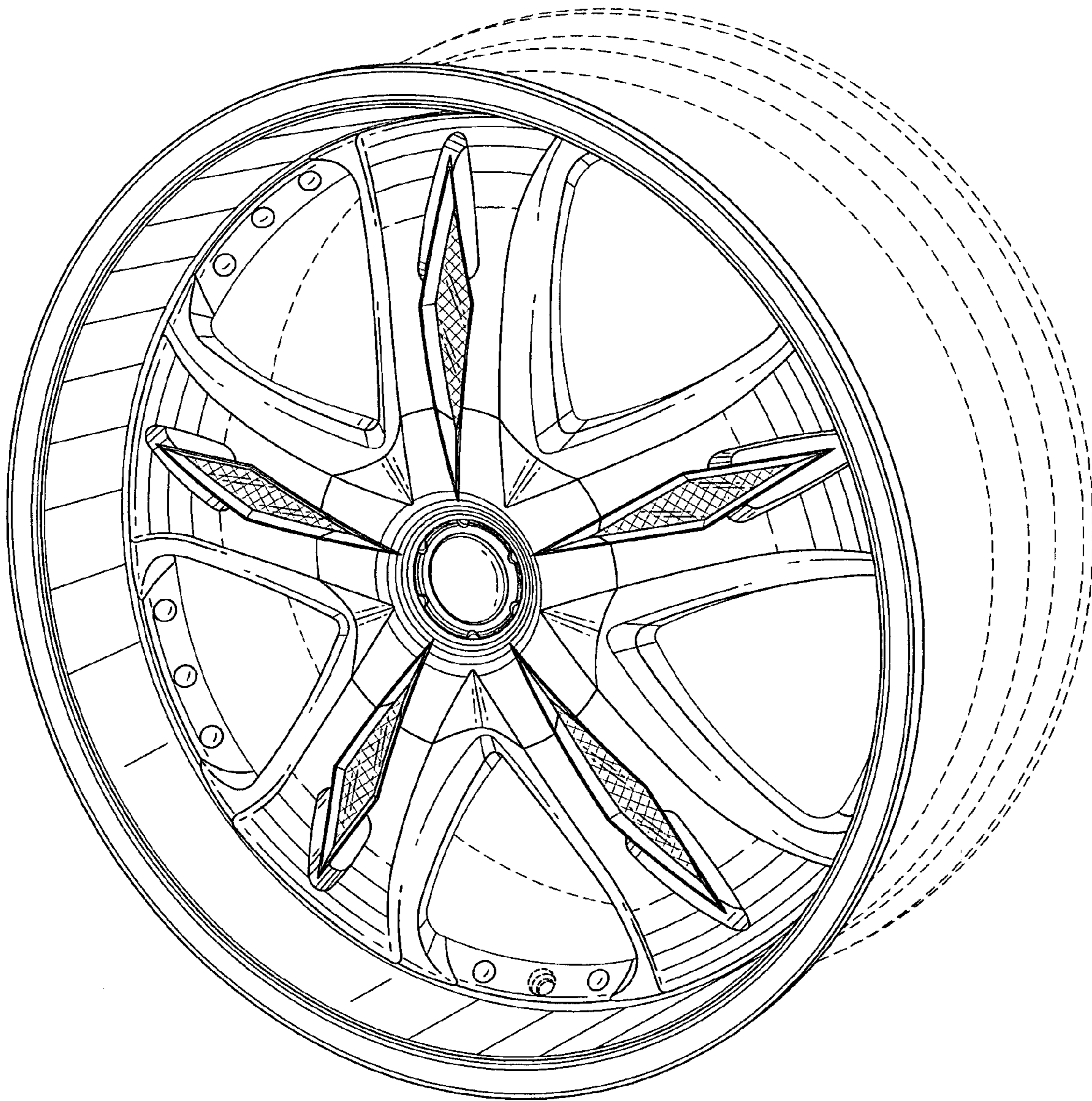


FIG. 1



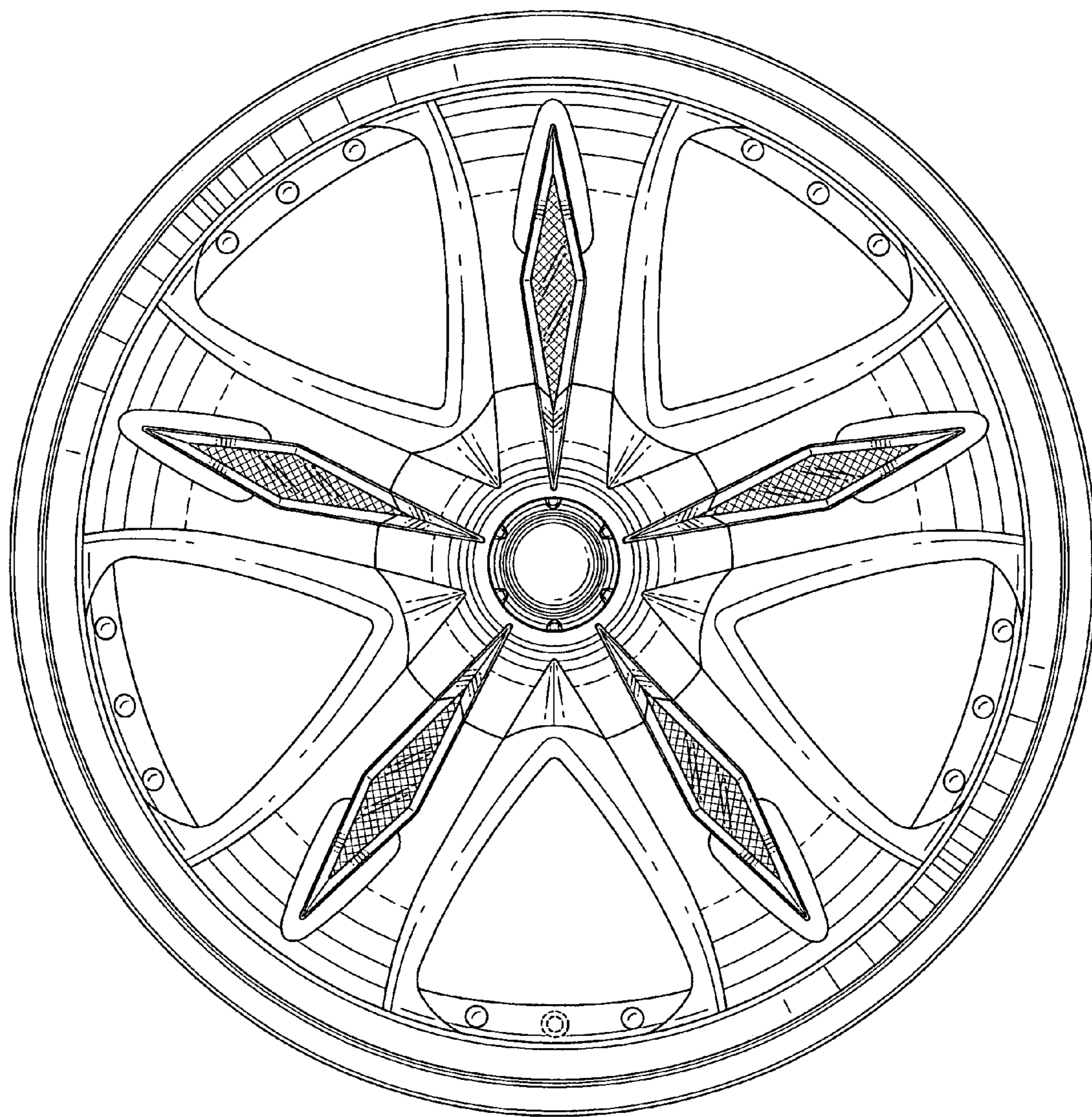
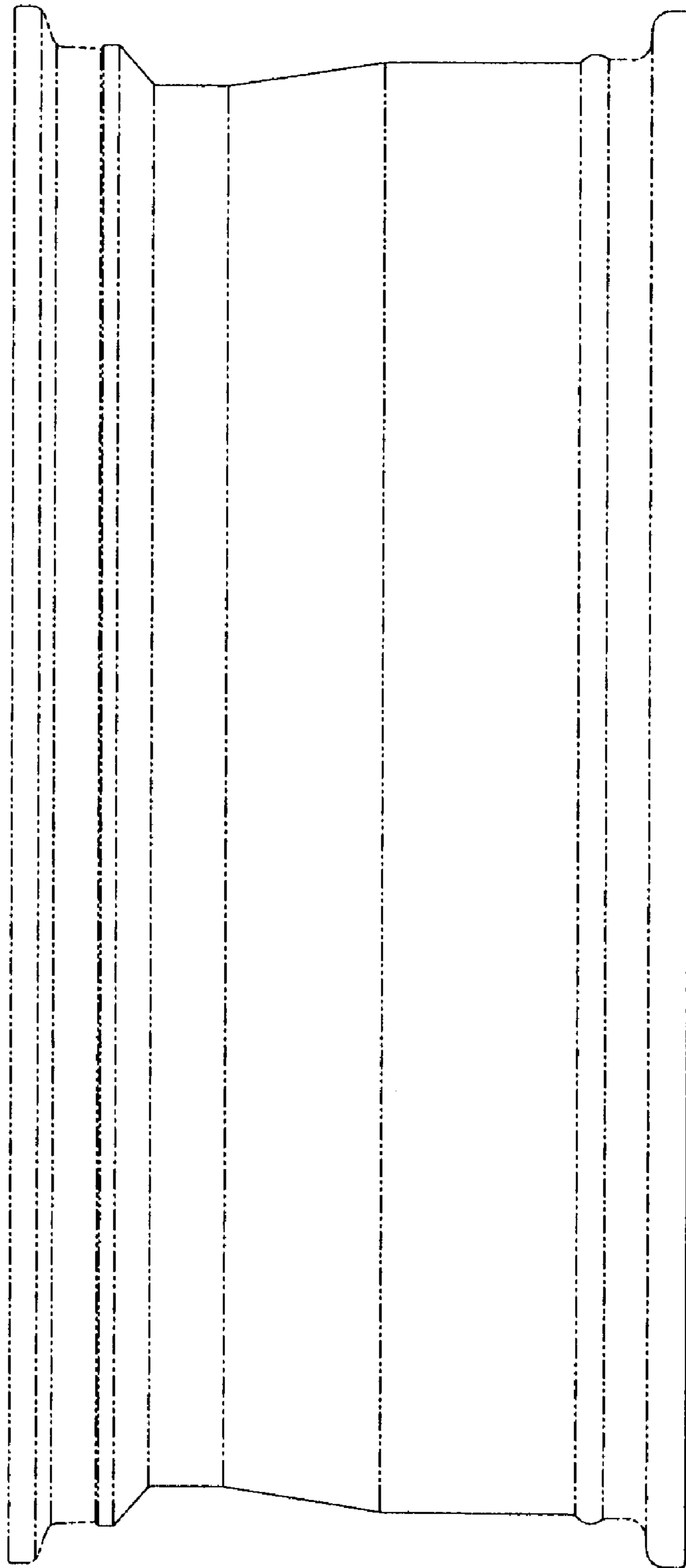


FIG. 2



*FIG. 3*