



US00D559757S

(12) **United States Design Patent**
Shimokawa et al.

(10) **Patent No.:** **US D559,757 S**

(45) **Date of Patent:** **** Jan. 15, 2008**

(54) **WHEEL FOR A MOTORCYCLE**

(75) Inventors: **Hiroshi Shimokawa**, Tokyo (JP);
Takuya Nakamura, Tokyo (JP)

(73) Assignee: **Yamaha Hatsudoki Kabushiki Kaisha**
(JP)

(**) Term: **14 Years**

(21) Appl. No.: **29/285,106**

(22) Filed: **Mar. 21, 2007**

(51) **LOC (8) Cl.** **12-16**

(52) **U.S. Cl.** **D12/211**

(58) **Field of Classification Search** D12/204-213,
D12/110; 301/37.101, 64.101, 65, 64.201
See application file for complete search history.

(56) **References Cited**

U.S. PATENT DOCUMENTS

D271,865 S *	12/1983	Morioka et al.	D12/110
D276,717 S *	12/1984	Ogishima et al.	D12/211
D347,203 S *	5/1994	Buyze et al.	D12/211
D372,696 S *	8/1996	Tung	D12/209
D389,101 S *	1/1998	Julien	D12/211
D397,663 S *	9/1998	Chrysanto	D12/209
D445,752 S *	7/2001	Lee	D12/211

D458,888 S *	6/2002	Stolz et al.	D12/209
D494,522 S *	8/2004	Rivers	D12/209
D510,308 S *	10/2005	Takechi	D12/209

* cited by examiner

Primary Examiner—Stacia Cadmus

(74) *Attorney, Agent, or Firm*—Ostrolenk, Faber, Gerb & Soffen, LLP

(57) **CLAIM**

The ornamental design for a wheel for a motorcycle, as shown.

DESCRIPTION

FIG. 1 is a front perspective view of a wheel for a motorcycle showing our new design;

FIG. 2 is a rear perspective view thereof;

FIG. 3 is a right side view thereof;

FIG. 4 is a left side view thereof;

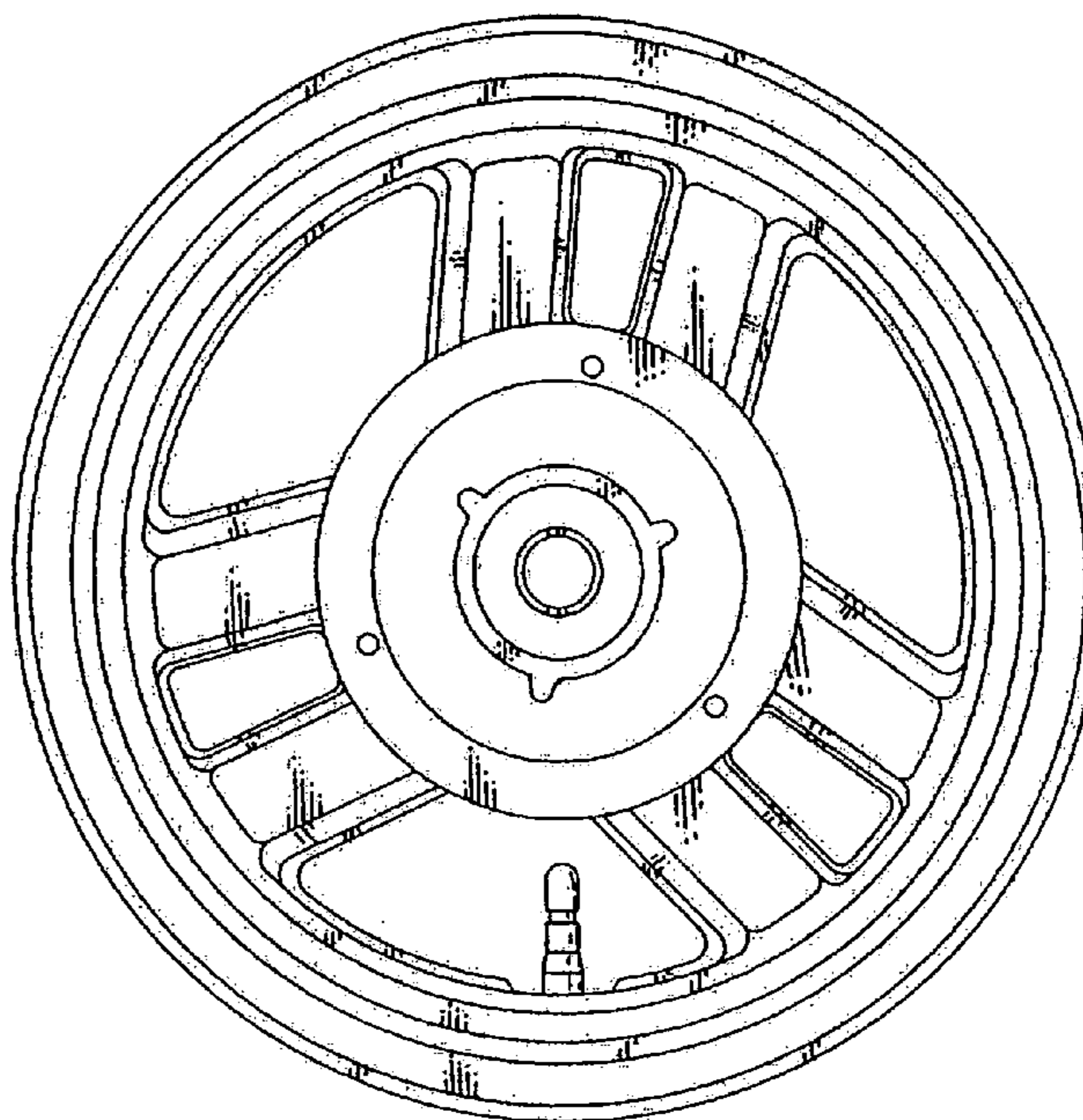
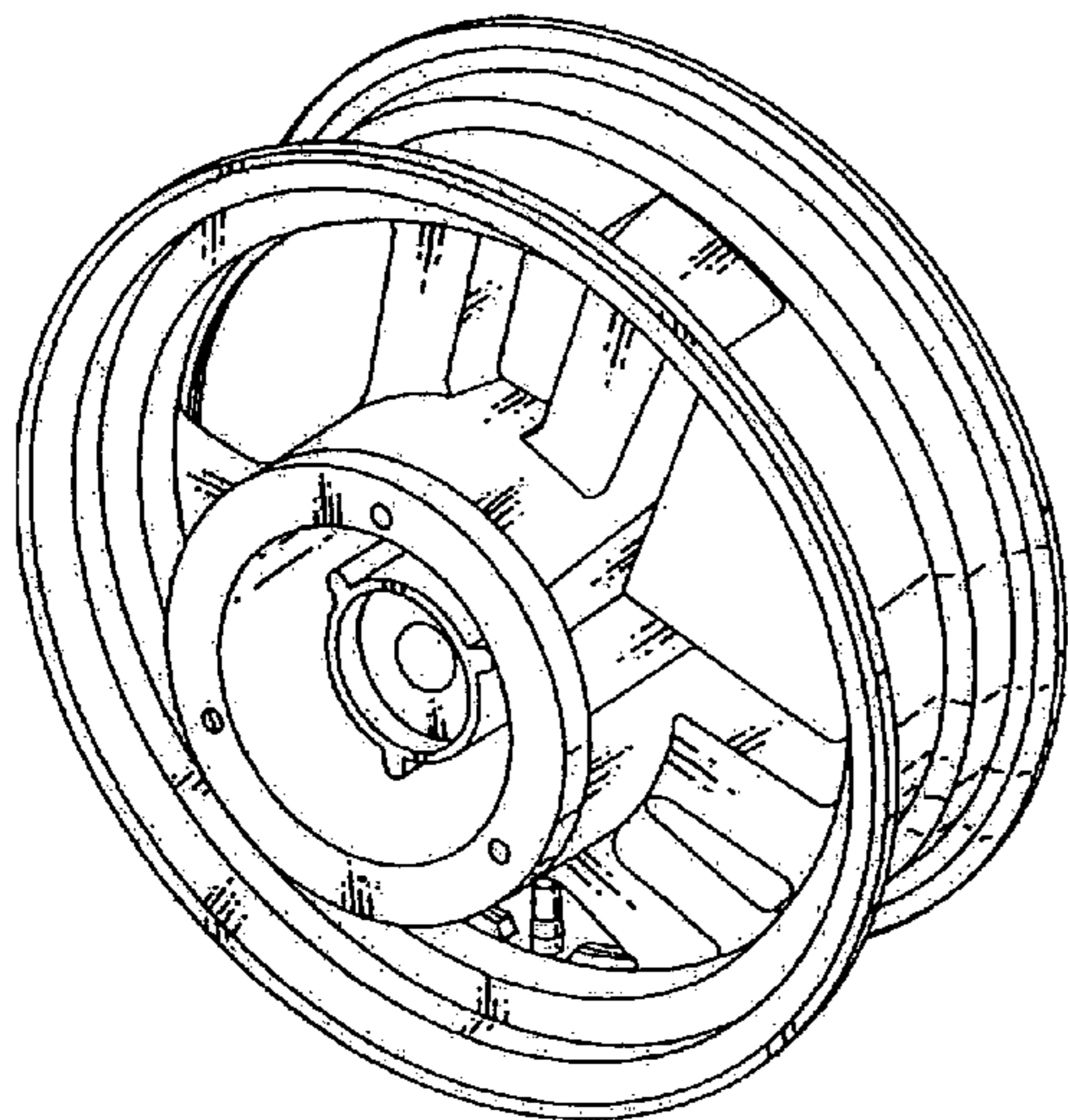
FIG. 5 is a front view thereof;

FIG. 6 is a rear view thereof;

FIG. 7 is a top view thereof; and,

FIG. 8 is a bottom view thereof.

1 Claim, 4 Drawing Sheets



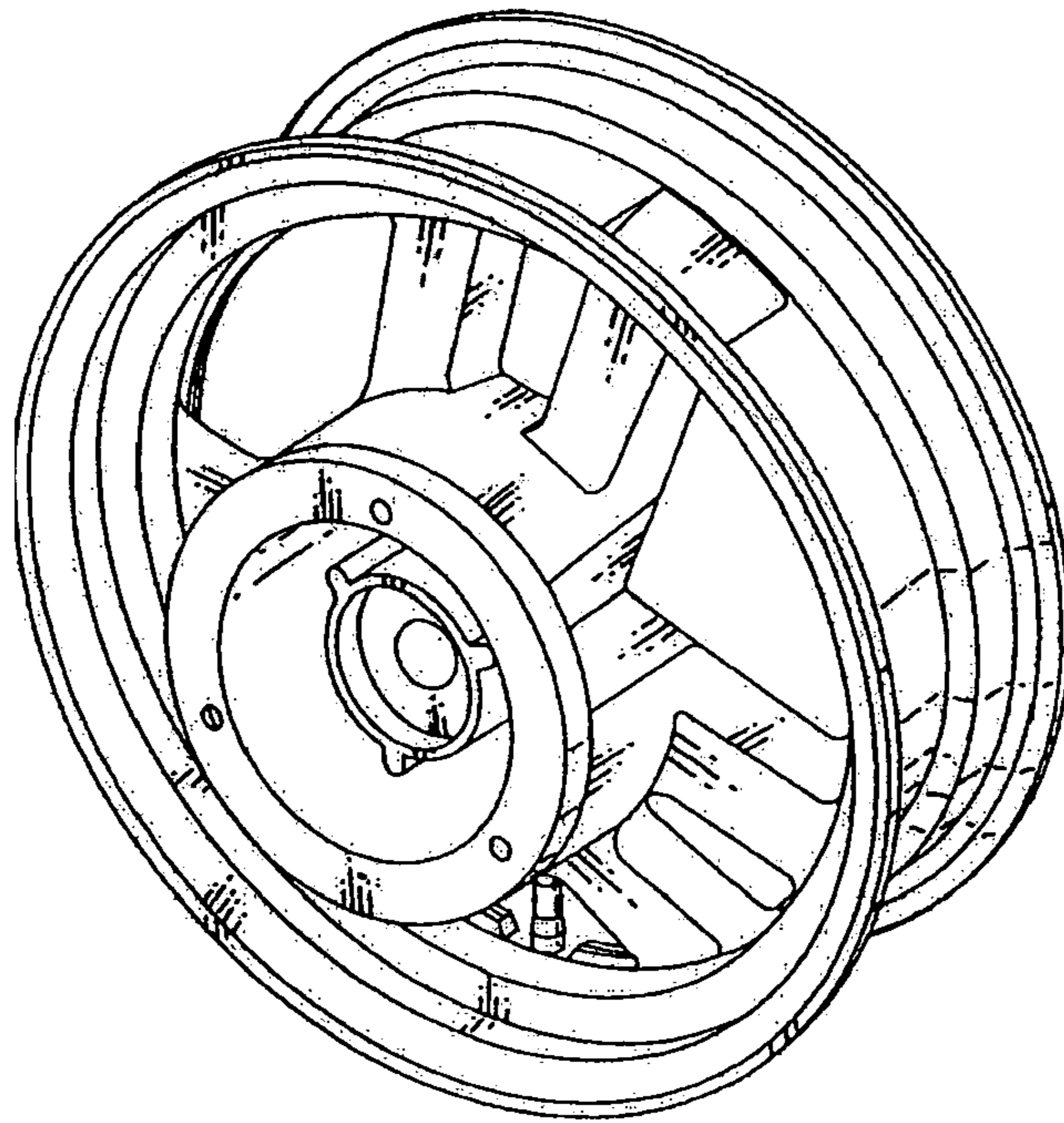


FIG. 1

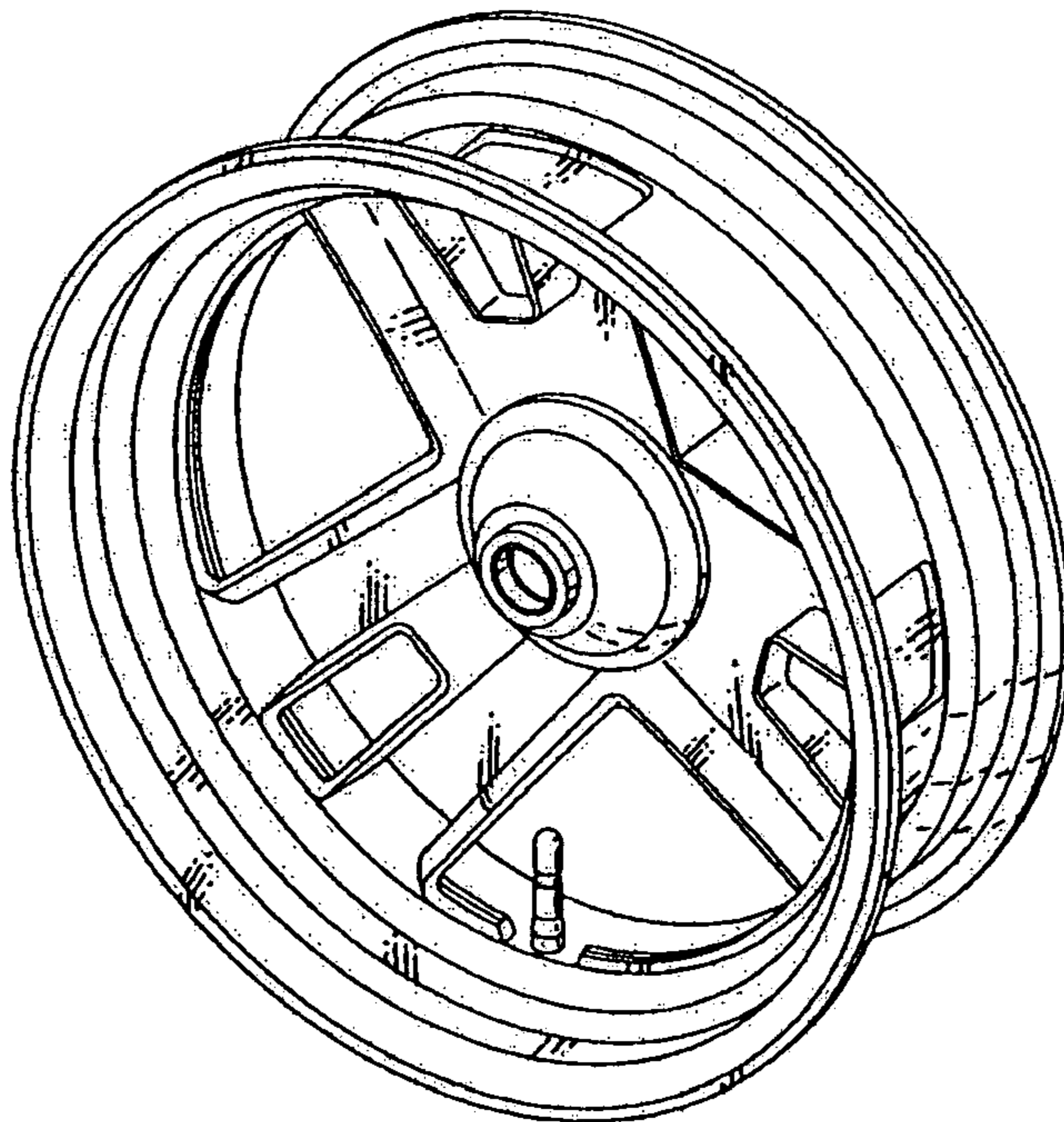


FIG. 2

FIG. 3

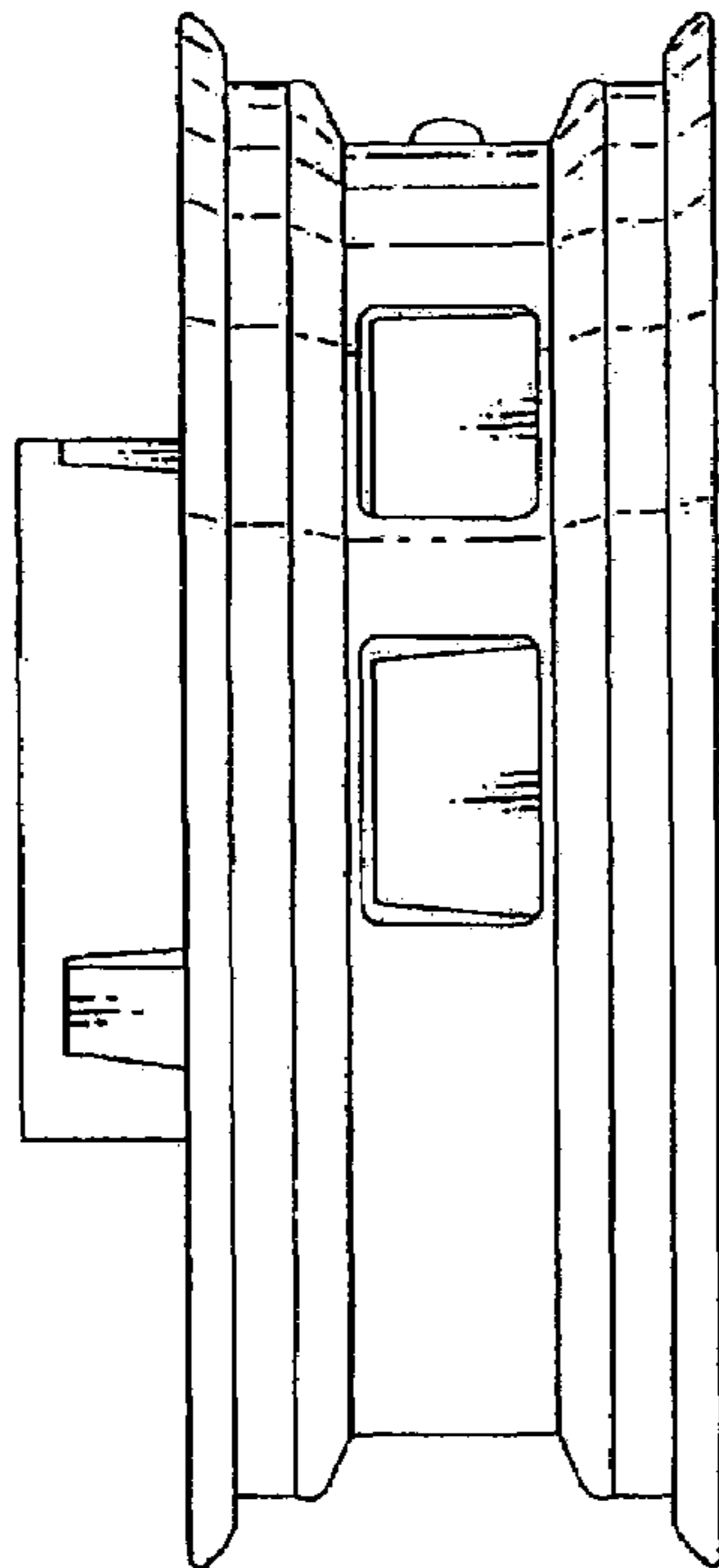
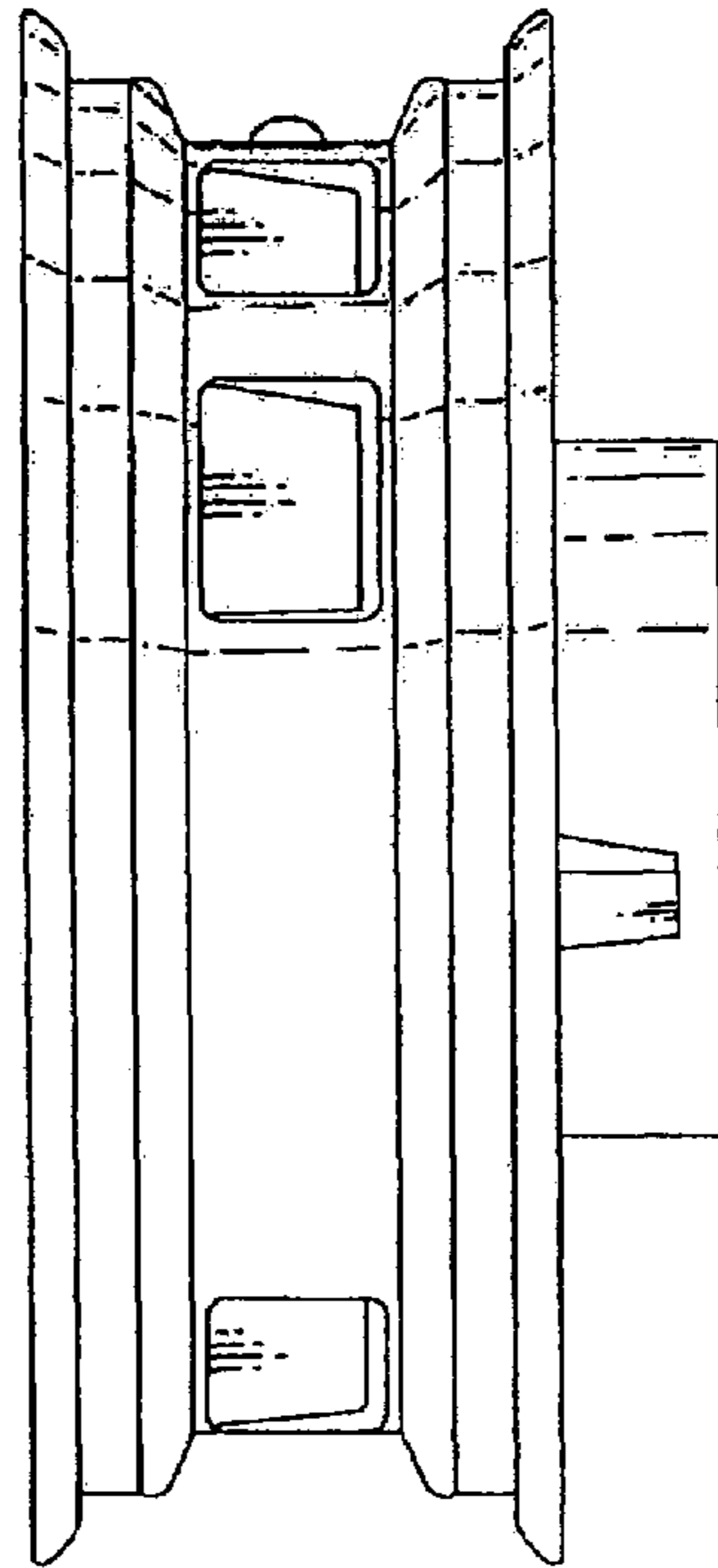


FIG. 4

FIG. 5

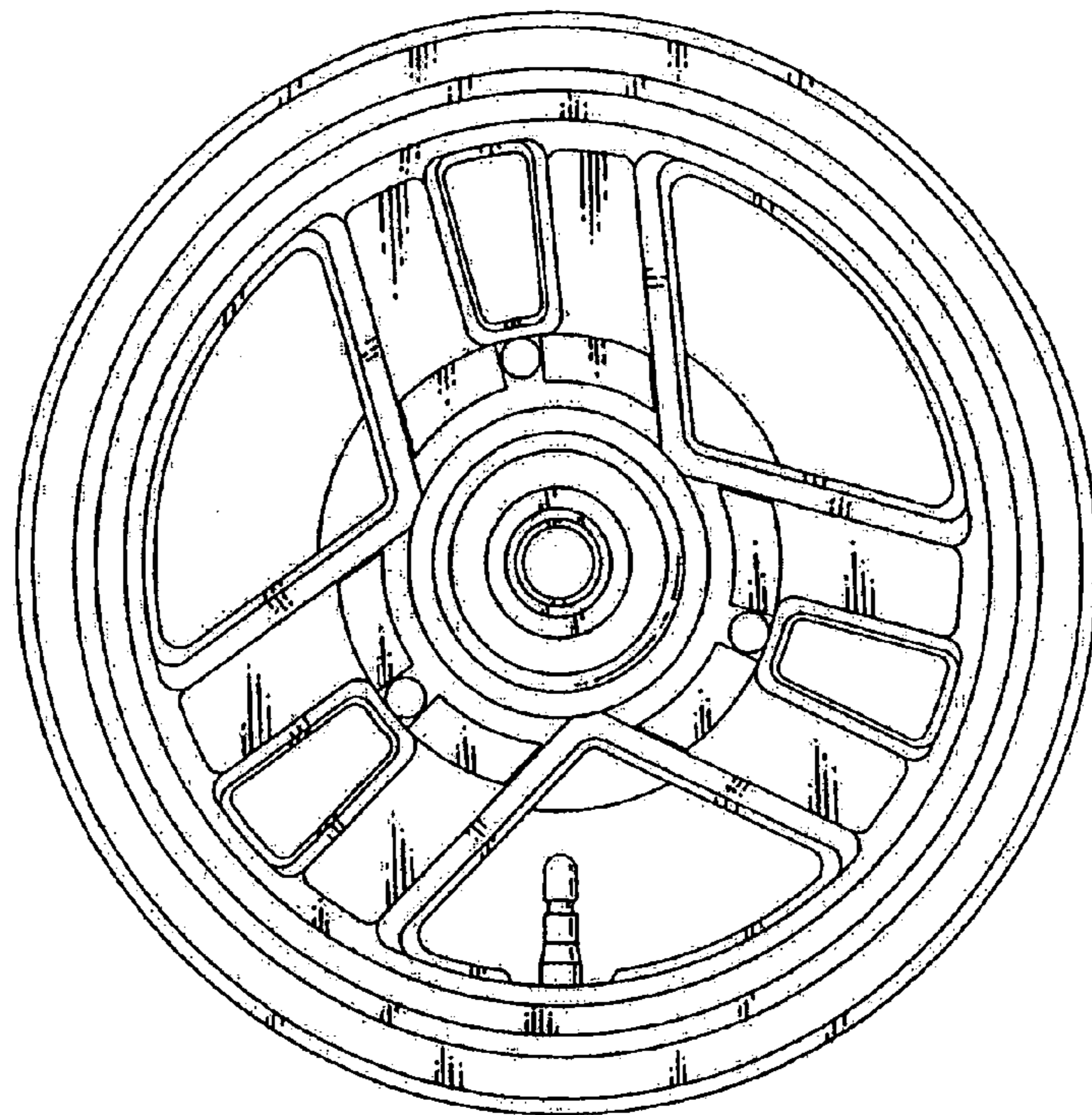
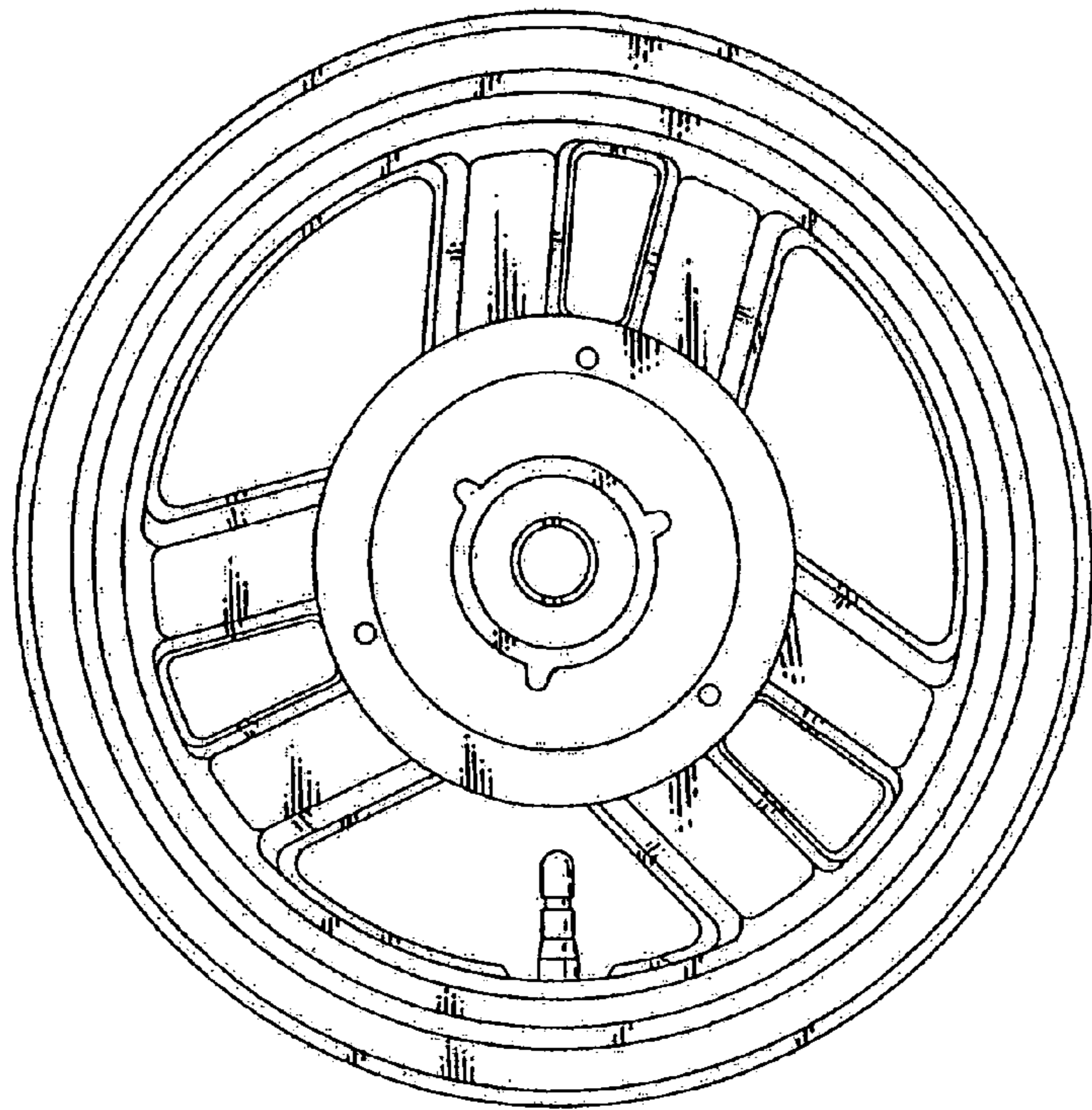


FIG. 6

FIG. 7

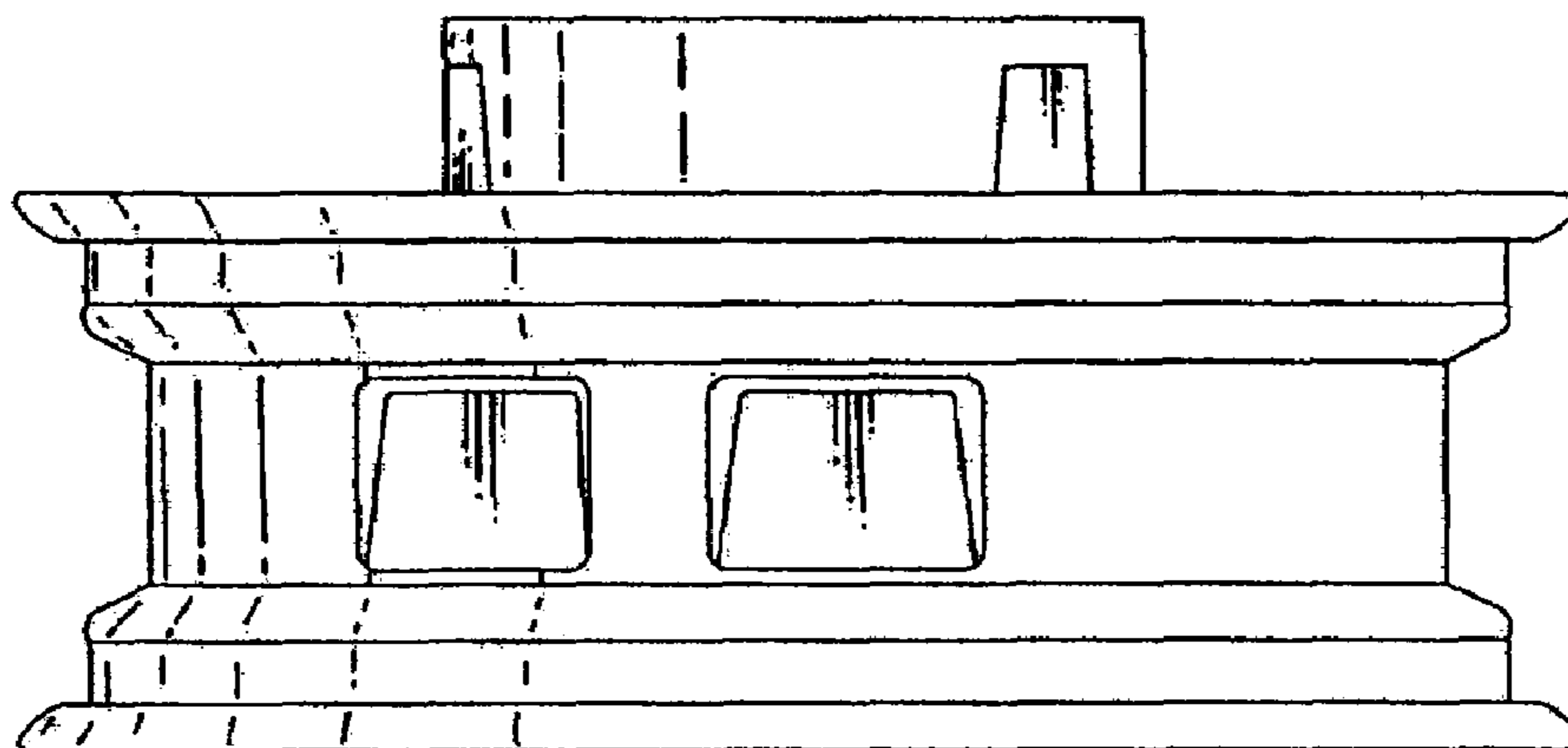
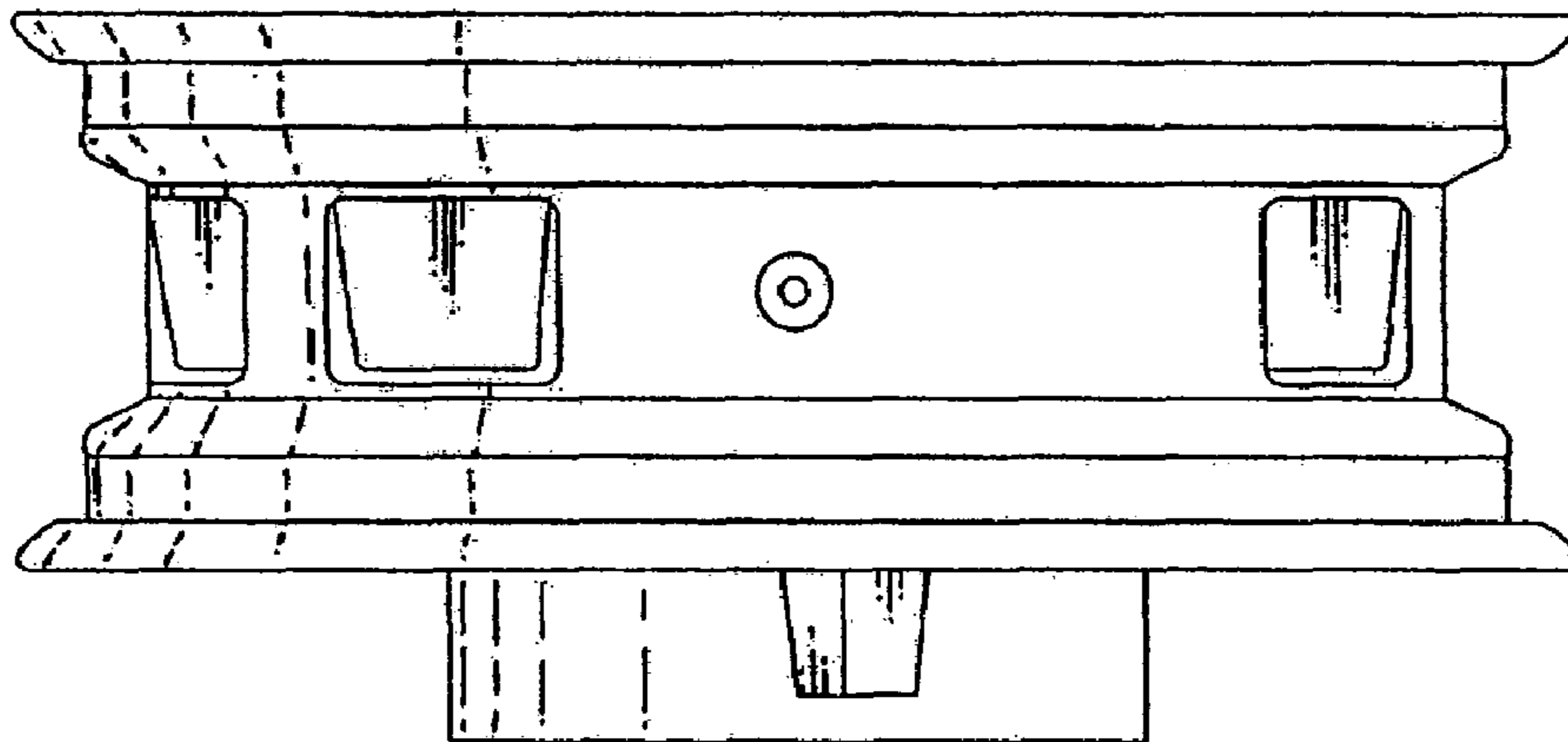


FIG. 8