



US00D559755S

(12) **United States Design Patent**
Ito et al.

(10) **Patent No.:** **US D559,755 S**
(45) **Date of Patent:** **** Jan. 15, 2008**

(54) **STEP FOR AN AUTOMOBILE**
(75) Inventors: **Takafumi Ito**, Aichi-ken (JP); **Shinya Fukuda**, Aichi-ken (JP)
(73) Assignee: **Toyota Jidosha Kabushiki Kaisha** (JP)
(**) Term: **14 Years**
(21) Appl. No.: **29/285,548**
(22) Filed: **Mar. 30, 2007**

(51) **LOC (8) Cl.** **12-16**
(52) **U.S. Cl.** **D12/203**
(58) **Field of Classification Search** D12/203,
D12/101, 106, 190; D25/62, 63, 69, 142;
238/14; 182/90-96; 280/416, 163-166,
280/414.1-414.3, 848; 296/162

See application file for complete search history.

(56) **References Cited**

U.S. PATENT DOCUMENTS

D53,736 S * 8/1919 Hayne D12/190
D330,536 S * 10/1992 Holloway et al. D12/203
D336,629 S * 6/1993 Hinrichs et al. D12/203
D349,678 S * 8/1994 Waddington et al. D12/203
D349,679 S * 8/1994 Waddington et al. D12/203
D351,128 S * 10/1994 Waddington et al. D12/203
D361,973 S * 9/1995 Hornik D12/203
D395,267 S * 6/1998 Thompson D12/203
D397,980 S * 9/1998 Thompson D12/203
D434,711 S * 12/2000 McQuiston D12/203

D436,336 S * 1/2001 Sadr D12/203
D473,178 S * 4/2003 Schumacher D12/203
D488,759 S * 4/2004 Hattori et al. D12/203
D496,898 S * 10/2004 Metros et al. D12/203
D514,492 S * 2/2006 Metros et al. D12/203
D535,928 S * 1/2007 Crandall D12/203

OTHER PUBLICATIONS

Toyota, Lexus GX, Brochure for Lexus GX, 2003, Toyota Jidosha Kabushiki Kaisha.

Toyota, Land Cruiser Cygnus, Brochure for Toyota Land Cruiser Cygnus, Apr. 2005, Toyota Jidosha Kabushiki Kaisha.

* cited by examiner

Primary Examiner—Stacia Cadmus

(74) *Attorney, Agent, or Firm*—SAIDMAN DesignLaw Group

(57) **CLAIM**

The ornamental design for a step for an automobile, as shown and described.

DESCRIPTION

FIG. 1 is a rear perspective view of a step for an automobile showing our new design;

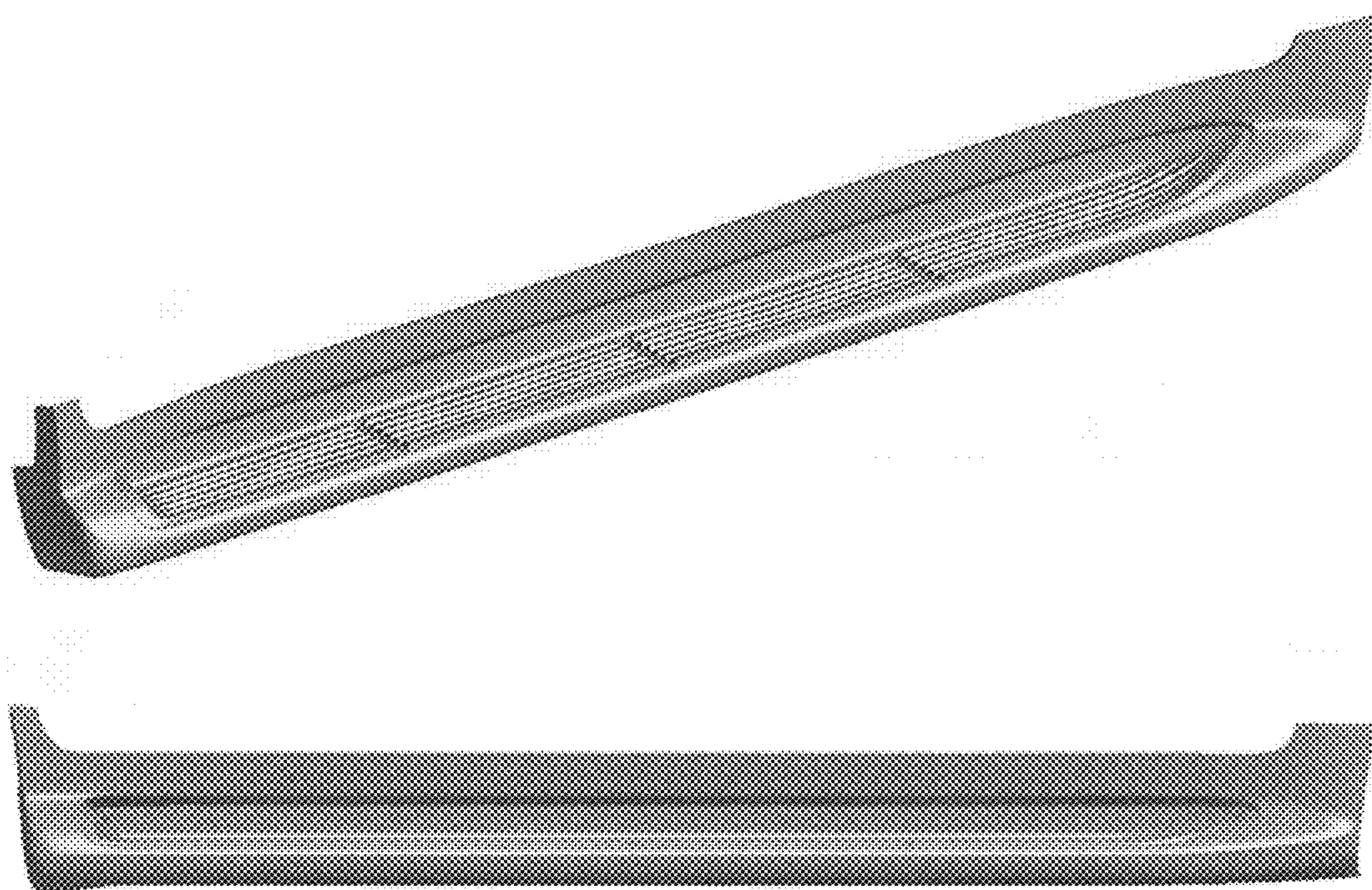
FIG. 2 is a front view thereof;

FIG. 3 is a top view thereof;

FIG. 4 is a bottom view thereof; and,

FIG. 5 is a left-side view thereof.

1 Claim, 2 Drawing Sheets



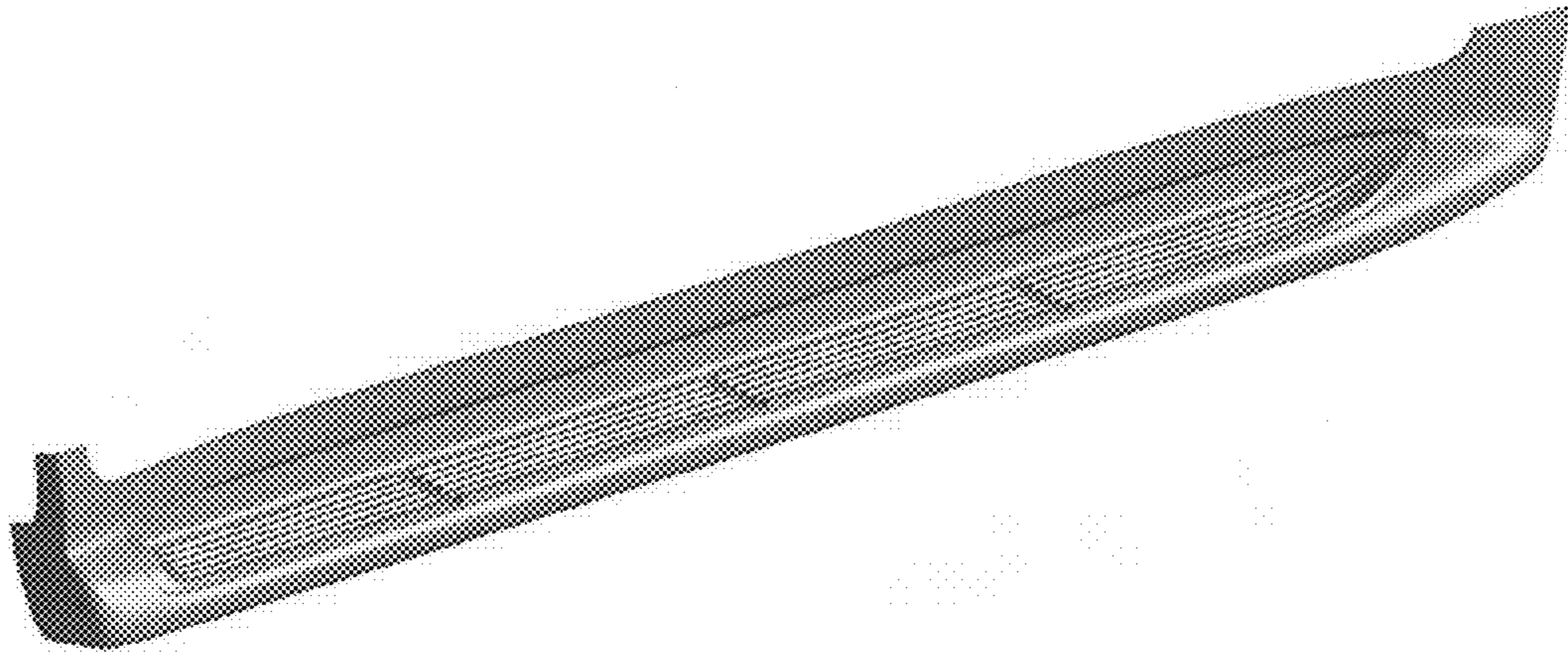


FIG. 1



FIG. 2

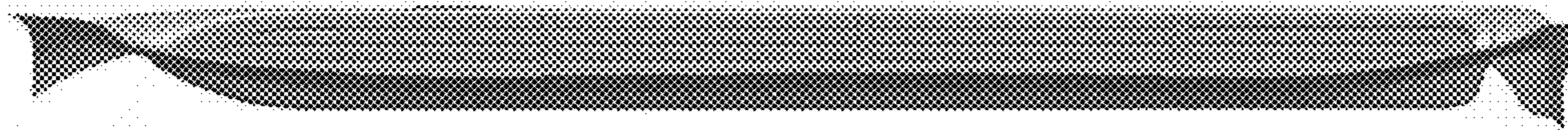


FIG. 3

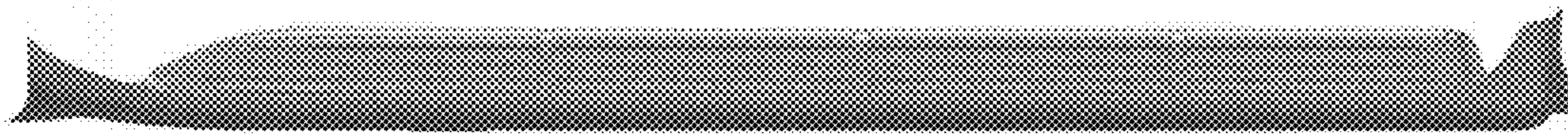


FIG. 4

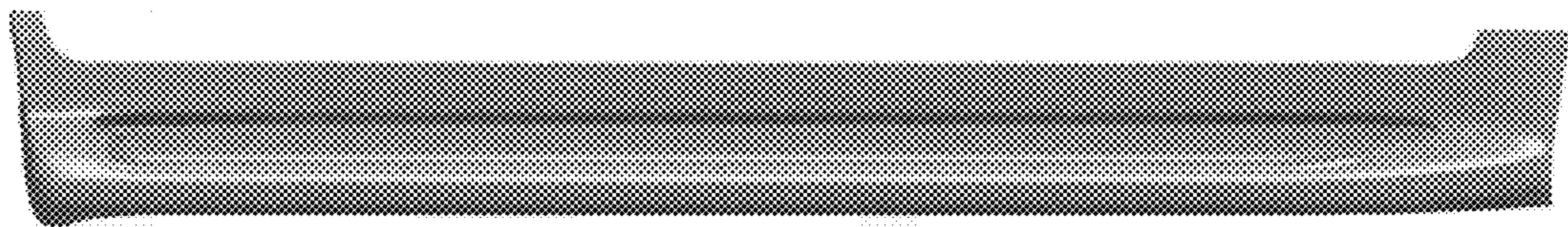


FIG. 5