

US00D559750S

(12) **United States Design Patent**
Kulla

(10) **Patent No.:** **US D559,750 S**
(45) **Date of Patent:** **** Jan. 15, 2008**

(54) **REAR SPOILER FOR A VEHICLE**

(75) Inventor: **Matthias Kulla**, Leonberg (DE)

(73) Assignee: **Dr. Ing. h.c.F. Porsche**
Aktiengesellschaft, Stuttgart (DE)

(**) Term: **14 Years**

(21) Appl. No.: **29/274,776**

(22) Filed: **May 23, 2007**

Related U.S. Application Data

(62) Division of application No. 29/222,963, filed on Feb. 8, 2005.

(30) **Foreign Application Priority Data**

Aug. 9, 2004 (EM) 000212485
Aug. 9, 2004 (EM) 000212501
Aug. 9, 2004 (EM) 000212527

(51) **LOC (8) Cl.** **12-08**

(52) **U.S. Cl.** **D12/181**

(58) **Field of Classification Search** D12/181,
D12/191, 196, 400, 190, 88; 280/727, 770,
280/848; 296/180.1-180.5, 91; 180/903
See application file for complete search history.

(56) **References Cited**

U.S. PATENT DOCUMENTS

D377,331 S * 1/1997 Murkett D12/181
D409,963 S * 5/1999 Mobius et al. D12/181
D435,817 S * 1/2001 Lai D12/181
D441,331 S * 5/2001 Hatter D12/181
D467,843 S * 12/2002 Hatter D12/181

D473,831 S * 4/2003 Saleen D12/181
D487,040 S * 2/2004 Iwata D12/181
D491,121 S * 6/2004 Yokomaku D12/181
D516,478 S * 3/2006 Kulla D12/181
D519,892 S * 5/2006 Kulla D12/181
D526,256 S * 8/2006 Lai D12/181
D531,945 S * 11/2006 Saracoglu et al. D12/181
D535,598 S * 1/2007 Murkett D12/181

* cited by examiner

Primary Examiner—Stacia Cadmus

(74) *Attorney, Agent, or Firm*—Crowell & Moring LLP

(57) **CLAIM**

The ornamental design for a rear spoiler for a vehicle, as shown and described.

DESCRIPTION

This application is related to the following applications of the inventor:

Application Ser. No. 29/222,971, entitled “Surface Configuration of a Front Bumper For a Vehicle,” now U.S. Pat. No. D517,962; and

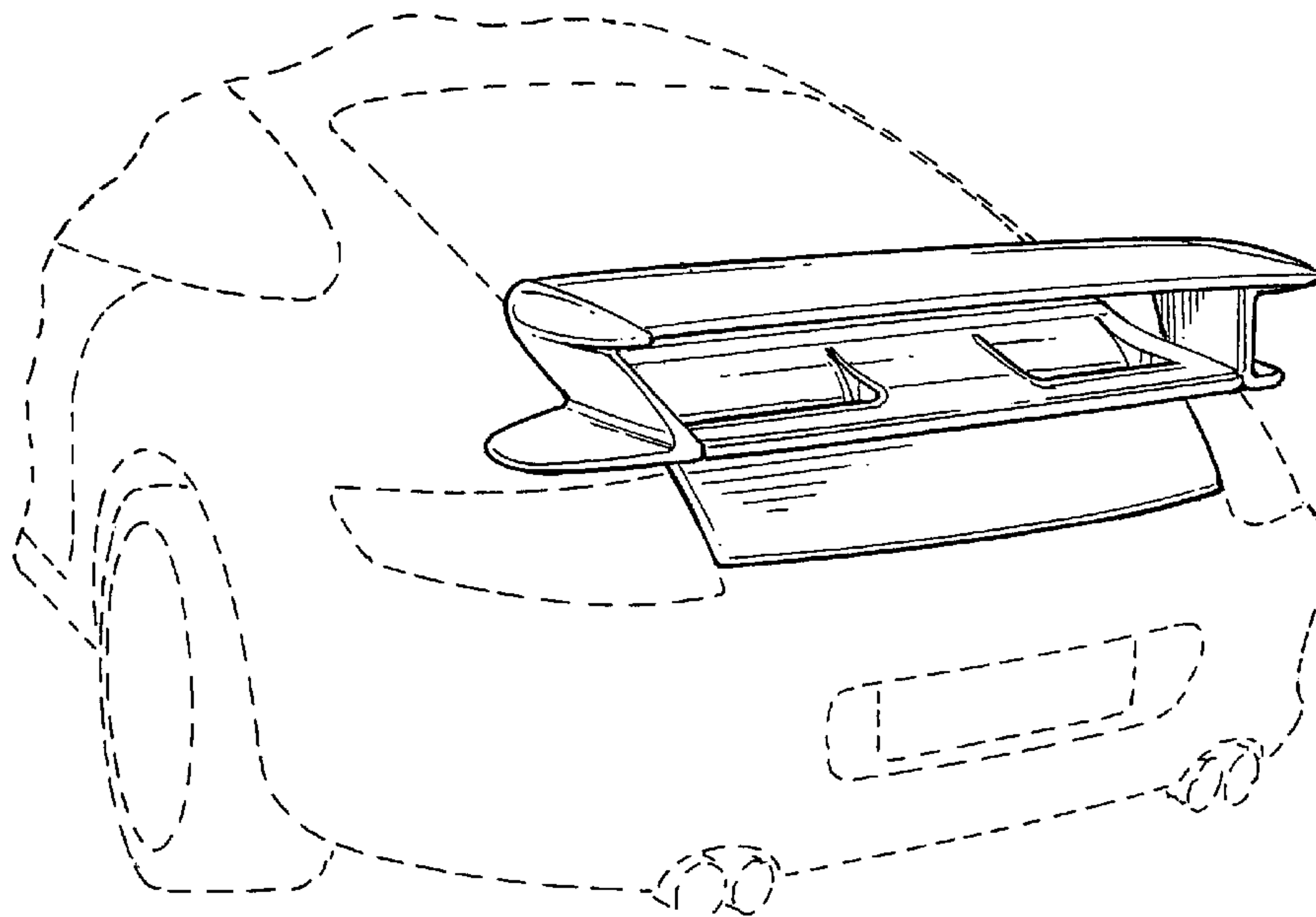
Application Ser. No. 29/222,968, entitled “Surface Configuration For a Vehicle Spoiler,” now U.S. Pat. No. D516,478.

FIG. 1 is a left perspective view of a rear spoiler for a vehicle according to my novel design, the right perspective view being mirror symmetrical; and,

FIG. 2 is a left side view thereof, the right side view being mirror symmetrical.

The broken lines are for illustrative purposes only and form no part of the claimed design.

1 Claim, 1 Drawing Sheet



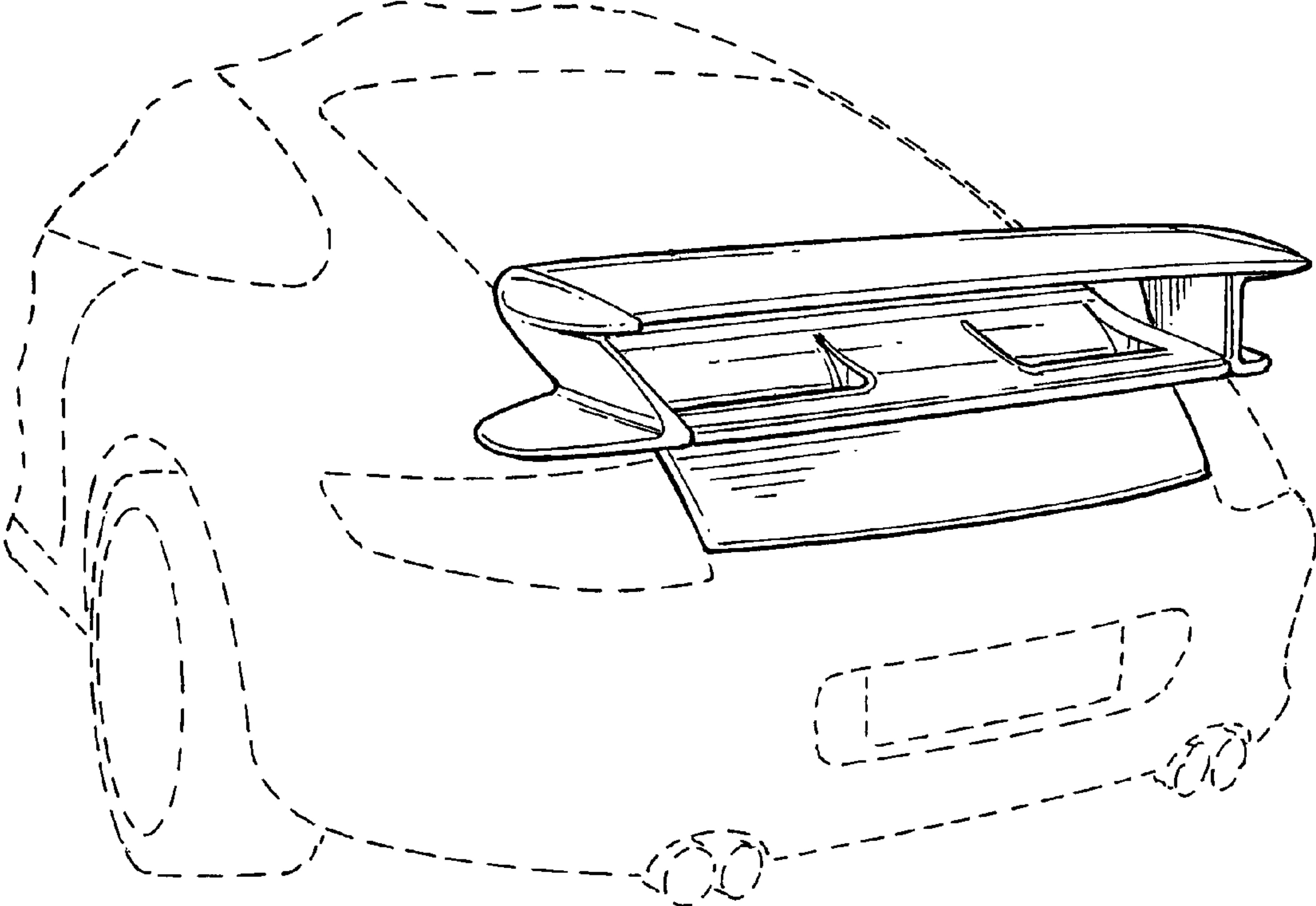


FIG. 1

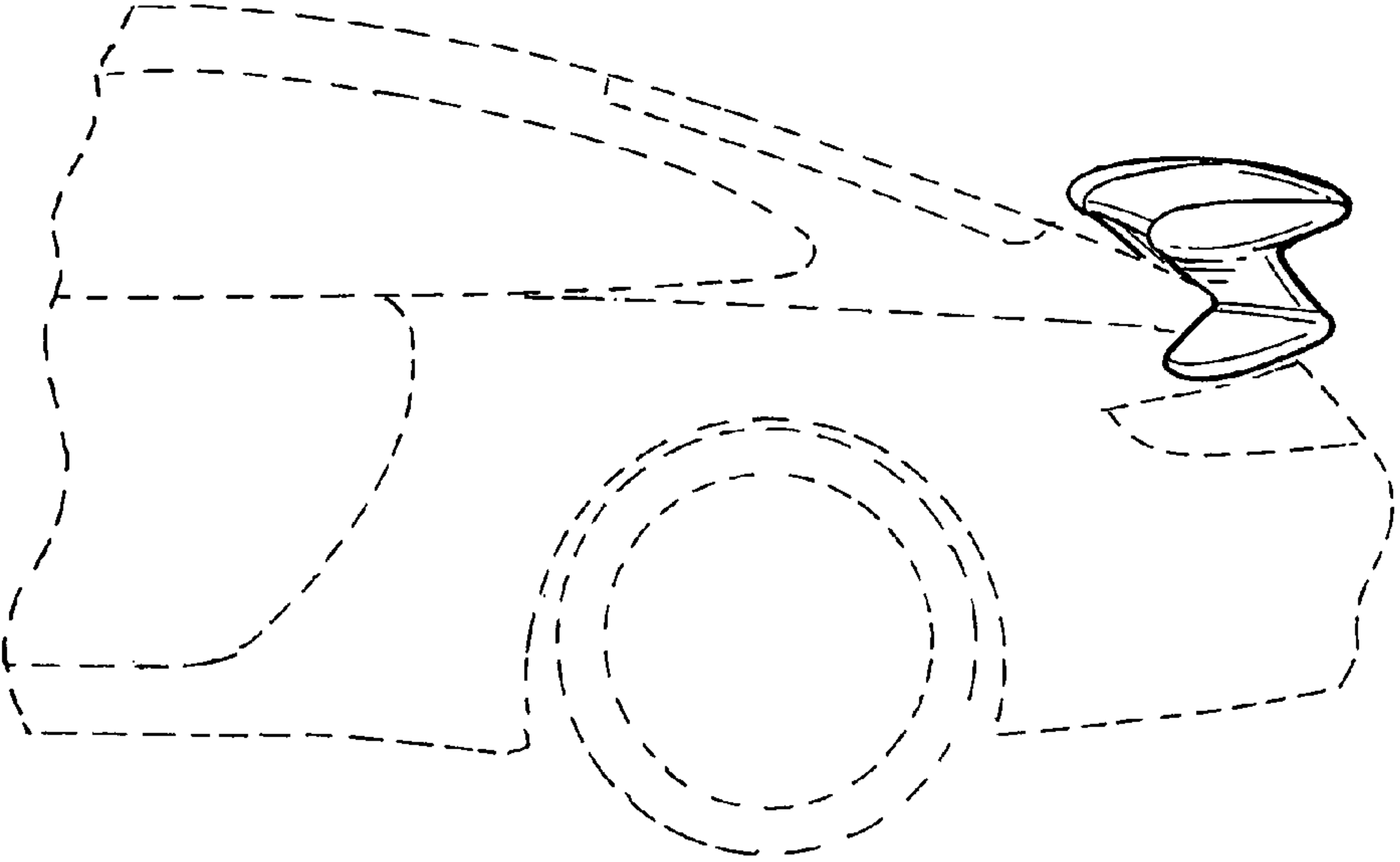


FIG. 2