



US00D559747S

(12) **United States Design Patent**  
**Platto et al.**

(10) **Patent No.:** **US D559,747 S**  
(45) **Date of Patent:** **\*\* Jan. 15, 2008**

(54) **VEHICLE HOOD**

D484,444 S \* 12/2003 Hokao ..... D12/173  
D502,128 S \* 2/2005 Chiang ..... D12/173  
D533,119 S 12/2006 Schiavone et al.

(75) Inventors: **Gordon Platto**, Troy, MI (US); **David Mahoney**, Orchard Lake, MI (US); **Xitij Mistry**, Ann Arbor, MI (US); **Patrick Schiavone**, Bloomfield Village, MI (US); **Peter Horbury**, Bloomfield Hills, MI (US)

\* cited by examiner

*Primary Examiner*—Melody N. Brown  
(74) *Attorney, Agent, or Firm*—Frank A. MacKenzie; Brooks Kushman P.C.

(73) Assignee: **Ford Global Technologies, LLC**, Dearborn, MI (US)

(57) **CLAIM**

(\*\*) Term: **14 Years**

The ornamental design for a vehicle hood, as shown and described.

(21) Appl. No.: **29/275,768**

**DESCRIPTION**

(22) Filed: **Jan. 5, 2007**

FIG. 1 is a front perspective view of a vehicle hood in accordance with the present invention;

(51) **LOC (8) Cl.** ..... **12-16**

(52) **U.S. Cl.** ..... **D12/173**

(58) **Field of Classification Search** ..... D12/90–92,  
D12/173, 196, 86; 180/69.21, 69.2, 69.22;  
296/24.4

FIG. 2 is a front/top perspective view of the vehicle hood of FIG. 1;

FIG. 3 is a left side perspective view of the vehicle hood of FIG. 1; and,

See application file for complete search history.

FIG. 4 is a front/right perspective view of the vehicle hood of FIG. 1.

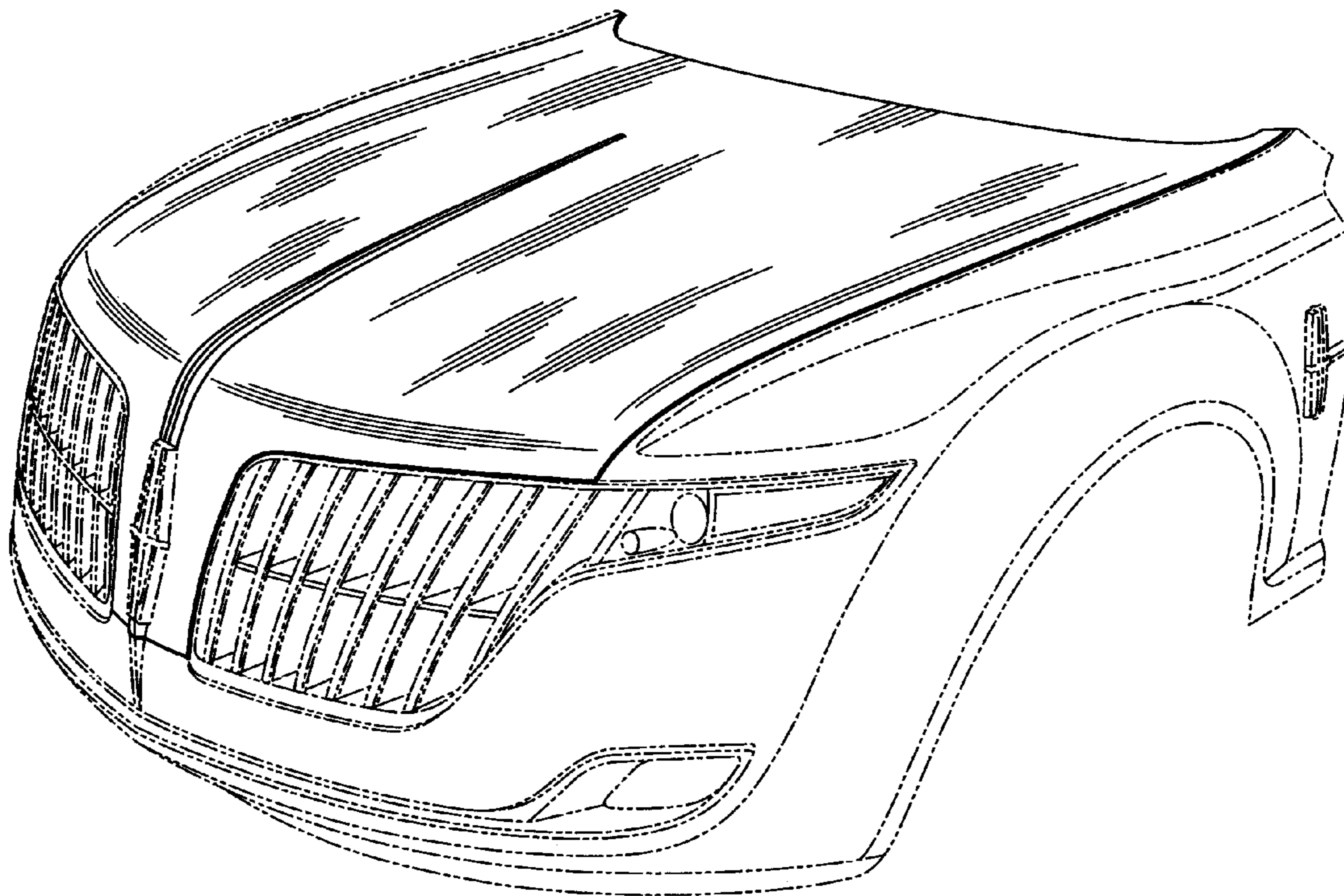
The broken lines are for illustrative purposes only and form no part of the claimed design.

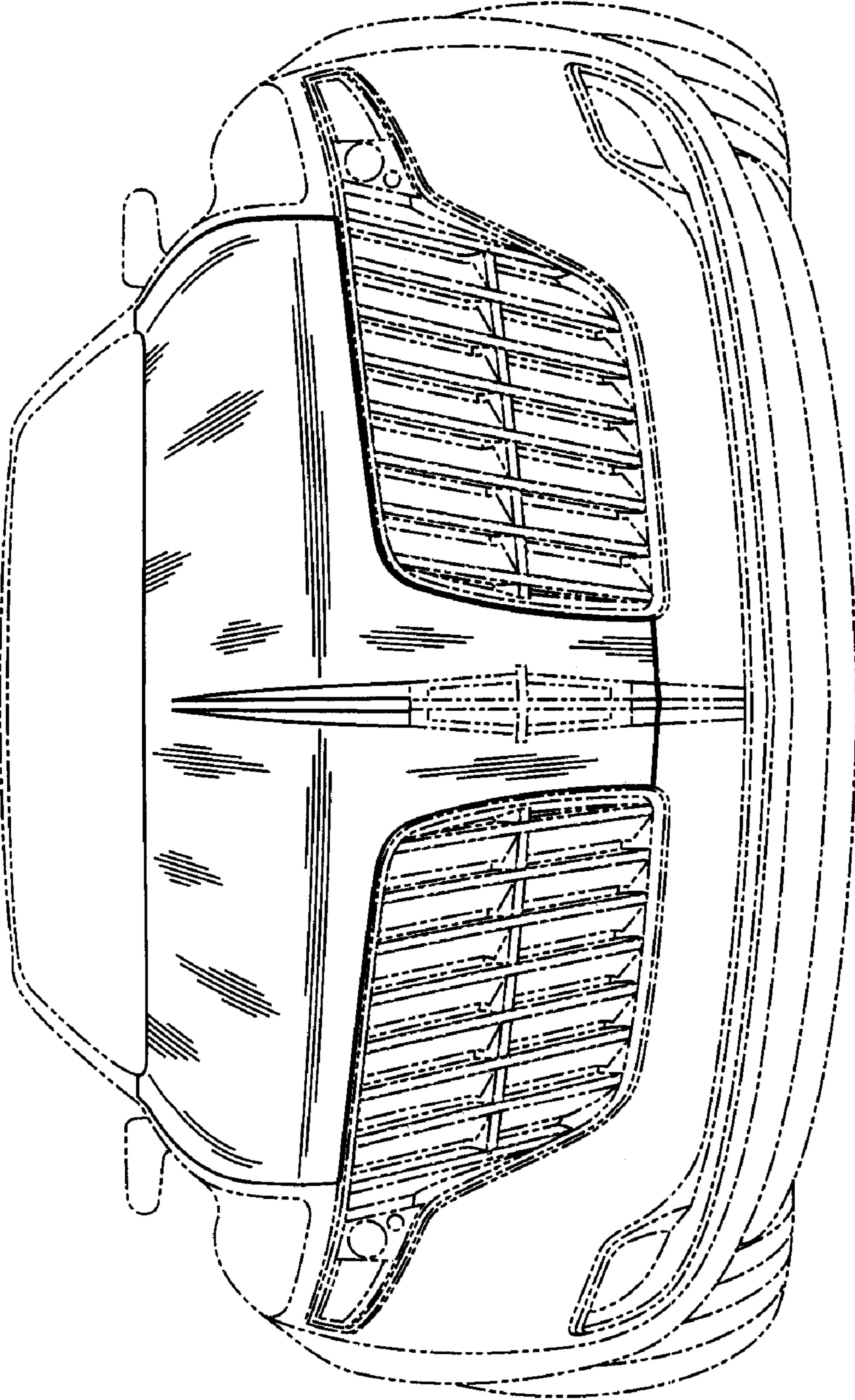
(56) **References Cited**

**U.S. PATENT DOCUMENTS**

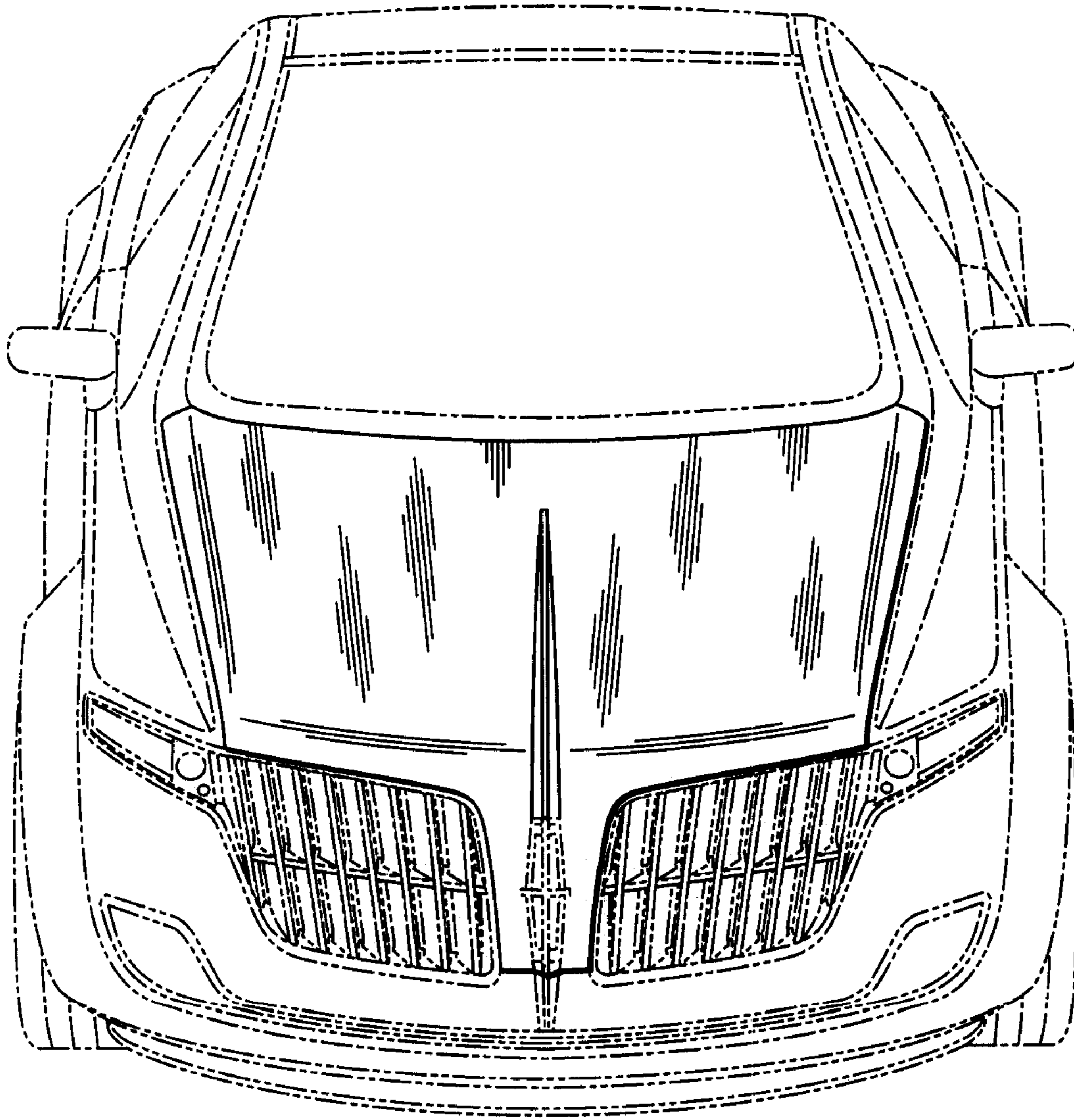
D422,252 S \* 4/2000 Sacco et al. .... D12/173  
D460,725 S \* 7/2002 Newton ..... D12/173

**1 Claim, 4 Drawing Sheets**



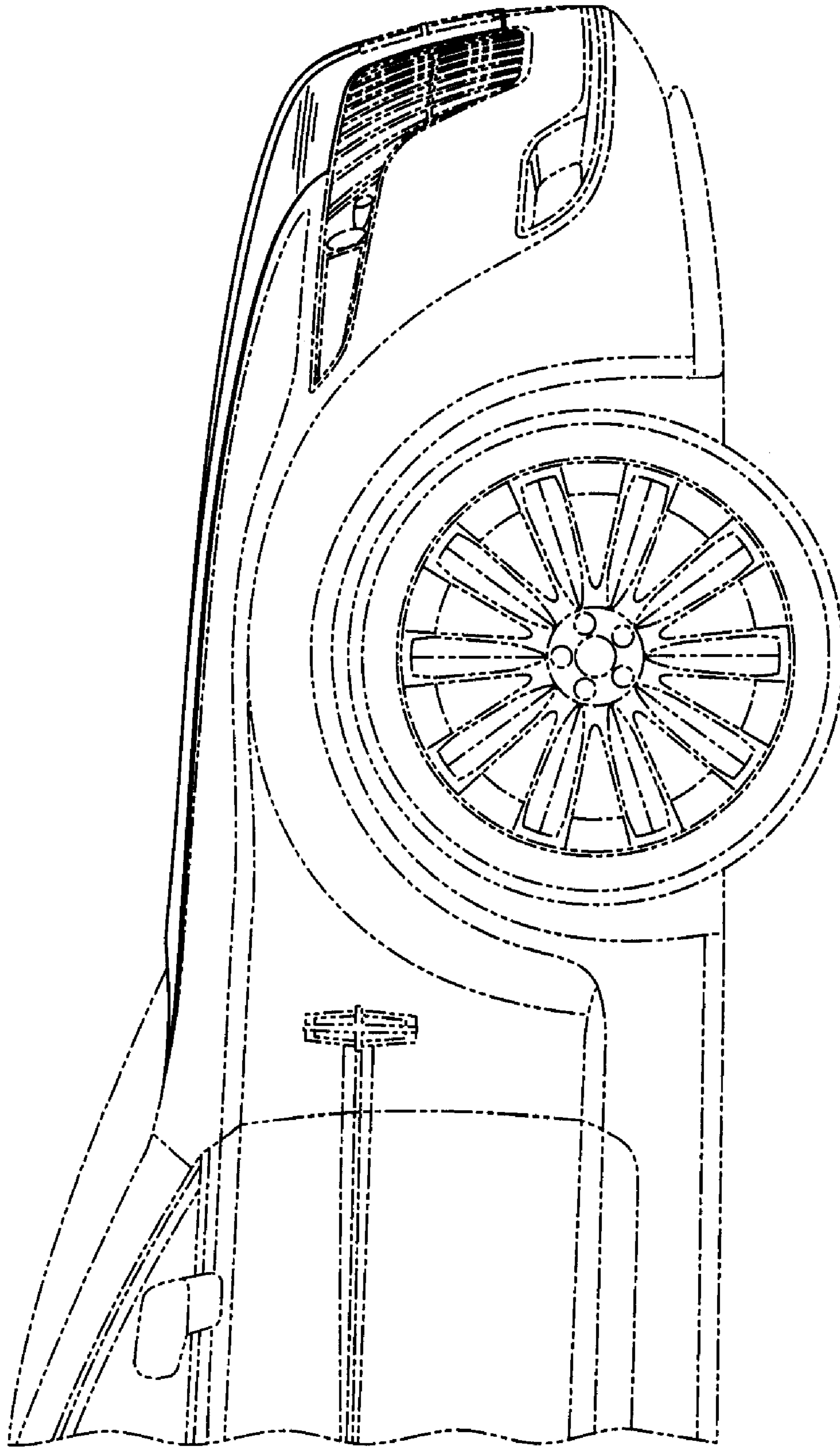


*Fig. 1*

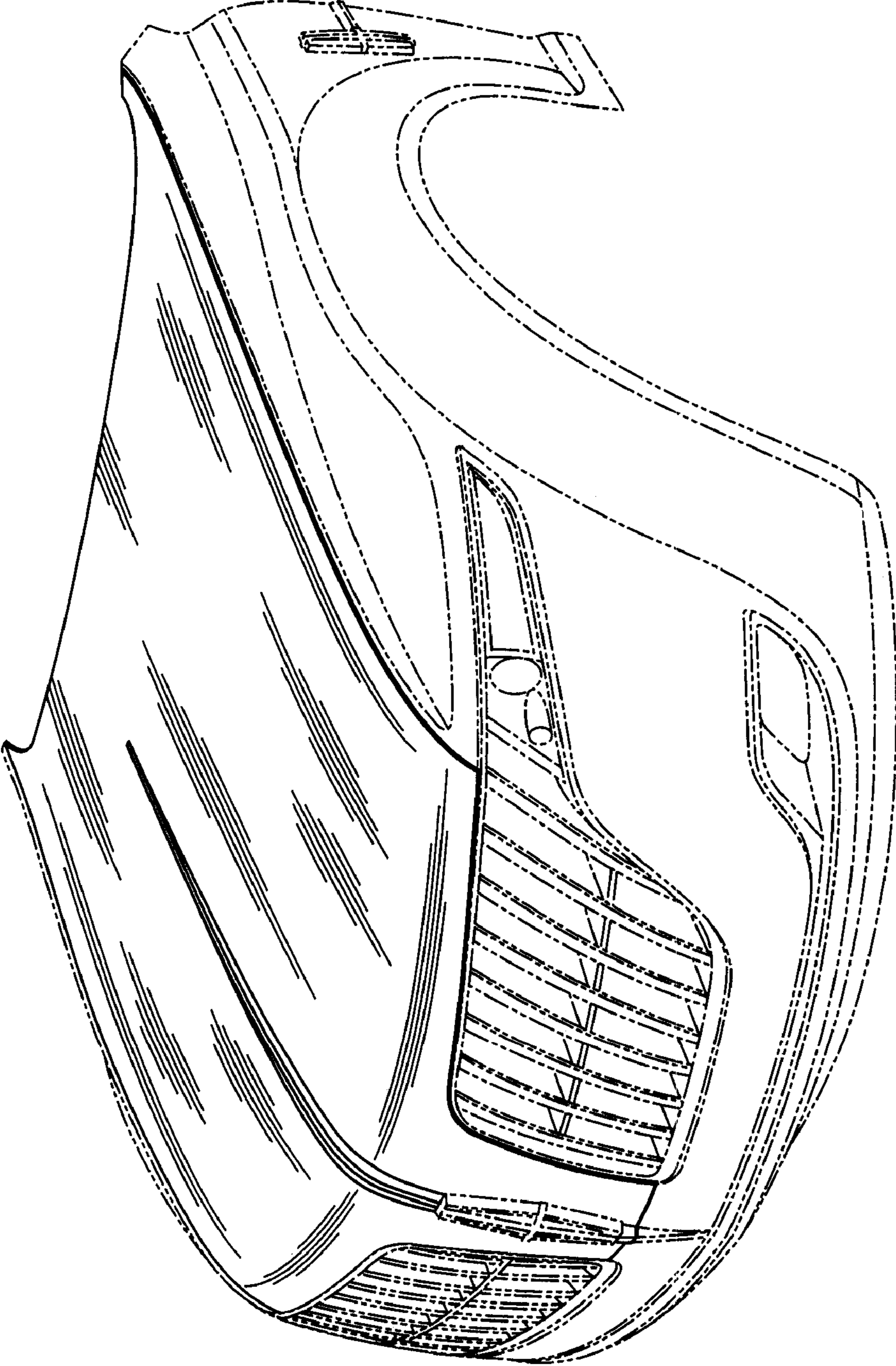


*Fig. 2*





*Fig. 3*



*Fig. 4*