



US00D559743S

(12) **United States Design Patent**
Nakamuta et al.

(10) **Patent No.:** **US D559,743 S**
(45) **Date of Patent:** **** Jan. 15, 2008**

(54) **BUMPER OF MOTOR VEHICLE**

(75) Inventors: **Yasushi Nakamuta**, Hiroshima (JP);
Yoshikazu Miyachi, Hiroshima (JP);
Masanori Minamisawa, Hiroshima
(JP); **Ryousuke Nozaki**, Hiroshima (JP)

(73) Assignee: **Mazda Motor Corporation**, Hiroshima
(JP)

(**) Term: **14 Years**

(21) Appl. No.: **29/222,199**

(22) Filed: **Jan. 27, 2005**

(51) **LOC (8) Cl.** **12-16**

(52) **U.S. Cl.** **D12/169**

(58) **Field of Classification Search** D12/90-92,
D12/86, 169, 196, 163; 296/180.1, 180.2;
293/102, 113, 115, 117, 120
See application file for complete search history.

(56) **References Cited**

U.S. PATENT DOCUMENTS

D475,663 S *	6/2003	Chiang	D12/169
D475,664 S *	6/2003	Chiang	D12/169
D478,027 S *	8/2003	Chiang	D12/169
D478,028 S *	8/2003	Chiang	D12/169

FOREIGN PATENT DOCUMENTS

JP 790594 6/1990

OTHER PUBLICATIONS

Jan. 20, 2005 printout of Photo Library of the Mazda's website at
http://www.media.mazda/photolibrary/index_j.html2005/01/20.

* cited by examiner

Primary Examiner—Melody N. Brown

(74) *Attorney, Agent, or Firm*—Nixon Peabody LLP;
Donald R. Studebaker

(57) **CLAIM**

The ornamental design for a bumper of motor vehicle, as
shown and described.

DESCRIPTION

FIG. 1 is a front perspective view of a bumper of motor
vehicle;

FIG. 2 is a front view thereof;

FIG. 3 is a rear view thereof

FIG. 4 is a left side view thereof, the opposite side being a
mirror image of the side shown herein;

FIG. 5 is a top view thereof; and,

FIG. 6 is a bottom view thereof.

1 Claim, 4 Drawing Sheets

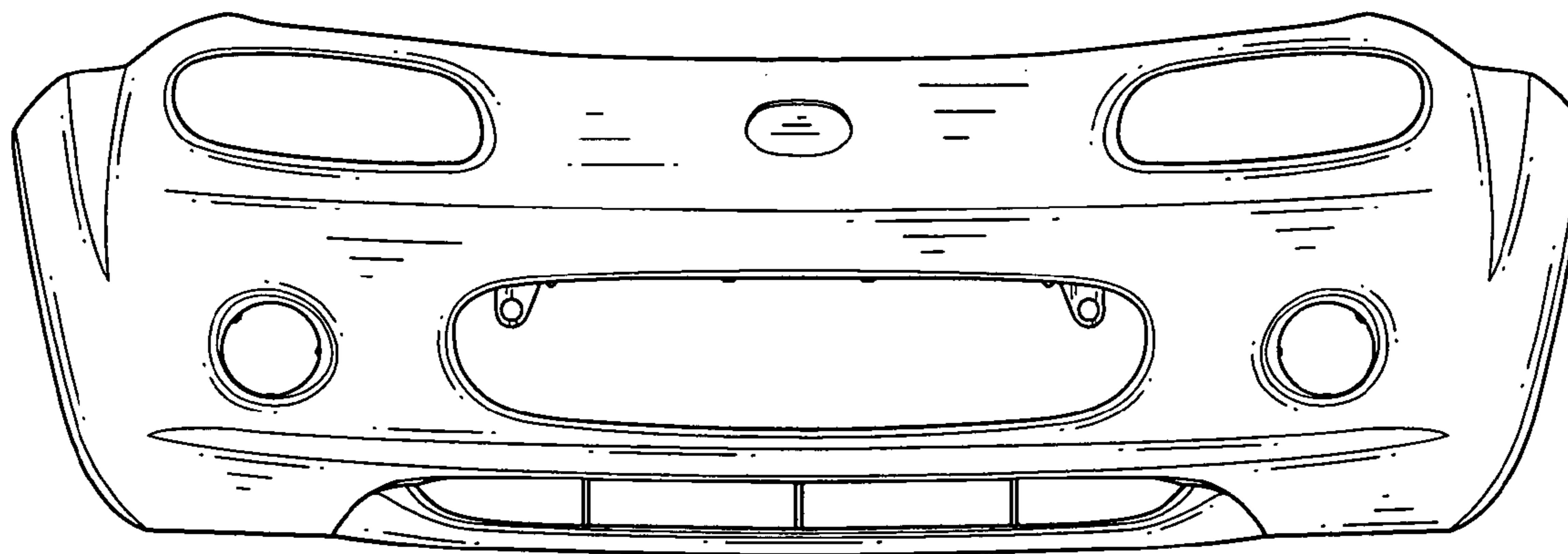


Fig.1

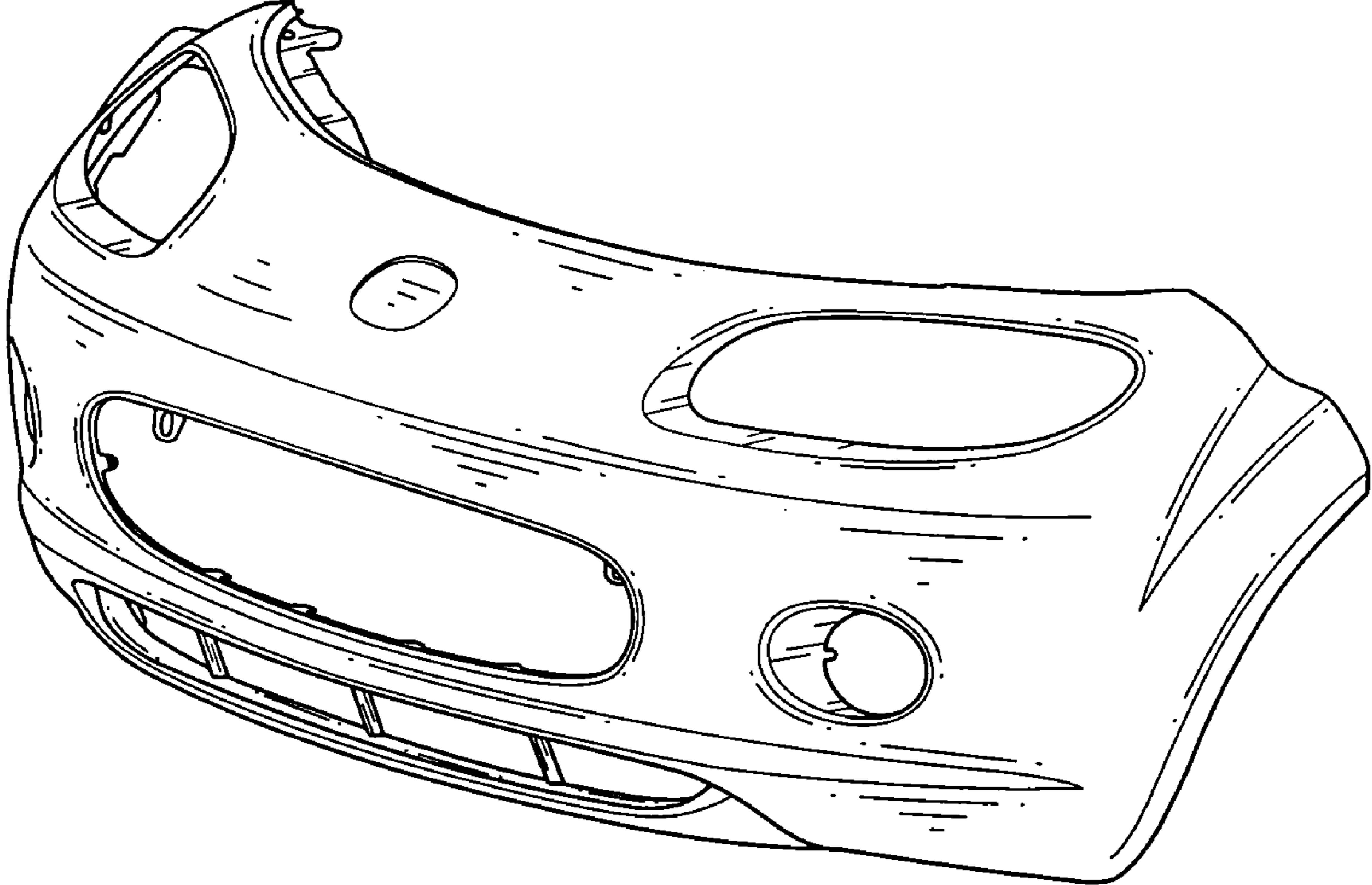


Fig.2

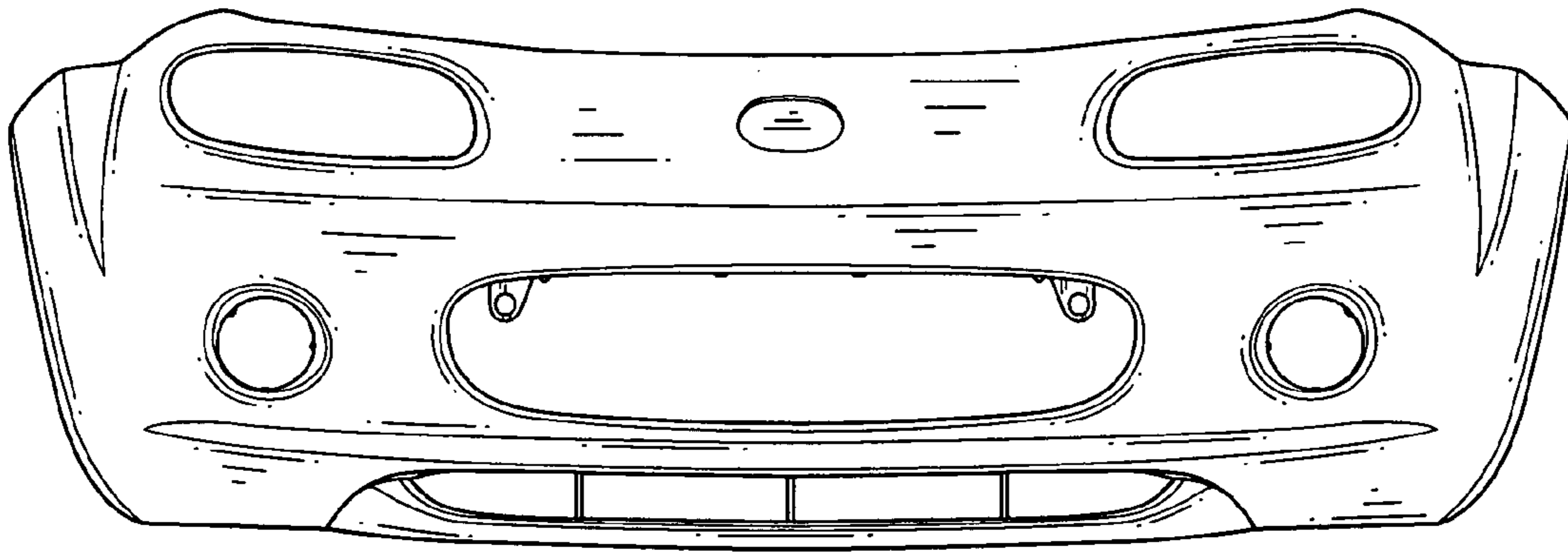


Fig.3

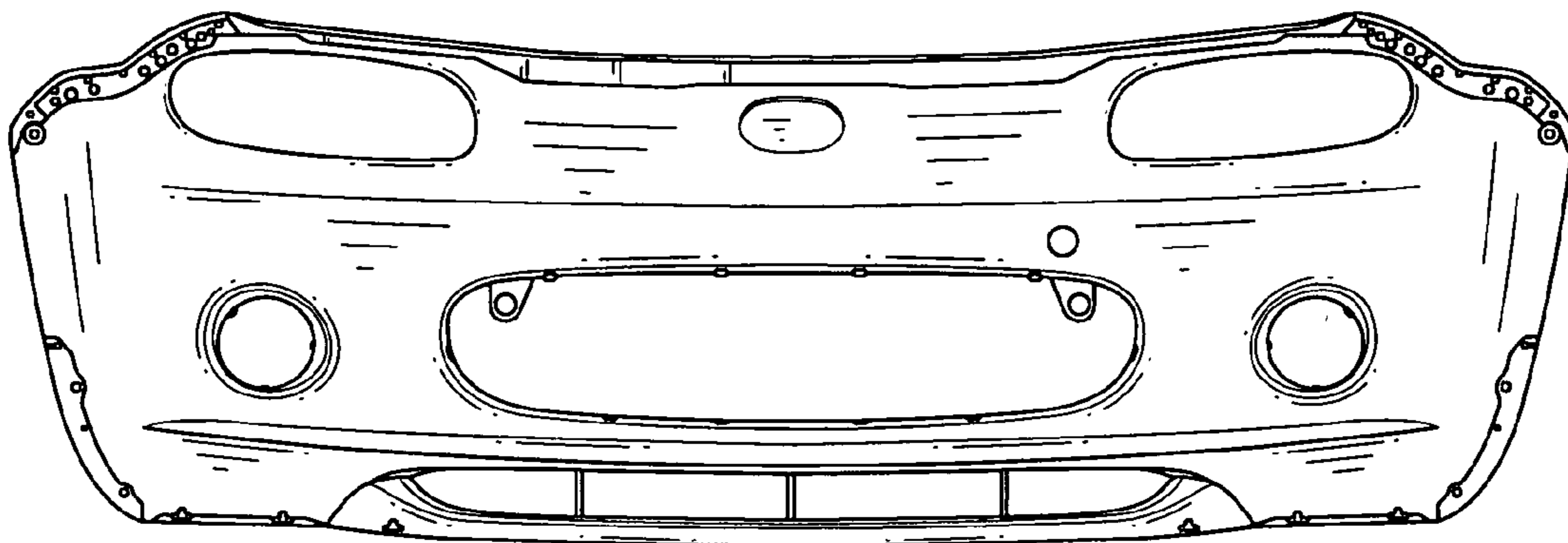


Fig.4

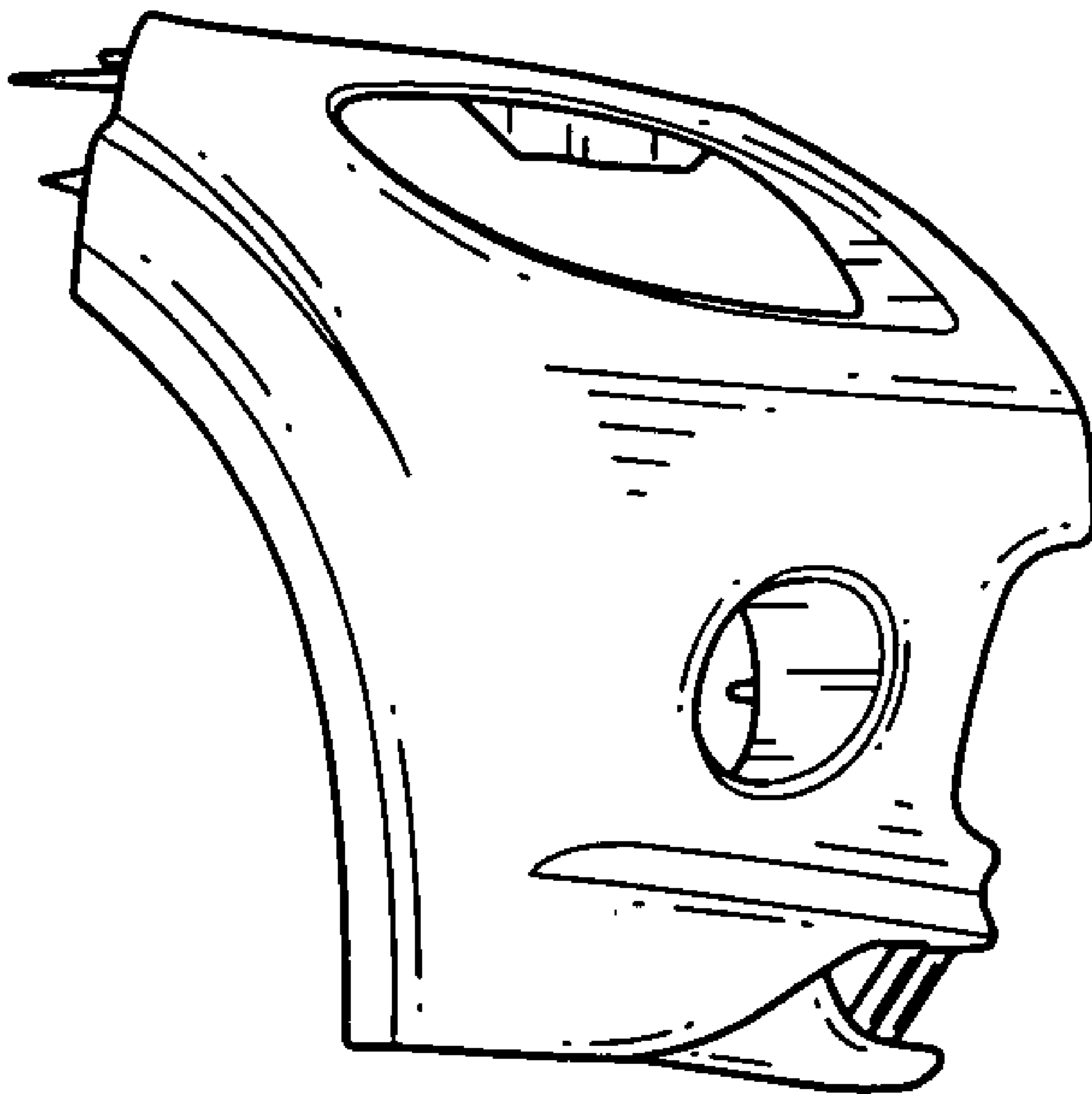


Fig.5

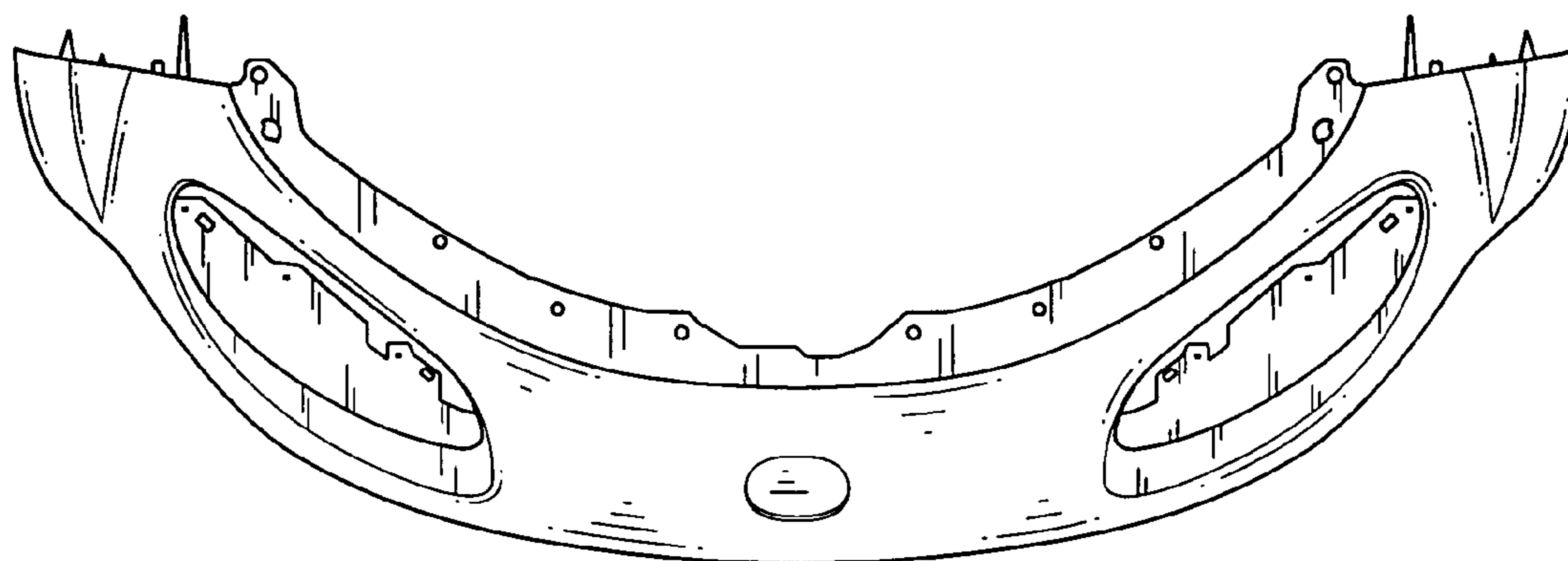


Fig.6

