



US00D559741S

(12) **United States Design Patent**
Lasher, III

(10) **Patent No.:** **US D559,741 S**
(45) **Date of Patent:** **** Jan. 15, 2008**

(54) **WHEELCHAIR**

(75) Inventor: **William J. Lasher, III**, Anchorage, AK
(US)

(73) Assignee: **Lasher Sport, LLC**, Anchorage, AK
(US)

(**) Term: **14 Years**

(21) Appl. No.: **29/255,385**

(22) Filed: **Mar. 3, 2006**

(51) **LOC (8) Cl.** **12-12**

(52) **U.S. Cl.** **D12/133**

(58) **Field of Classification Search** D12/128-133,
D12/16, 85; 267/5; 135/65-67, 74, 912;
280/62, 647-650, 29, 200, 47.38, 250.1,
280/259, 642, 658; 297/DIG. 4; 296/65.03,
296/65.04; 224/409; D6/364; D34/15;
180/6.5, 65.1, 65.6, 65.8, 208, 907, 906
See application file for complete search history.

(56) **References Cited**

U.S. PATENT DOCUMENTS

5,154,438 A * 10/1992 Barclay 280/250.1
D341,344 S * 11/1993 Counts et al. D12/133
D344,702 S * 3/1994 Robertson et al. D12/133
D395,854 S * 7/1998 Hernandez et al. D12/131
D413,555 S * 9/1999 Hernandez et al. D12/133

6,027,132 A * 2/2000 Robinson et al. 280/250.1
6,247,717 B1 * 6/2001 Lovins et al. 280/250.1
6,419,253 B1 * 7/2002 Mascari 280/250.1
D483,304 S * 12/2003 Ford D12/133

* cited by examiner

Primary Examiner—Ian Simmons

Assistant Examiner—Charles D Hanson

(74) *Attorney, Agent, or Firm*—Seed IP Law Group PLLC

(57) **CLAIM**

The ornamental design for a wheelchair, as shown and described.

DESCRIPTION

FIG. 1 is a front perspective view of a wheelchair showing my new design.

FIG. 2 is a front elevational view thereof.

FIG. 3 is a rear elevational view thereof.

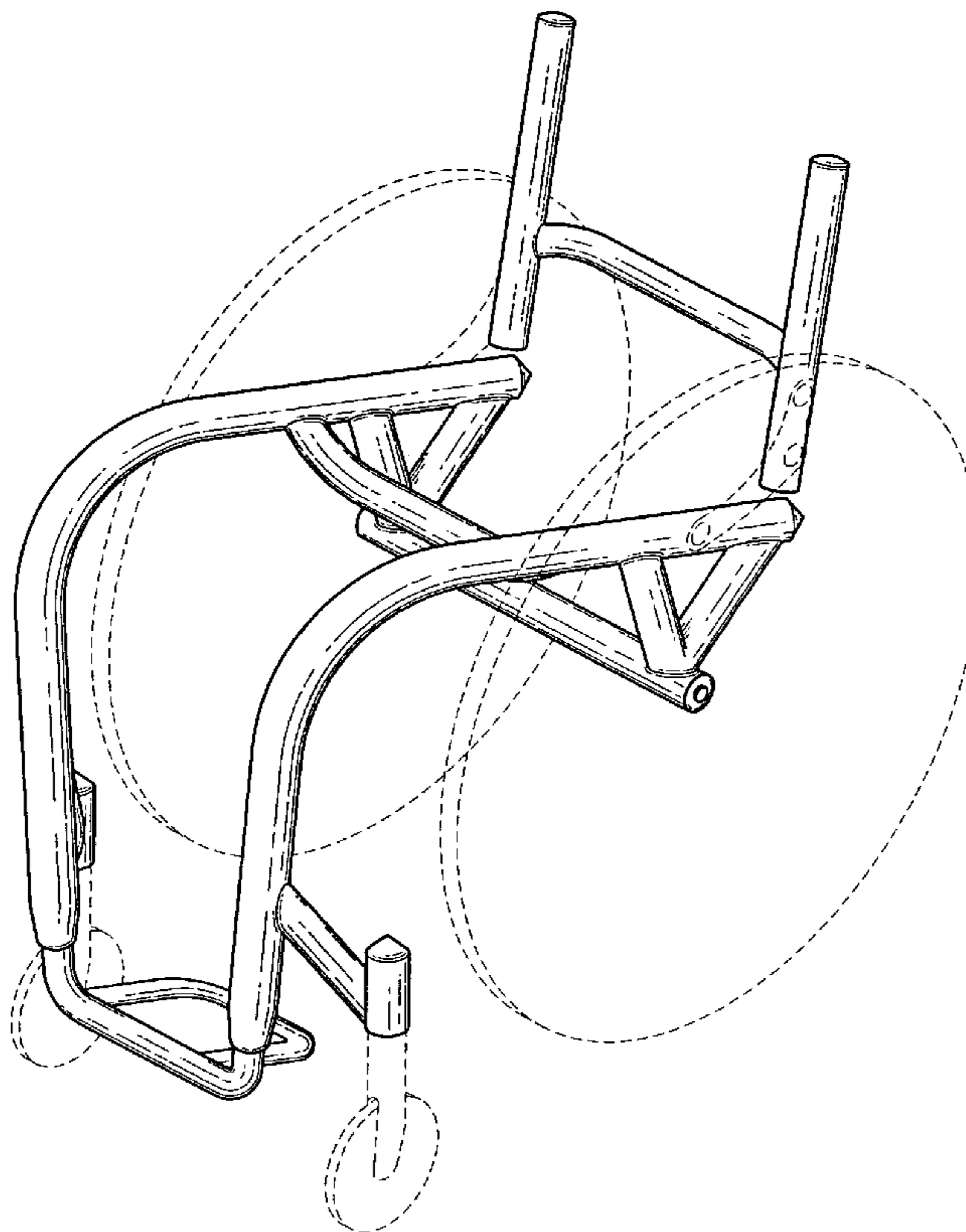
FIG. 4 is a top plan view thereof.

FIG. 5 is a bottom plan view thereof; and,

FIG. 6 is a left side elevational view thereof.

The broken line showing of the wheels is included for the purpose of illustrating environment and forms no part of the claimed design.

1 Claim, 6 Drawing Sheets



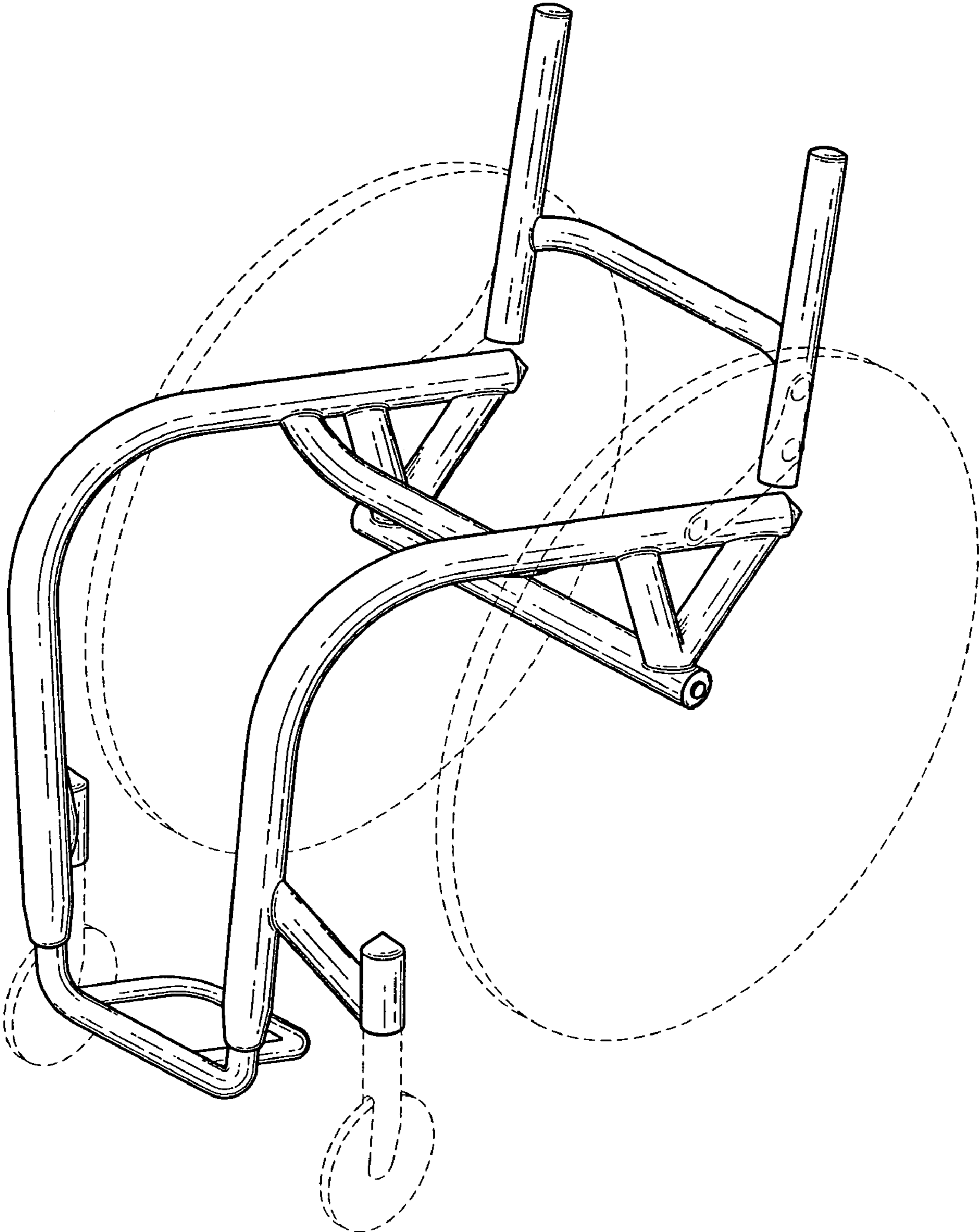


FIG. 1

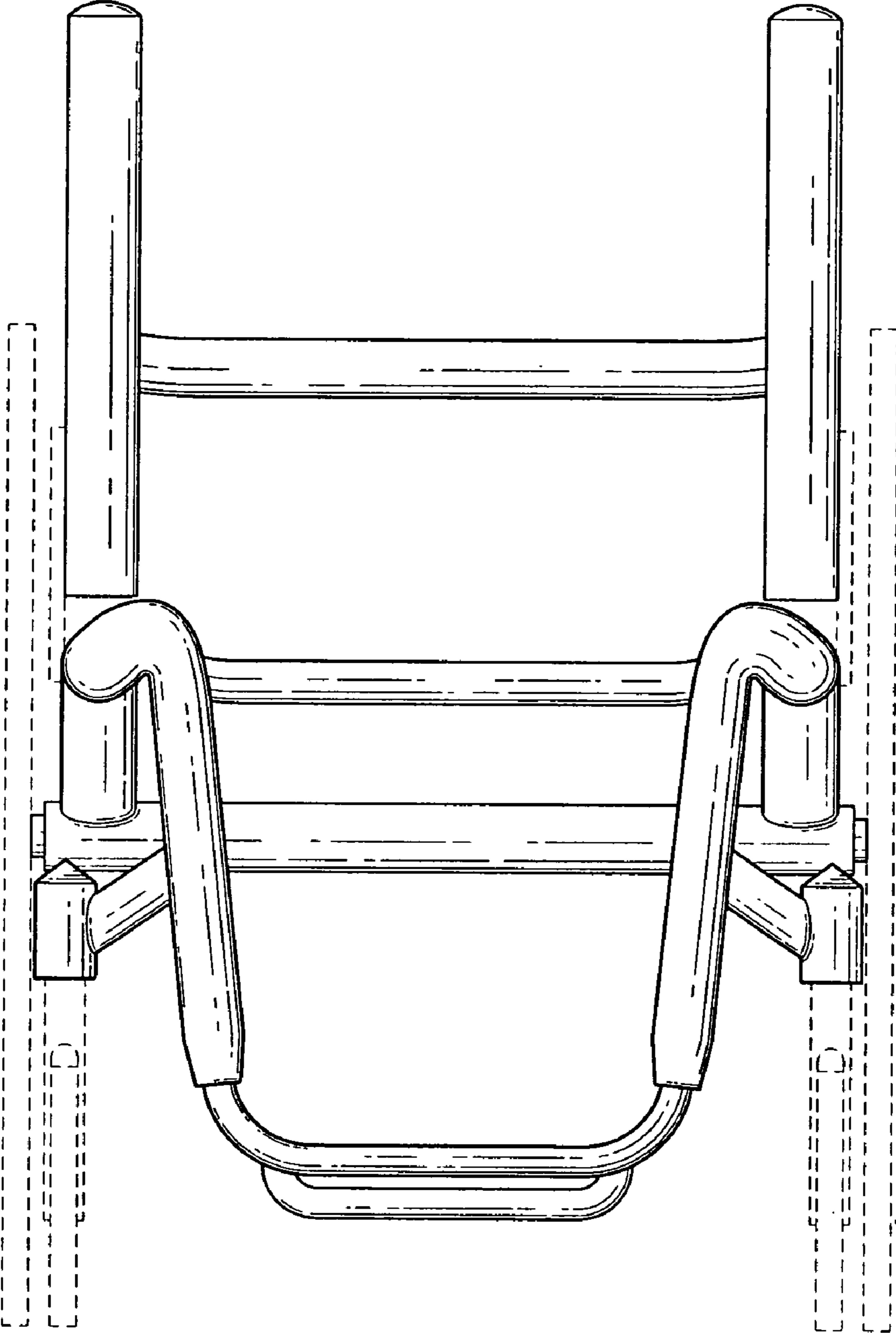


FIG. 2

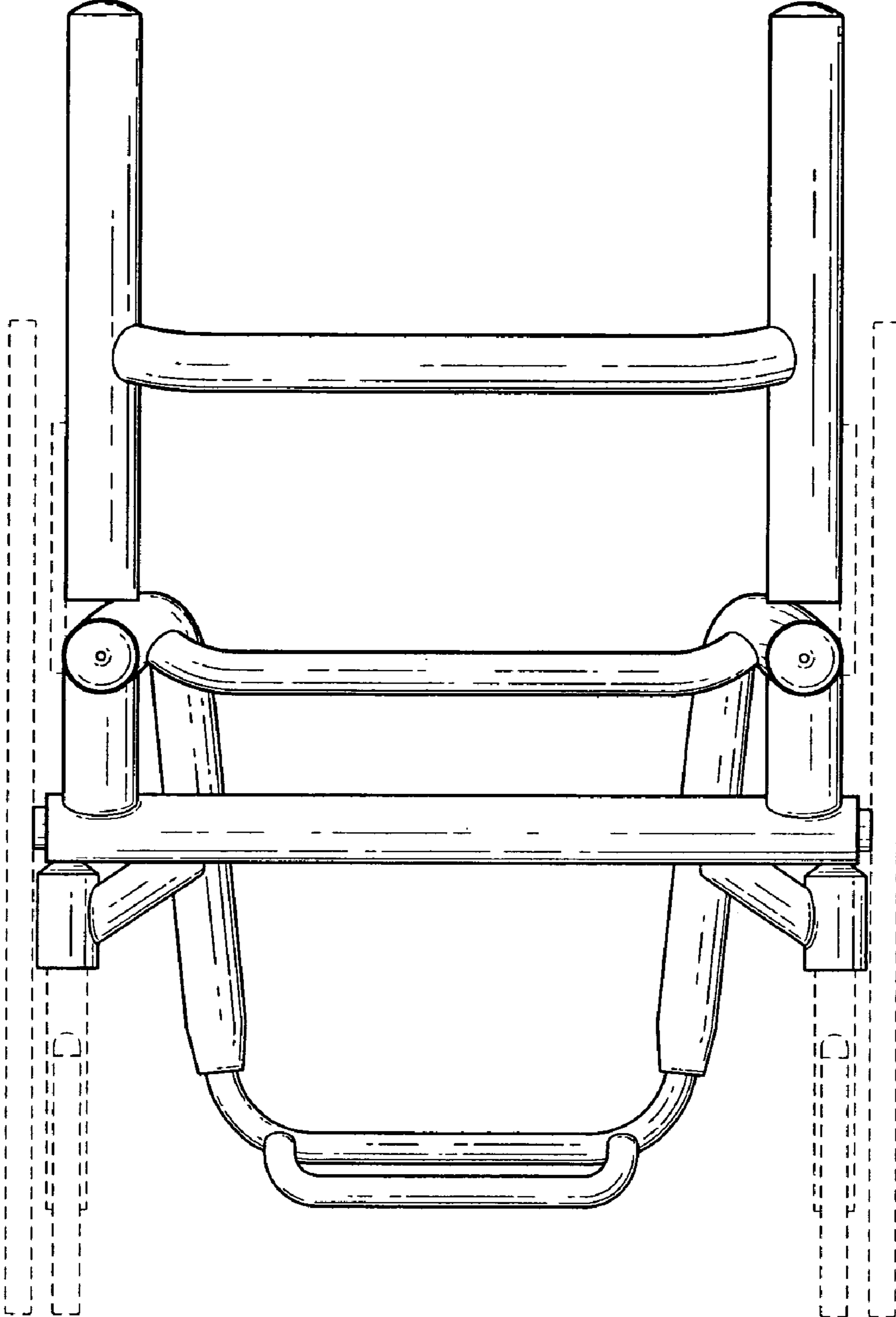


FIG. 3

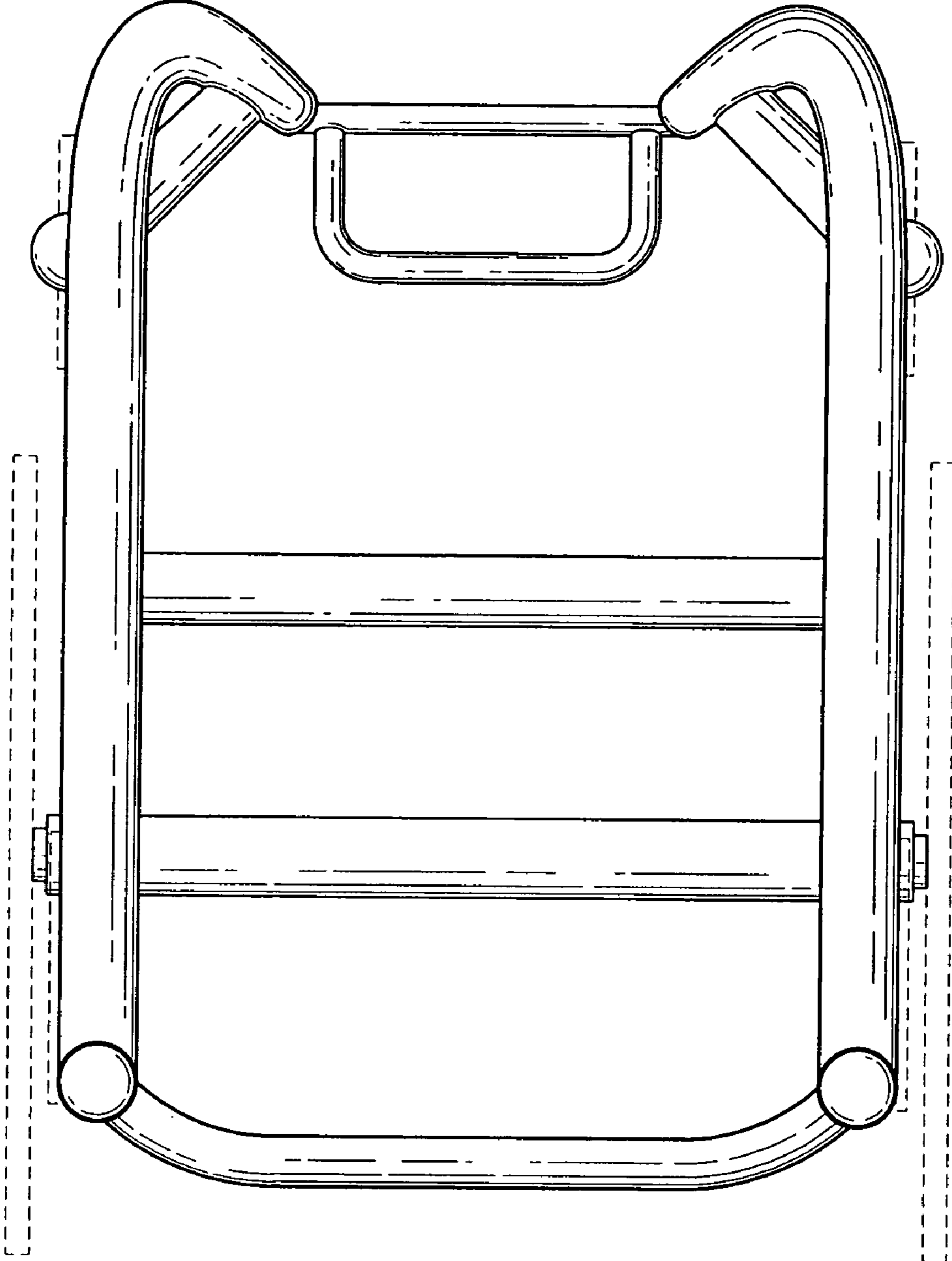


FIG. 4

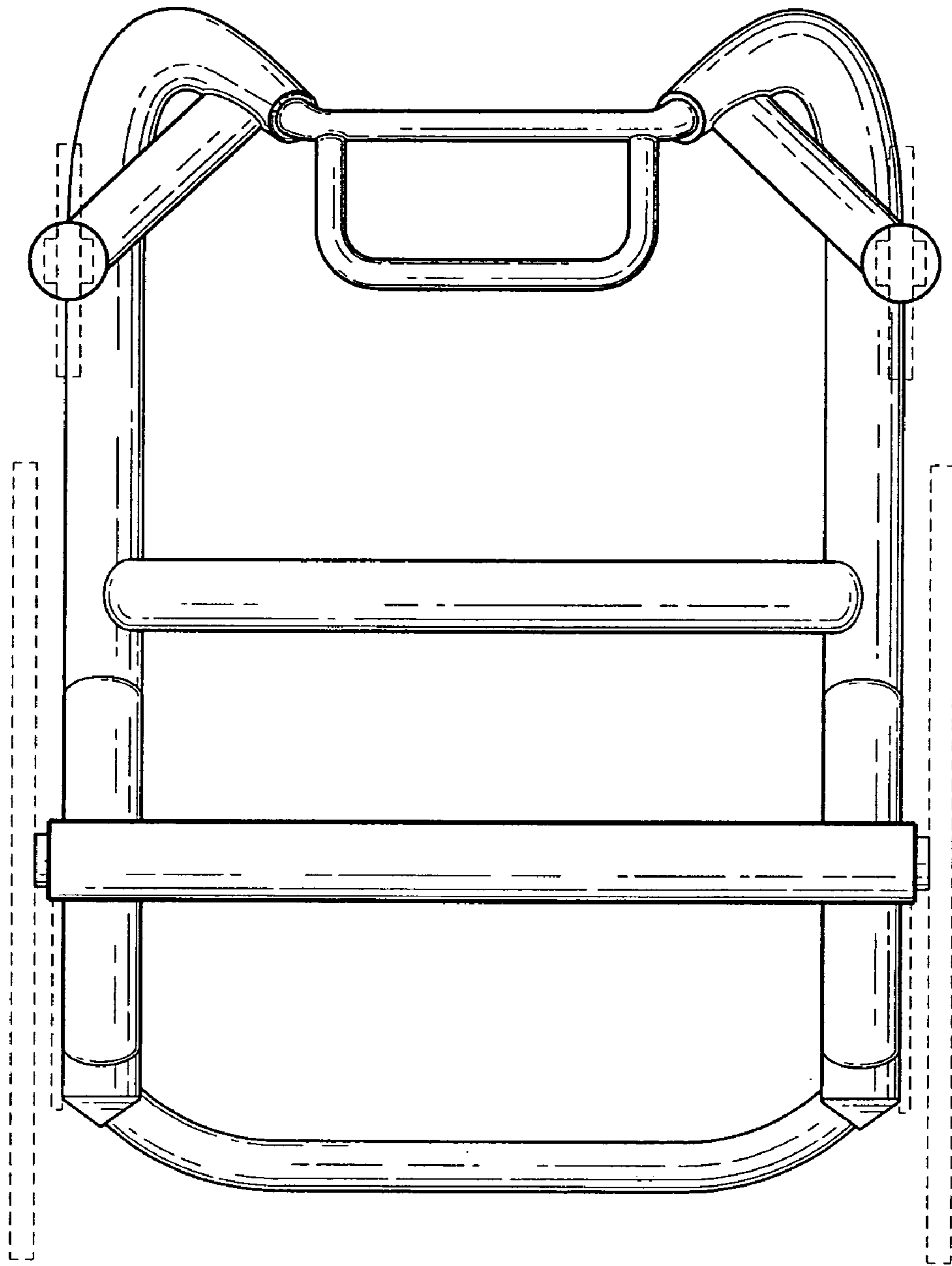


FIG. 5

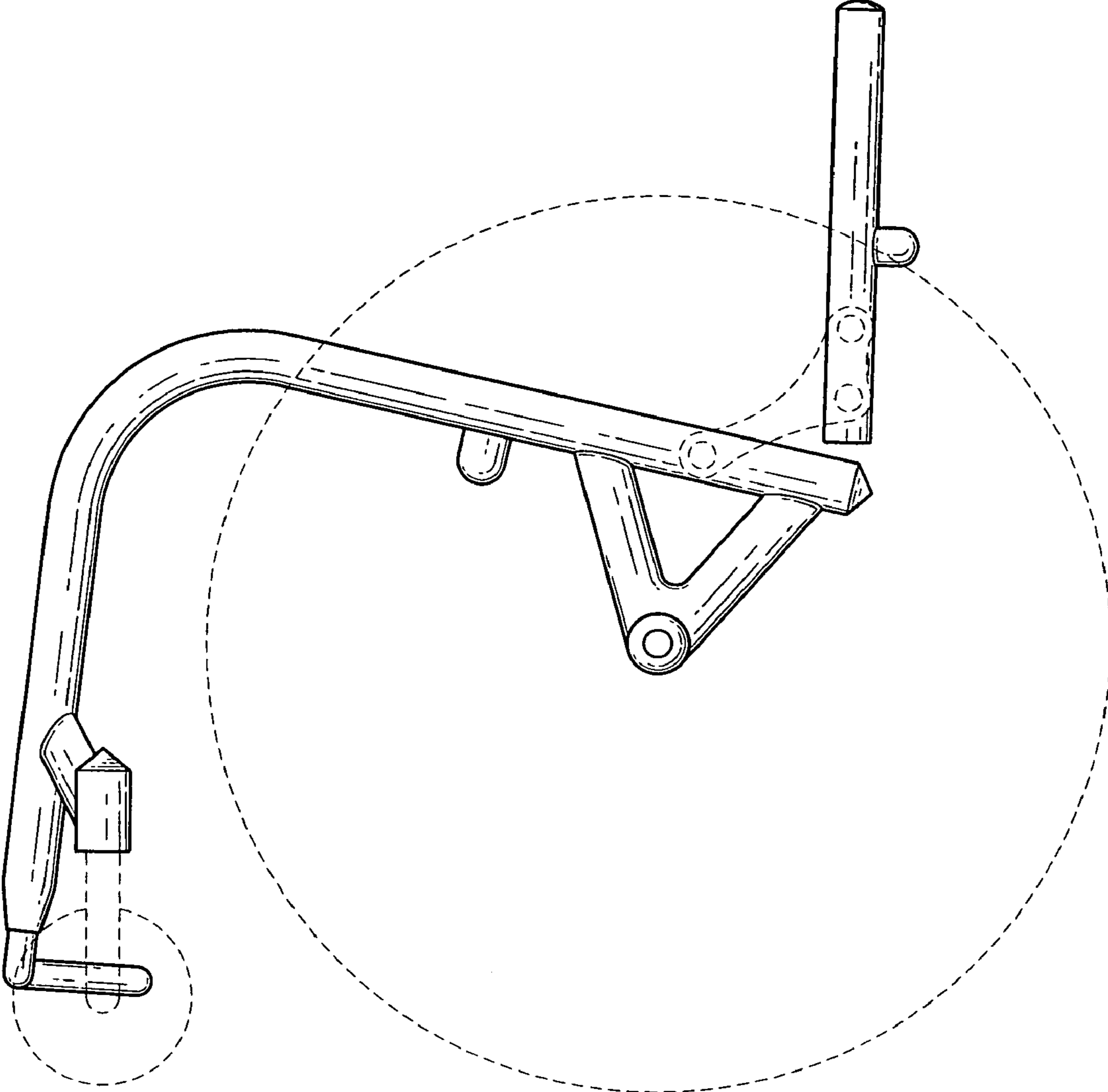


FIG. 6