



US00D559731S

(12) **United States Design Patent**
Opiniano

(10) **Patent No.:** **US D559,731 S**
(45) **Date of Patent:** **** Jan. 15, 2008**

(54) **GEOMETRIC FLOWER VASE**

(75) Inventor: **Dupir Marlon V. Opiniano**, San Jose, CA (US)

(73) Assignee: **Igeometryc Designs Manufacturing**, San Jose, CA (US)

(**) Term: **14 Years**

(21) Appl. No.: **29/269,629**

(22) Filed: **Dec. 6, 2006**

(51) **LOC (8) Cl.** **11-02**

(52) **U.S. Cl.** **D11/152**

(58) **Field of Classification Search** D6/556-558;
D7/516, 517, 520, 562; D11/142-156; D19/75,
D19/77, 80-82, 84; D26/9, 16; D99/5, 19;
47/33, 39, 41.01, 41.1, 41.11-41.13, 41.15,
47/65.5, 66.1, 66.6, 66.7, 67-71
See application file for complete search history.

(56) **References Cited**

U.S. PATENT DOCUMENTS

- 502,559 A * 8/1893 Gilman D11/152
- D23,181 S * 4/1894 Wientge D26/9
- 3,084,666 A * 4/1963 Plaisance 47/39
- 4,651,791 A * 3/1987 Evenson 220/625
- 5,577,344 A * 11/1996 Zaremba et al. 47/39
- D389,944 S * 1/1998 Hutton D26/9
- D411,892 S * 7/1999 Robinson D26/9
- D501,805 S * 2/2005 Opiniano D11/143

D516,462 S * 3/2006 Opiniano D11/143

* cited by examiner

Primary Examiner—Robert M. Spear
Assistant Examiner—Garth Rademaker

(57) **CLAIM**

The ornamental design for a geometric flower vase, substantially, as shown and described.

DESCRIPTION

FIG. 1 is a front elevation view of a geometric flower vase showing my new design;

FIG. 2 is a right side elevational view thereof, the left side elevational view being a mirror image thereof;

FIG. 3 is a top plan view thereof;

FIG. 4 is a cross-sectional view thereof, taken along line 4-4 of FIG. 2; and

FIG. 5 is a bottom plan view thereof.

FIG. 6 is a front elevational view of a second embodiment of a geometric flower vase showing my new design;

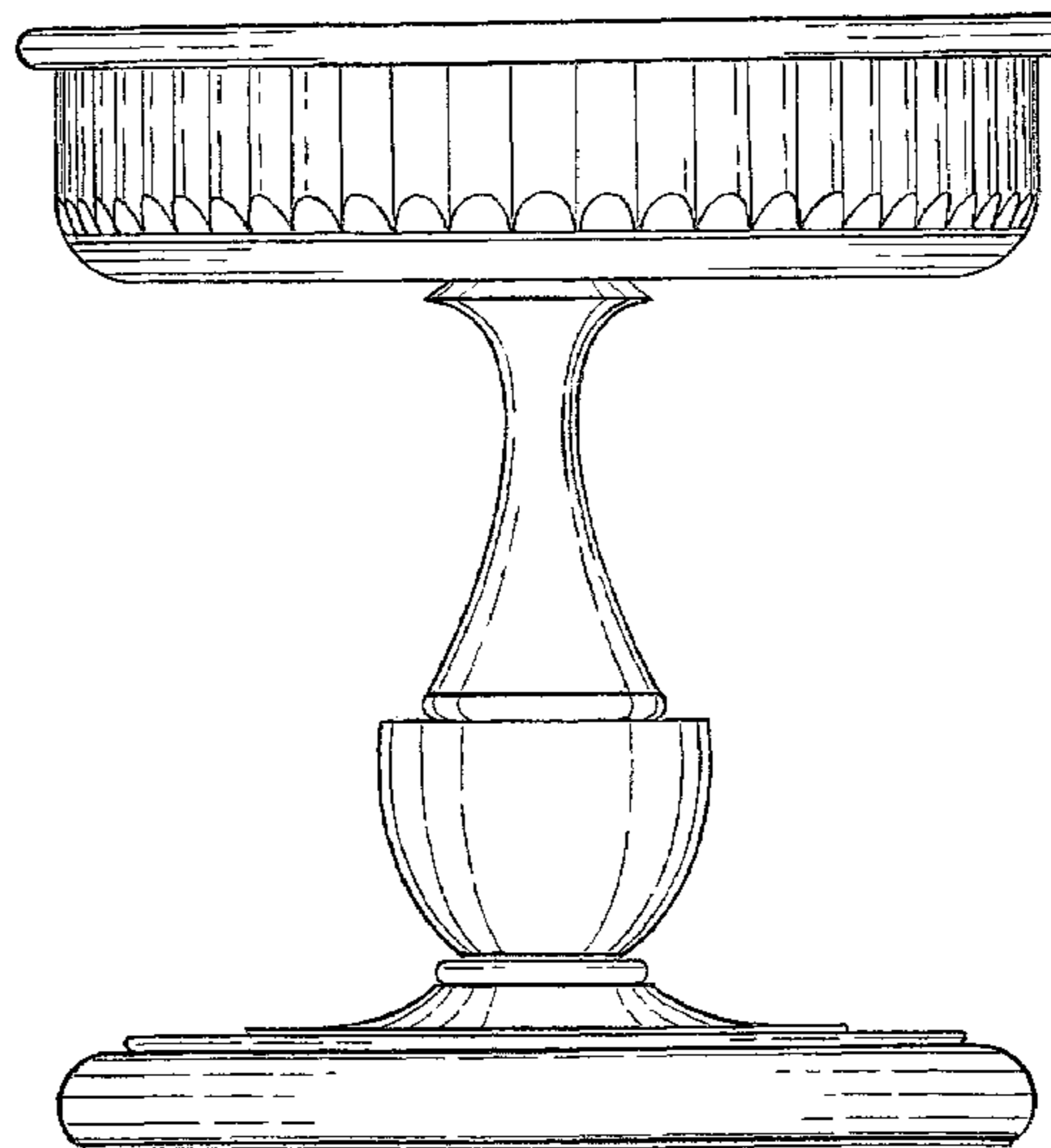
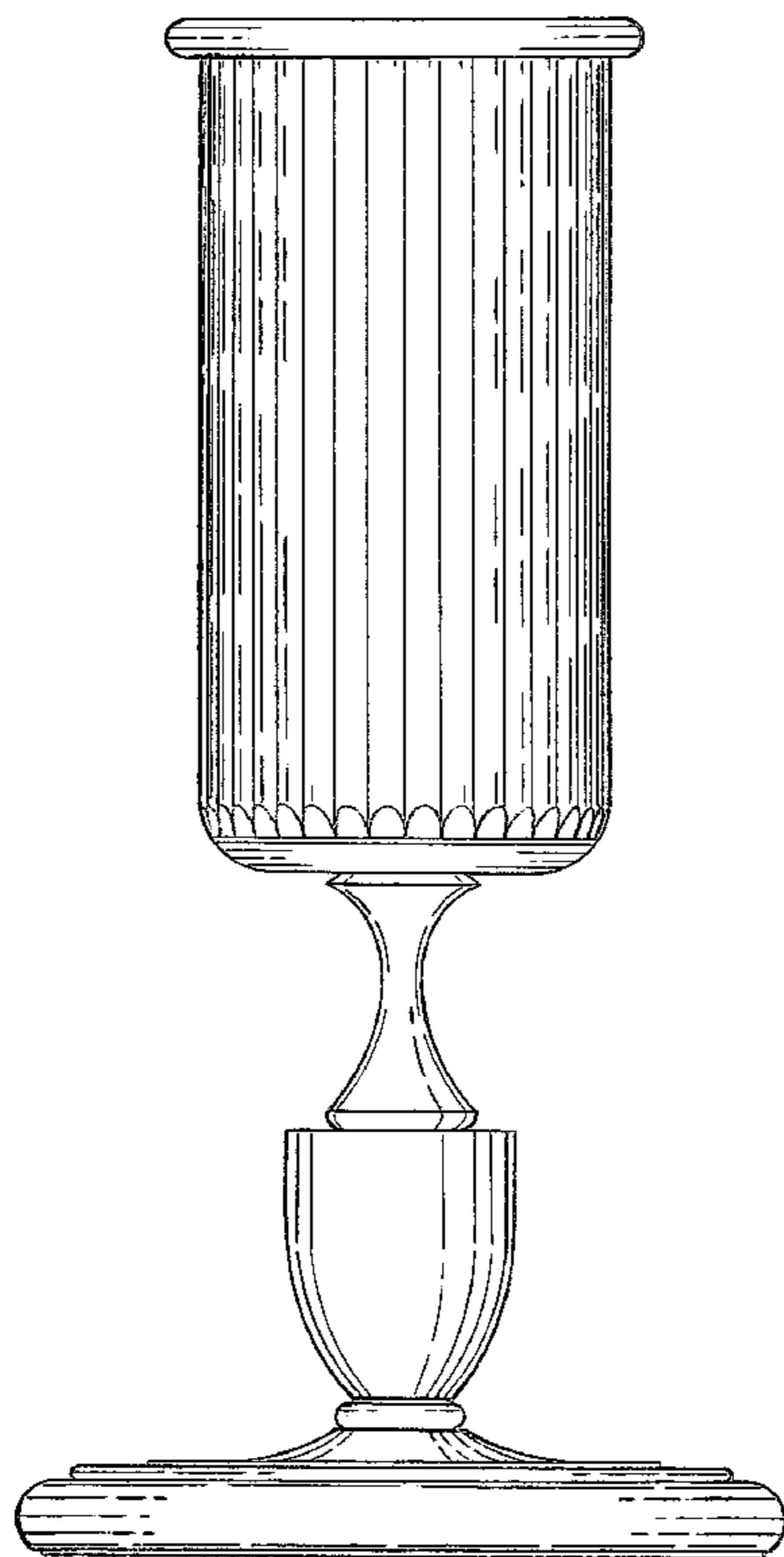
FIG. 7 is a right side elevational view thereof, the left side elevational view being a mirror image thereof;

FIG. 8 is a top plan view thereof;

FIG. 9 is a cross-sectional view thereof, taken along line 9-9 of FIG. 6; and,

FIG. 10 is a bottom plan view thereof.

1 Claim, 9 Drawing Sheets



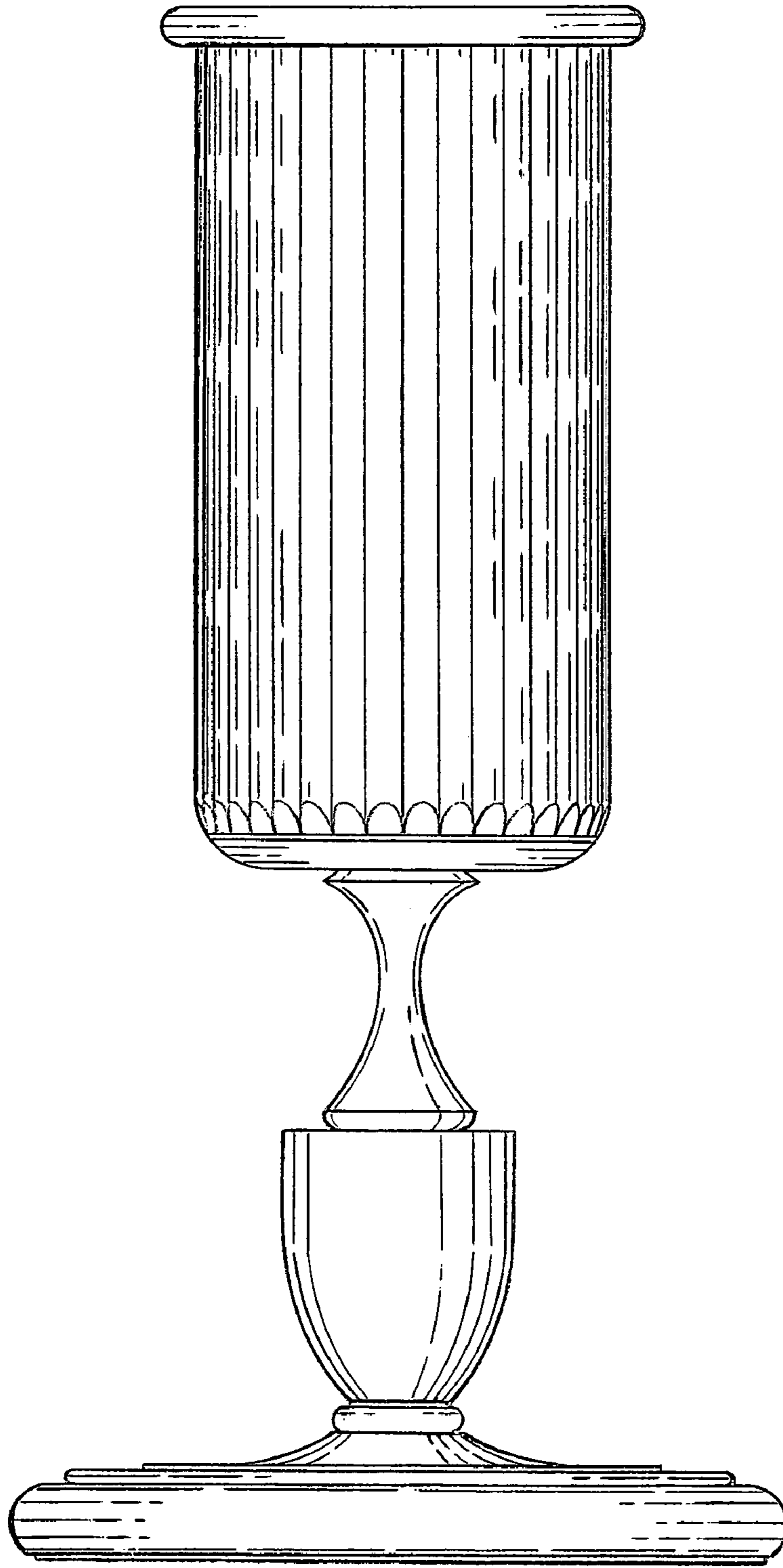


Fig. 1

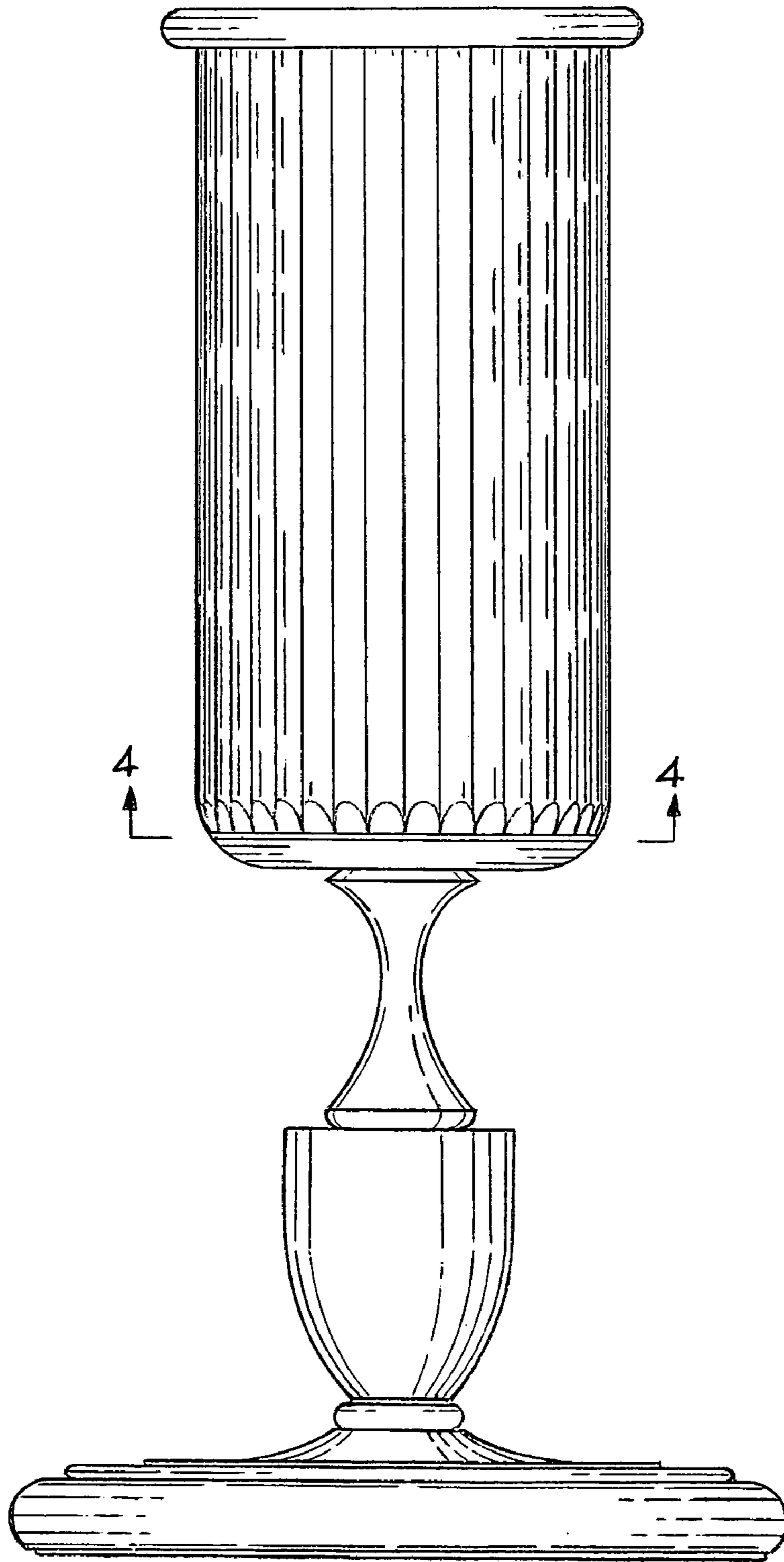


Fig. 2

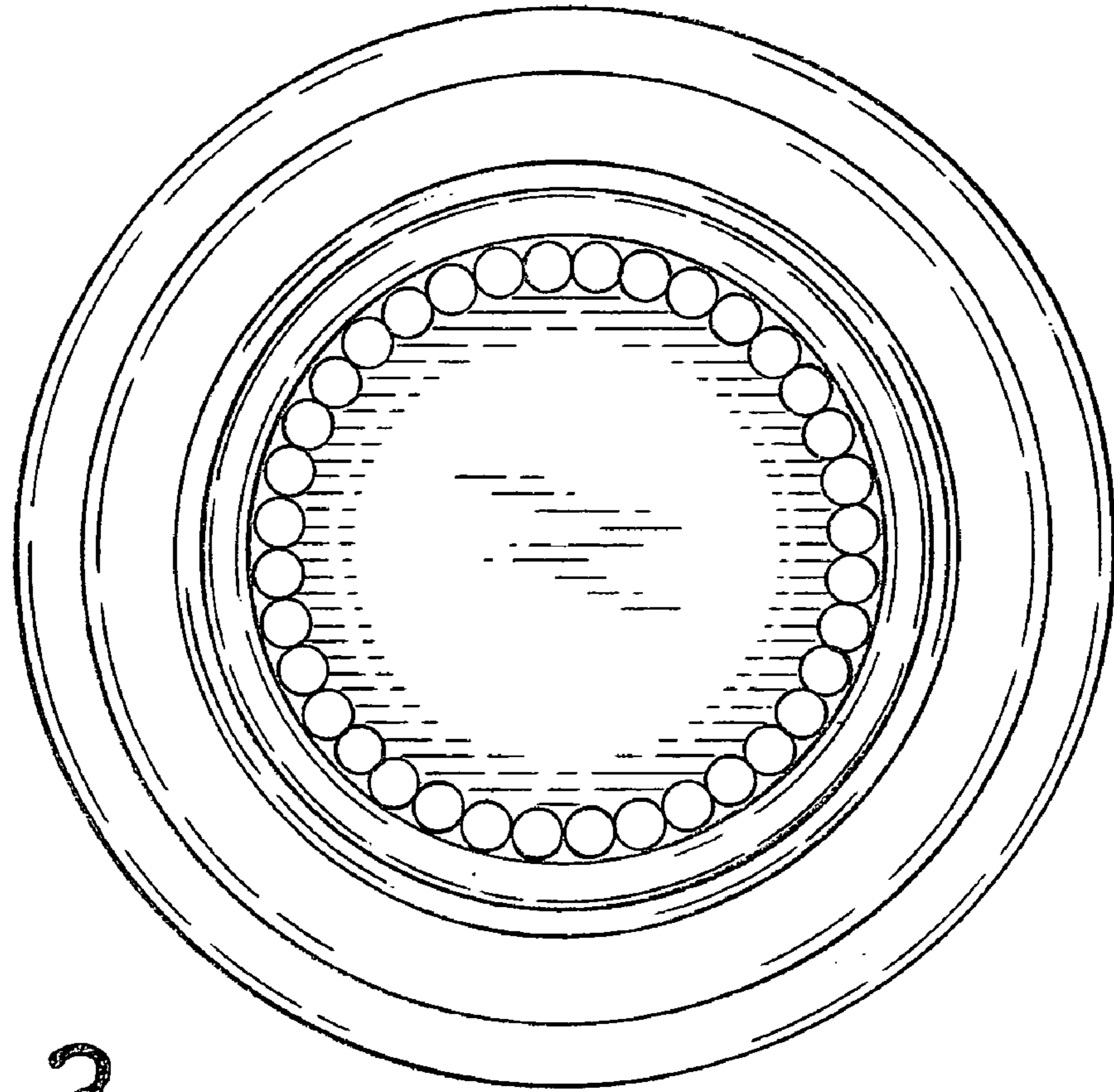


Fig. 3

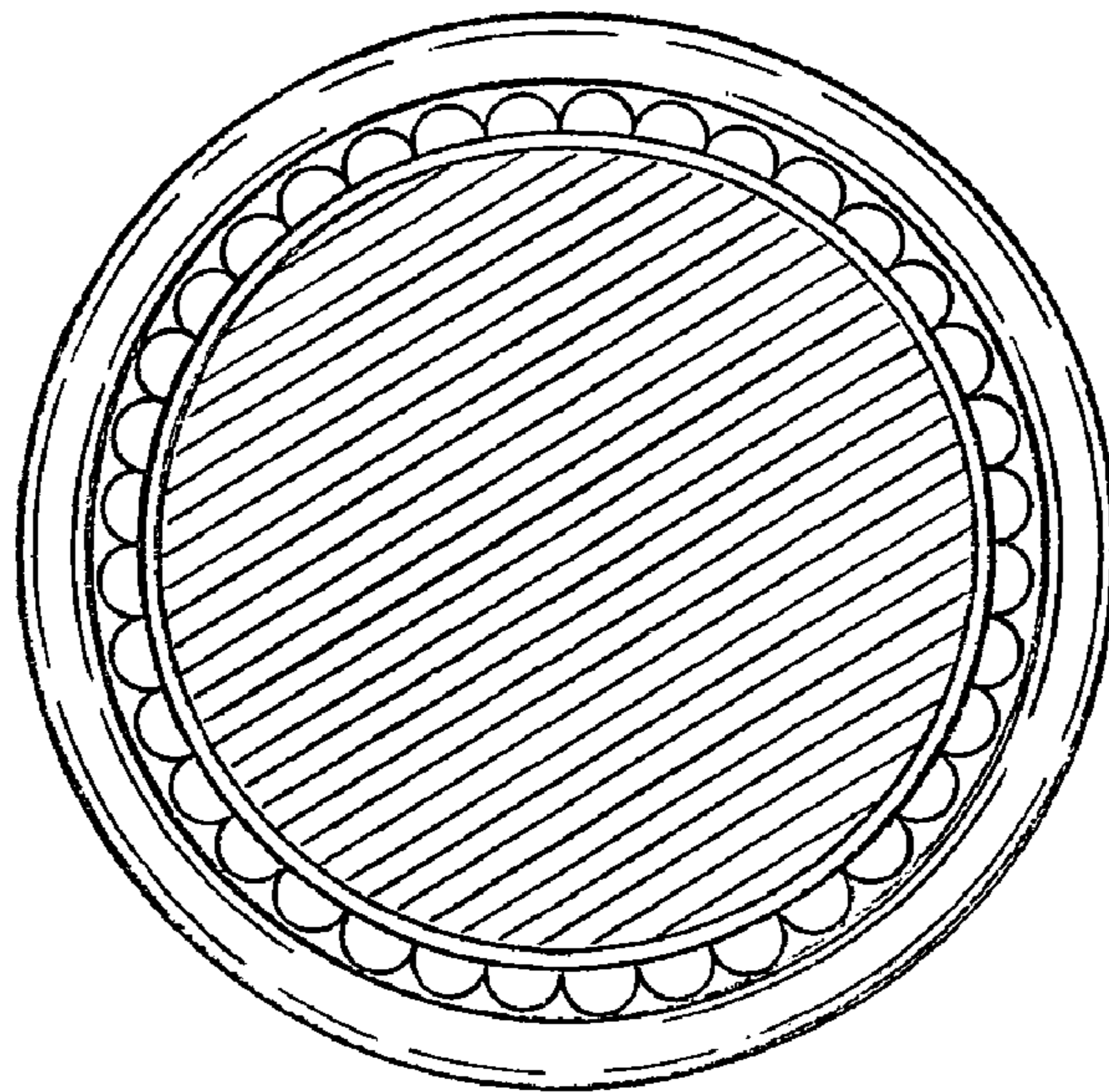


Fig. 4

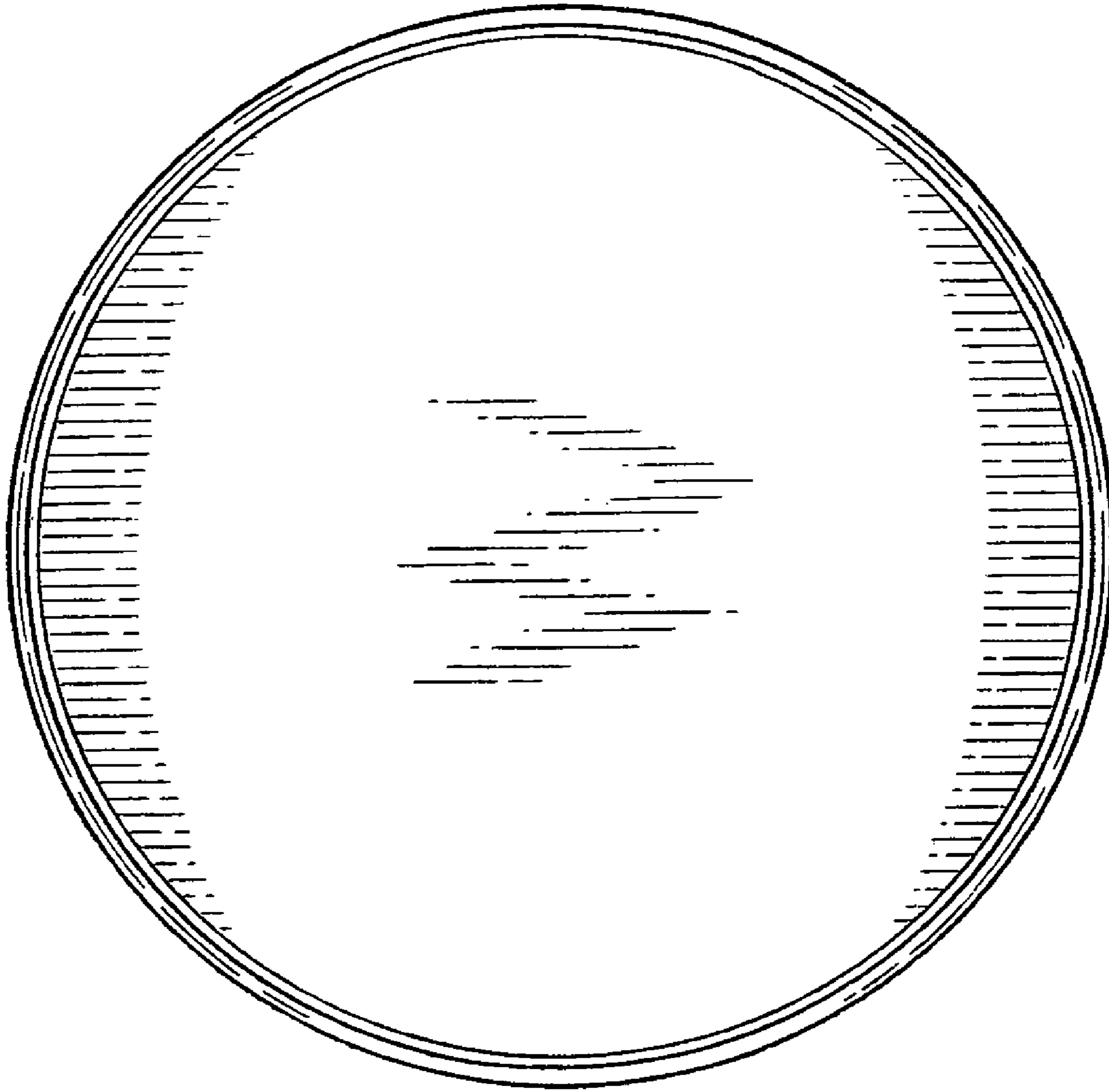


Fig. 5

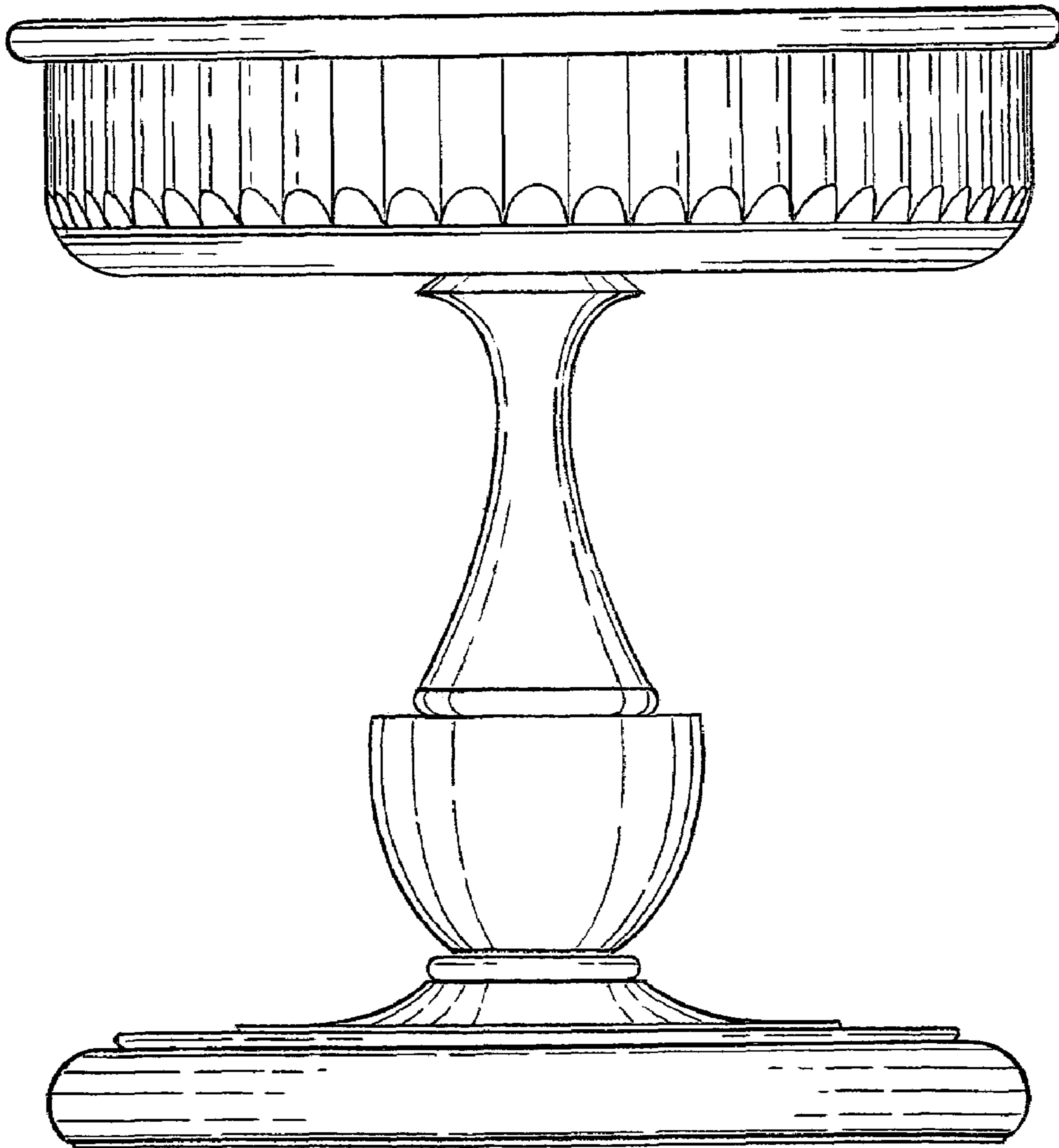


Fig. 6

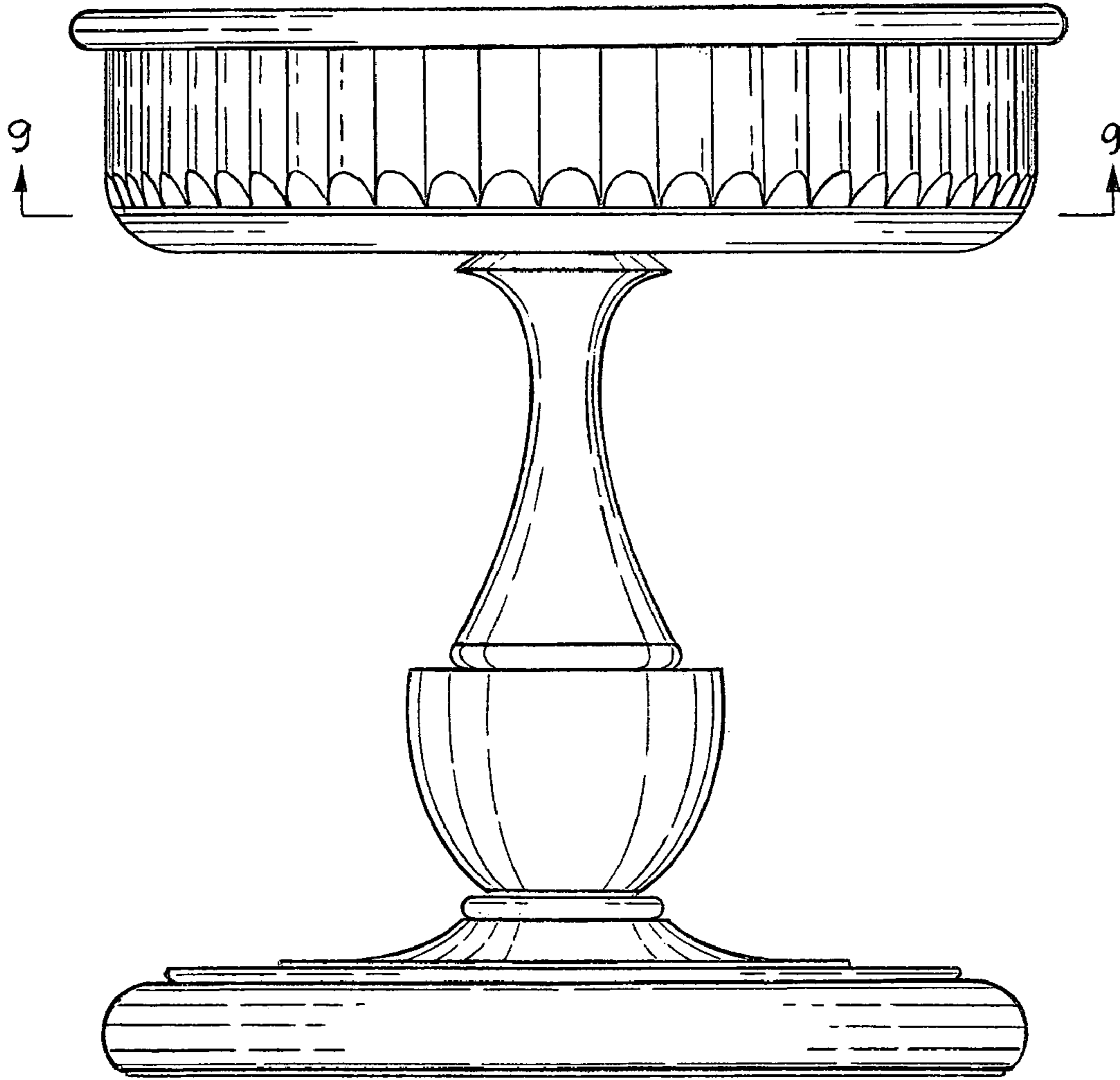


Fig. 7

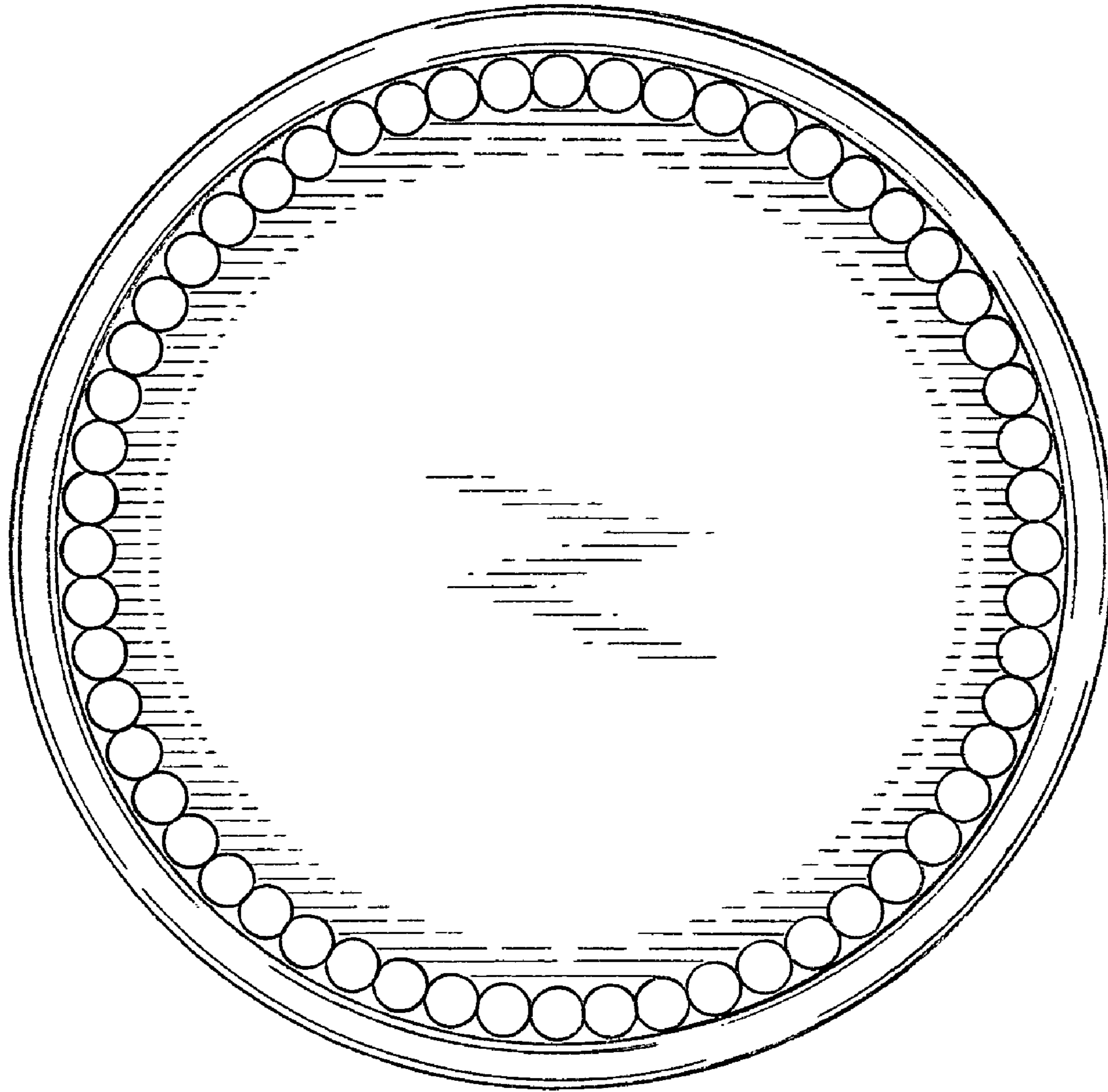


Fig. 88

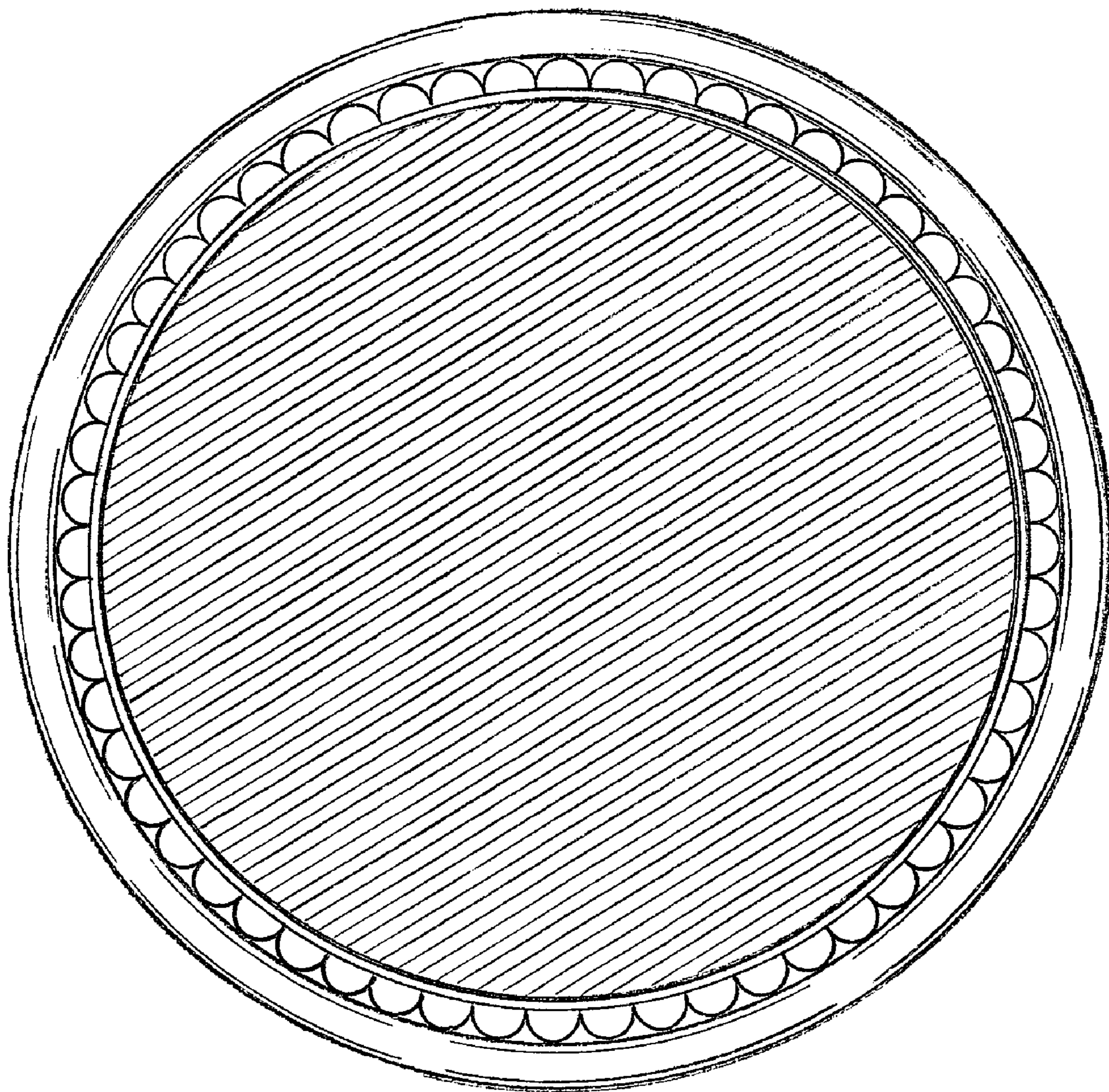


Fig. 9

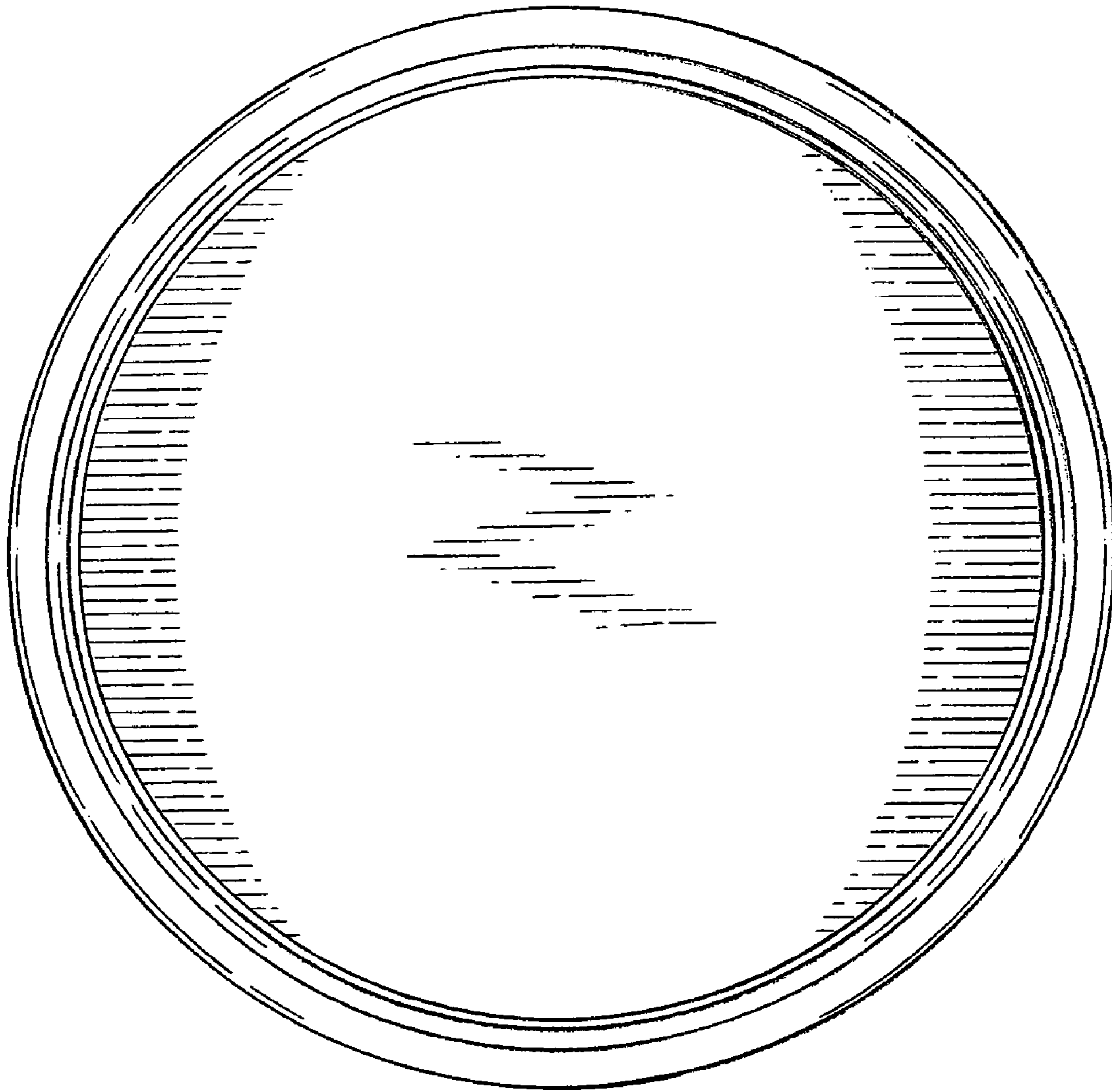


Fig. 10