



US00D559720S

(12) **United States Design Patent**
Raymond

(10) **Patent No.:** **US D559,720 S**

(45) **Date of Patent:** **** Jan. 15, 2008**

(54) **ELECTRONIC ARTICLE SURVEILLANCE TAG**

2007/0067971 A1* 3/2007 Nguyen et al. 24/704.1
2007/0096925 A1* 5/2007 Yang et al. 340/572.9
2007/0182569 A1* 8/2007 Lynce et al. 340/572.9

(75) Inventor: **Dale W. Raymond**, Boca Raton, FL (US)

* cited by examiner

(73) Assignee: **Sensormatic Electronics Corporation**, Boca Raton, FL (US)

Primary Examiner—Robert M. Spear
Assistant Examiner—George D Kirschbaum

(**) Term: **14 Years**

(57) **CLAIM**

(21) Appl. No.: **29/291,254**

The ornamental design for an electronic article surveillance tag, as shown and described.

(22) Filed: **Aug. 20, 2007**

DESCRIPTION

(51) **LOC (8) Cl.** **10-05**

FIG. 1 is a front view showing the new design;

(52) **U.S. Cl.** **D10/106**

FIG. 2 is a rear view thereof;

(58) **Field of Classification Search** D10/104,

FIG. 3 is a left side elevational view thereof;

D10/106; 340/572.1, 572.2, 572.8, 572.9;

FIG. 4 is a right side elevational view thereof;

24/704.1

FIG. 5 is a top plan view thereof;

See application file for complete search history.

FIG. 6 is a bottom plan view thereof;

(56) **References Cited**

FIG. 7 is a front perspective view taken from the bottom end and left side thereof;

U.S. PATENT DOCUMENTS

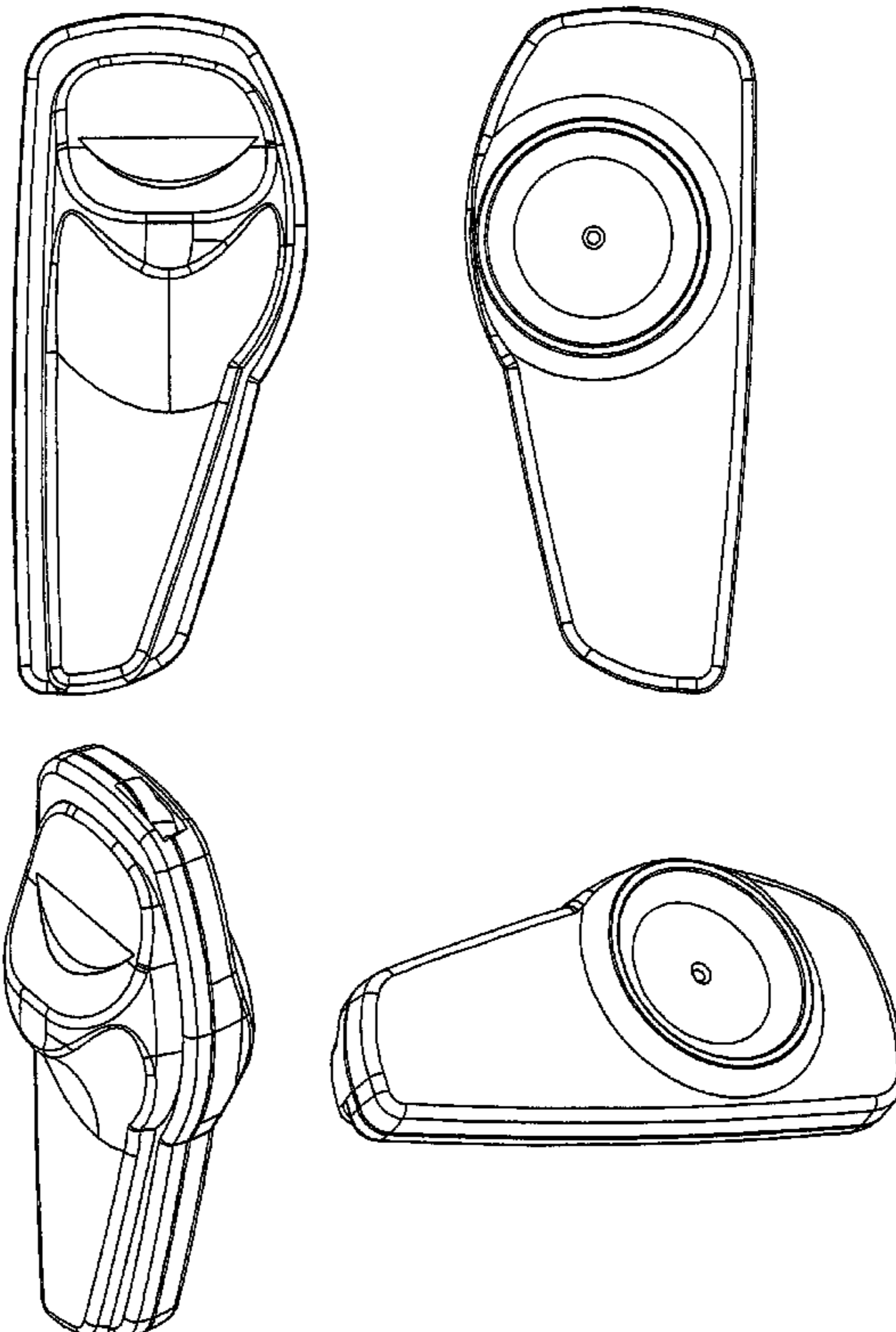
- 6,121,878 A * 9/2000 Brady et al. 340/572.1
- 6,255,950 B1 * 7/2001 Nguyen 340/572.8
- D466,426 S * 12/2002 Proulx et al. D10/104
- D466,427 S * 12/2002 Huehner et al. D10/104
- 7,062,823 B2 * 6/2006 Copen et al. 24/704.1
- 2002/0158762 A1* 10/2002 Nguyen et al. 340/572.9
- 2005/0091809 A1* 5/2005 Xue et al. 24/704.1
- 2005/0270161 A1* 12/2005 Yang et al. 340/572.9
- 2007/0024448 A1* 2/2007 Sayegh 340/572.1

FIG. 8 is a front perspective view taken from the top end and right side thereof;

FIG. 9 is a front perspective view taken from the top end and left side thereof; and,

FIG. 10 is a rear perspective view taken from the bottom end and right side thereof.

1 Claim, 4 Drawing Sheets



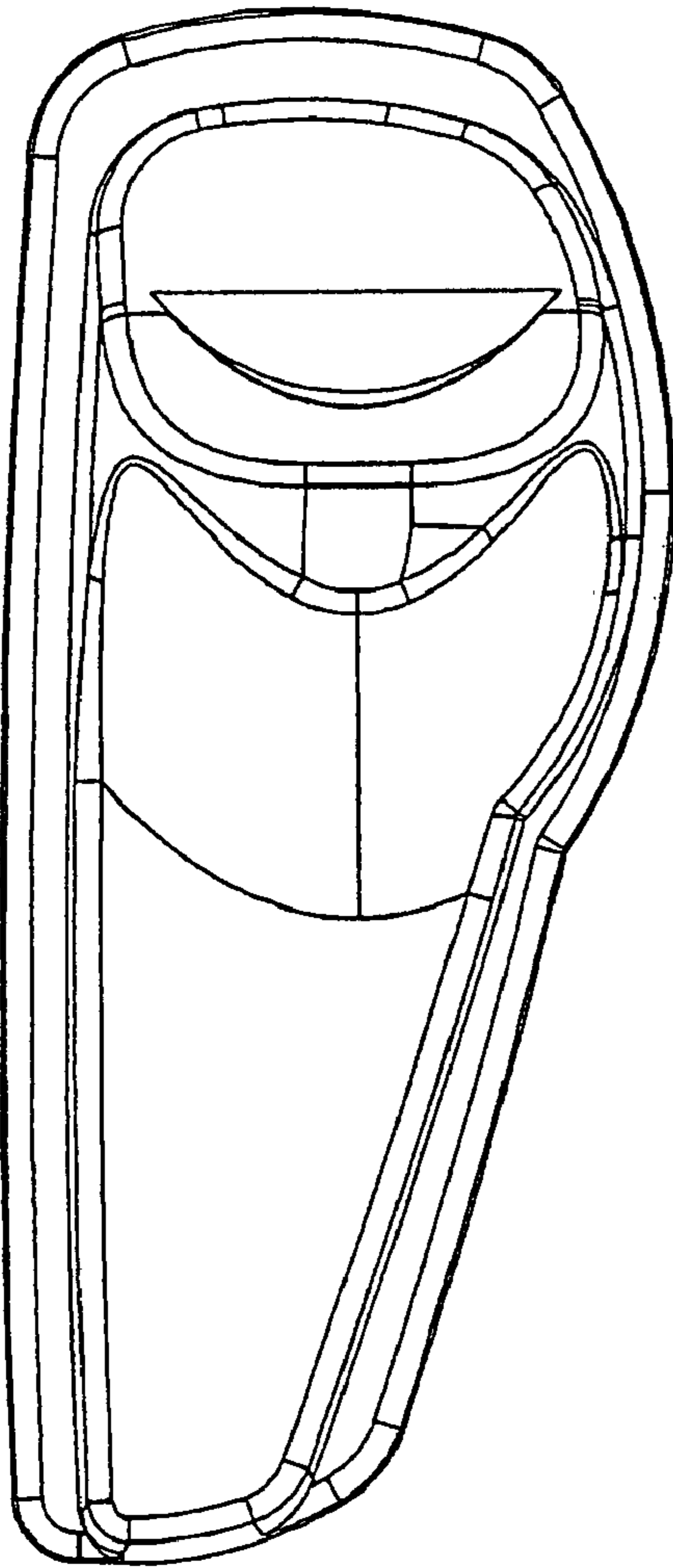


FIG. 1

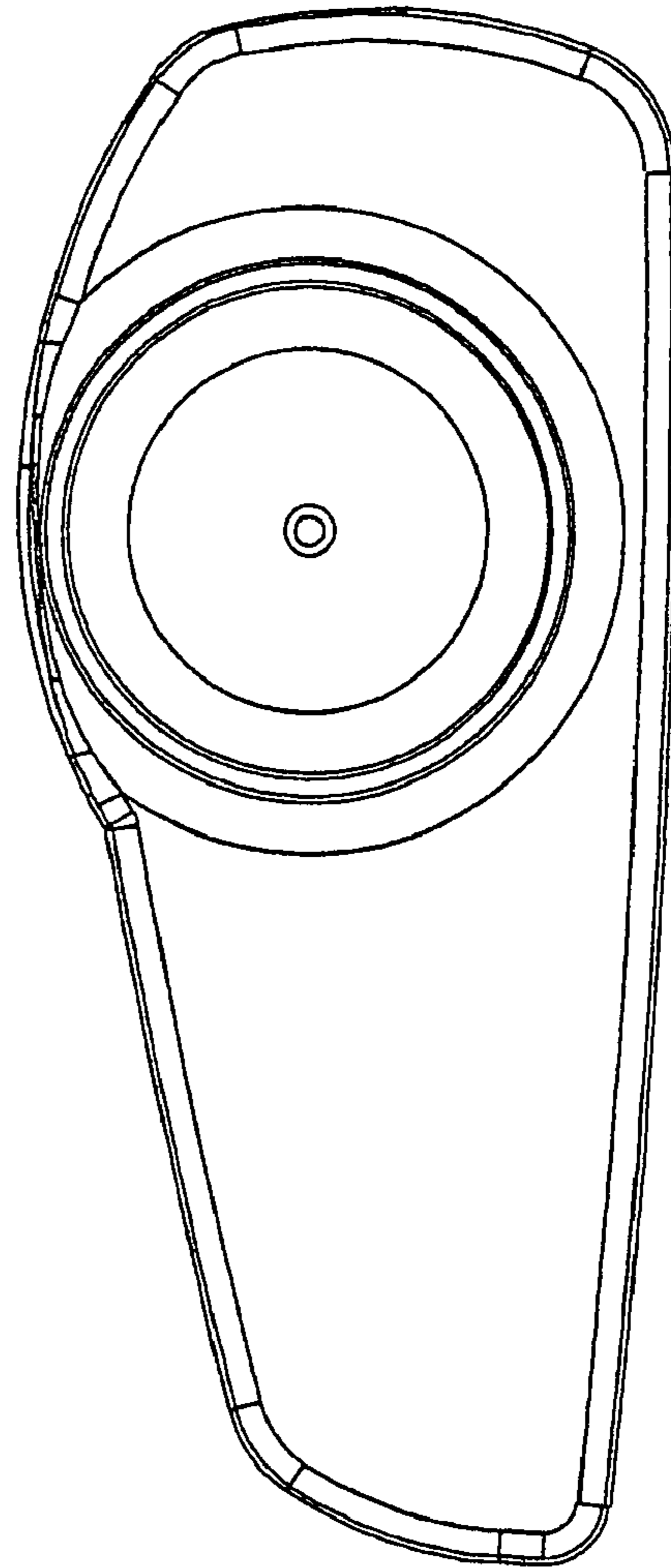


FIG. 2

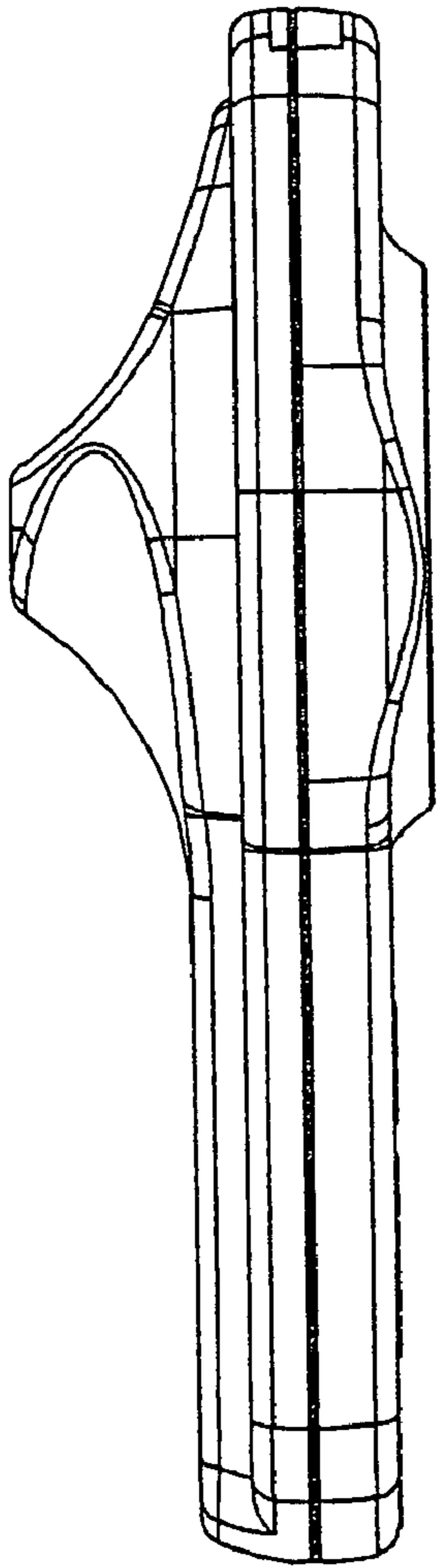


FIG. 3

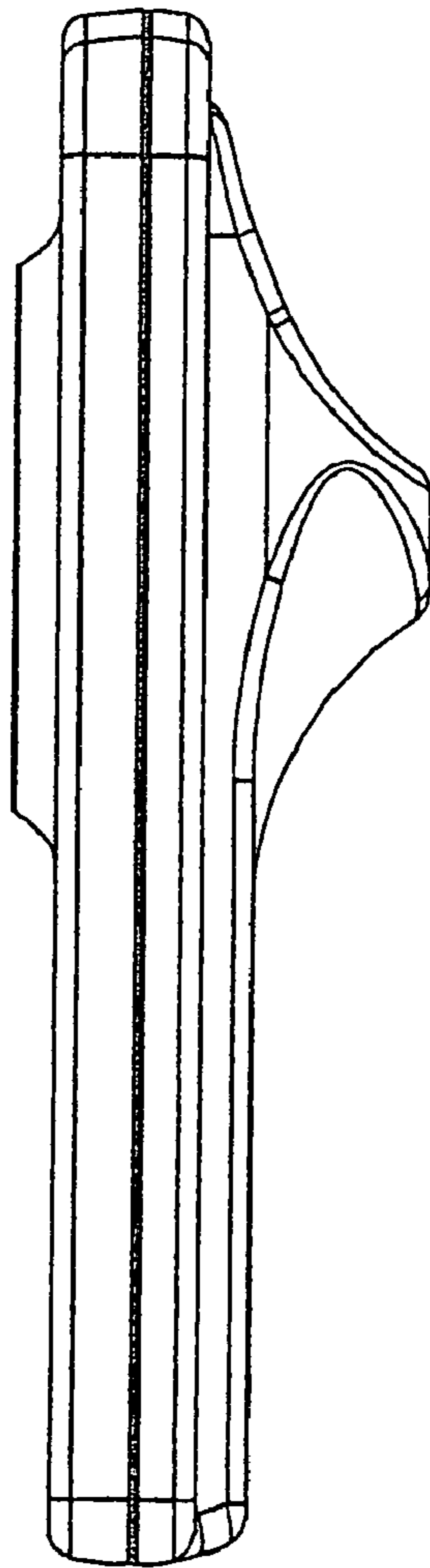


FIG. 4

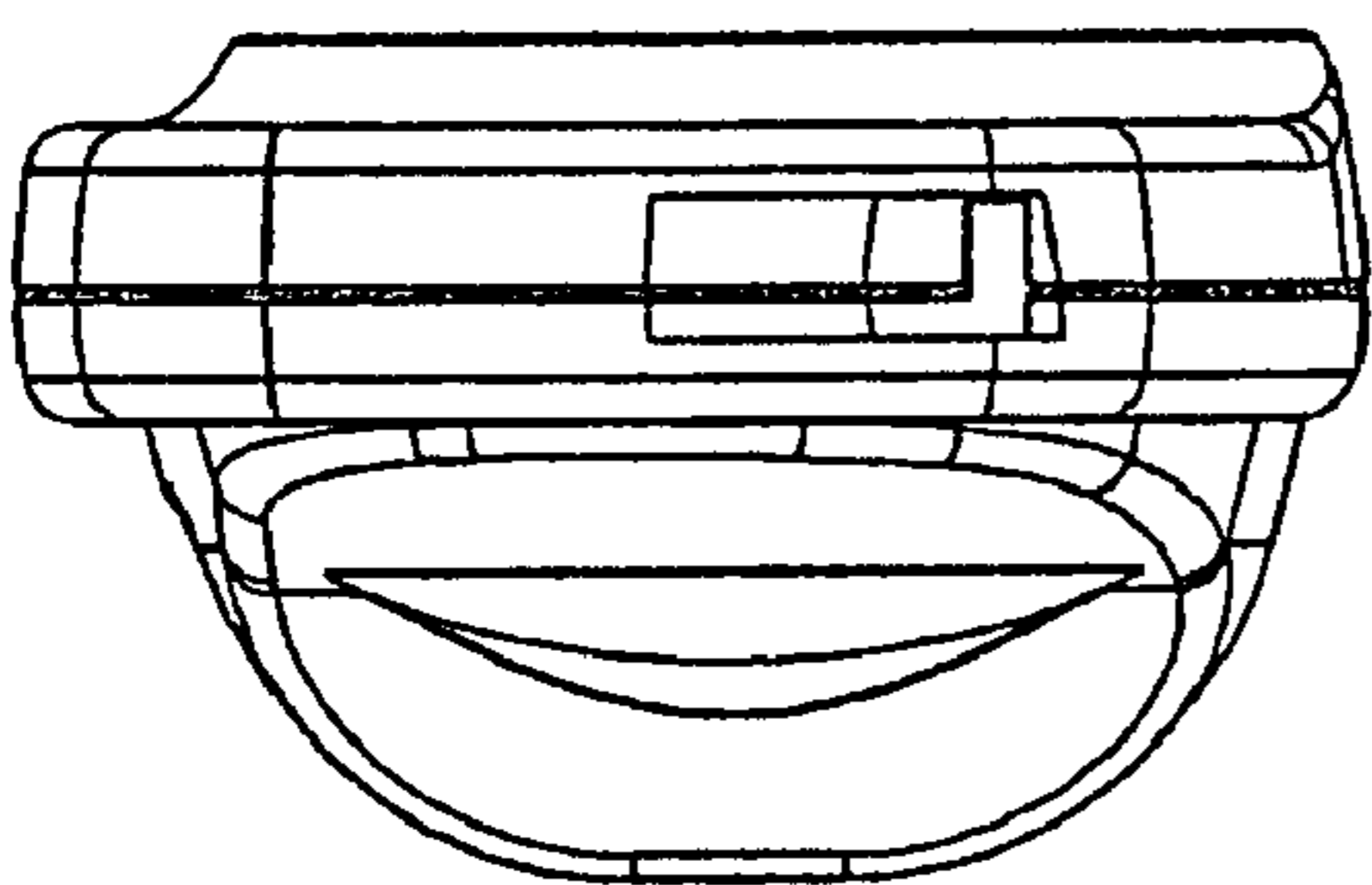


FIG. 5

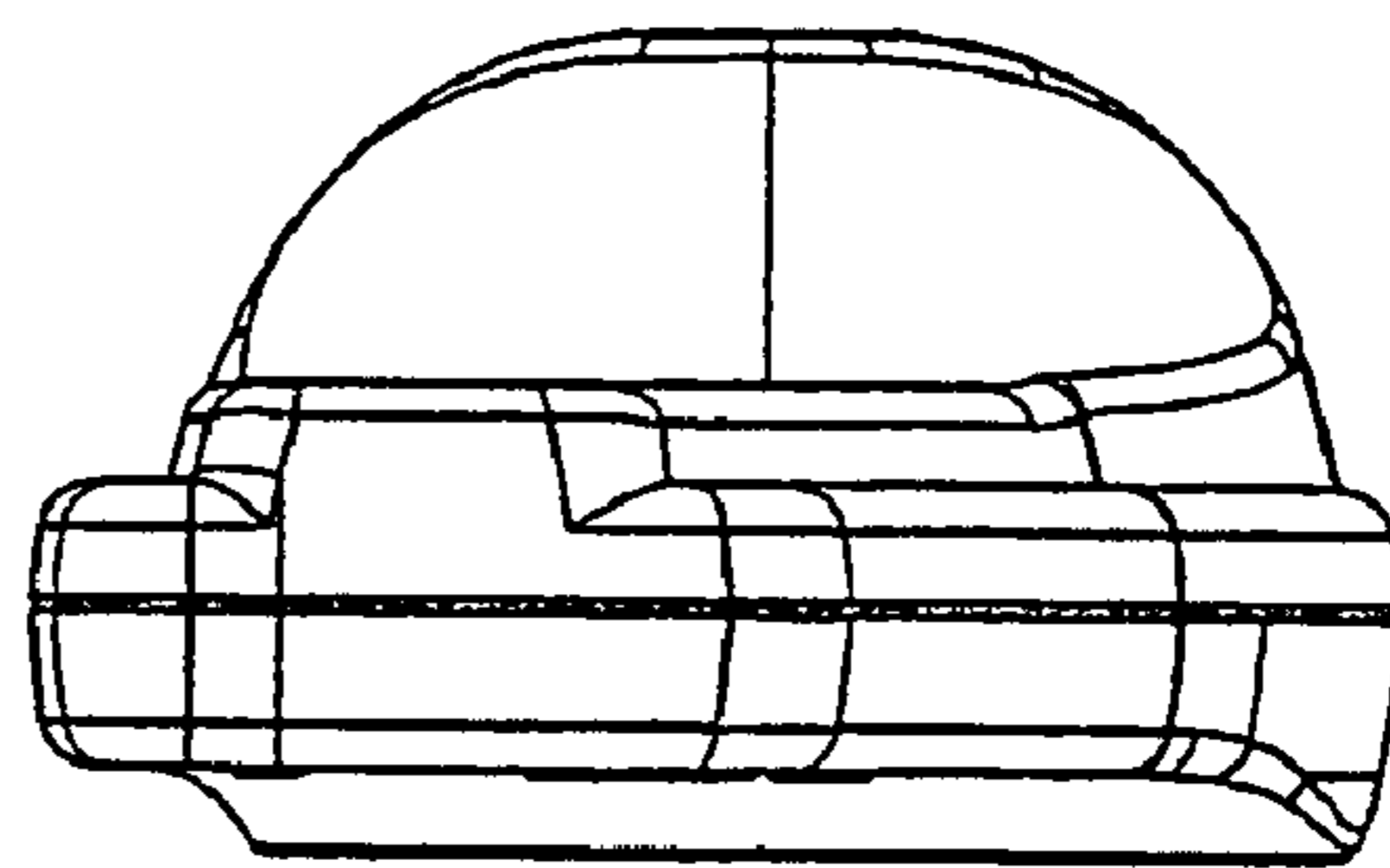


FIG. 6

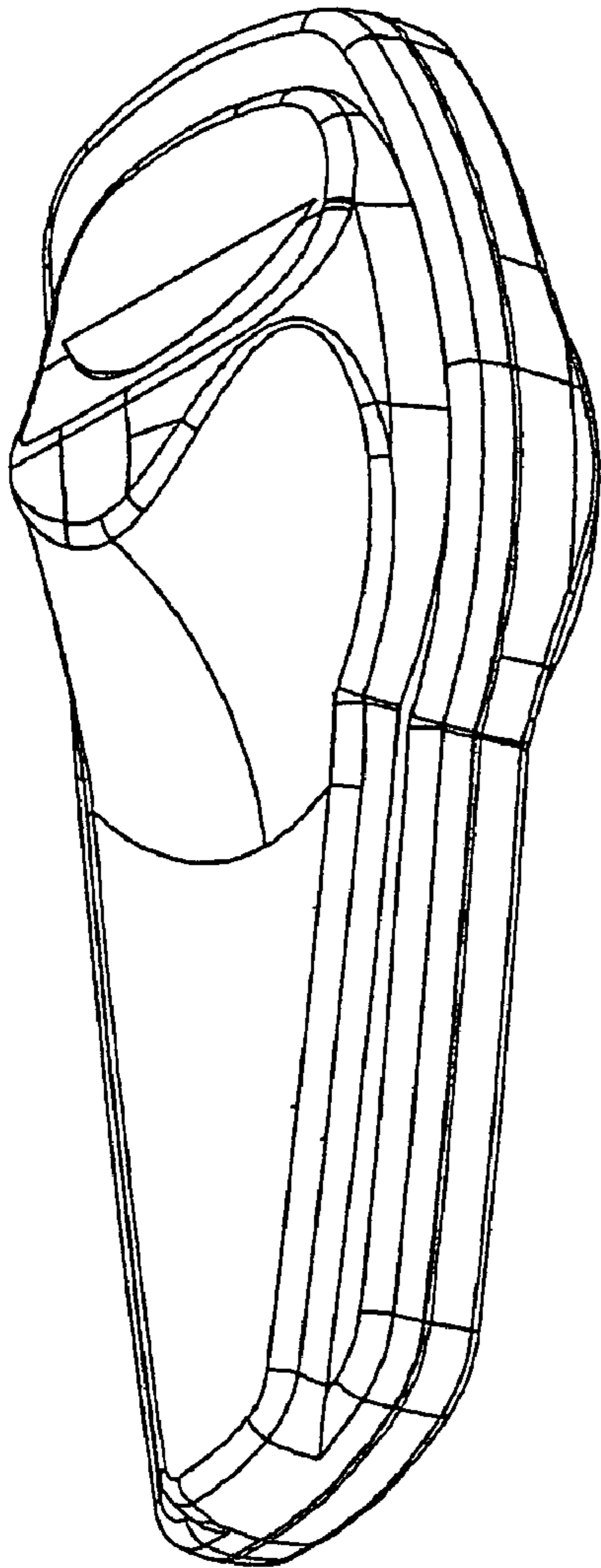


FIG. 7

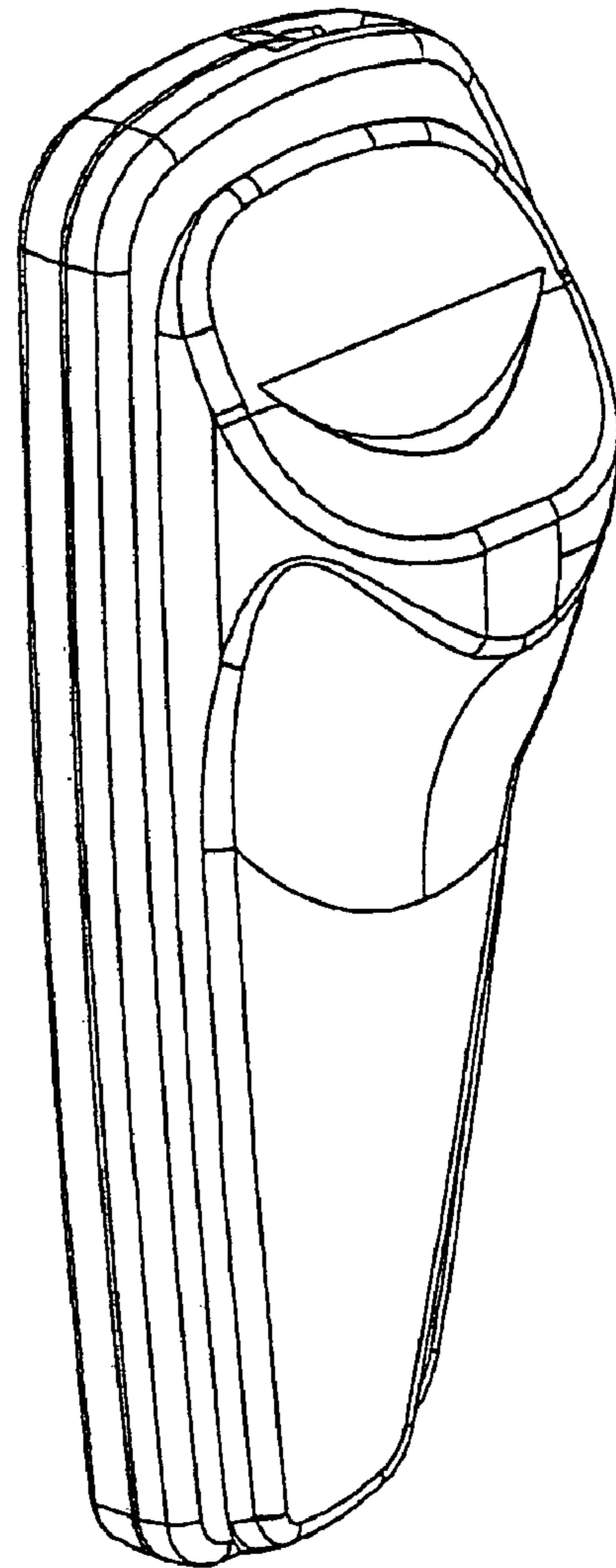


FIG. 8

FIG. 9

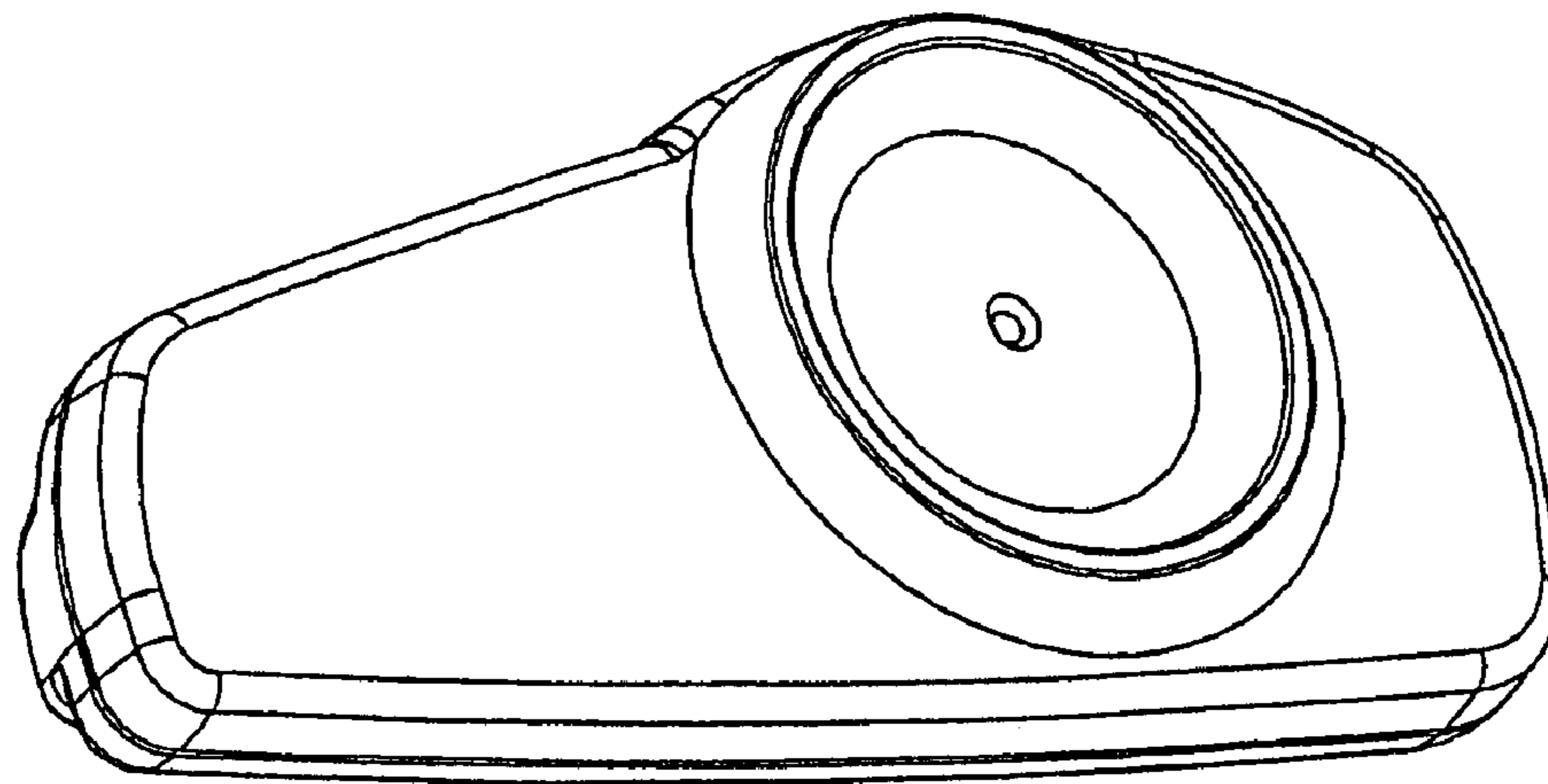
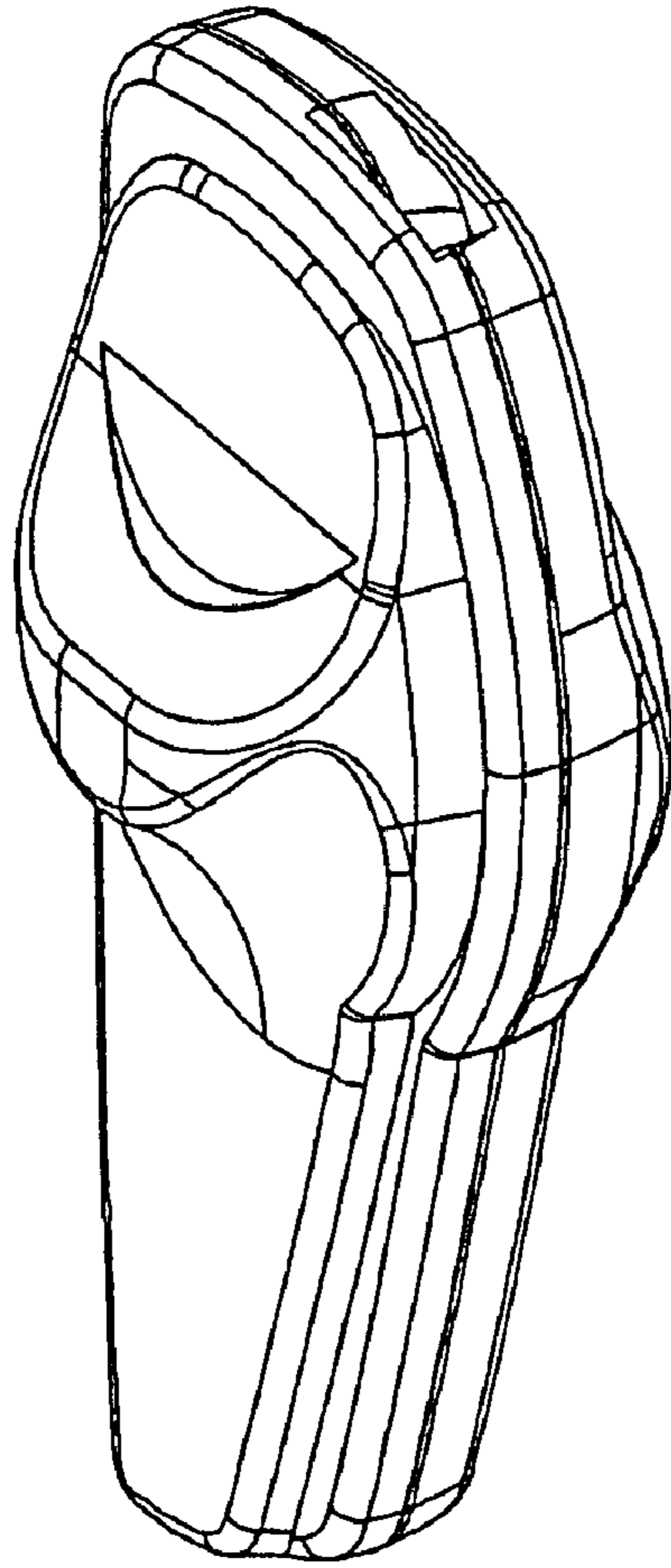


FIG. 10