

US00D559717S

(12) **United States Design Patent**  
**Hendey**

(10) **Patent No.:** **US D559,717 S**

(45) **Date of Patent:** **\*\* Jan. 15, 2008**

(54) **WATER METER**

6,931,946 B1 \* 8/2005 Hendey ..... 73/861.79  
7,204,157 B2 \* 4/2007 Furnidge et al. .... 73/861.19

(76) Inventor: **Arthur A. Hendey**, P.O. Box 427,  
Beaumont, CA (US) 92223

\* cited by examiner

(\*\*) Term: **14 Years**

*Primary Examiner*—Antoine D. Davis  
(74) *Attorney, Agent, or Firm*—Morland C. Fischer

(21) Appl. No.: **29/289,295**

(57) **CLAIM**

(22) Filed: **Jul. 16, 2007**

The ornamental design for a water meter, as shown and disclosed.

(51) **LOC (8) Cl.** ..... **10-04**

(52) **U.S. Cl.** ..... **D10/96; D10/99**

(58) **Field of Classification Search** ..... D10/96,  
D10/99; 73/195–203, 276, 264, 272–274,  
73/861.79, 861.77, 861.75, 861.33; 251/205,  
251/208

**DESCRIPTION**

See application file for complete search history.

FIG. 1 is a perspective view showing the top, left side and front of a water meter which forms my new design;

FIG. 2 is a left elevational view thereof;

FIG. 3 is a right side elevational view thereof;

FIG. 4 is a top plan view thereof;

FIG. 5 is a front elevational view thereof;

FIG. 6 is a bottom plan view thereof; and,

FIG. 7 is a rear elevational view thereof.

(56) **References Cited**

**U.S. PATENT DOCUMENTS**

D348,018 S \* 6/1994 Poleshuk et al. .... D10/99  
D349,661 S \* 8/1994 DeJarlais et al. .... D10/99  
5,339,686 A \* 8/1994 DeJarlais et al. .... 73/201  
6,345,541 B1 \* 2/2002 Hendey ..... 73/861.79  
D472,835 S \* 4/2003 Hendey ..... D10/99

**1 Claim, 3 Drawing Sheets**

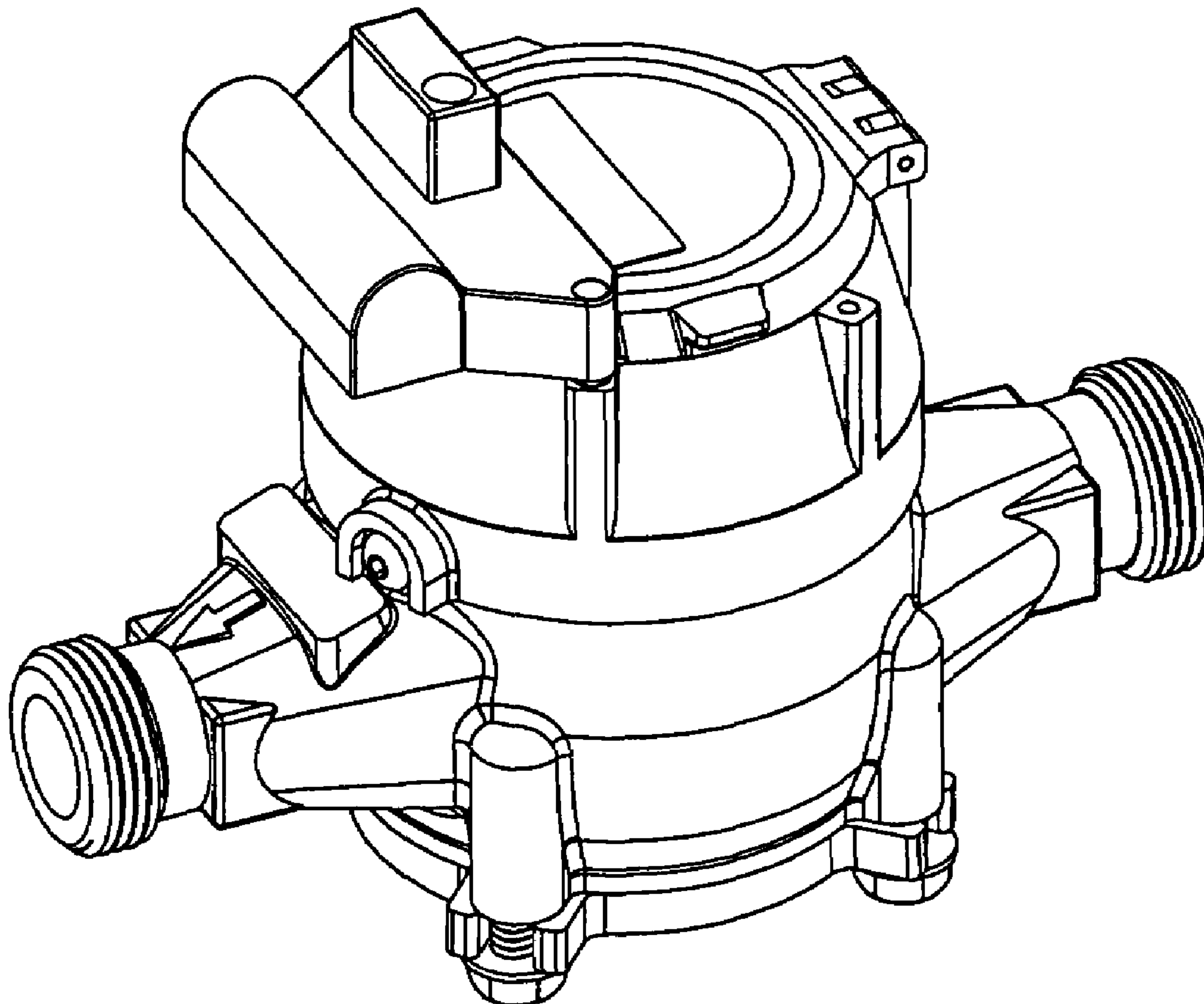


FIG. 1

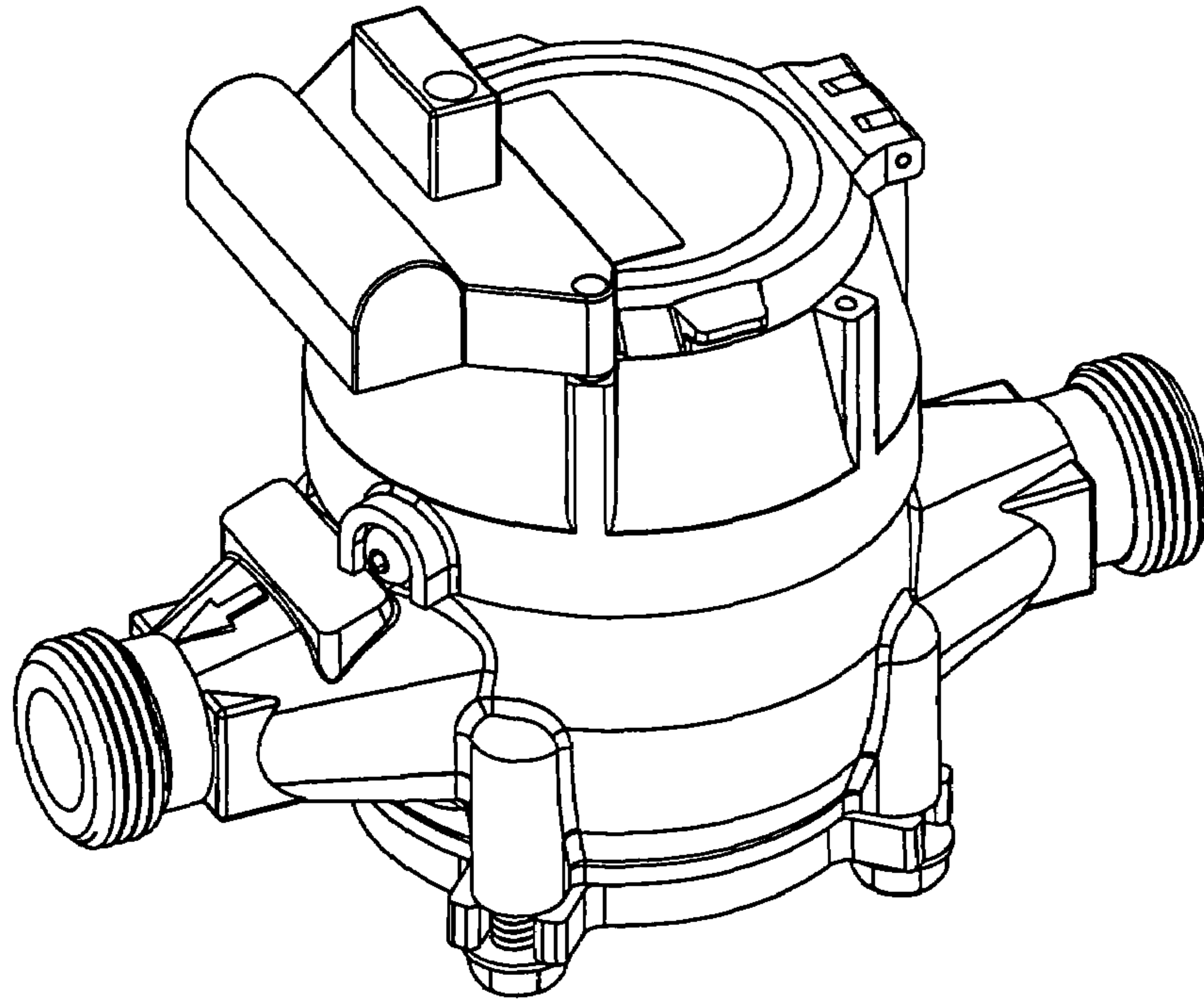


FIG. 2

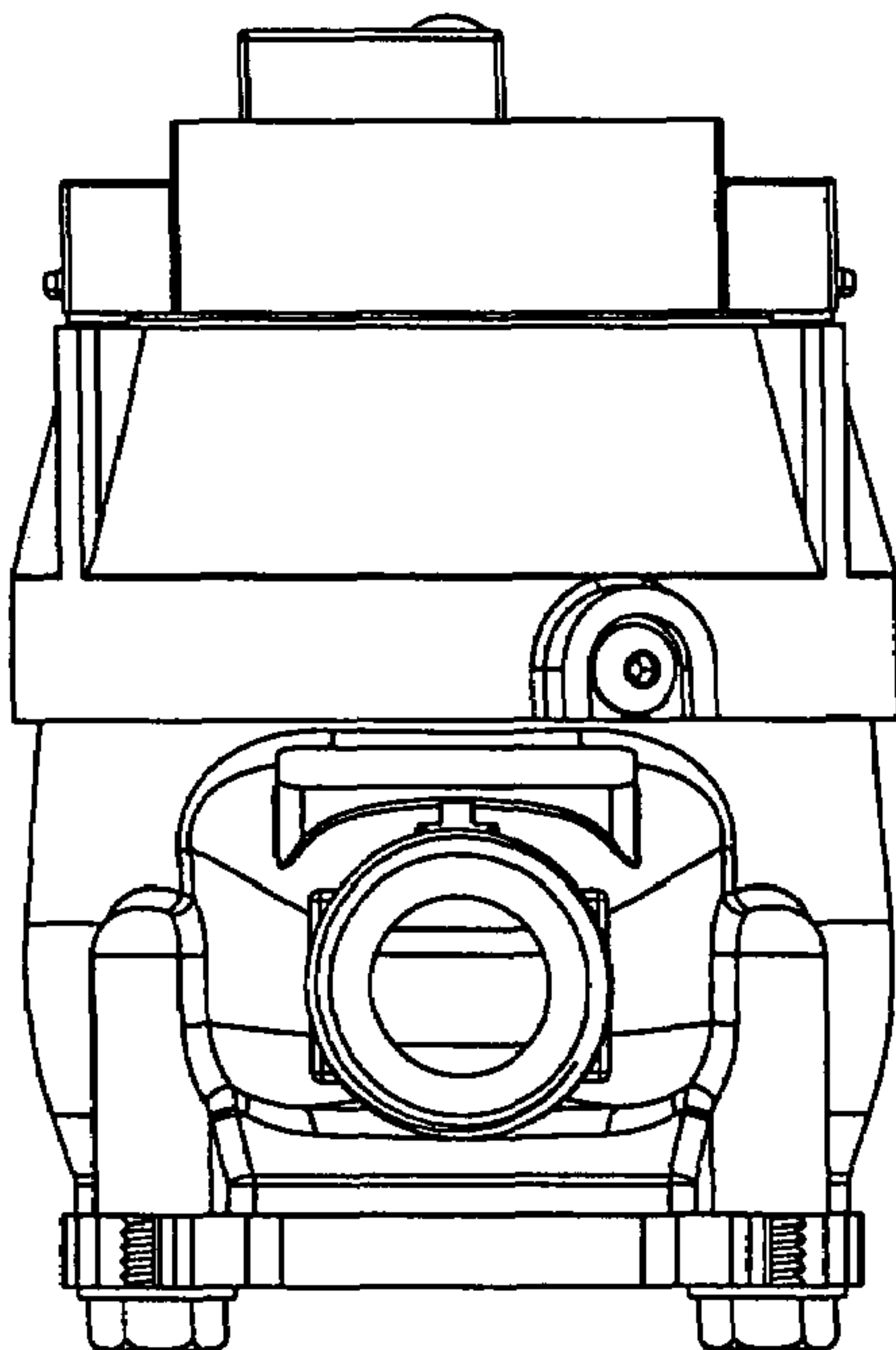


FIG. 3

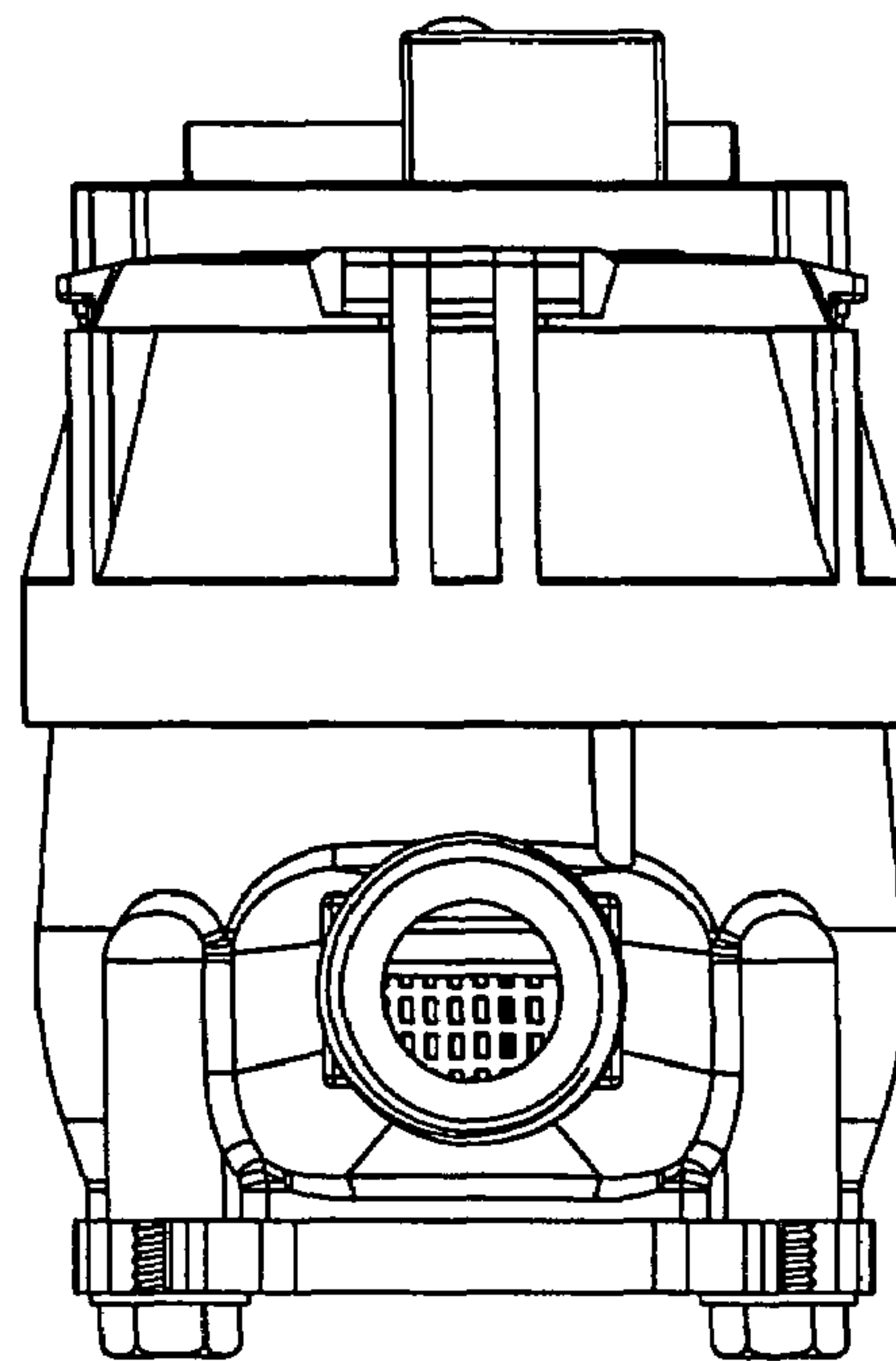


FIG. 4

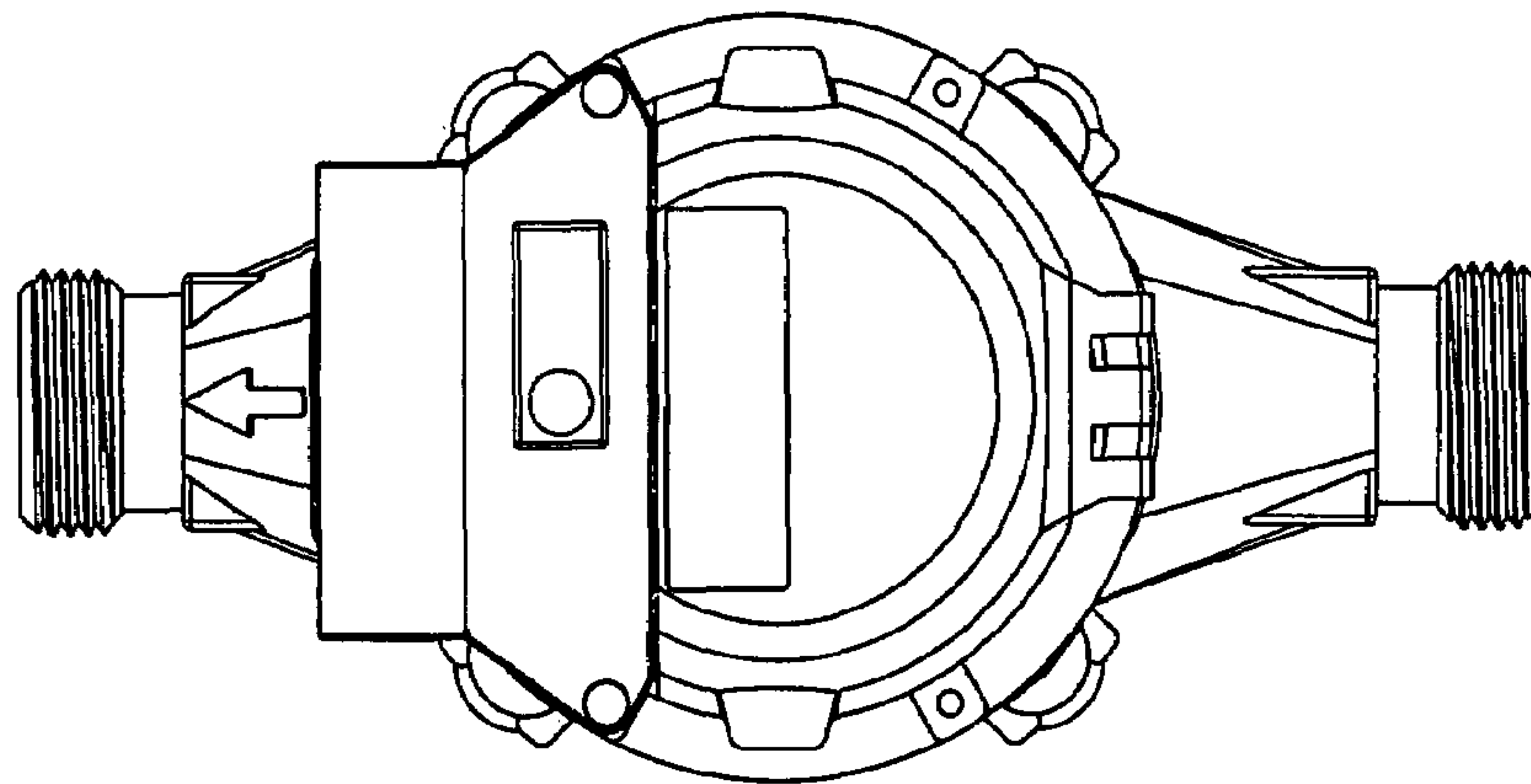


FIG. 5

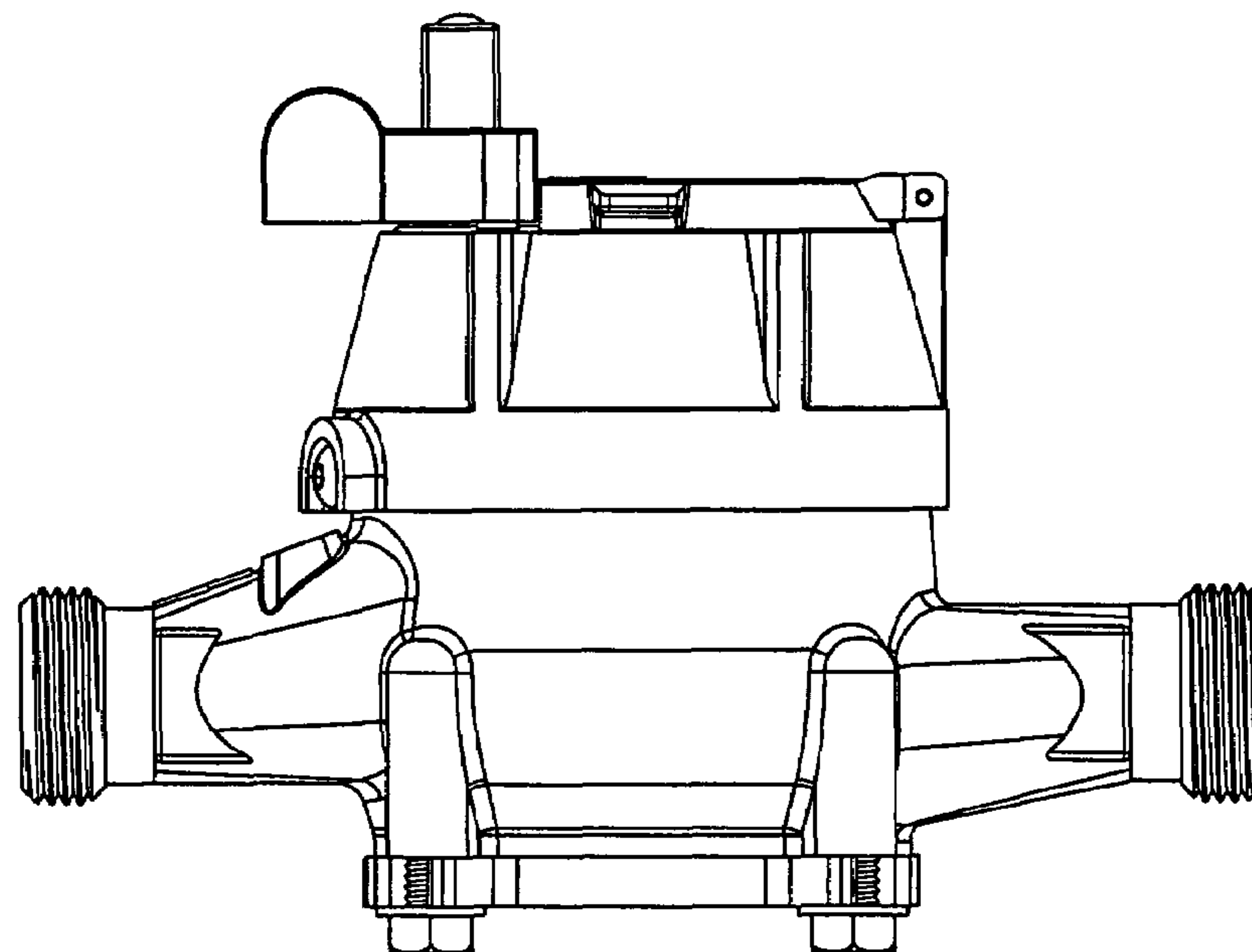


FIG. 6

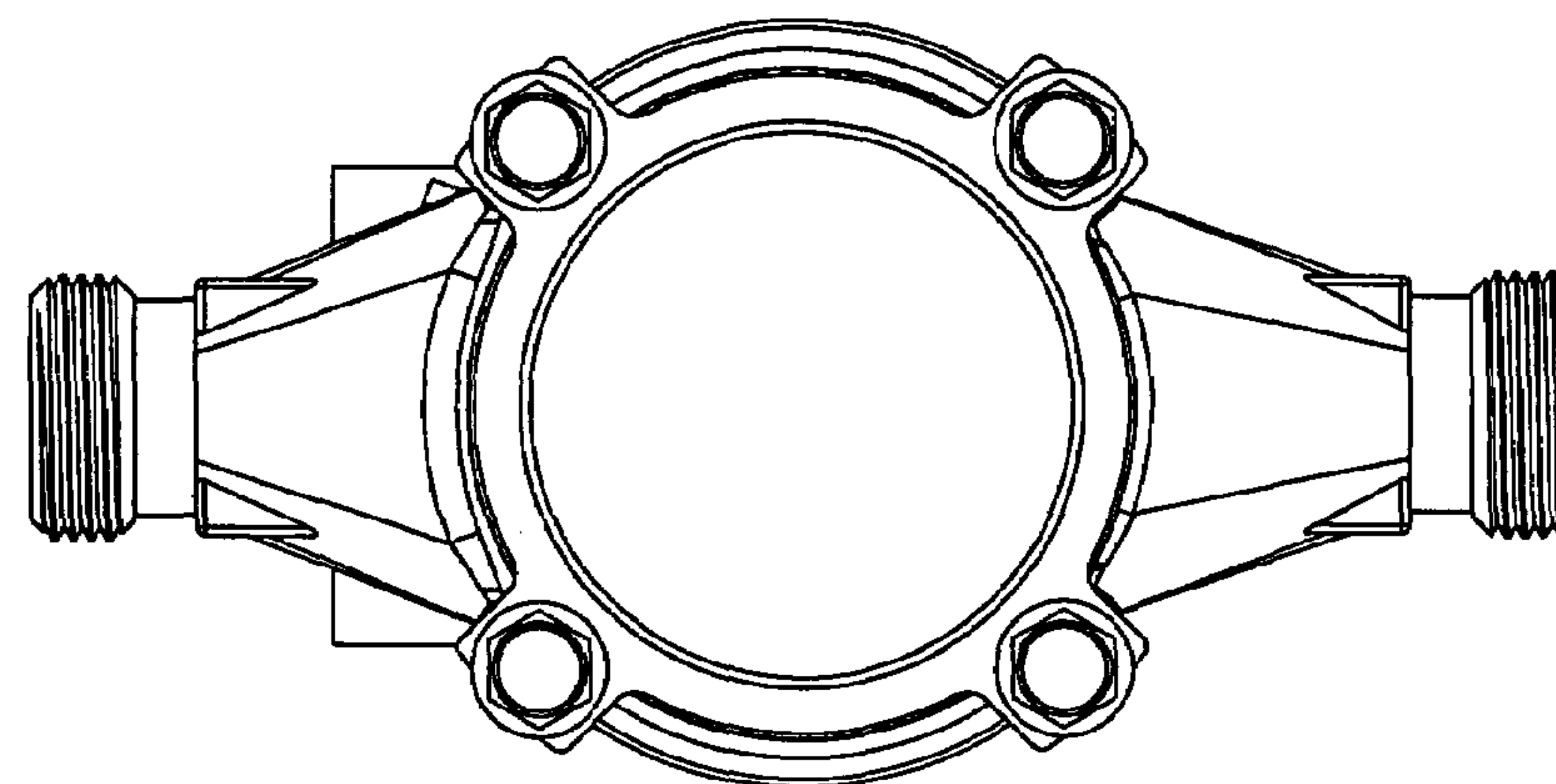


FIG. 7

