



US00D559716S

(12) **United States Design Patent**  
**Barmettler et al.**

(10) **Patent No.:** **US D559,716 S**  
(45) **Date of Patent:** **\*\* Jan. 15, 2008**

(54) **PRESSURE MEASUREMENT CARTRIDGE  
FOR A LOW AND VACUUM PRESSURE GAS  
PRESSURE GAGE**

*Primary Examiner*—Antoine D. Davis  
(74) *Attorney, Agent, or Firm*—W. Norman Roth

(75) Inventors: **Peter Barmettler**, Hunenberg (CH);  
**Andreas Arnold**, Hitzkirch (CH); **Kurt  
Grunder**, Burg (CH)

(57) **CLAIM**

The ornamental design for a pressure measurement cartridge  
for a low and vacuum pressure gas pressure gage, as shown.

(73) Assignee: **WIKA Alexander Wiegand GmbH &  
Co. KG**, Main (DE)

**DESCRIPTION**

(\*\*) Term: **14 Years**

FIG. 1 is a perspective view showing the front of our new  
design;

(21) Appl. No.: **29/233,498**

FIG. 2 is a perspective view showing the rear of our new  
design;

(22) Filed: **Jul. 1, 2005**

FIG. 3 is a right side elevation view of our new design;

(51) **LOC (8) Cl.** ..... **10-04**

FIG. 4 is a left side elevation view of our new design;

(52) **U.S. Cl.** ..... **D10/85**

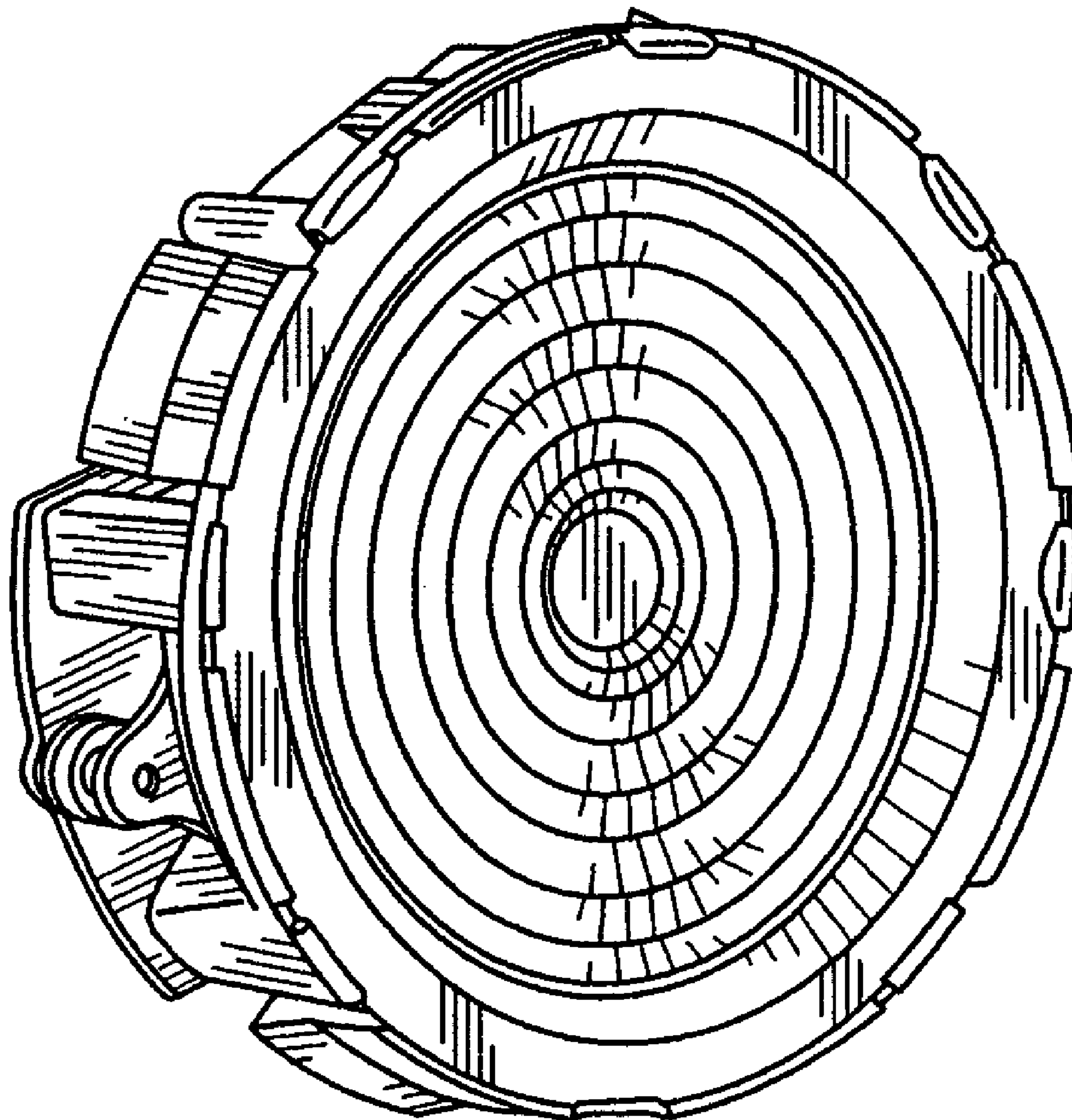
(58) **Field of Classification Search** ..... D10/85;  
73/715-722, 431, 732-733; 200/83, 83 B,  
200/83 C, 83 L; 324/110-116, 119

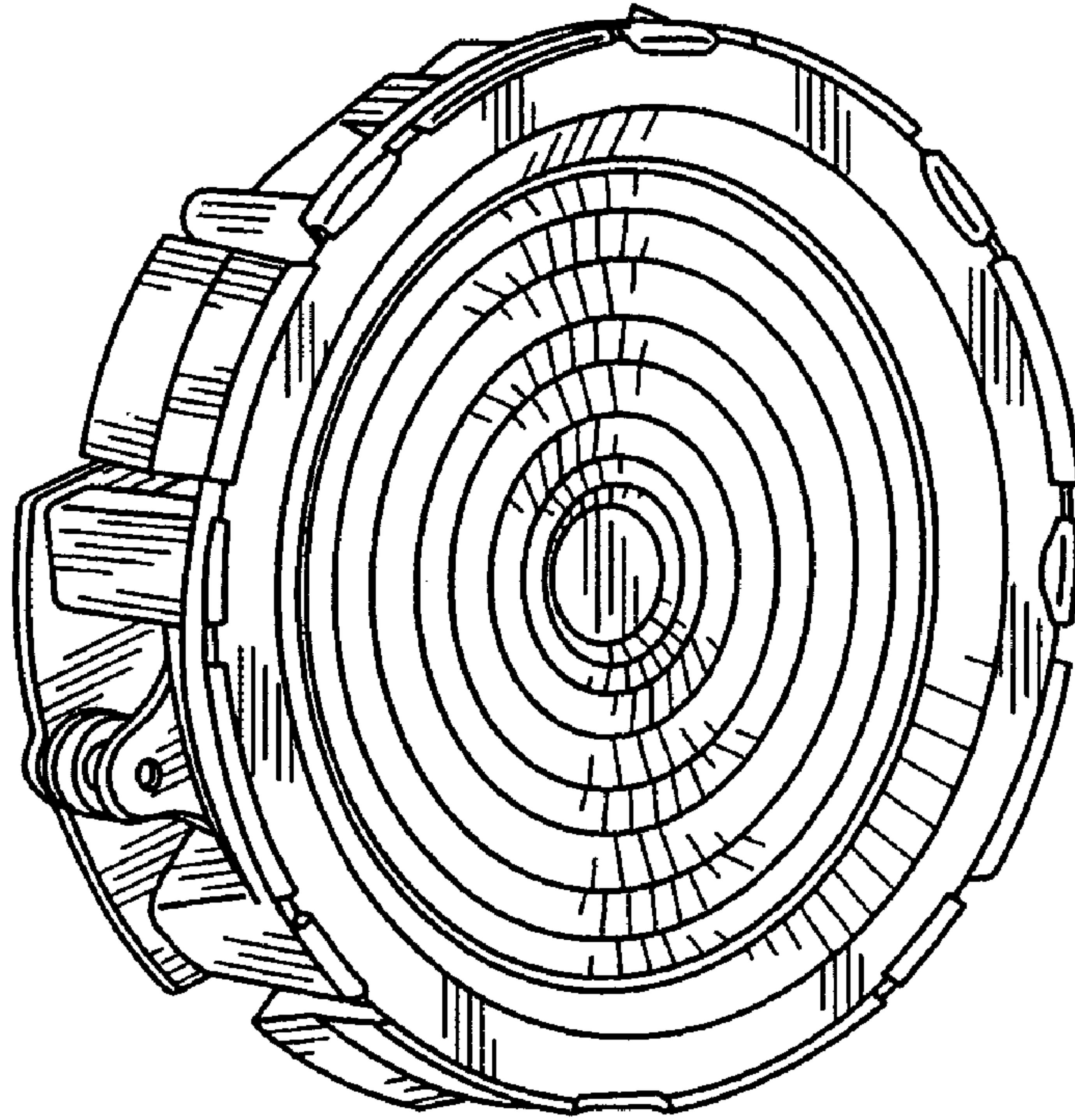
FIG. 5 is a top view of our new design; and,

FIG. 6 is a bottom plan view of our new design.

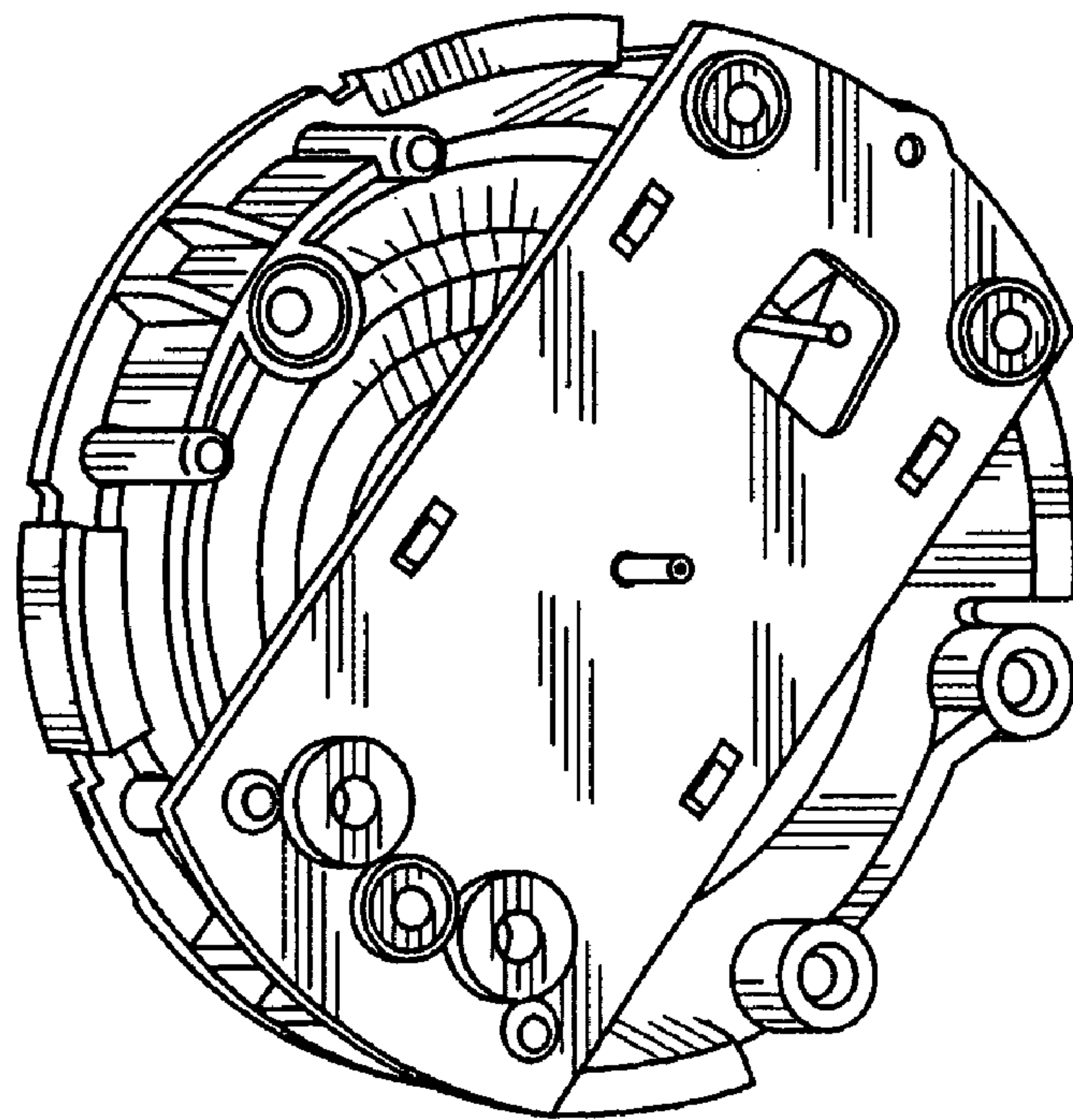
See application file for complete search history.

**1 Claim, 3 Drawing Sheets**

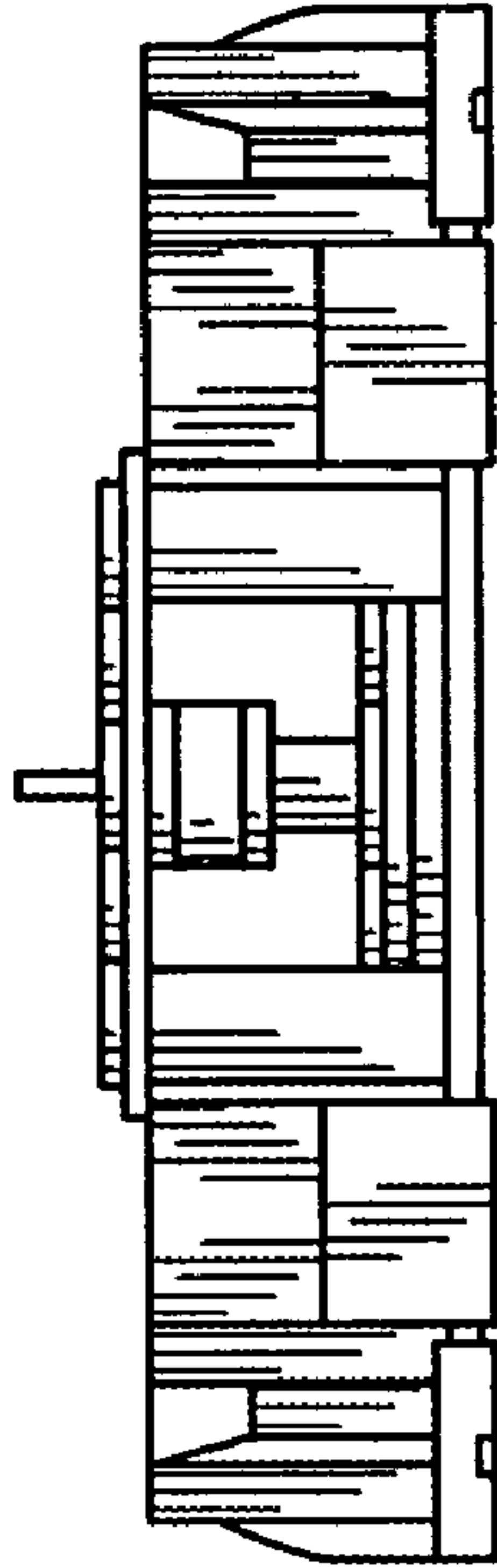




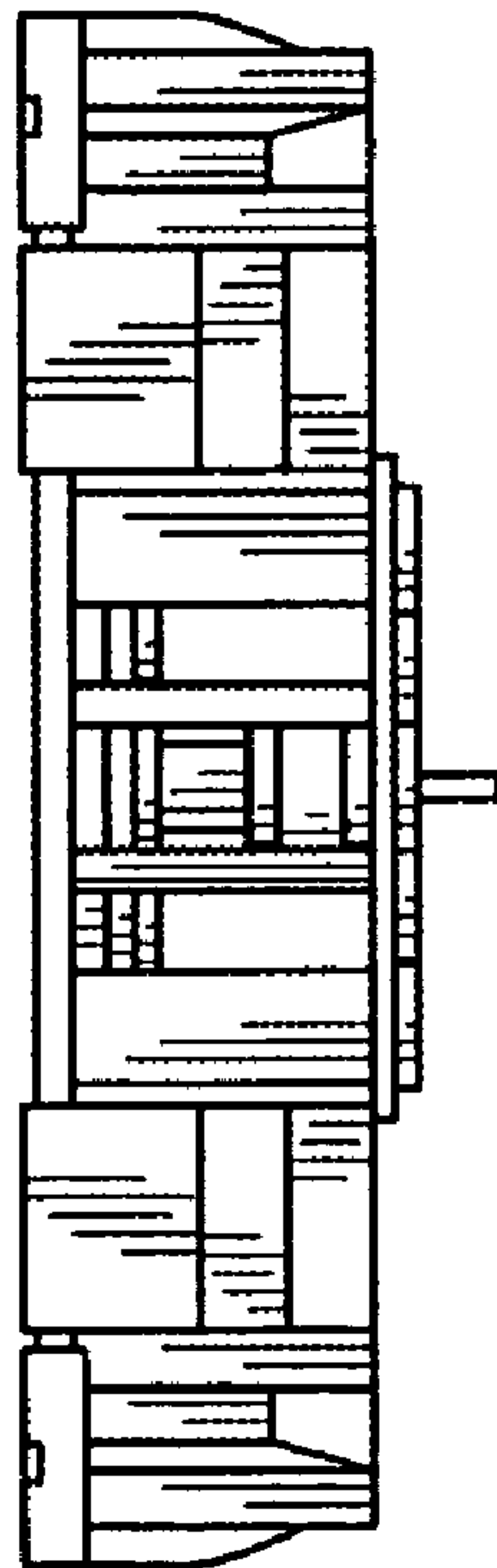
**FIG. 1**



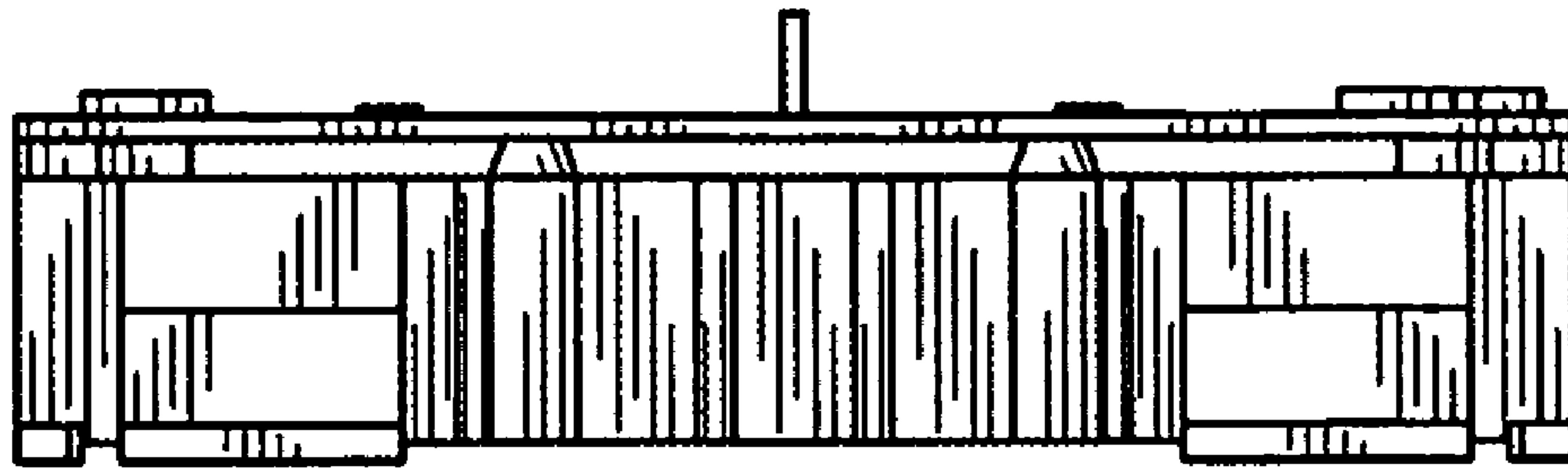
**FIG. 2**



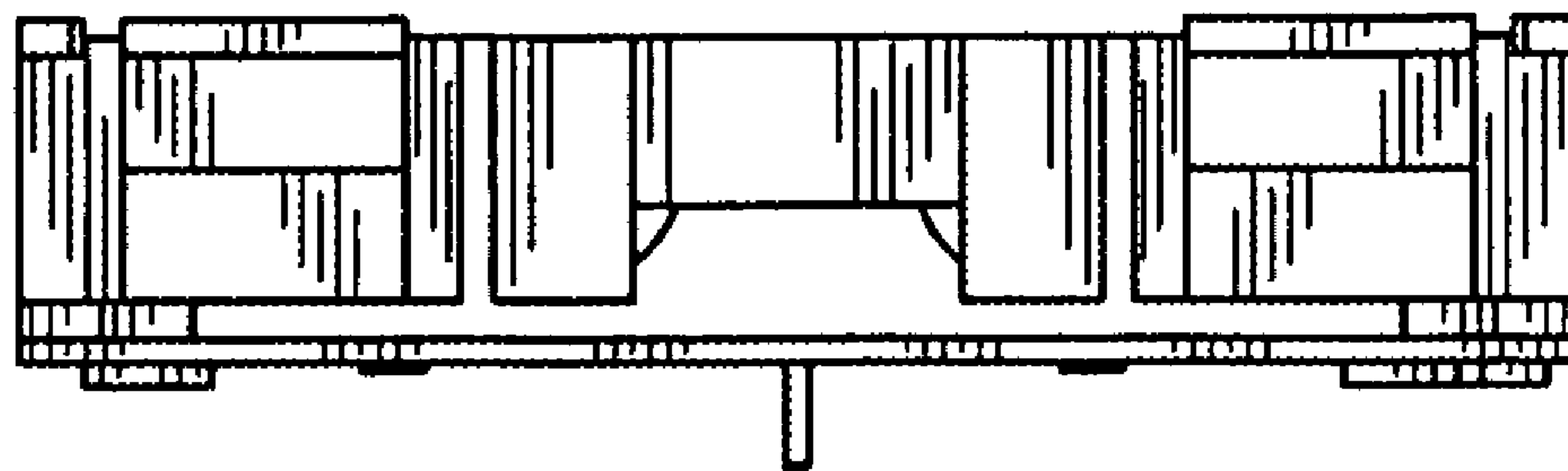
**FIG. 3**



**FIG. 4**



**FIG. 5**



**FIG. 6**