



US00D559713S

(12) **United States Design Patent**
Stefanko

(10) **Patent No.:** **US D559,713 S**

(45) **Date of Patent:** **** Jan. 15, 2008**

(54) **WAVE CONFIGURATION FOR THE WEB OF A LEVEL FRAME**

D537,000 S * 2/2007 Kim D10/69

* cited by examiner

(75) Inventor: **John M. Stefanko**, Brookfield, WI (US)

Primary Examiner—Antoine D. Davis

(74) *Attorney, Agent, or Firm*—Boyle Fredrickson, S.C.

(73) Assignee: **Johnson Level & Tool Mfg. Co., Inc.**, Mequon, WI (US)

(57) **CLAIM**

(**) Term: **14 Years**

A wave configuration for the web of a level frame, as shown and described.

(21) Appl. No.: **29/249,880**

DESCRIPTION

(22) Filed: **Oct. 25, 2006**

(51) **LOC (8) Cl.** **10-04**

FIG. 1 is an isometric view of a level incorporating a web incorporating my new design, wherein the phantom lines indicate environment and form no part of the claimed design and wherein the break lines indicate indeterminate length;

(52) **U.S. Cl.** **D10/74; D10/69**

FIG. 2 is a side elevation view thereof;

(58) **Field of Classification Search** D10/69,

FIG. 3 is a top plan view thereof;

D10/74; 33/365, 366.11–366.27, 367–391
See application file for complete search history.

FIG. 4 is a bottom plan view thereof;

(56) **References Cited**

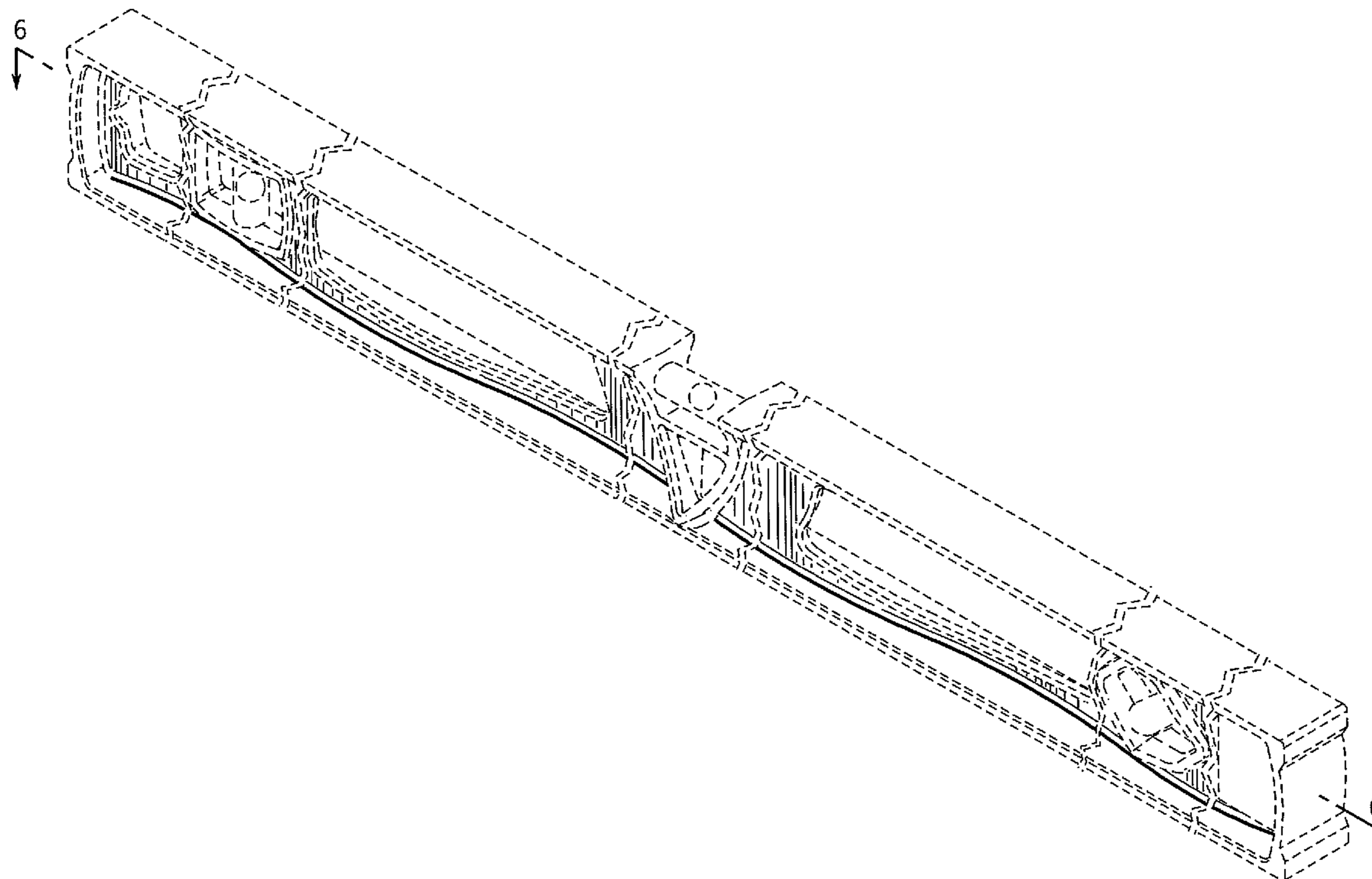
FIG. 5 is an end elevation view thereof; and,

U.S. PATENT DOCUMENTS

FIG. 6 is a section view thereof, with reference to line 6—6 of FIG. 1.

- D315,521 S * 3/1991 Greenland D10/69
- D348,619 S * 7/1994 Hansen D10/69
- D360,371 S * 7/1995 O'Hare et al. D10/69

1 Claim, 3 Drawing Sheets



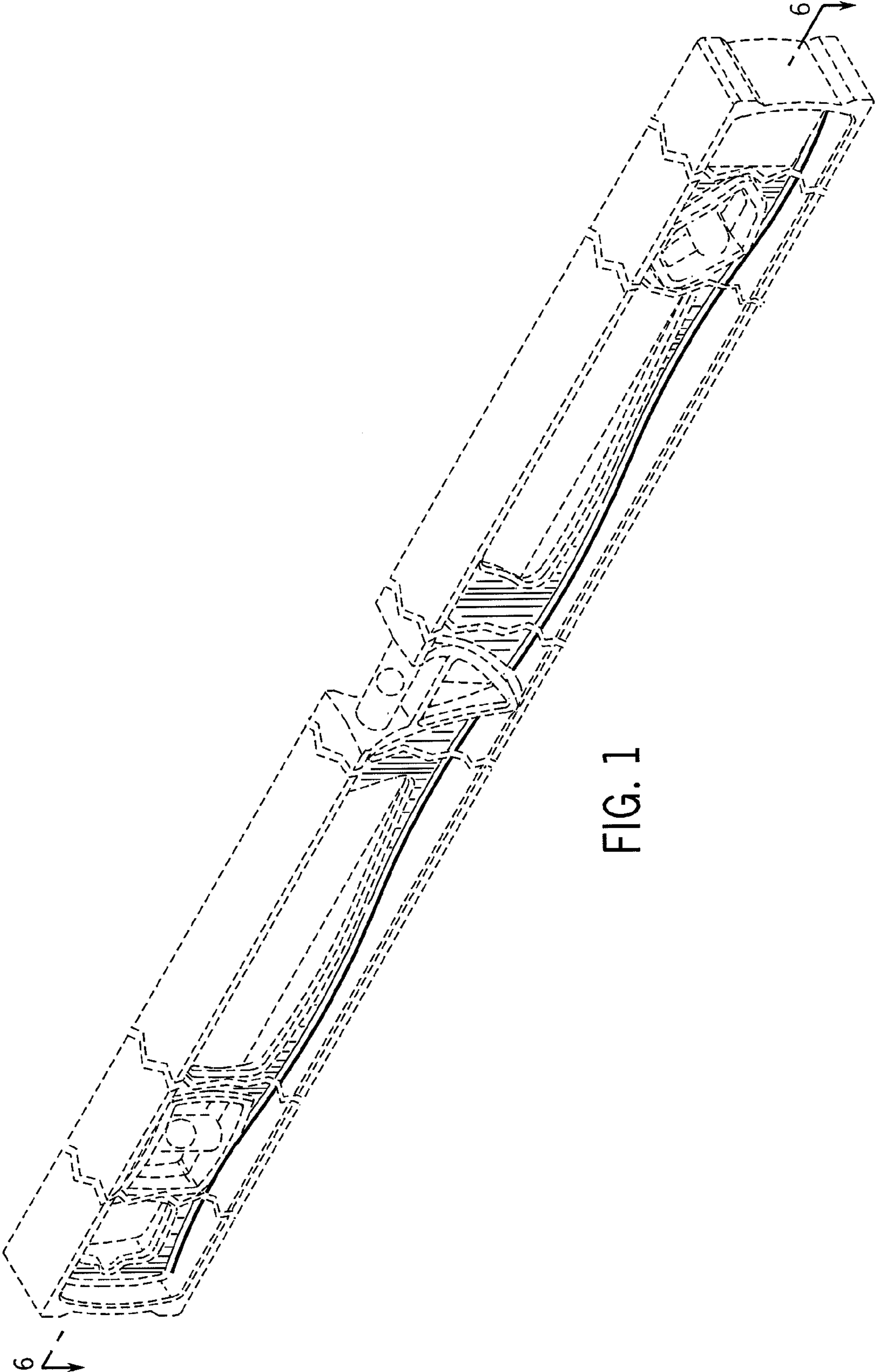


FIG. 1

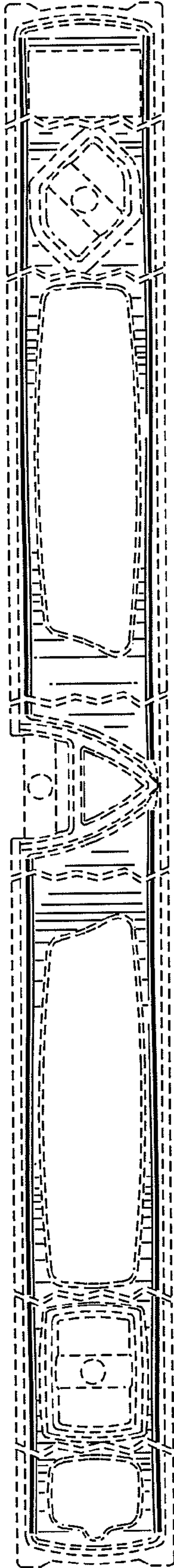


FIG. 2

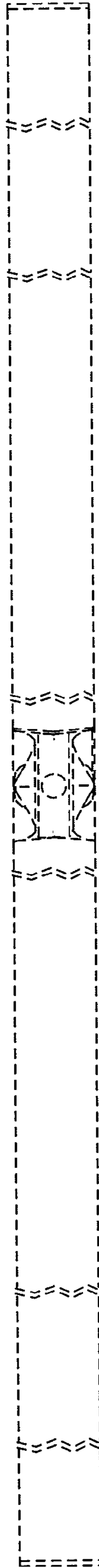


FIG. 3

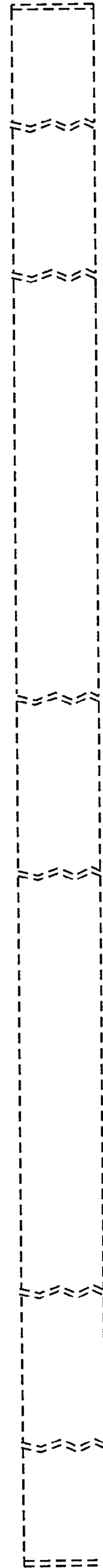


FIG. 4

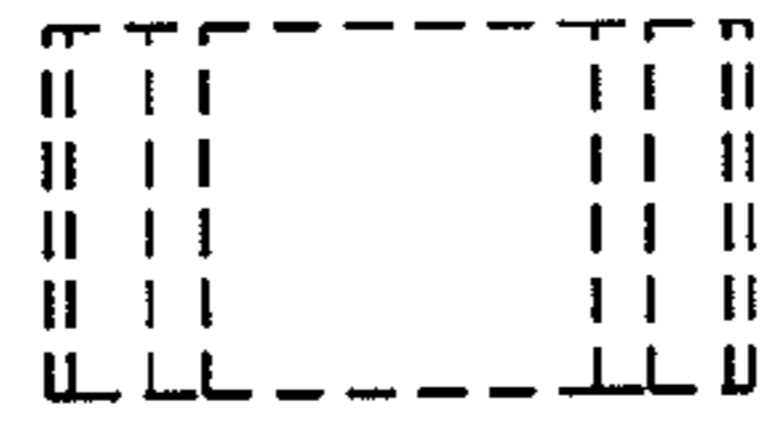


FIG. 5

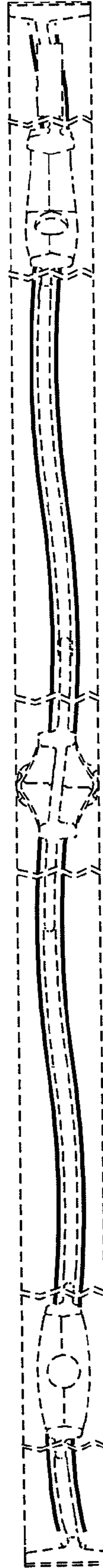


FIG. 6