



US00D559712S

(12) **United States Design Patent**
Critelli

(10) **Patent No.:** **US D559,712 S**
(45) **Date of Patent:** **** Jan. 15, 2008**

(54) **TAPE CASE**

(75) Inventor: **James M. Critelli**, Fuquay-Varina, NC
(US)

(73) Assignee: **Cooper Brands, Inc.**, Houston, TX
(US)

(**) Term: **14 Years**

(21) Appl. No.: **29/260,935**

(22) Filed: **Jun. 5, 2006**

(51) **LOC (8) Cl.** **10-04**

(52) **U.S. Cl.** **D10/72**

(58) **Field of Classification Search** D10/72;
33/755-771; 242/381.3, 384.7, 379, 405
See application file for complete search history.

(56) **References Cited**

U.S. PATENT DOCUMENTS

D415,047 S	*	10/1999	Hsu	D10/72
D418,435 S	*	1/2000	Hsu	D10/72
D449,546 S	*	10/2001	Lee	D10/72
D487,875 S	*	3/2004	Wang	D10/72
D489,631 S	*	5/2004	Lin	D10/72

OTHER PUBLICATIONS

Workforce Color Rules Designer Locking Tape Measure (Model IC-5019CS), available prior to Jun. 5, 2005 (4 pages of color photographs).

* cited by examiner

Primary Examiner—Antoine D. Davis

(74) *Attorney, Agent, or Firm*—SAIDMAN DesignLaw Group

(57) **CLAIM**

The ornamental design for a tape case, as shown and described.

DESCRIPTION

FIG. 1 is a perspective view of a tape case showing my new design;

FIG. 2 is a front view thereof;

FIG. 3 is a back view thereof;

FIG. 4 is a left side view thereof;

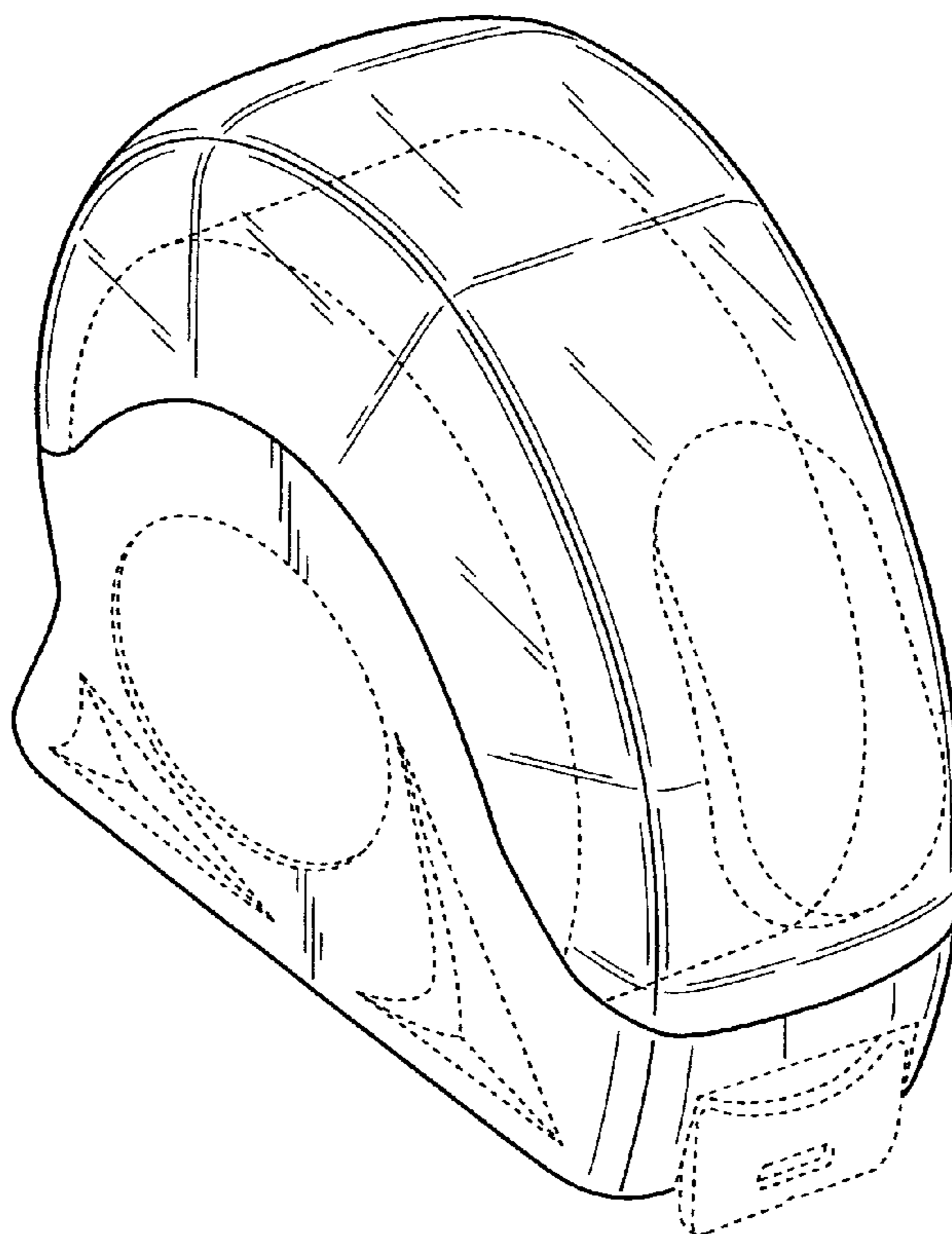
FIG. 5 is a right side view thereof;

FIG. 6 is a top view thereof; and,

FIG. 7 is a bottom view thereof.

The broken lines are environmental and form no part of the claimed design.

1 Claim, 4 Drawing Sheets



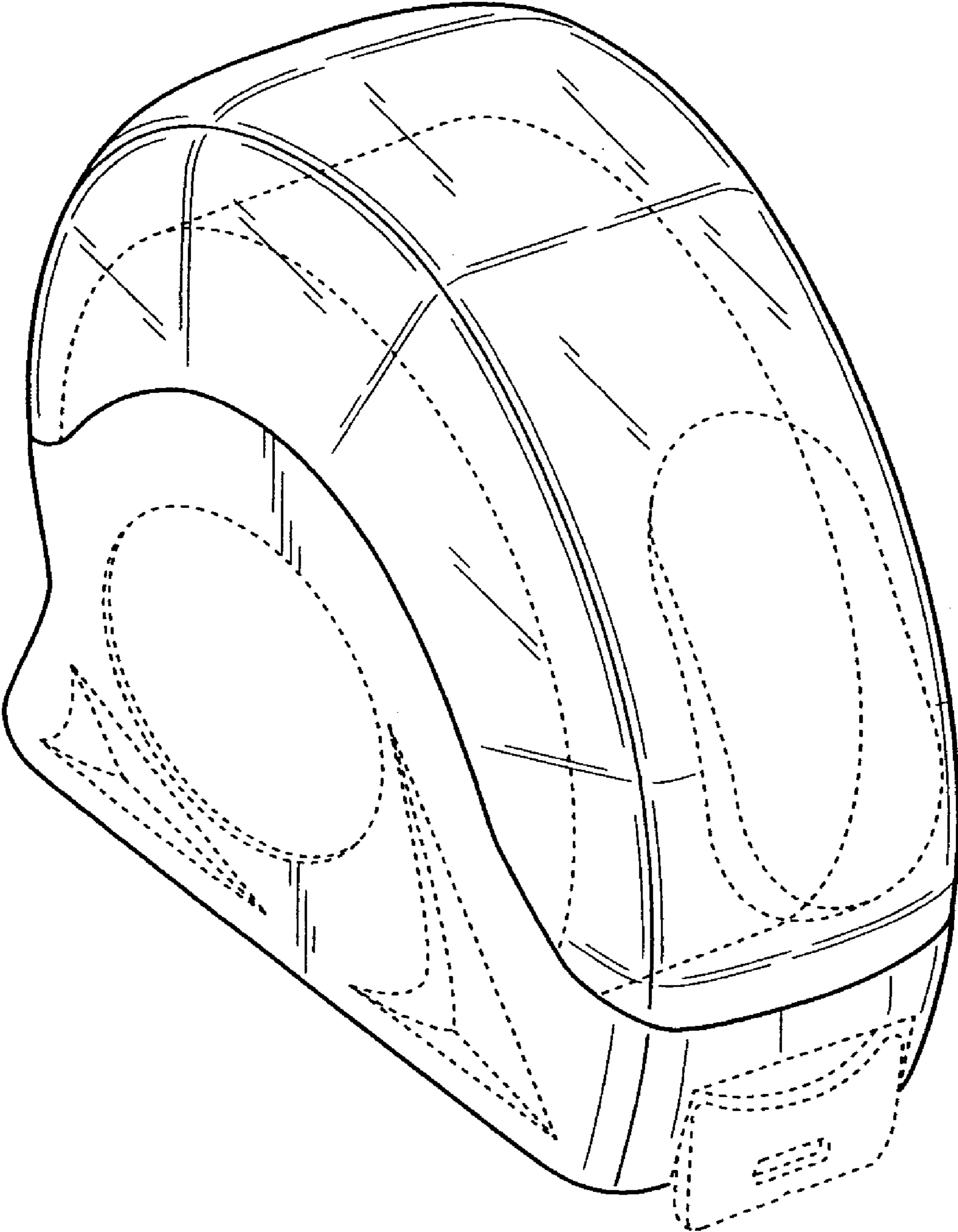


Fig. 1

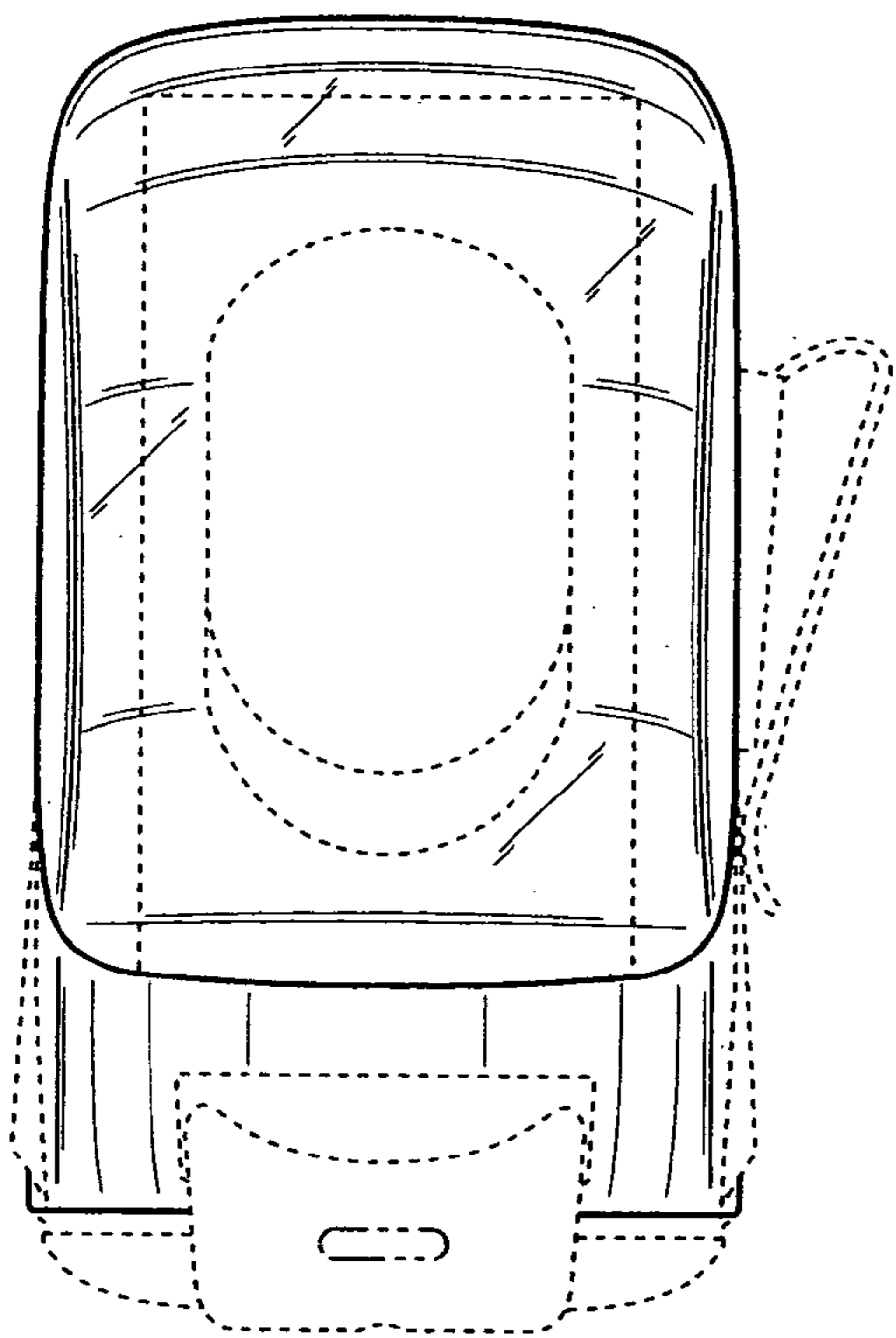


Fig. 2

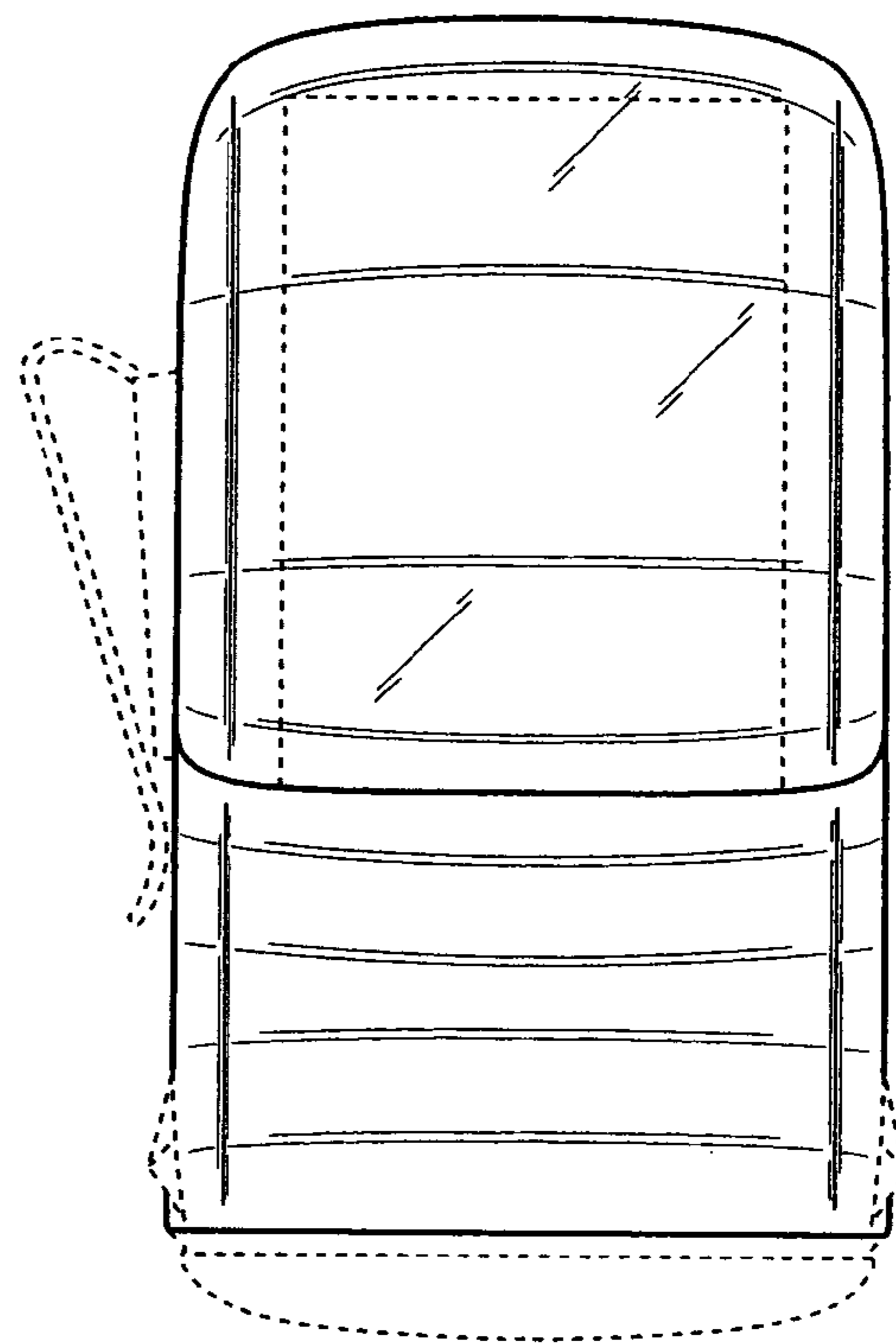


Fig. 3

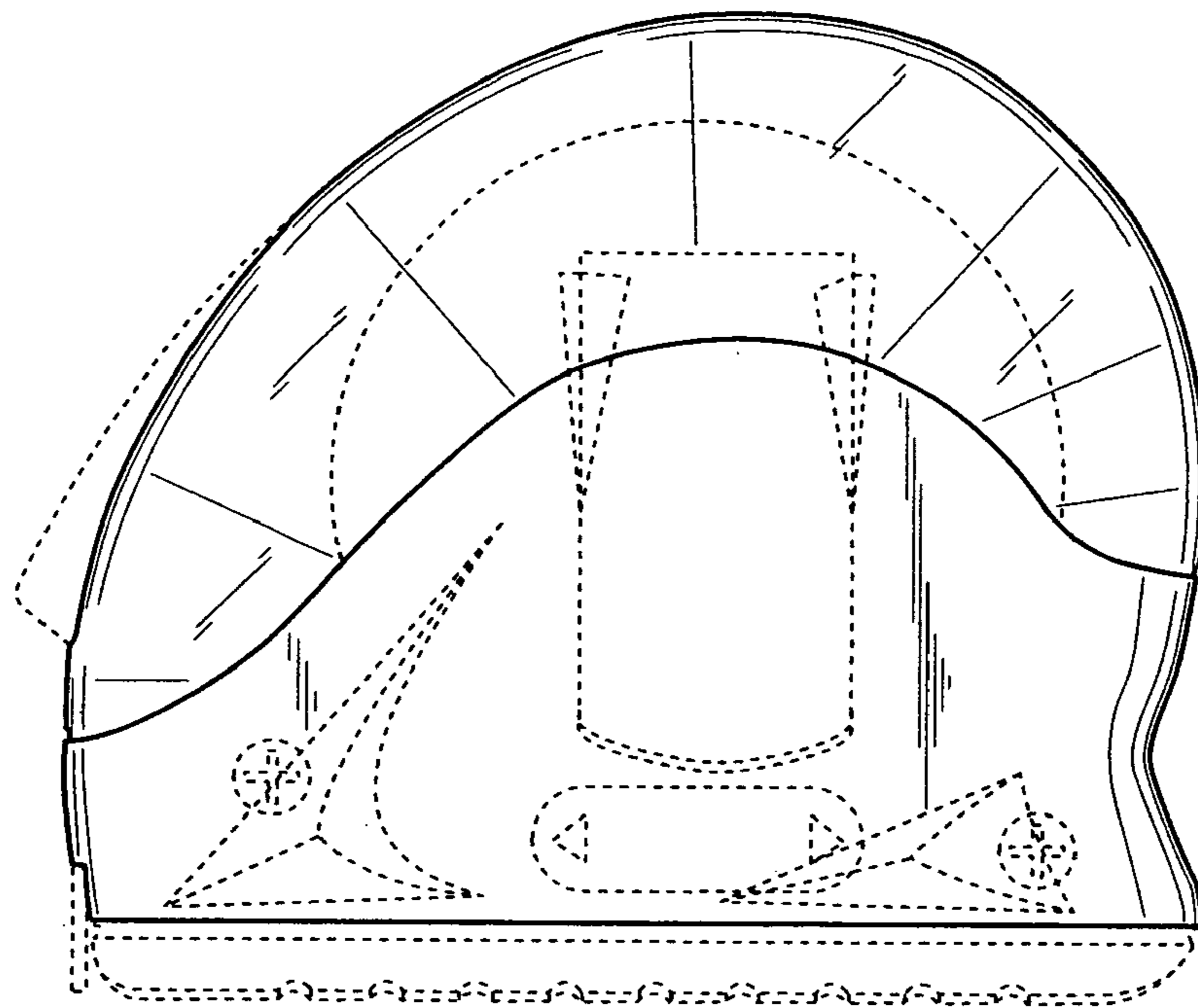


Fig. 4

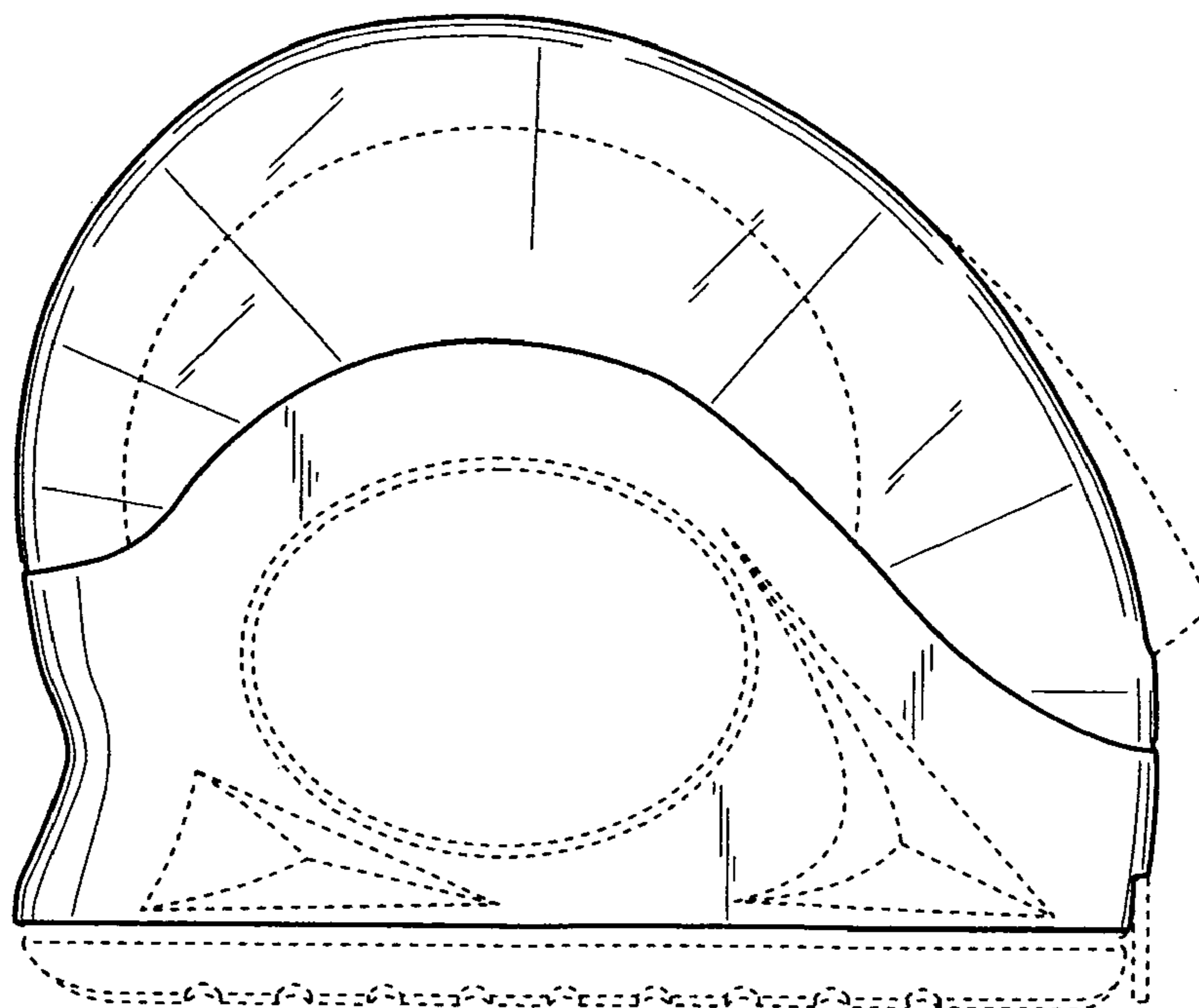


Fig. 5

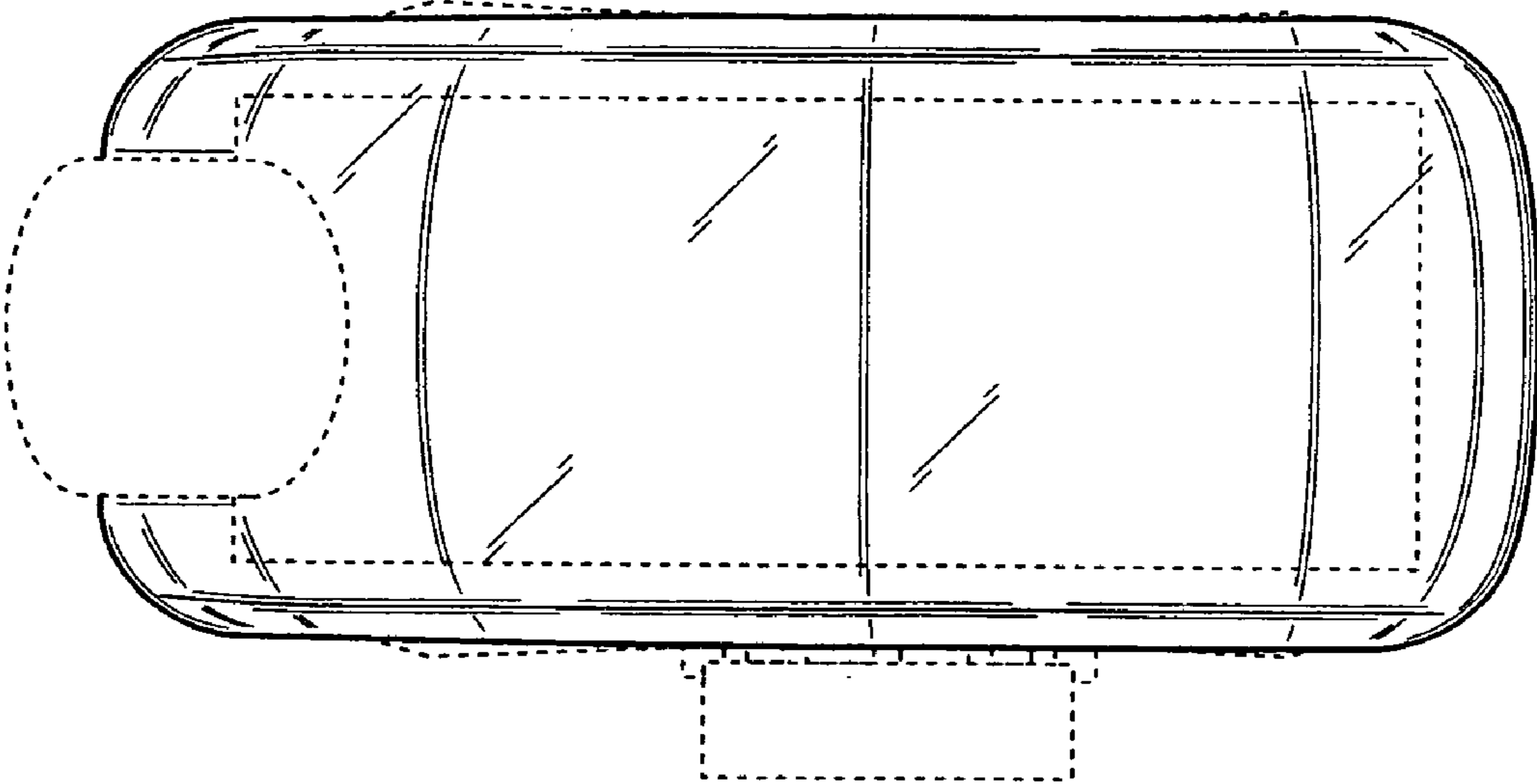


Fig. 6

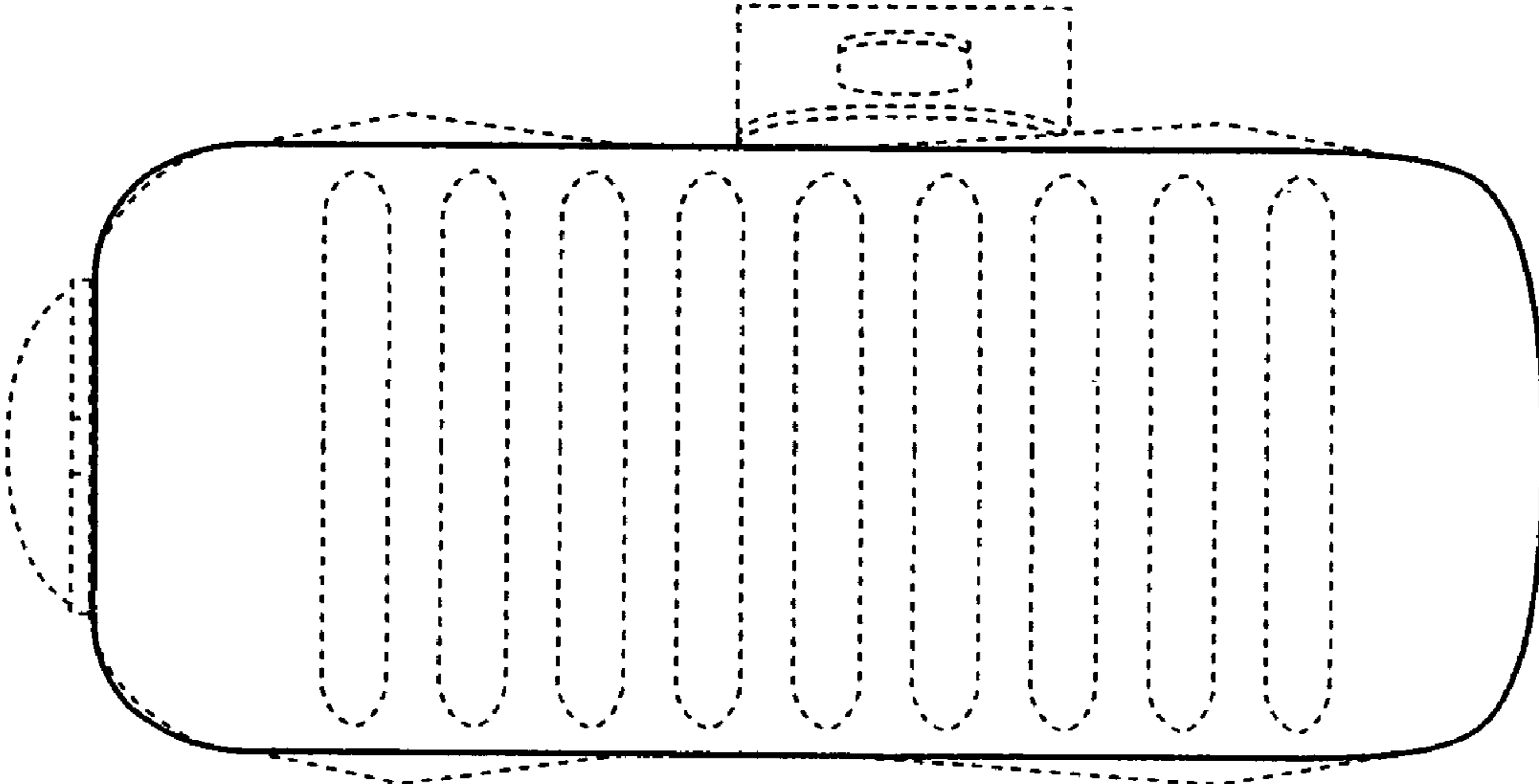


Fig. 7