



US00D559711S

(12) **United States Design Patent**
Chan

(10) **Patent No.:** **US D559,711 S**
(45) **Date of Patent:** **** Jan. 15, 2008**

(54) **WEATHER HUB**

(75) Inventor: **Raymond Chan**, Hong Kong (HK)

(73) Assignee: **IDT Technology Limited**, Kowloon,
Hong Kong (CN)

(**) Term: **14 Years**

(21) Appl. No.: **29/267,728**

(22) Filed: **Oct. 20, 2006**

(51) **LOC (8) Cl.** **10-04**

(52) **U.S. Cl.** **D10/53**

(58) **Field of Classification Search** D10/51-56;
68/10; 73/170.16; 368/10, 73, 223, 251,
368/63, 82, 11; 340/539, 601; 374/162,
374/201, 202, 208, 209

See application file for complete search history.

(56) **References Cited**

U.S. PATENT DOCUMENTS

D498,149 S * 11/2004 Chan D10/53

* cited by examiner

Primary Examiner—Antoine D. Davis

(74) *Attorney, Agent, or Firm*—Alix, Yale & Ristas, LLP

(57) **CLAIM**

The ornamental design for a weather hub, as shown and described.

DESCRIPTION

FIG. 1 is a front elevational view of a weather hub showing my new design;

FIG. 2 is a rear elevational view thereof;

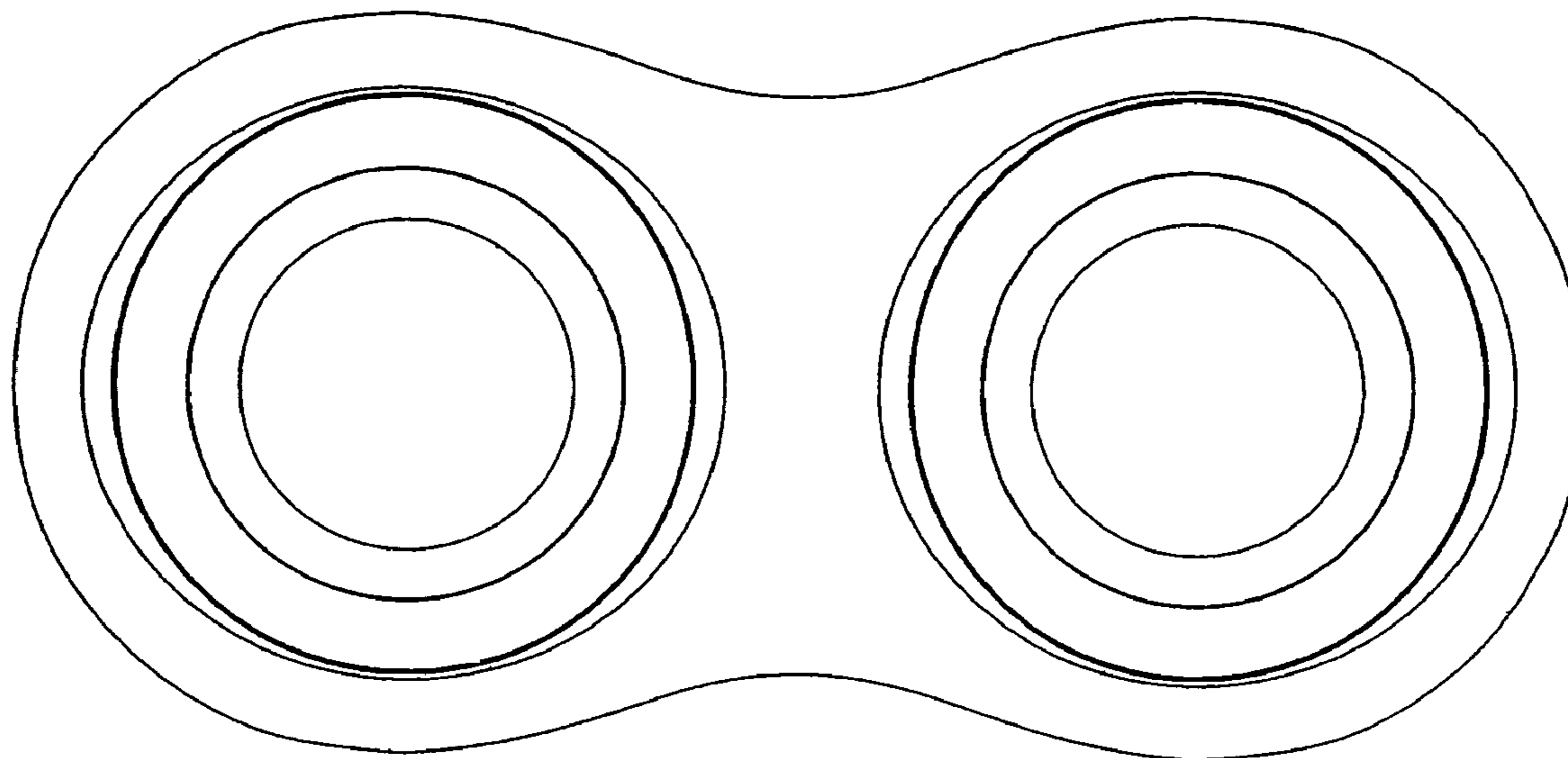
FIG. 3 is a left side elevational view thereof;

FIG. 4 is a right side elevational view thereof;

FIG. 5 is a top plan view thereof; and,

FIG. 6 is a bottom plan view thereof.

1 Claim, 3 Drawing Sheets



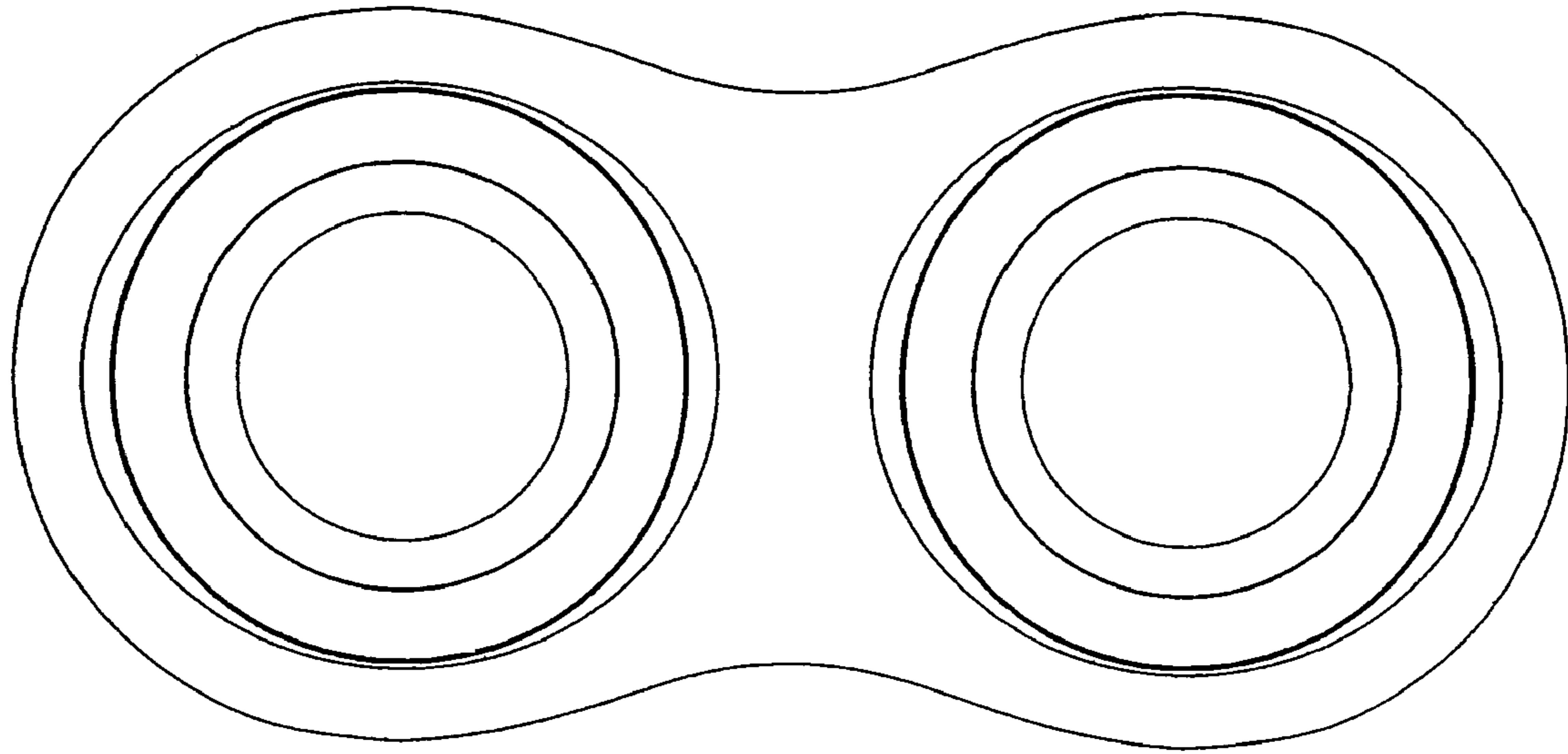


FIG. 1

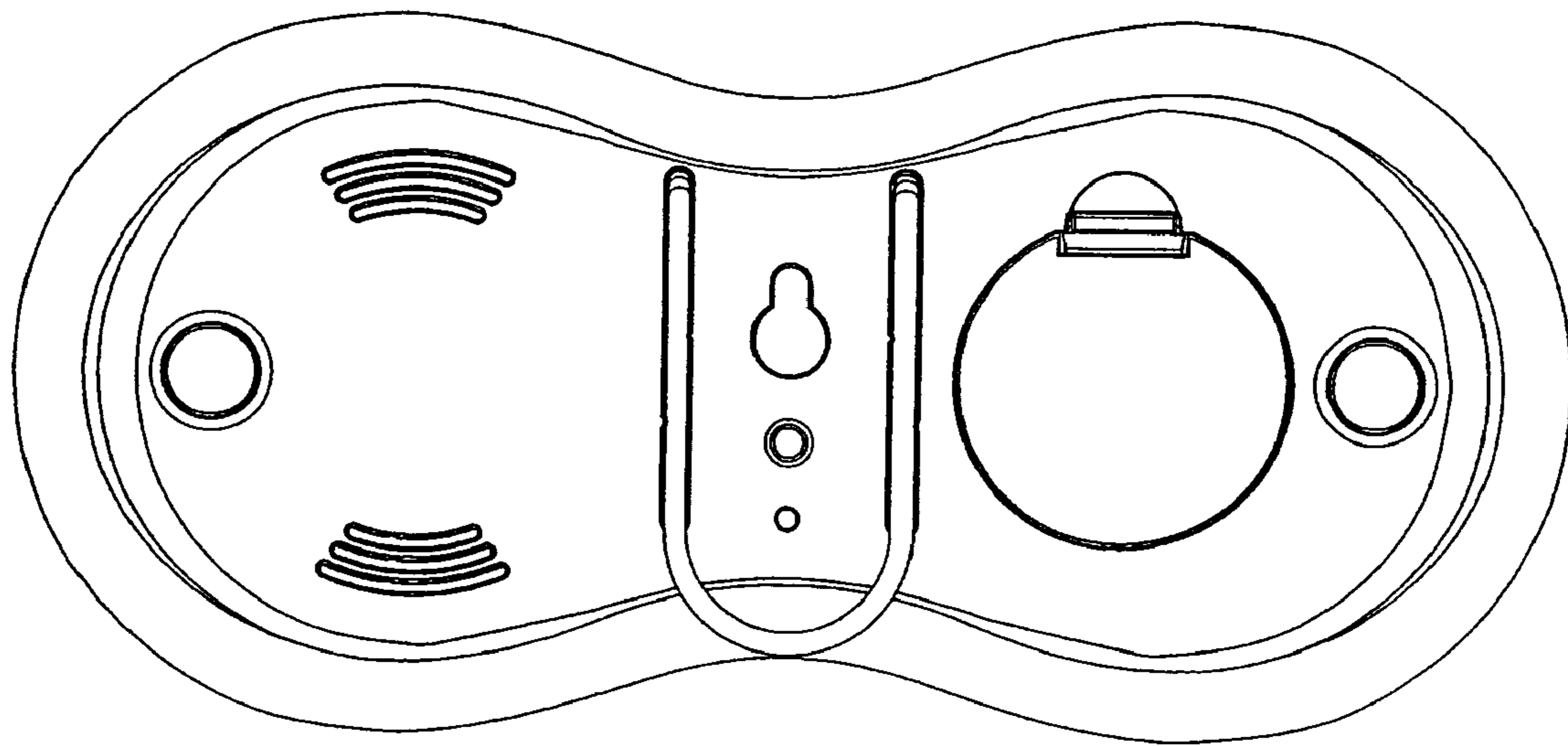


FIG. 2

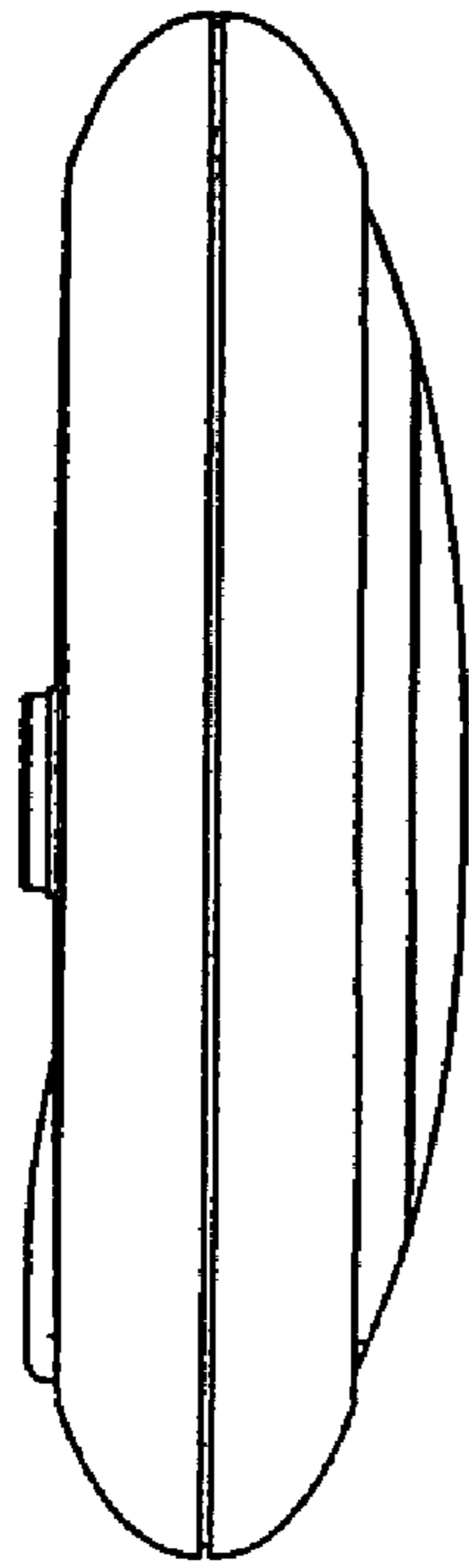


FIG. 3

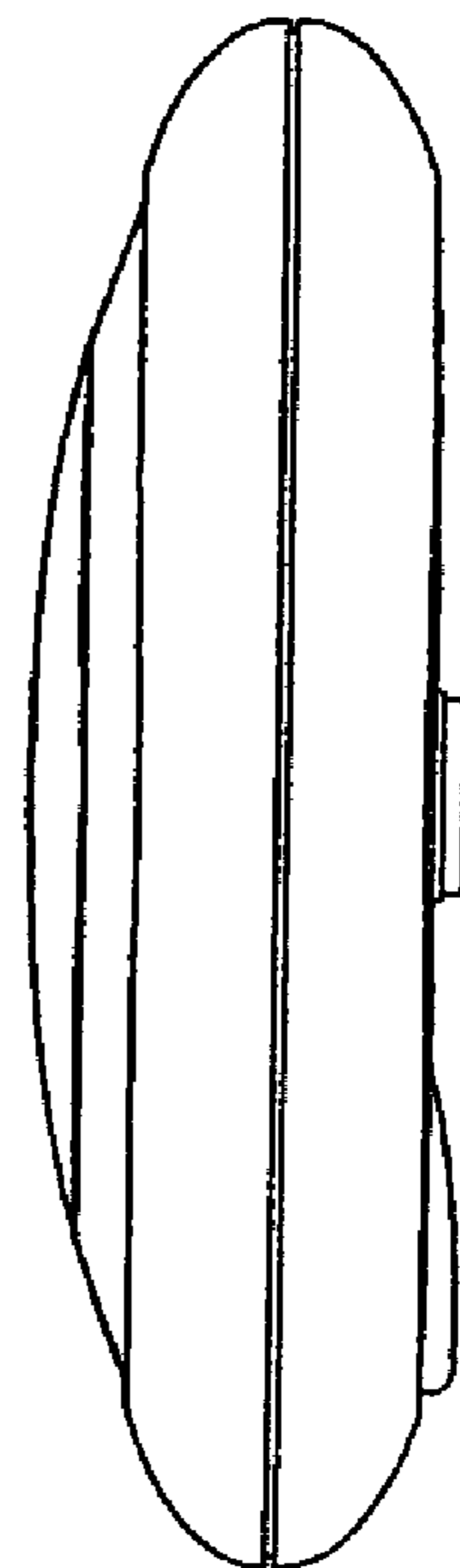


FIG. 4

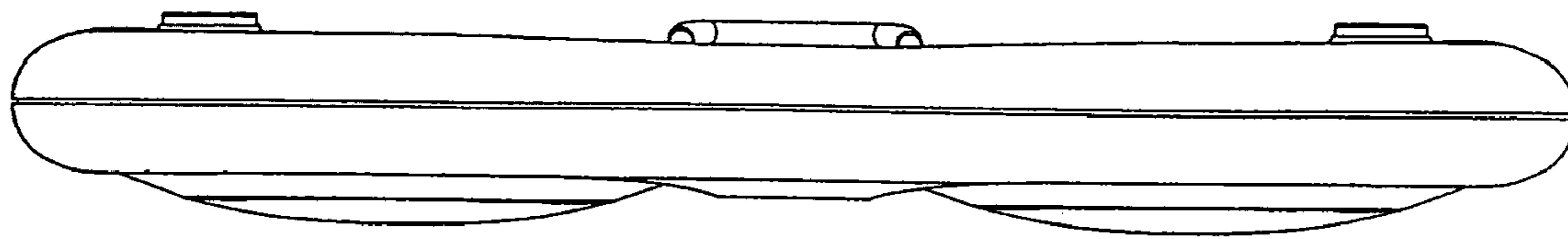


FIG. 5

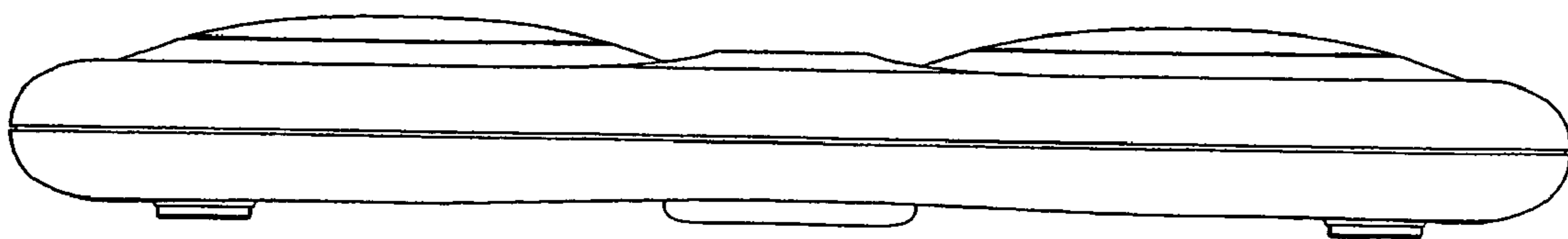


FIG. 6