



US00D559708S

(12) **United States Design Patent**
Michael et al.

(10) **Patent No.: US D559,708 S**
(45) **Date of Patent: ** Jan. 15, 2008**

(54) **ELECTRONIC TIMER**

(75) Inventors: **Vicky Ann Michael**, Winchester, VA (US); **James Daniel Carter**, Winchester, VA (US); **Juergen Nies**, Winchester, VA (US); **Ha Van Duong**, Winchester, VA (US)

(73) Assignee: **Meinor, Inc.**, Winchester, VA (US)

(**) Term: **14 Years**

(21) Appl. No.: **29/276,114**

(22) Filed: **Jan. 16, 2007**

(51) **LOC (8) Cl.** **10-03**

(52) **U.S. Cl.** **D10/40**

(58) **Field of Classification Search** D10/40;
368/107-123, 82-84, 187, 97-100; 239/69,
239/70; 700/284; 137/624.11-624.19, 624.2,
137/624.21

See application file for complete search history.

(56) **References Cited**

U.S. PATENT DOCUMENTS

4,592,505	A *	6/1986	Bruninga et al.	239/69
4,633,905	A *	1/1987	Wang	137/624.11
4,708,264	A *	11/1987	Bruninga	222/20
4,807,664	A *	2/1989	Wilson et al.	137/624.11
D304,224	S *	10/1989	Wilson et al.	D23/245
5,101,859	A *	4/1992	Roman	137/624.18
5,143,290	A *	9/1992	Wang	239/70
D365,771	S *	1/1996	Clivio	D10/96
D377,316	S *	1/1997	Roman et al.	D10/40

5,826,619	A *	10/1998	Roman	137/624.11
D430,044	S *	8/2000	Clivio	D10/40
D431,195	S *	9/2000	Clivio	D10/40
6,283,139	B1 *	9/2001	Symonds et al.	137/78.3
D451,037	S *	11/2001	Jacobs et al.	D10/40
D451,412	S *	12/2001	Jacobs et al.	D10/40
6,397,888	B1 *	6/2002	Wang	137/624.12
D467,187	S *	12/2002	Clivio	D10/40
D477,287	S *	7/2003	Roman	D13/162
D485,502	S *	1/2004	Clivio	D10/40
6,719,010	B1 *	4/2004	Yi-Chang	137/624.11
6,986,364	B1 *	1/2006	Wang	137/624.11

* cited by examiner

Primary Examiner—Lucy Lieberman

(74) *Attorney, Agent, or Firm*—Westerman, Hattori, Daniels & Adrian, LLP.

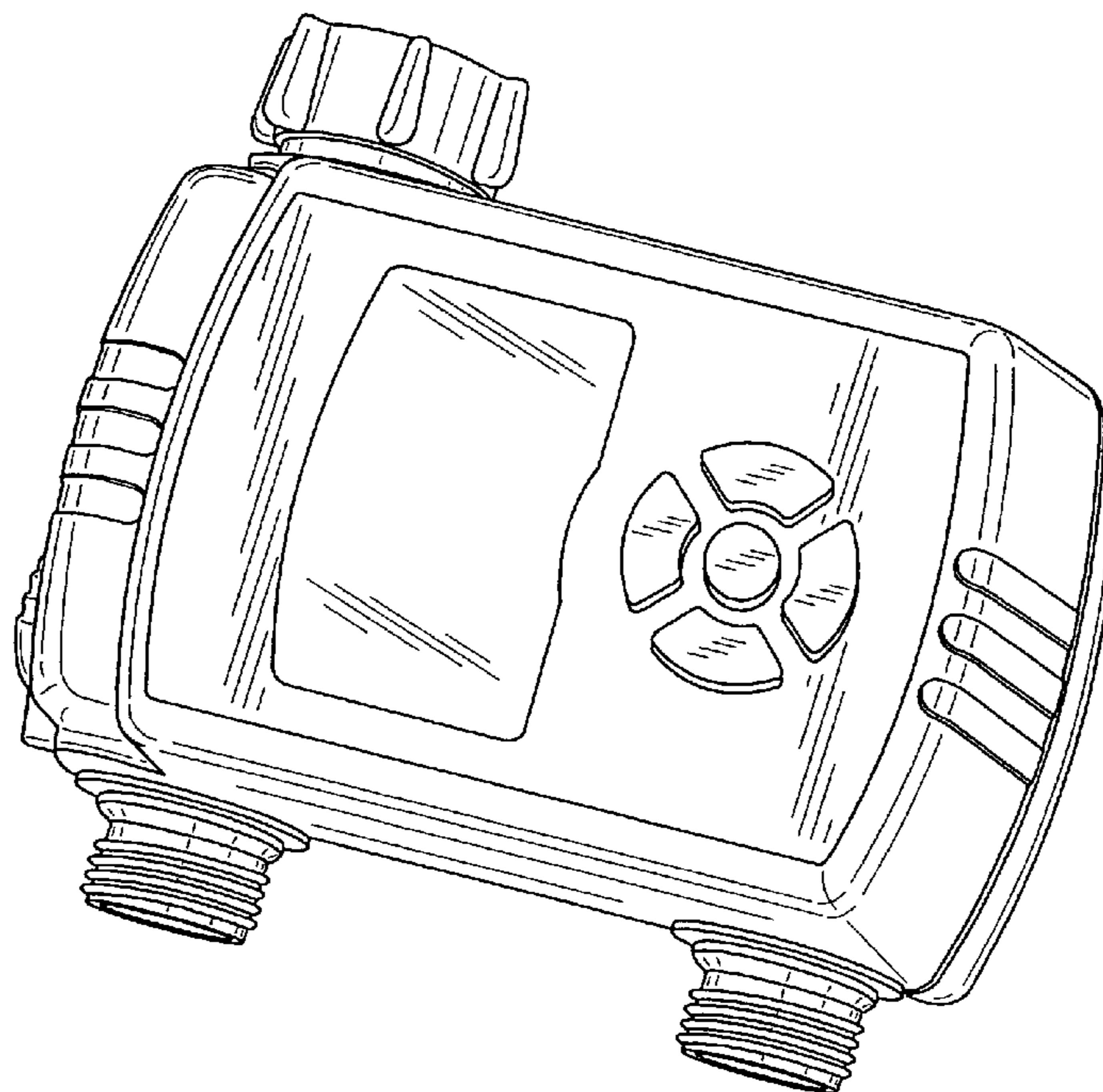
(57) **CLAIM**

The ornamental design for an electronic timer, as shown and described.

DESCRIPTION

FIG. 1 is a perspective view of an electronic timer;
FIG. 2 is a front view of an electronic timer;
FIG. 3 is a rear view of an electronic timer;
FIG. 4 is a top view of an electronic timer;
FIG. 5 is a bottom view of an electronic timer;
FIG. 6 is a left side view of the electronic timer; and,
FIG. 7 is a right side view of the electronic timer.

1 Claim, 4 Drawing Sheets



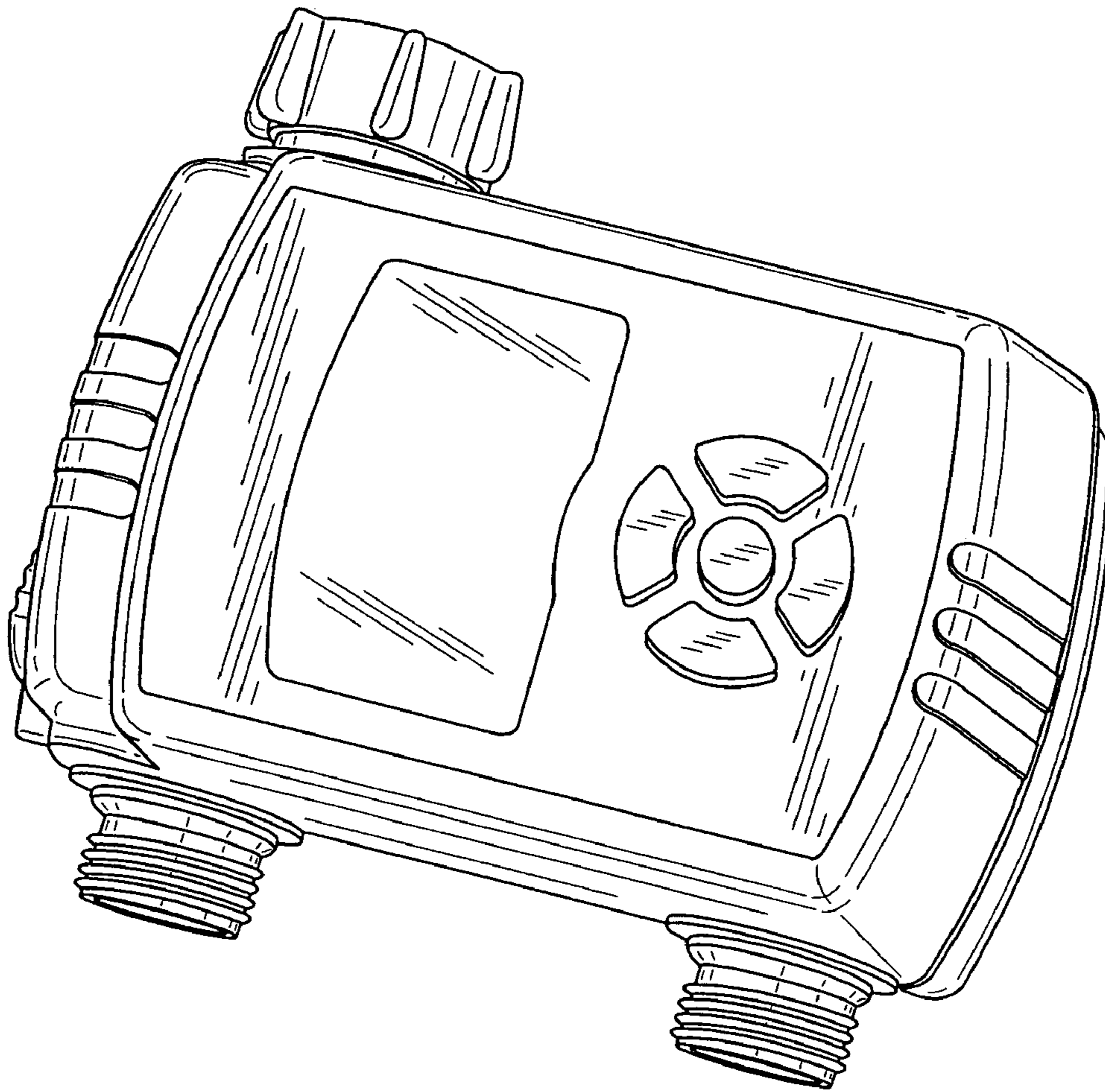


FIG.1

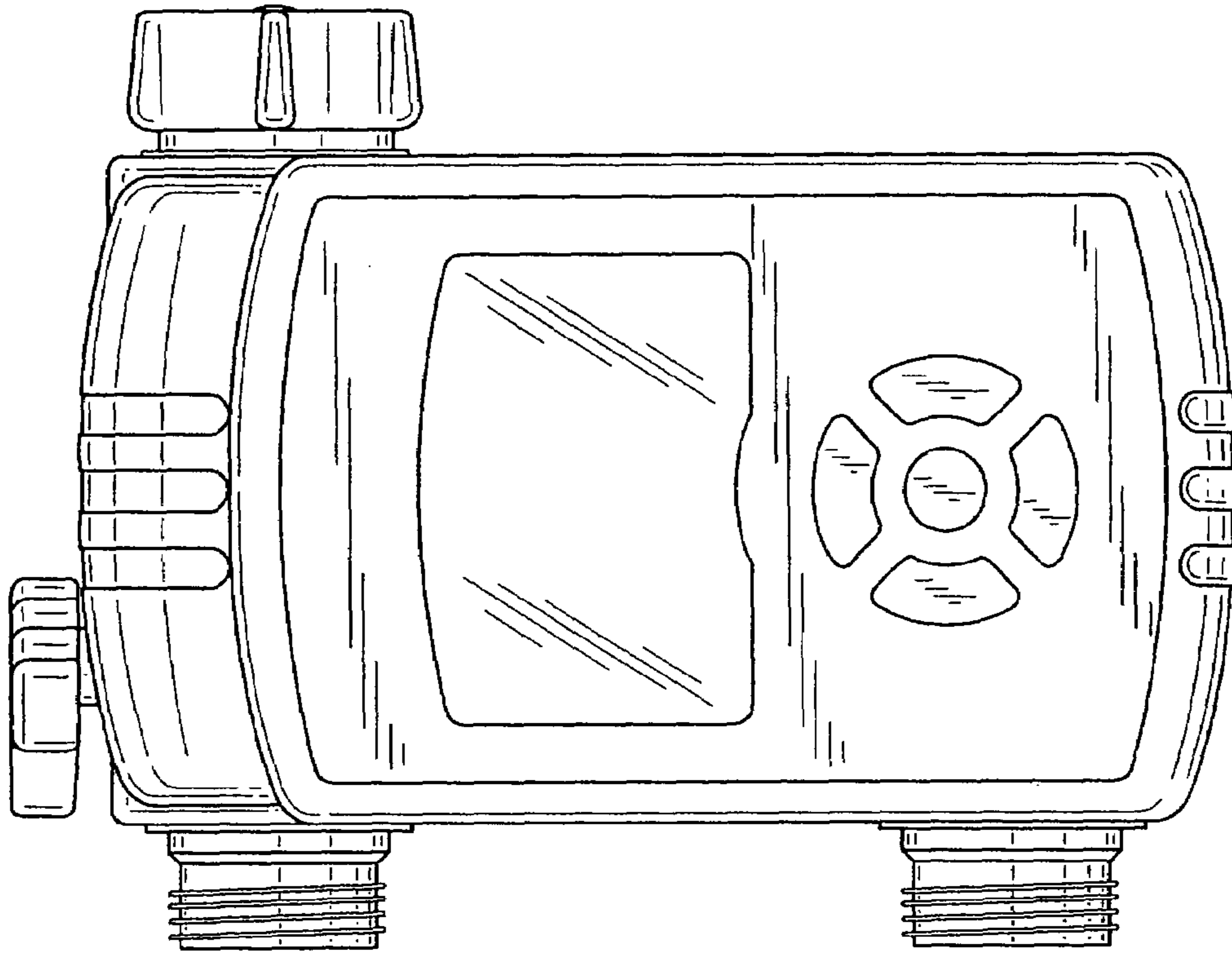


FIG. 2

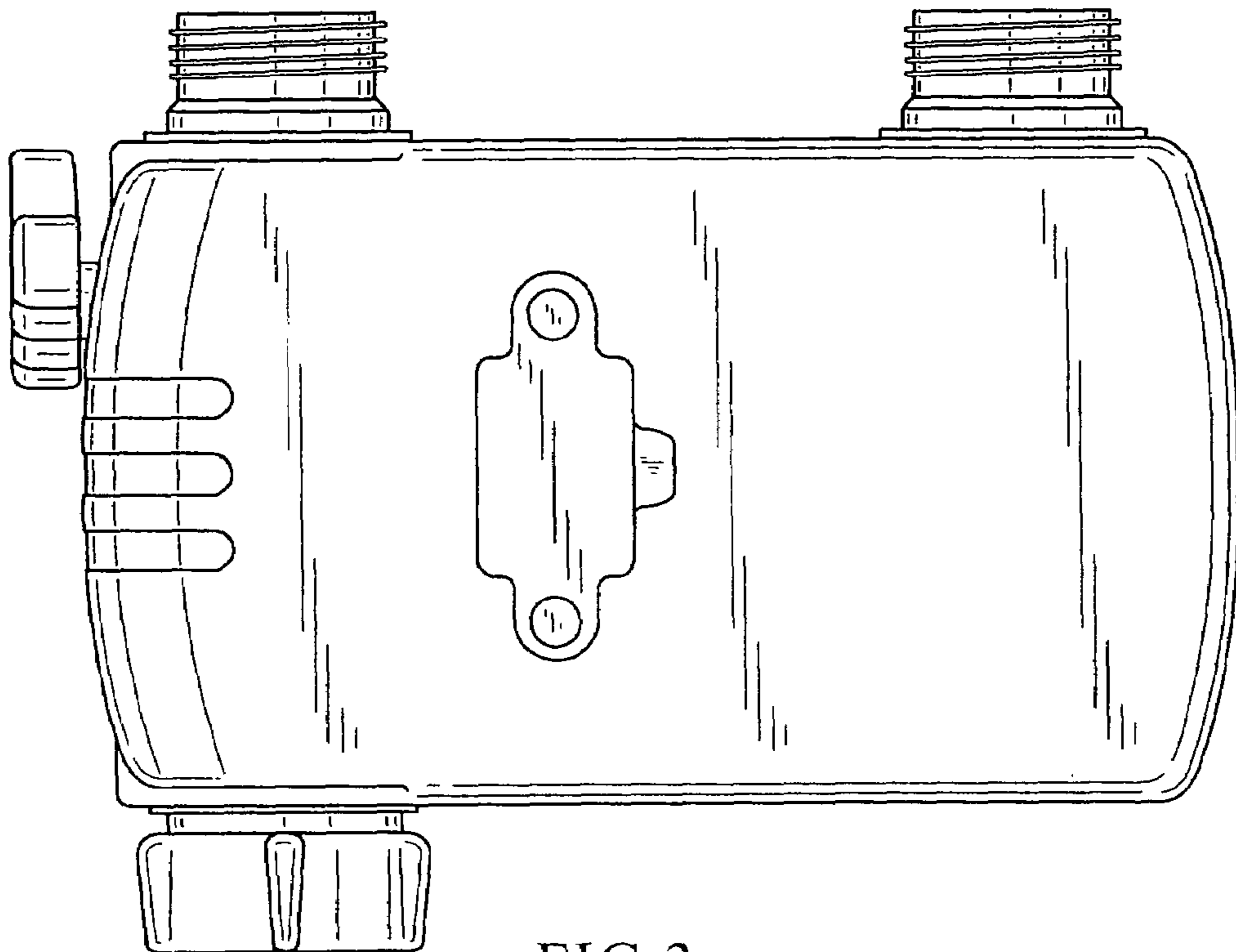


FIG. 3

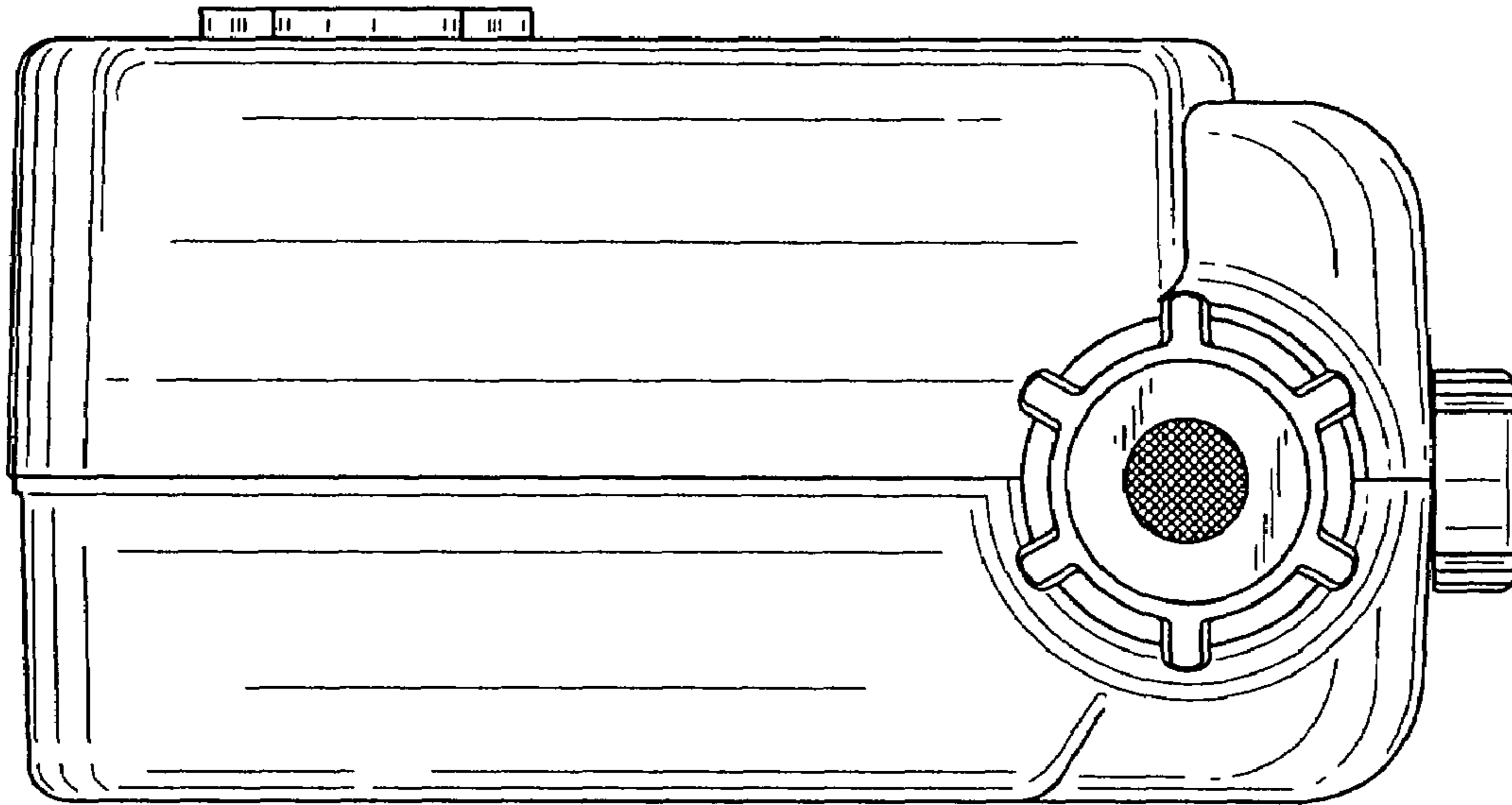


FIG. 4

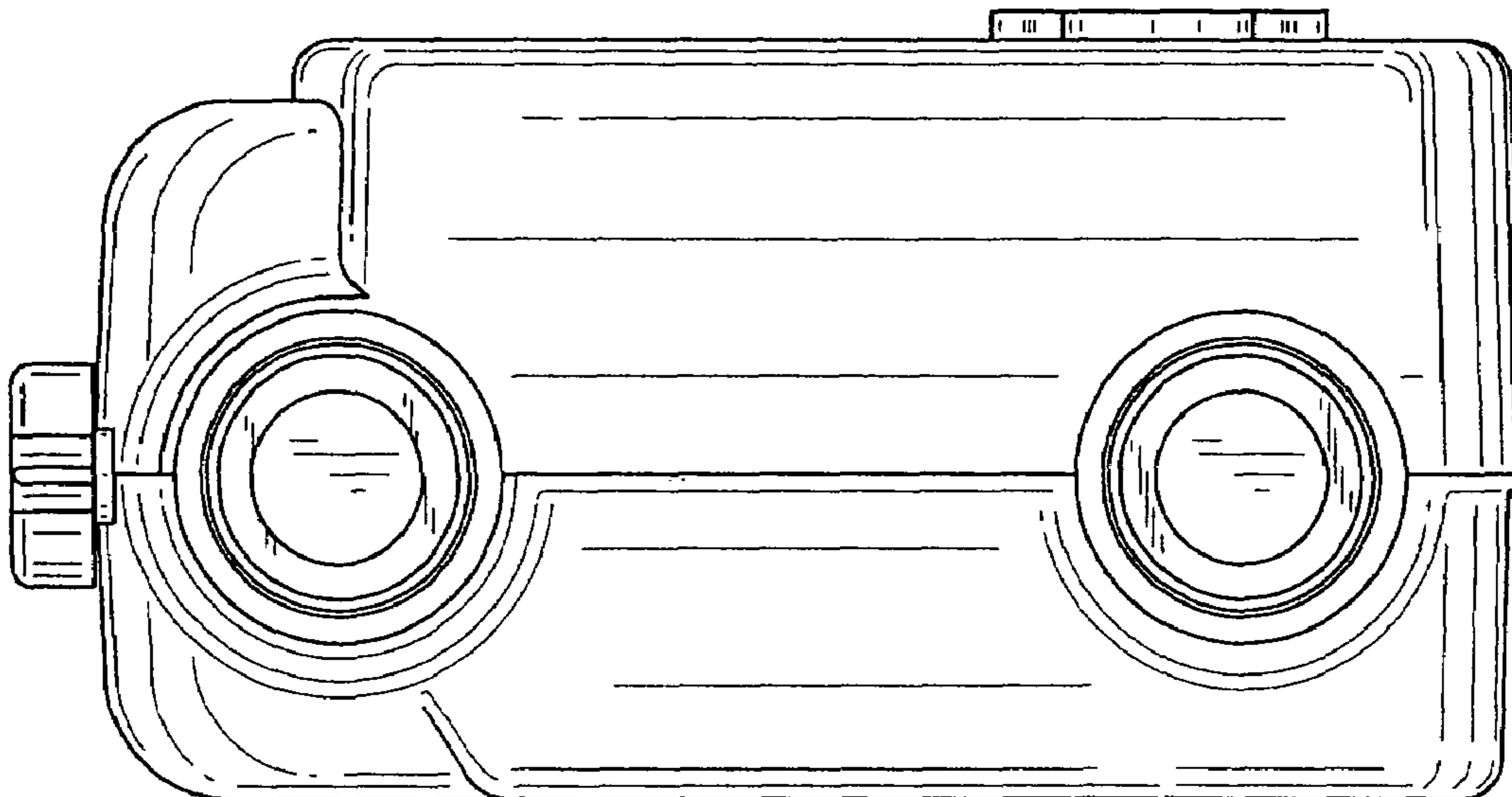


FIG. 5

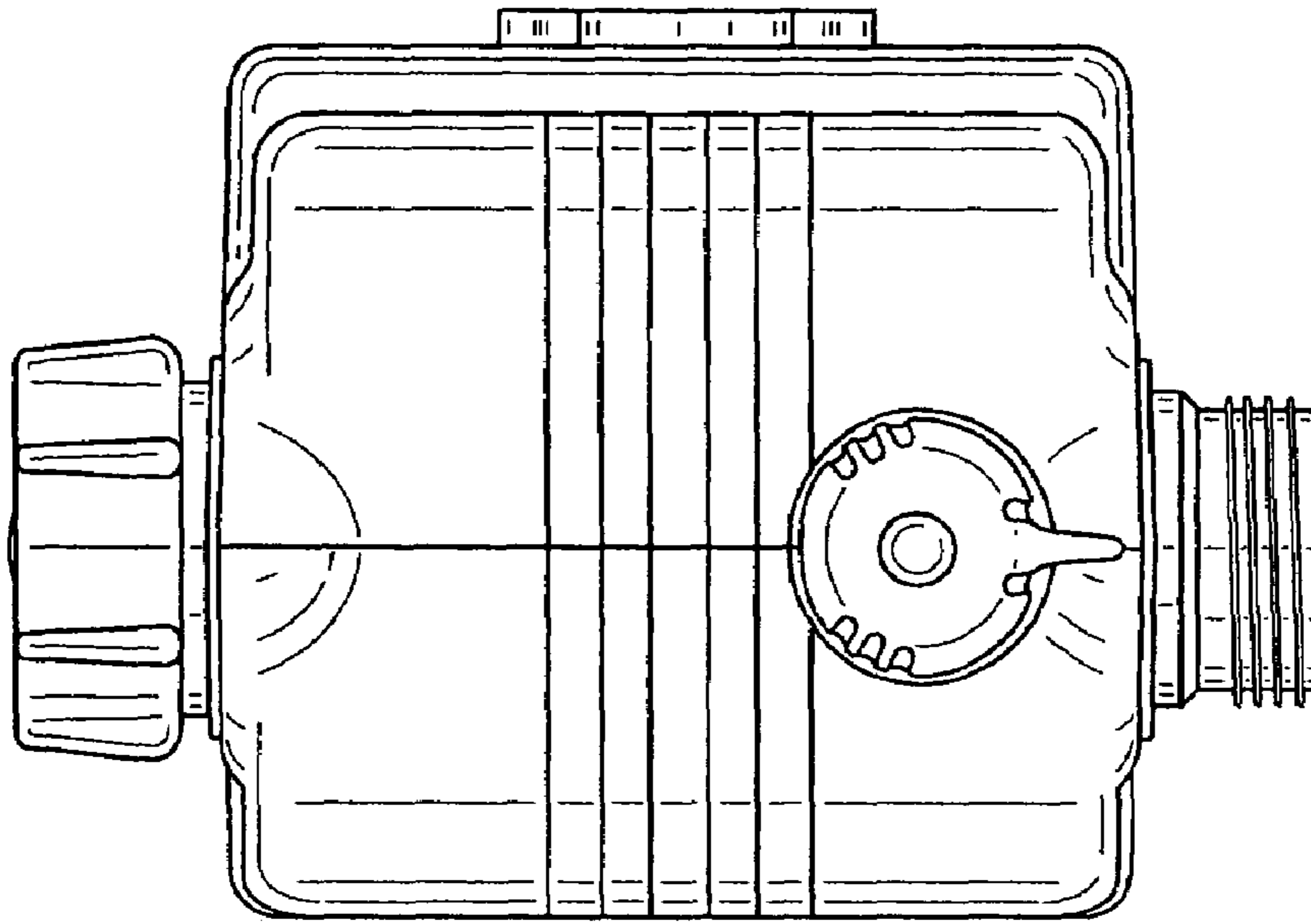


FIG. 6

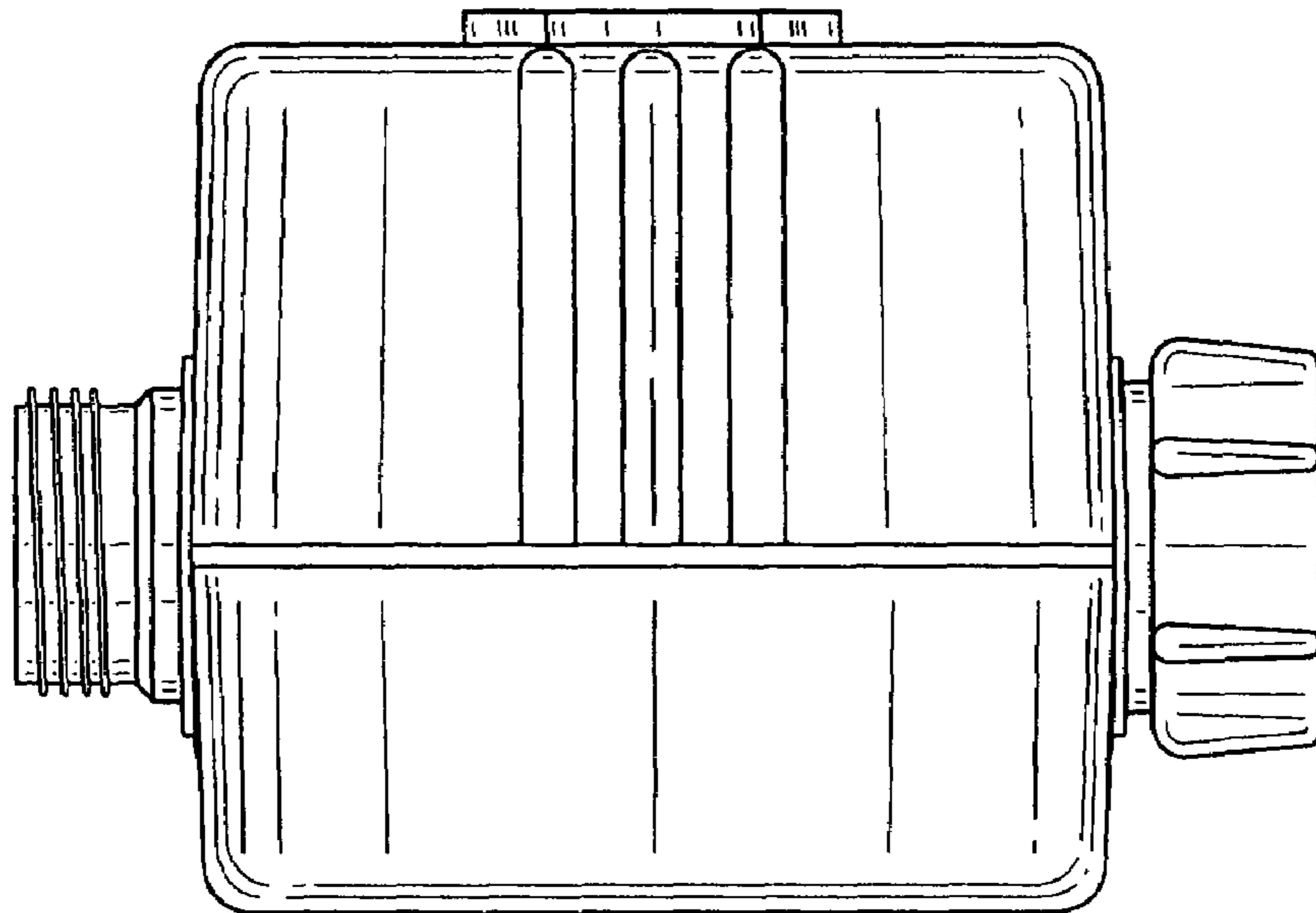


FIG. 7