



US00D559695S

(12) **United States Design Patent**
Lesueur

(10) **Patent No.:** **US D559,695 S**

(45) **Date of Patent:** **** Jan. 15, 2008**

(54) **BOTTLE**

(75) **Inventor:** **François Lesueur**, Le Havre Cedex (FR)

(73) **Assignee:** **Sidel**, Octeville sur Mer (FR)

(**) **Term:** **14 Years**

(21) **Appl. No.:** **29/242,123**

(22) **Filed:** **Nov. 3, 2005**

(30) **Foreign Application Priority Data**

May 13, 2005 (EM) 000340435

(51) **LOC (8) Cl.** **09-01**

(52) **U.S. Cl.** **D9/538; D9/541; D9/520**

(58) **Field of Classification Search** D9/541,
D9/520, 516, 530, 537, 538, 539, 540, 542,
D9/543, 549, 551, 552, 553, 556, 557, 558,
D9/561; 215/381, 382, 383, 384

See application file for complete search history.

(56) **References Cited**

U.S. PATENT DOCUMENTS

| | | | | |
|---------------|---------|-------------------|-------|---------|
| D112,798 S * | 1/1939 | Watson | | D9/539 |
| D268,324 S * | 3/1983 | Gautier | | D9/560 |
| D370,178 S * | 5/1996 | Petre et al. | | D9/520 |
| 5,632,397 A * | 5/1997 | Fandoux et al. | | 215/382 |
| D380,671 S * | 7/1997 | Young | | D9/538 |
| D386,088 S * | 11/1997 | Satoh | | D9/536 |
| 5,713,480 A * | 2/1998 | Petre et al. | | 215/373 |
| 5,732,838 A * | 3/1998 | Young | | 215/384 |
| D401,860 S * | 12/1998 | Mentasti Granelli | | D9/538 |
| D413,520 S * | 9/1999 | Comper | | D9/553 |
| D414,700 S * | 10/1999 | Zogg | | D9/502 |

| | | | | |
|--------------|--------|----------------|-------|--------|
| D423,940 S * | 5/2000 | Chimetto | | D9/541 |
| D424,948 S * | 5/2000 | Ullmo | | D9/540 |
| D504,069 S * | 4/2005 | Gross et al. | | D9/538 |
| D506,138 S * | 6/2005 | Zboch et al. | | D9/539 |
| D506,923 S * | 7/2005 | Zboch et al. | | D9/538 |
| D506,931 S * | 7/2005 | Delmotte | | D9/538 |
| D510,035 S * | 9/2005 | Higuchi | | D9/683 |
| D517,918 S * | 3/2006 | Colloud et al. | | D9/502 |
| D518,725 S * | 4/2006 | Eble | | D9/502 |
| D521,868 S * | 5/2006 | Arima | | D9/502 |
| D527,267 S * | 8/2006 | Zboch et al. | | D9/516 |

* cited by examiner

Primary Examiner—Stella M. Reid

Assistant Examiner—Elizabeth J. Oswecki

(74) *Attorney, Agent, or Firm*—James H. Walters

(57) **CLAIM**

I claim the ornamental design for a bottle, as shown and described.

DESCRIPTION

FIG. 1 is a bottom perspective view of the design for a bottle;

FIG. 2 is a top perspective view of the design for FIG. 1;

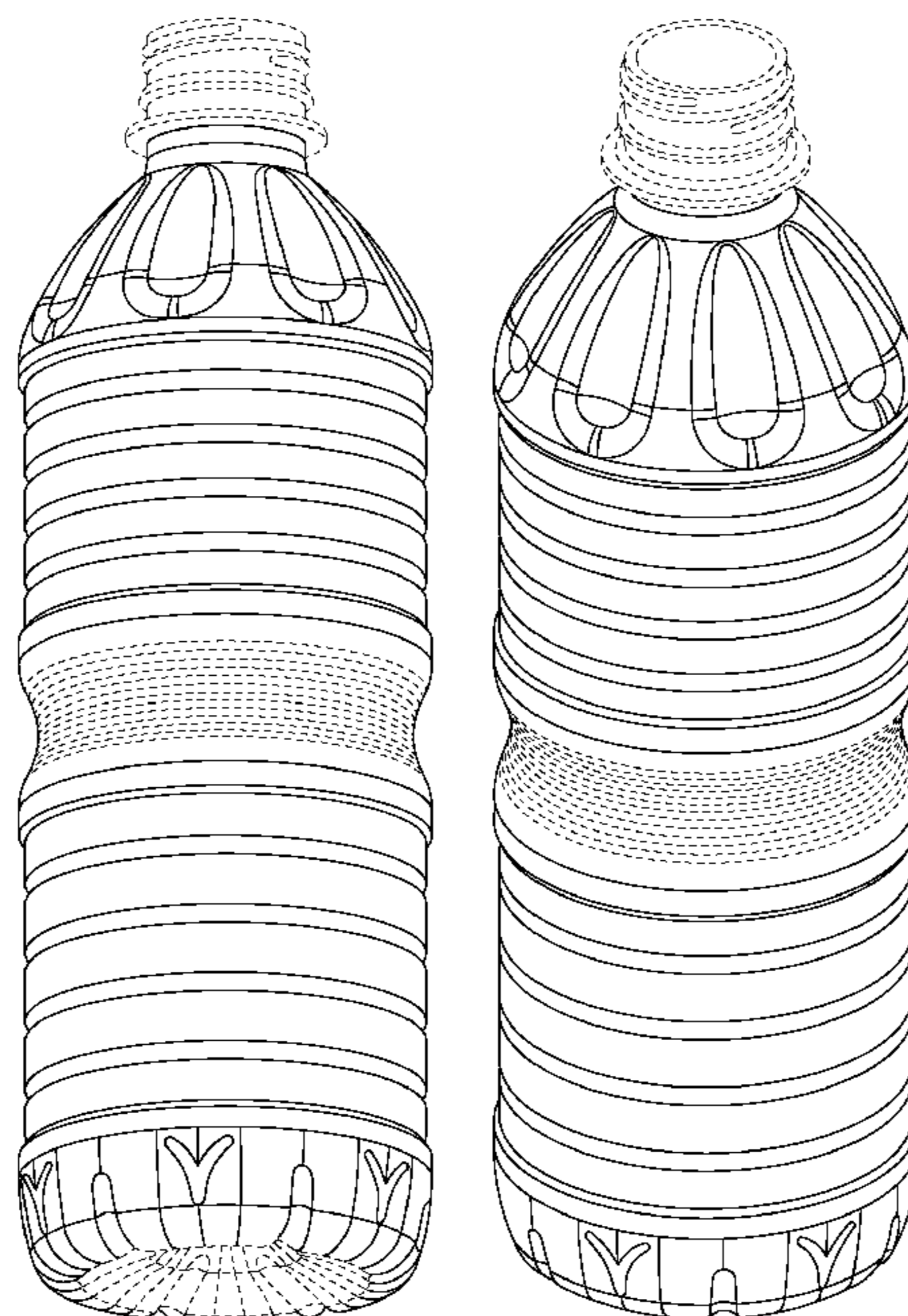
FIG. 3 is a first side view of the design of FIG. 1, the opposite side being a mirror image thereof;

FIG. 4 is a second side view of the design of FIG. 1, the opposite side being a mirror image thereof; and,

FIG. 5 is a top view of the design of FIG. 1.

The broken line portions in FIGS. 1–5 are for illustrative purposes only and form no part of the claimed design.

1 Claim, 3 Drawing Sheets



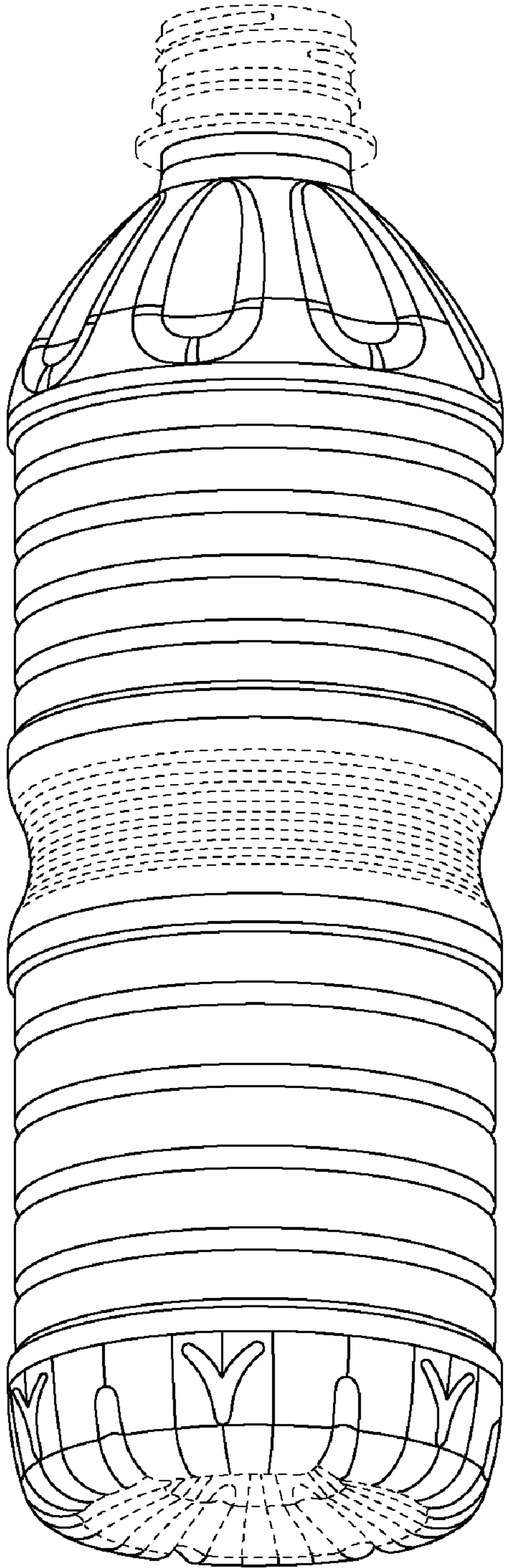


FIG. 1

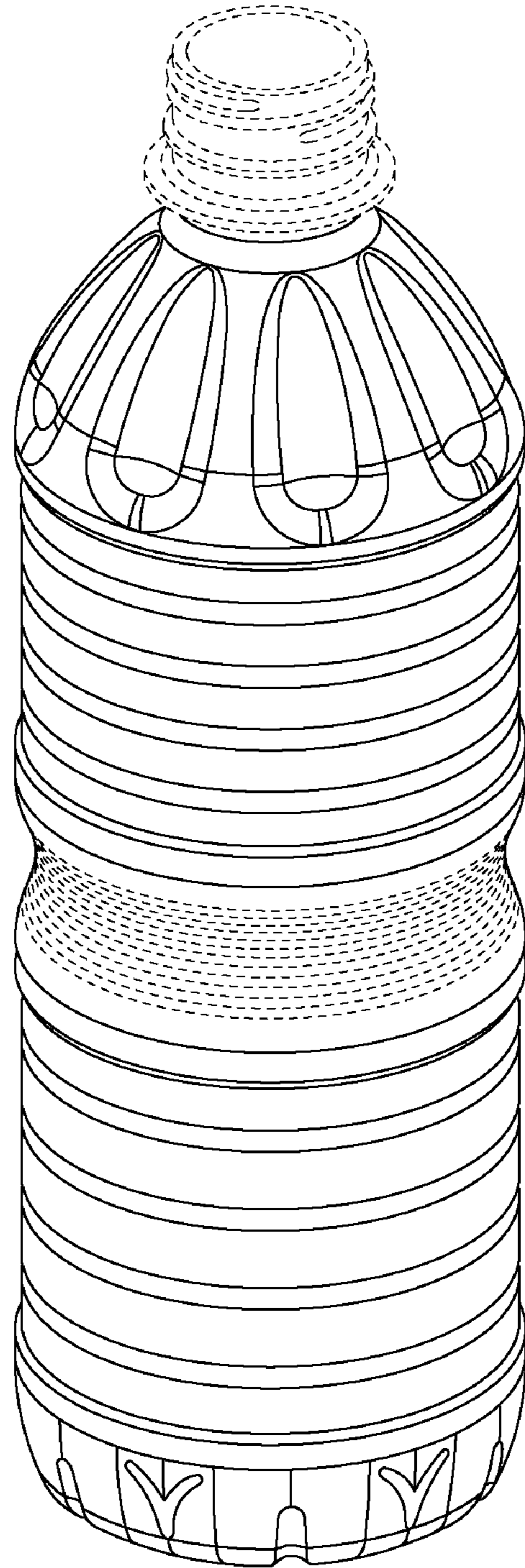


FIG. 2

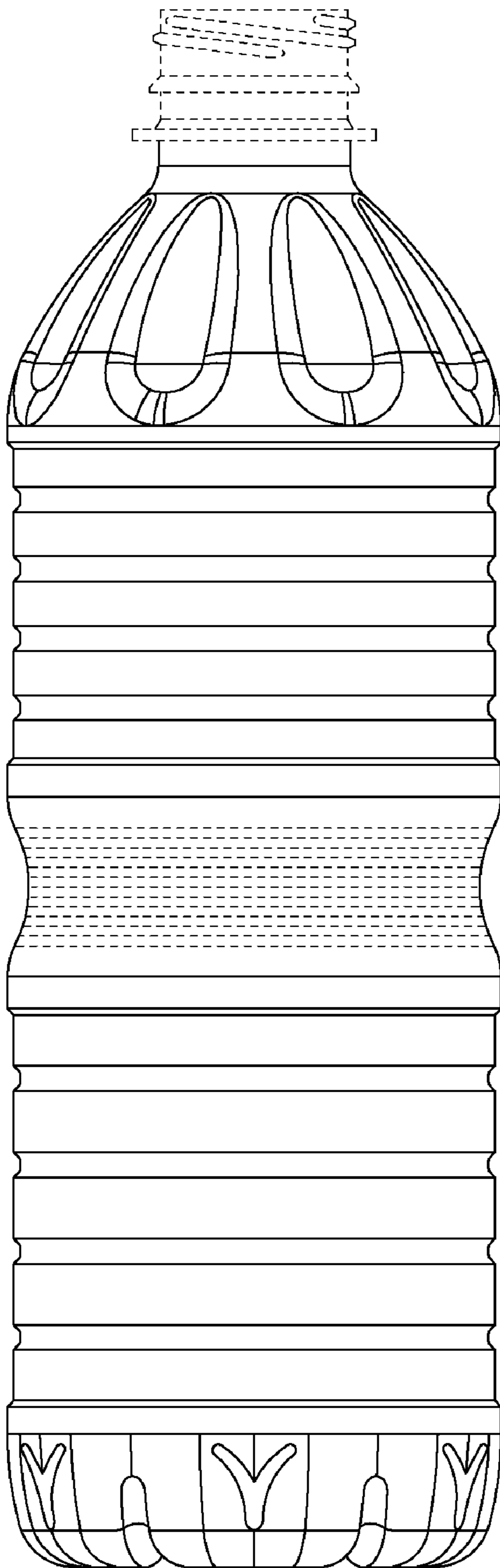


FIG. 3

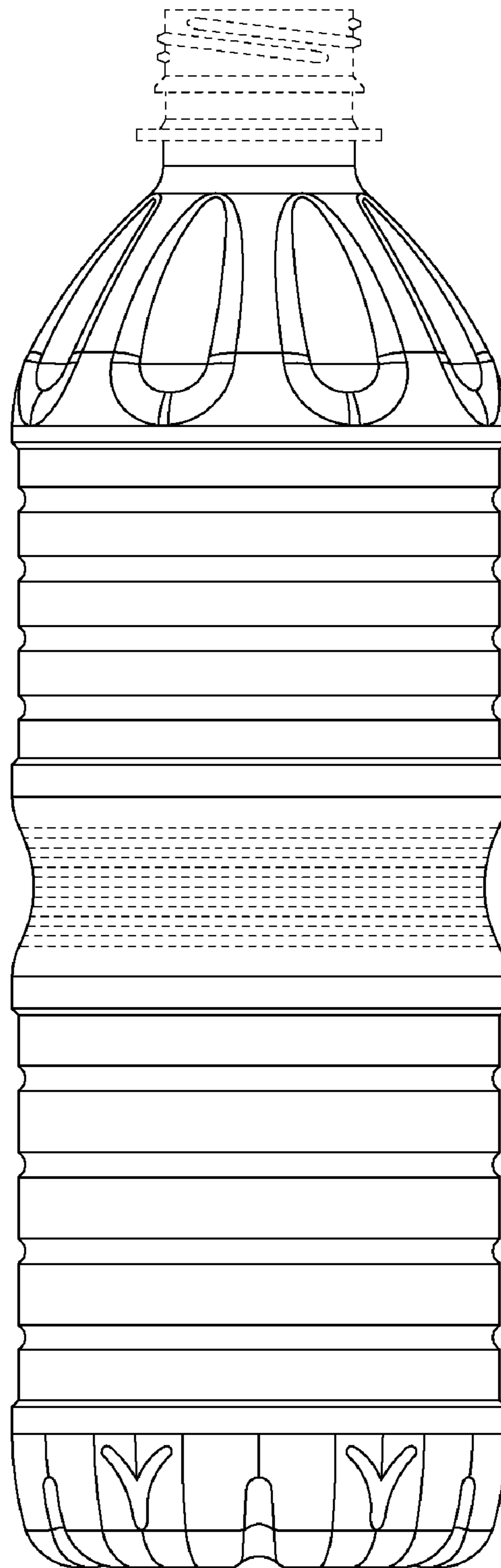


FIG. 4

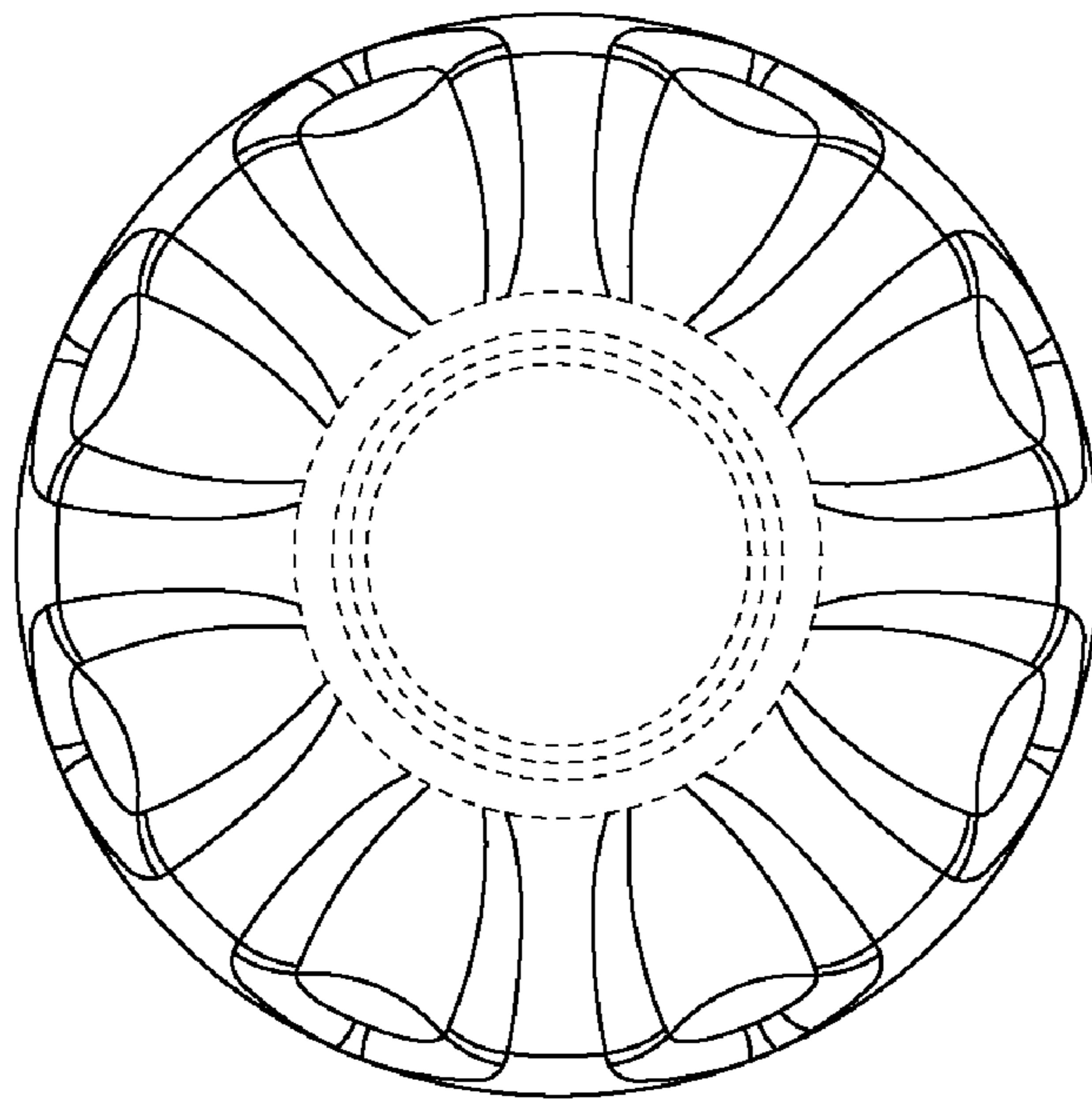


FIG.5