



US00D559686S

(12) **United States Design Patent**
Futral

(10) **Patent No.:** **US D559,686 S**
(45) **Date of Patent:** **** Jan. 15, 2008**

(54) **CONTAINER**

D452,158 S * 12/2001 Dygert D9/538

(75) Inventor: **Daniel M. Futral**, Marietta, GA (US)

* cited by examiner

(73) Assignee: **Consolidated Container Co. LP**,
Atlanta, GA (US)

Primary Examiner—Ian Simmons

Assistant Examiner—Dana L Sipos

(74) *Attorney, Agent, or Firm*—Alston & Bird LLP

(**) Term: **14 Years**

(57) **CLAIM**

(21) Appl. No.: **29/248,928**

The ornamental design for a container, as shown and described.

(22) Filed: **Sep. 11, 2006**

DESCRIPTION

(51) **LOC (8) Cl.** **09-01**

FIG. 1 is a top plan view of the container of FIG. 3

(52) **U.S. Cl.** **D9/516**

FIG. 2 is a bottom plan view thereof;

(58) **Field of Classification Search** D9/516,
D9/520, 530, 537–543, 549, 551–552, 556–561,
D9/564–565, 569–575; 215/379–384; 220/660–661,
220/669, 675

FIG. 3 is a left side elevational view of a container showing my new design;

See application file for complete search history.

FIG. 4 is a rear elevational view thereof;

FIG. 5 is a right side elevational view thereof;

(56) **References Cited**

U.S. PATENT DOCUMENTS

D198,404 S * 6/1964 Busch D9/522

D389,067 S * 1/1998 Lown D9/543

D413,200 S * 8/1999 Baker D3/23

D444,070 S * 6/2001 Bansal et al. D9/543

D449,538 S * 10/2001 Burlison et al. D9/530

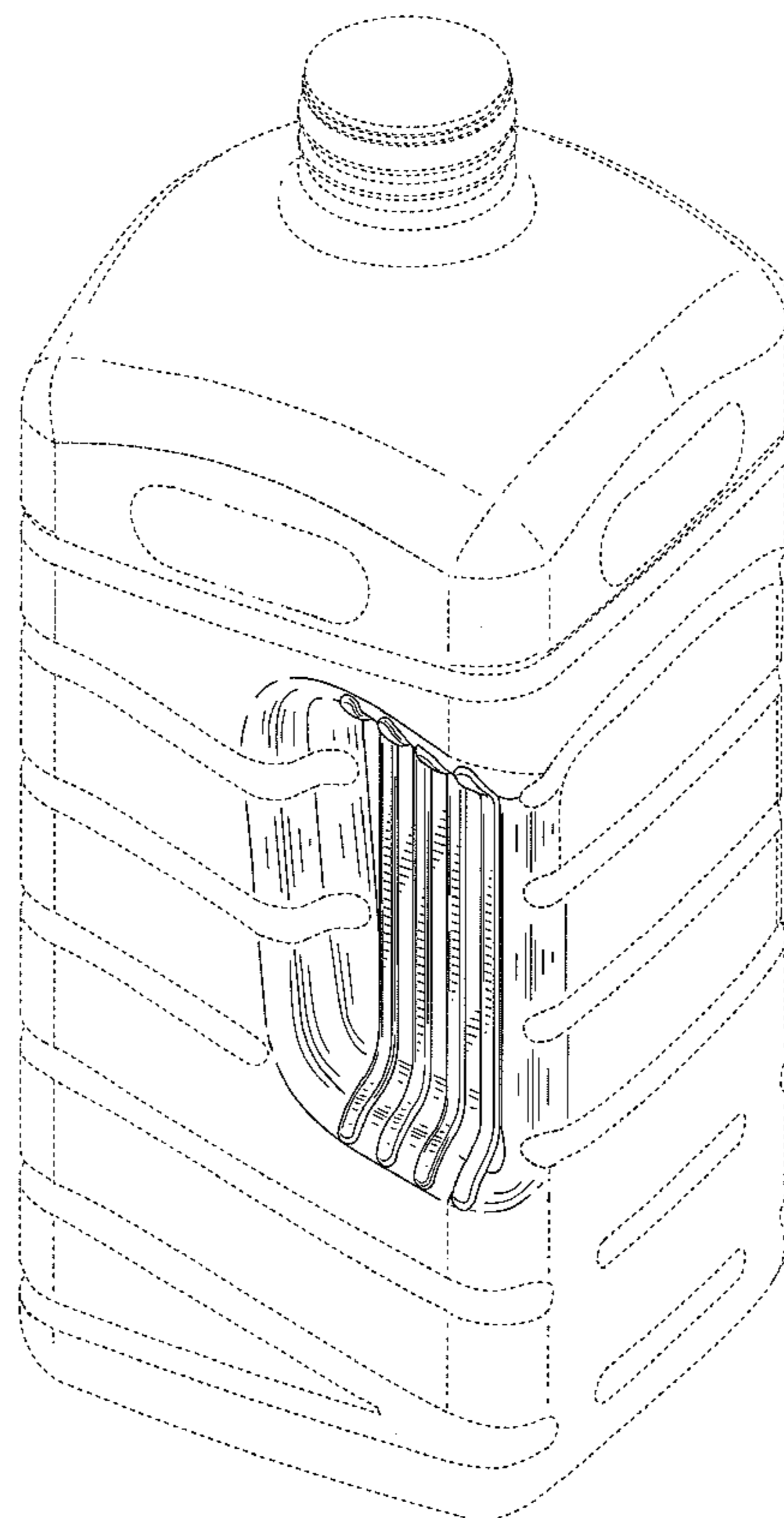
FIG. 6 is a front elevational view thereof;

FIG. 7 is a top, rear, right side perspective view thereof; and,

FIG. 8 is a bottom, front, left side elevational view thereof.

The broken lines shown herein are for illustrative purposes only and form no part of the claimed design.

1 Claim, 8 Drawing Sheets



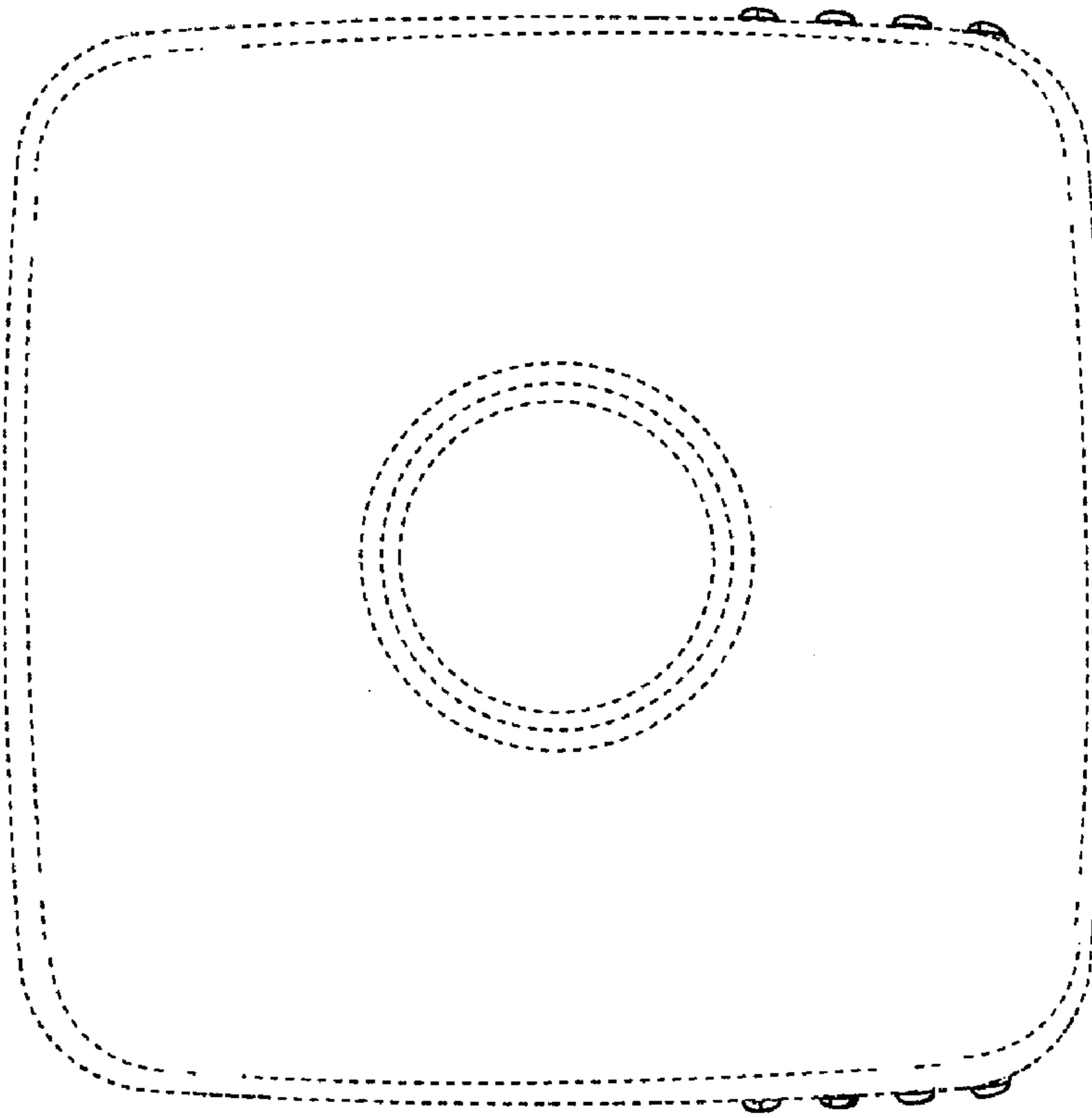


FIG. 1

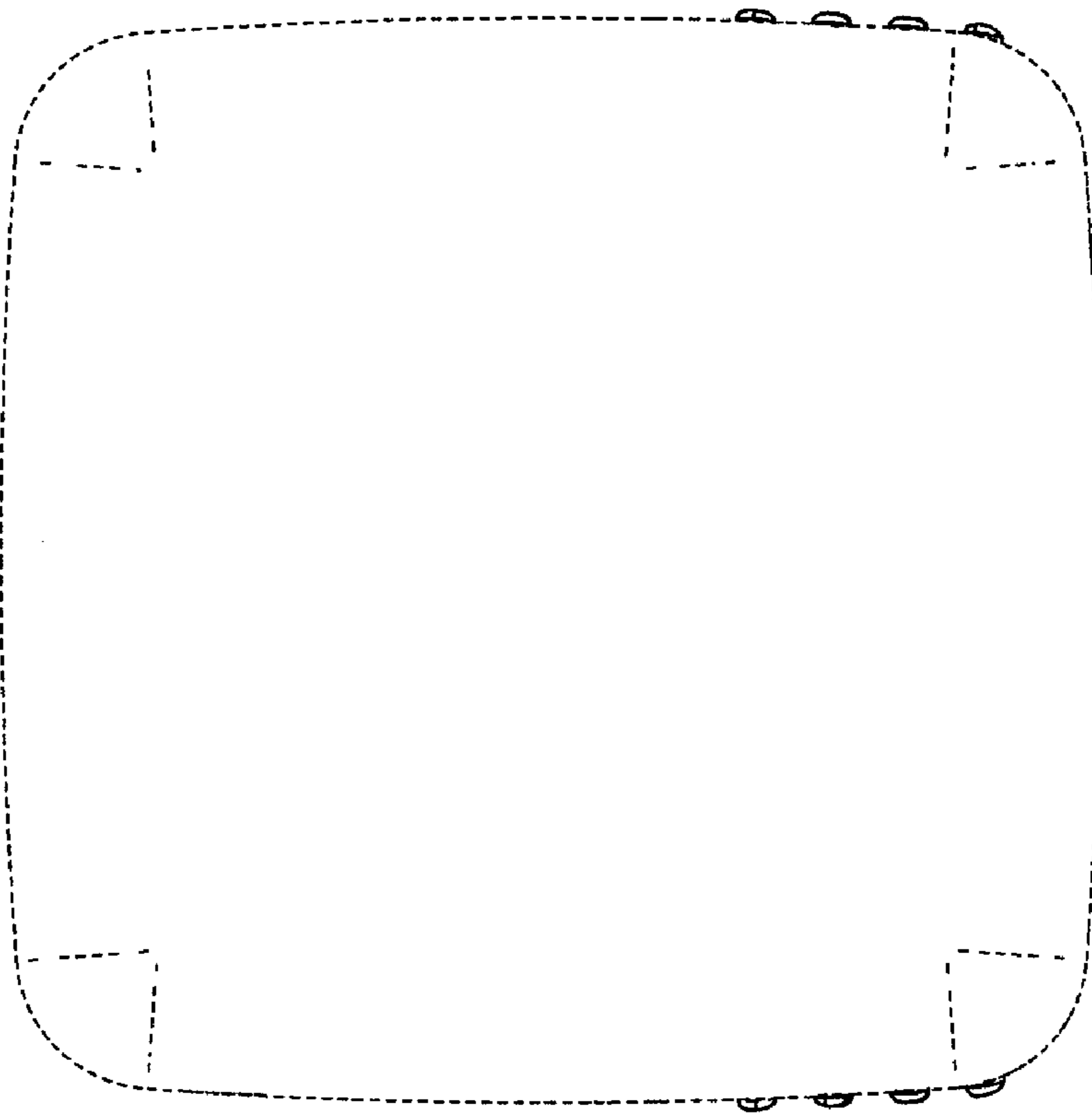


FIG. 2

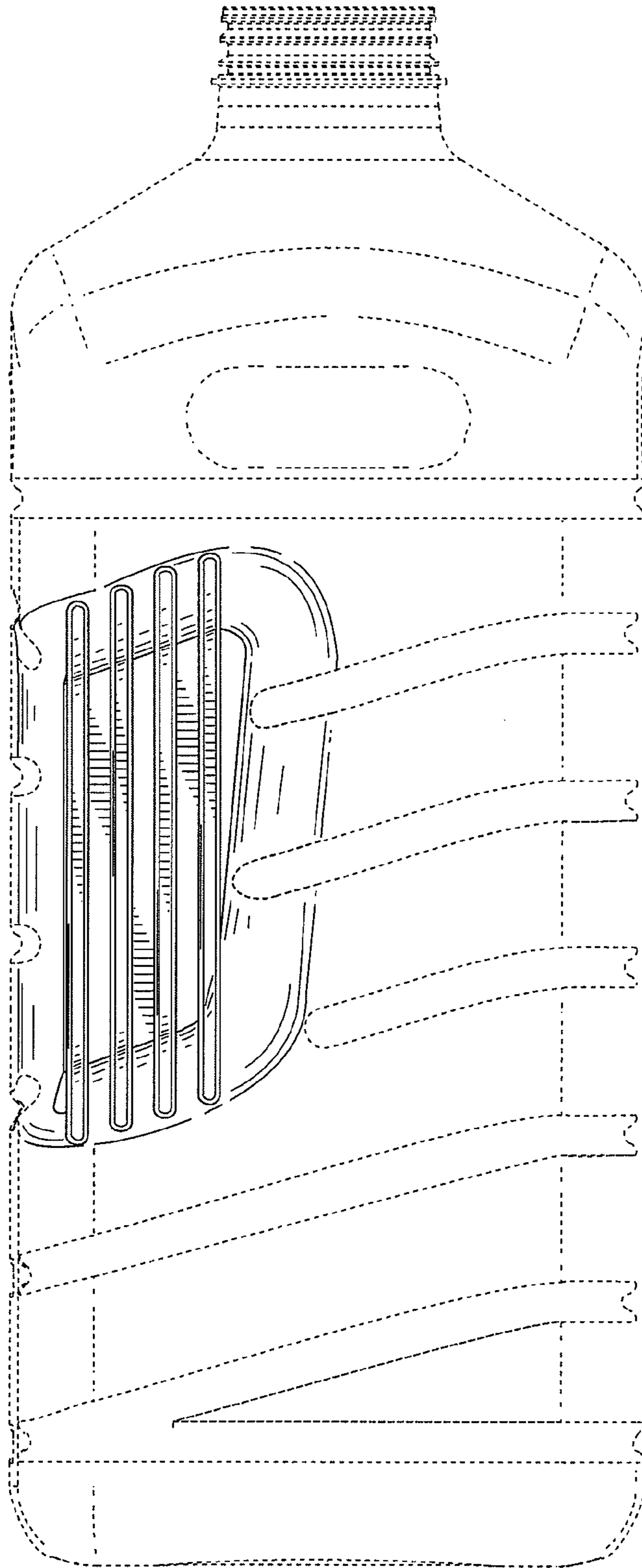


FIG. 3

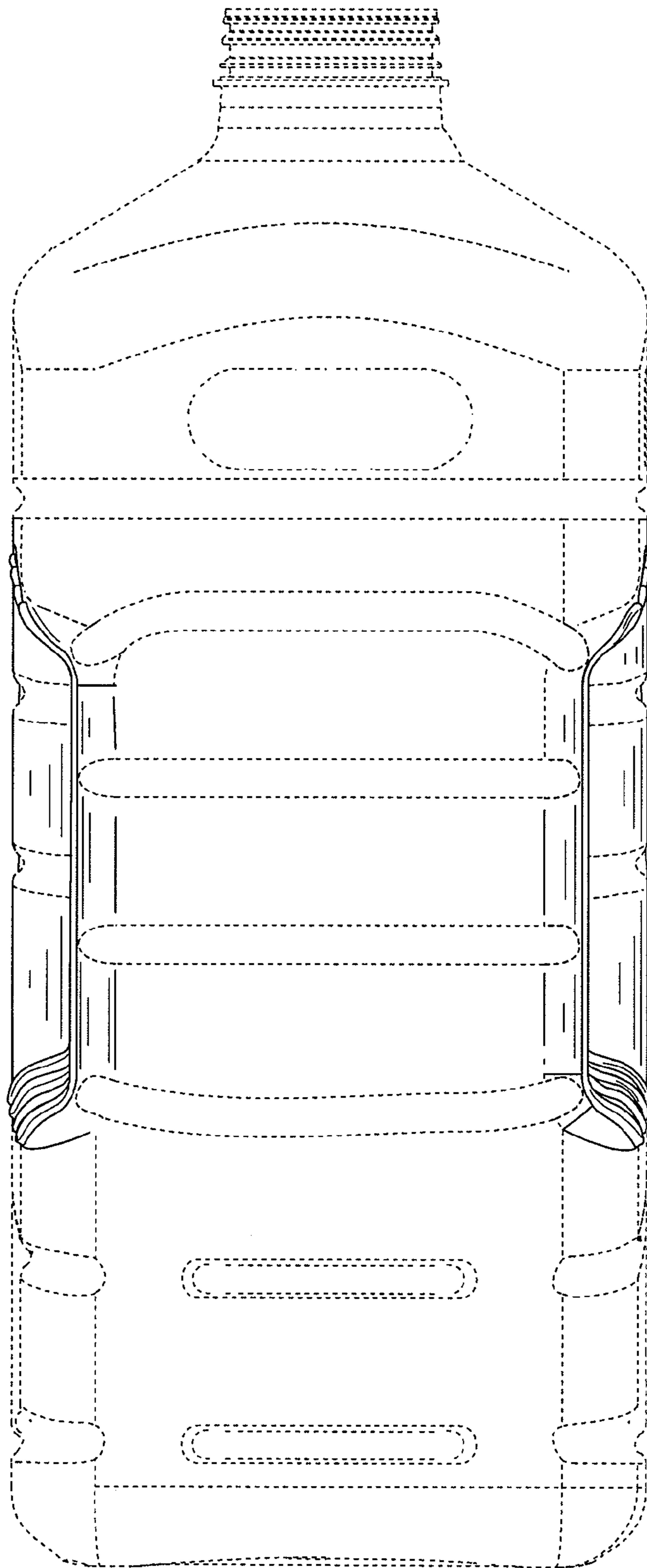


FIG. 4

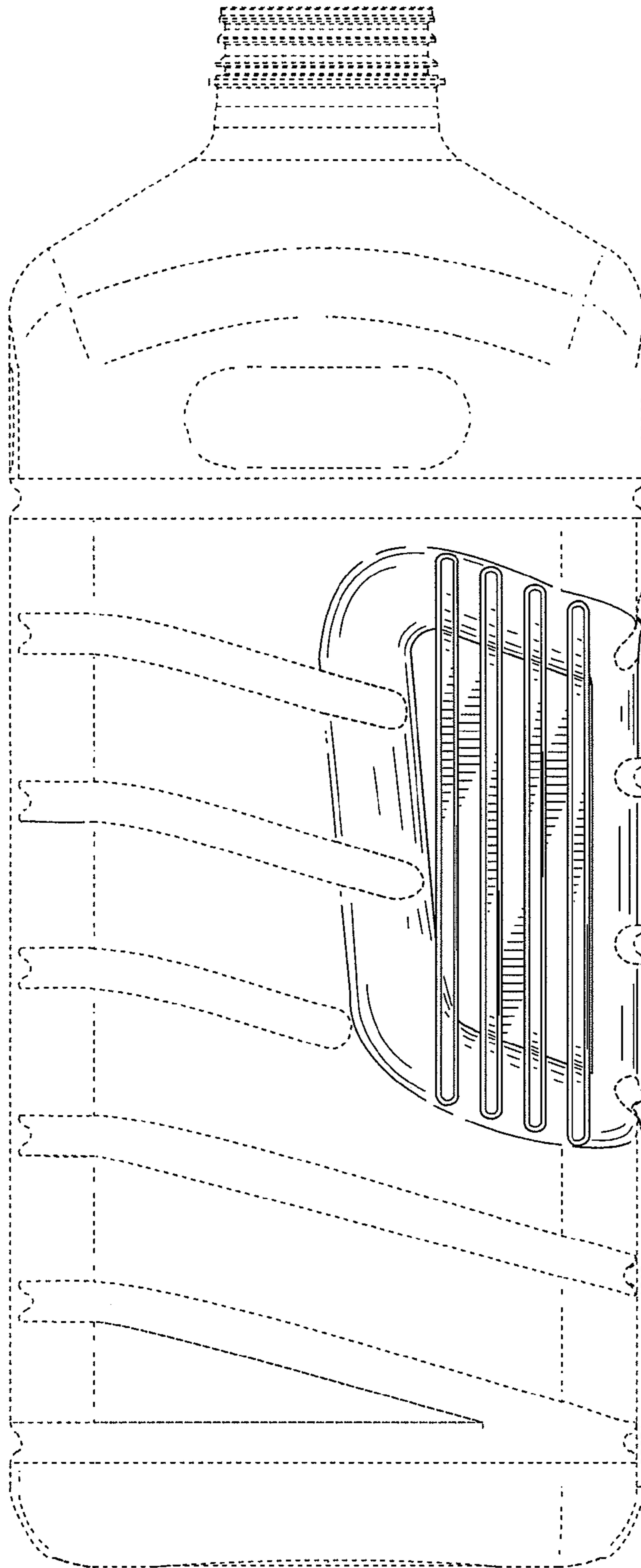


FIG. 5

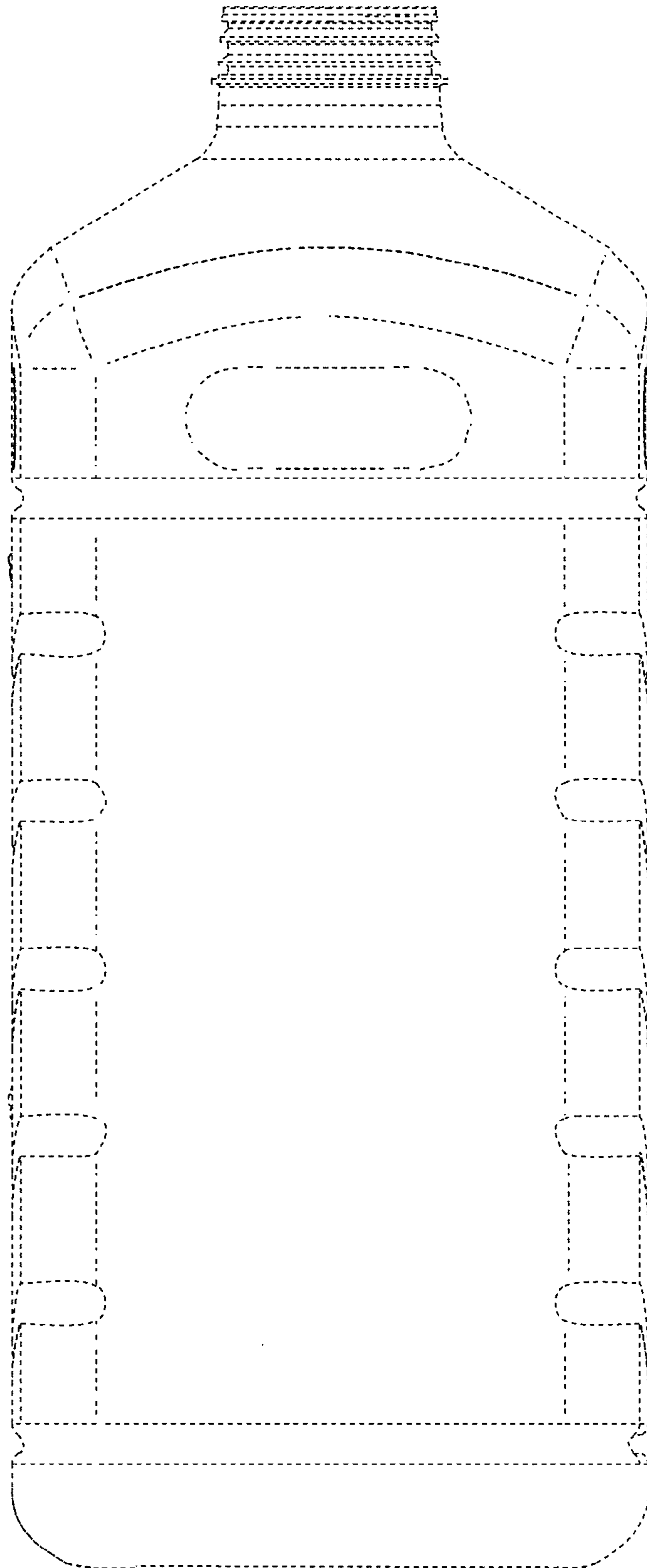


FIG. 6

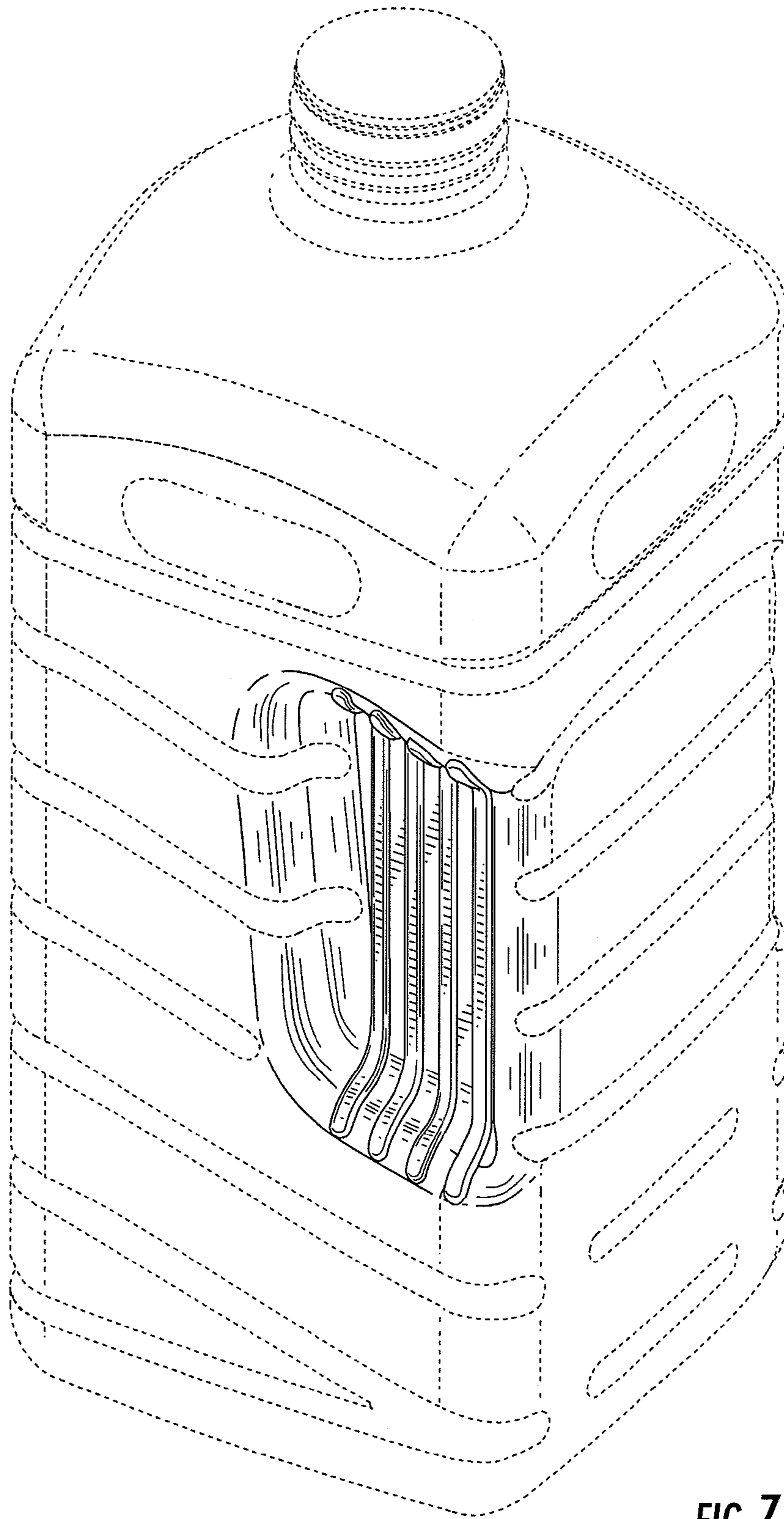


FIG. 7

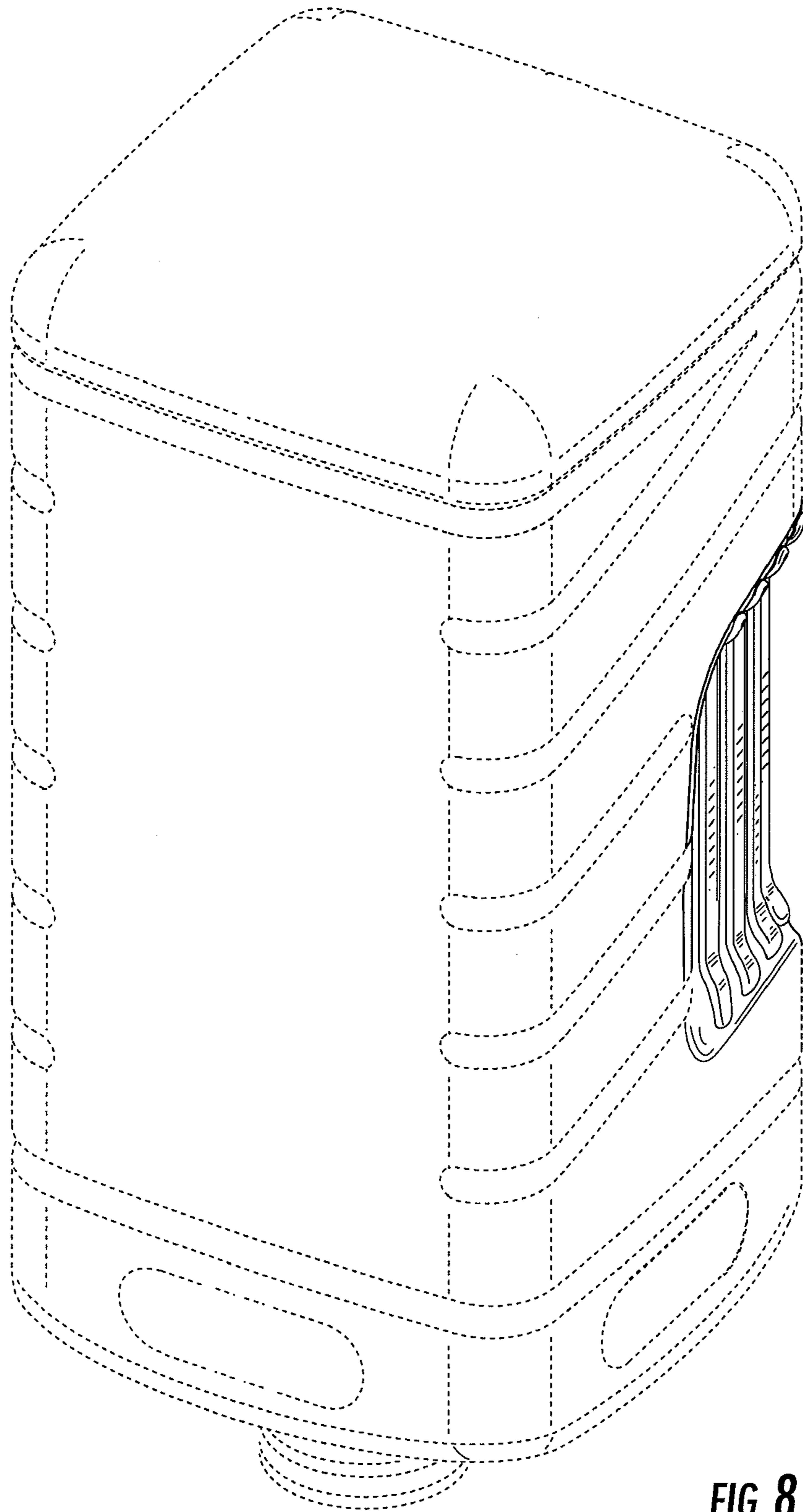


FIG. 8