



US00D559681S

(12) **United States Design Patent**
Buter et al.

(10) **Patent No.:** **US D559,681 S**
(45) **Date of Patent:** **** Jan. 15, 2008**

(54) **DISPENSER**

D478,504 S * 8/2003 Crozet et al. D9/708

(75) Inventors: **René Joachim Buter**, Vlaardingen (NL); **Taede Franciscus Kroon**, Vlaardingen (NL); **Theodoor Hendrik van de Poll**, Vlaardingen (NL)

* cited by examiner

Primary Examiner—Gary D. Watson

Assistant Examiner—Susan Bennett Hattan

(73) Assignee: **Conopco, Inc.**, Englewood Cliffs, NJ (US)

(74) *Attorney, Agent, or Firm*—Gerard J. McGowan, Jr.

(**) Term: **14 Years**

(57) **CLAIM**

(21) Appl. No.: **29/263,670**

An ornamental design for a dispenser, as shown and described.

(22) Filed: **Jul. 27, 2006**

(30) **Foreign Application Priority Data**

DESCRIPTION

Jan. 30, 2006 (EM) 000470323

(51) **LOC (8) Cl.** **09-07**

(52) **U.S. Cl.** **D9/447**

(58) **Field of Classification Search** D9/708, D9/705, 558, 520, 499, 447, 445, 440, 439, D9/435; D18/43; 222/95, 92, 88, 23, 105; 215/41, 40, 381, 375, 373; D3/202; D7/387, D7/397, 412, 415

See application file for complete search history.

FIG. 1 is a perspective view of a dispenser in accordance with our new design,

FIG. 2 is a top view of a dispenser in accordance with our new design,

FIG. 3 is a side view of a dispenser in accordance with our new design,

FIG. 4 is a side view of a dispenser in accordance with our new design; and,

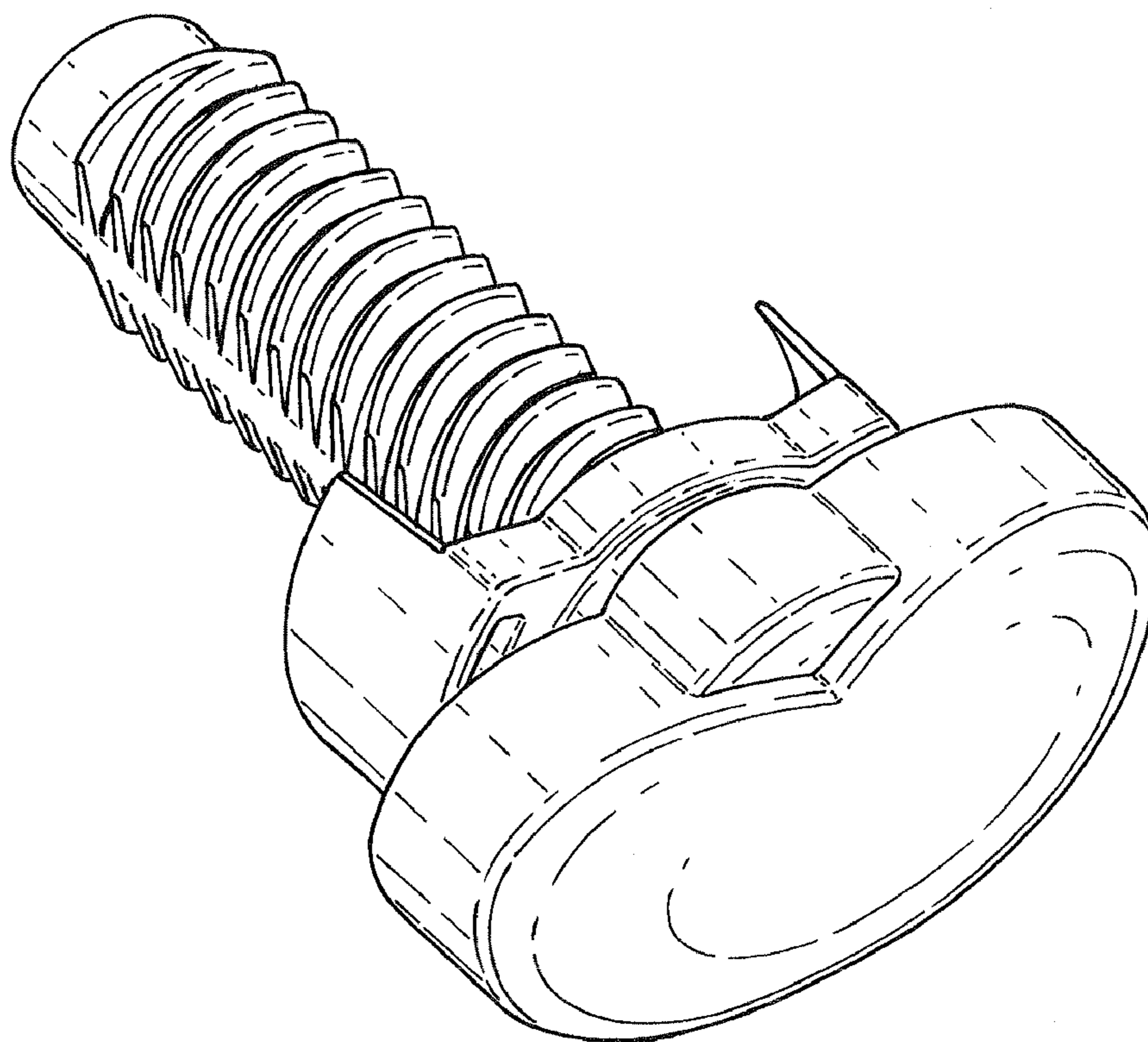
FIG. 5 is a side view of a dispenser in accordance with our new design.

(56) **References Cited**

U.S. PATENT DOCUMENTS

D467,769 S * 12/2002 Riendeau D9/447

1 Claim, 3 Drawing Sheets



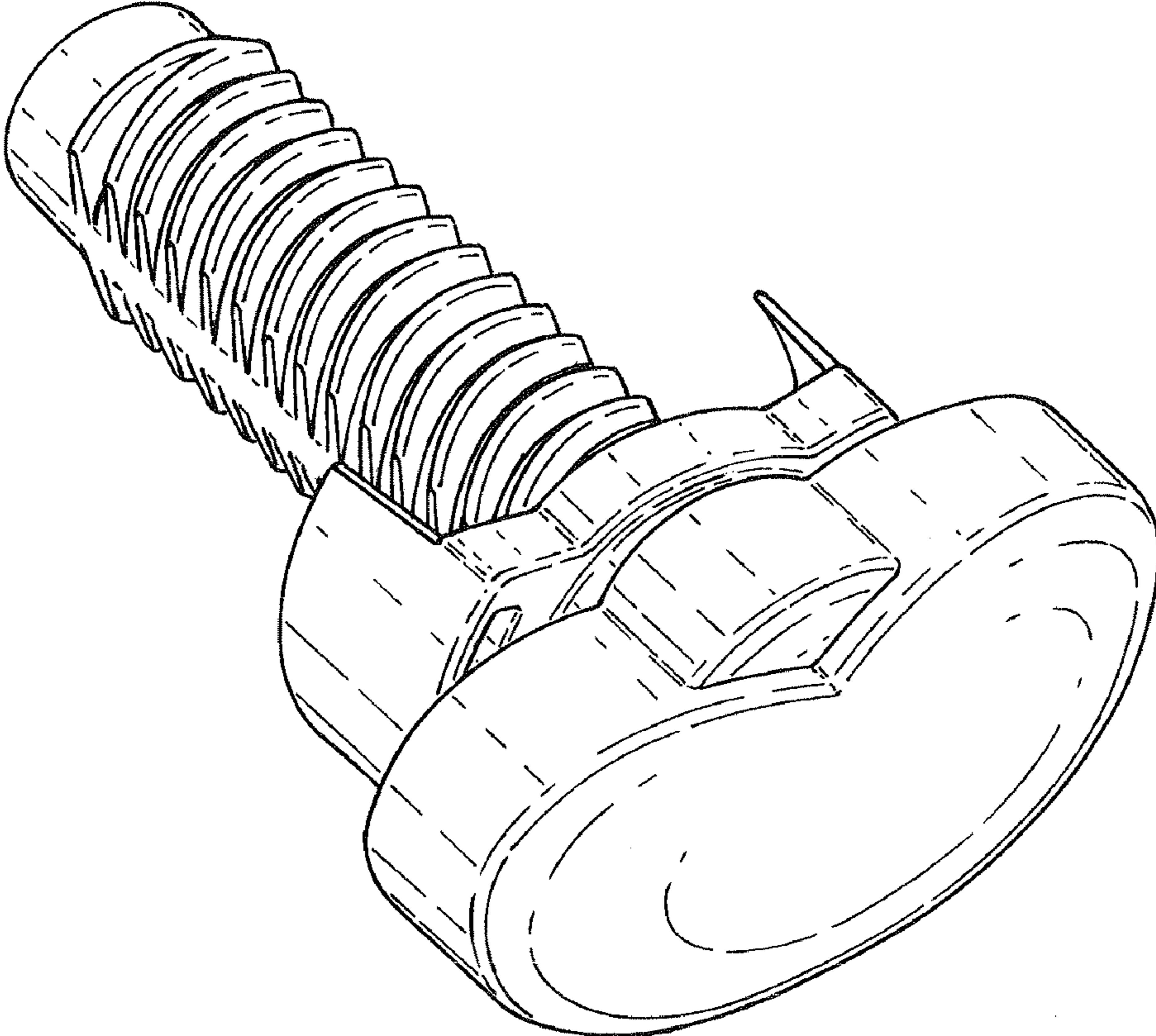


Fig. 1.

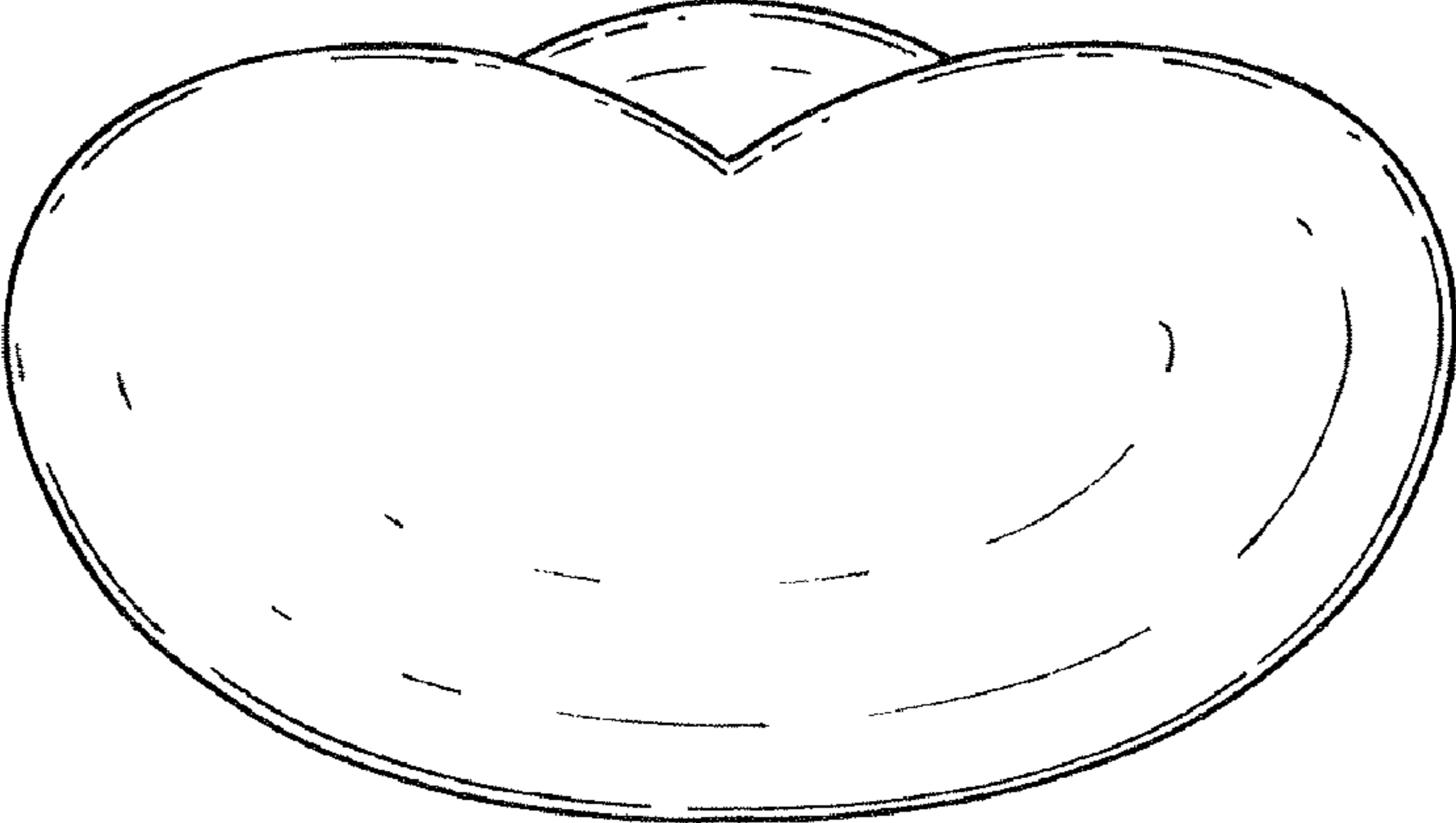


Fig. 2.

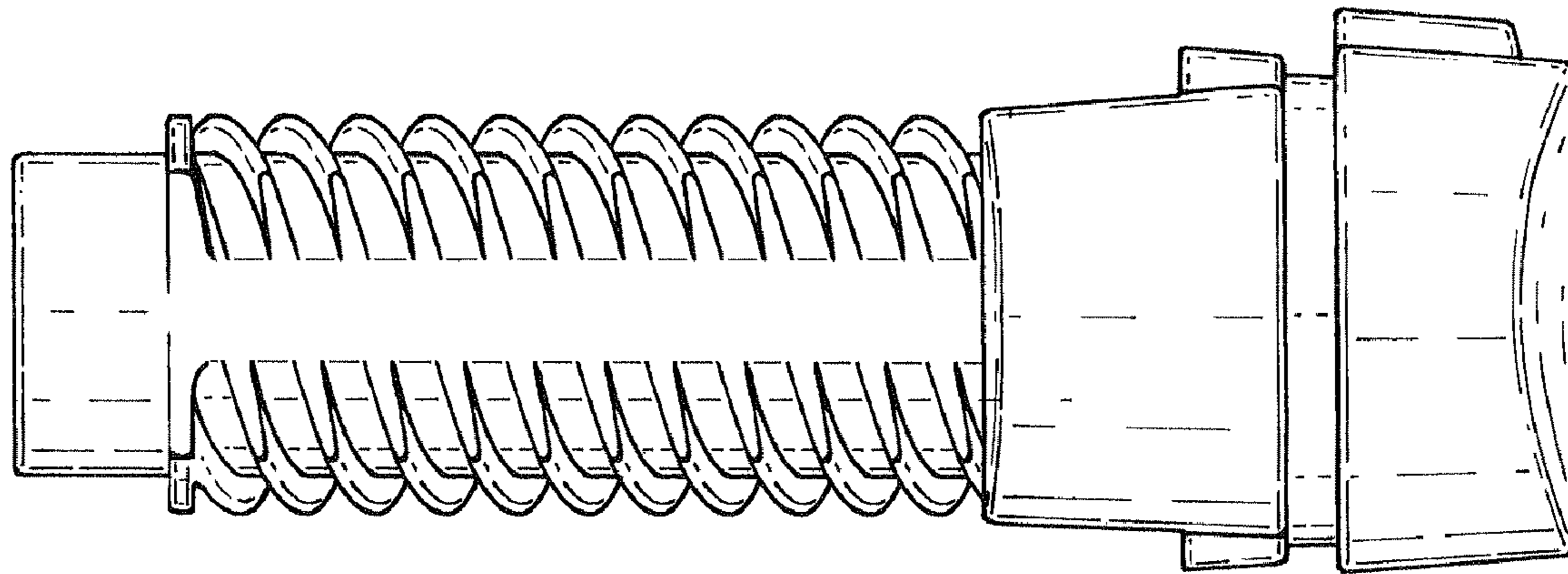


Fig.3.

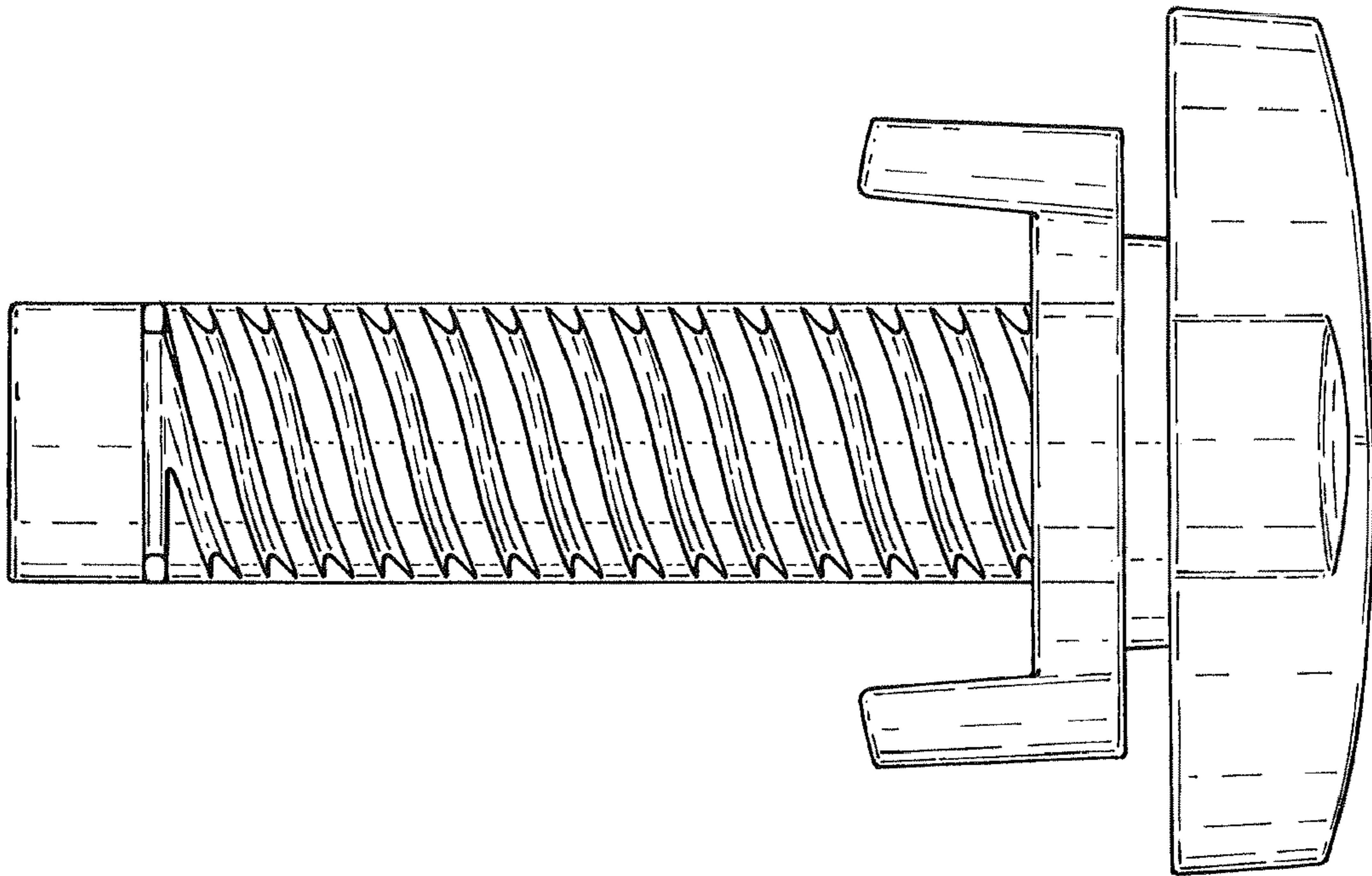


Fig.4.

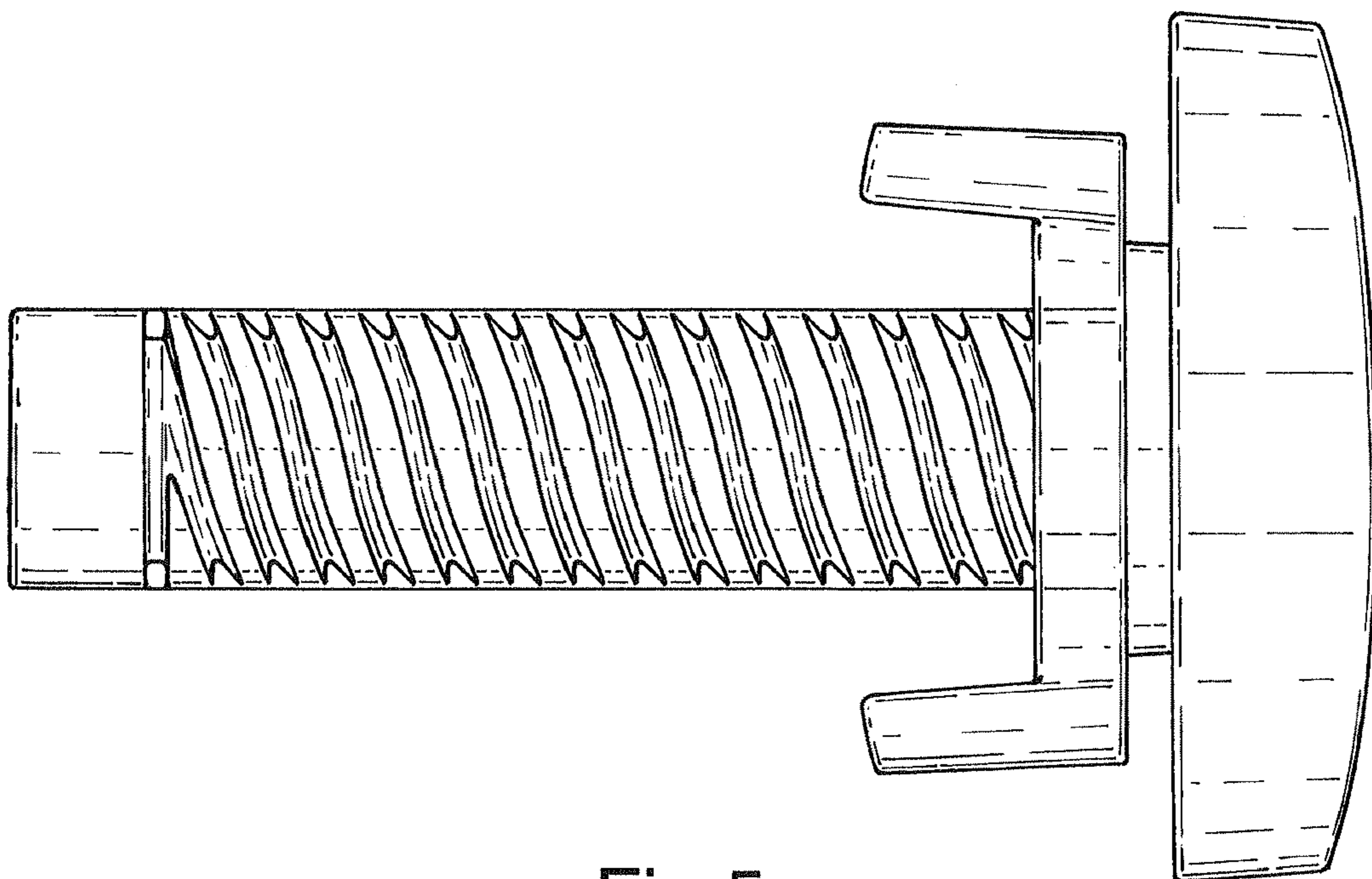


Fig.5.