



US00D559679S

(12) **United States Design Patent**  
**Findon**

(10) **Patent No.:** **US D559,679 S**  
(45) **Date of Patent:** **\*\* Jan. 15, 2008**

(54) **BAG HANDLE**

(76) Inventor: **Michael Findon**, 3117 Kaileen Cir.  
North East, Palm Bay, FL (US)  
32905-3034

(\*\*) Term: **14 Years**

(21) Appl. No.: **29/279,650**

(22) Filed: **May 4, 2007**

**Related U.S. Application Data**

(63) Continuation of application No. 11/339,376, filed on  
Jan. 26, 2006, now abandoned.

(51) **LOC (8) Cl.** ..... **09-07**

(52) **U.S. Cl.** ..... **D9/434**

(58) **Field of Classification Search** ..... D9/434,  
D9/435, 455, 499; 294/31.2, 137, 142, 143,  
294/148-152, 156-159, 162, 163, 165-167,  
294/170, 171; D8/71, 356; D3/201, 232,  
D3/239, 242, 243, 256, 328; 16/114.1, 406,  
16/422, 425, 428; 383/6, 13, 25, 26, 29  
See application file for complete search history.

(56) **References Cited**

**U.S. PATENT DOCUMENTS**

D295,727 S	5/1988	Clarke	
4,772,059 A *	9/1988	Parry et al. ....	294/170
D359,235 S	6/1995	Kennedy	
5,441,323 A *	8/1995	Goddard ....	294/158
D362,621 S	9/1995	Blocker	
D369,470 S *	5/1996	Suggs, Sr. ....	D3/328
D374,622 S	10/1996	Winborne	
D386,682 S	11/1997	Richardson	
D394,351 S *	5/1998	Henderson ....	D3/328
5,852,851 A	12/1998	Cooper	
D422,867 S *	4/2000	Forbes ....	D8/71

6,347,822 B1	2/2002	Miller, Jr.	
D455,348 S *	4/2002	Fludd .....	D9/455
D469,015 S	1/2003	Le Roux	
D483,668 S *	12/2003	Le Roux .....	D9/434
6,883,207 B2 *	4/2005	Le Roux .....	16/428
D508,323 S	8/2005	Douglas	
7,097,223 B1	8/2006	Bradford	
D544,792 S *	6/2007	Camarella .....	D9/434
7,232,168 B2 *	6/2007	Orefice .....	294/137
2006/0087139 A1	4/2006	Ayres	

**OTHER PUBLICATIONS**

U.S. Appl. No. 11/339,376, filed Aug. 10, 2006, Michael Findon.

\* cited by examiner

*Primary Examiner*—T. Chase Nelson

*Assistant Examiner*—Barbara B Lohr

(57) **CLAIM**

The ornamental design for a bag handle, as shown.

**DESCRIPTION**

FIG. 1 is a front perspective view of the bag handle according to the invention.

FIG. 2 is a front elevational view of the bag handle of FIG. 1.

FIG. 3 is a rear elevational view of the bag handle of FIG. 1.

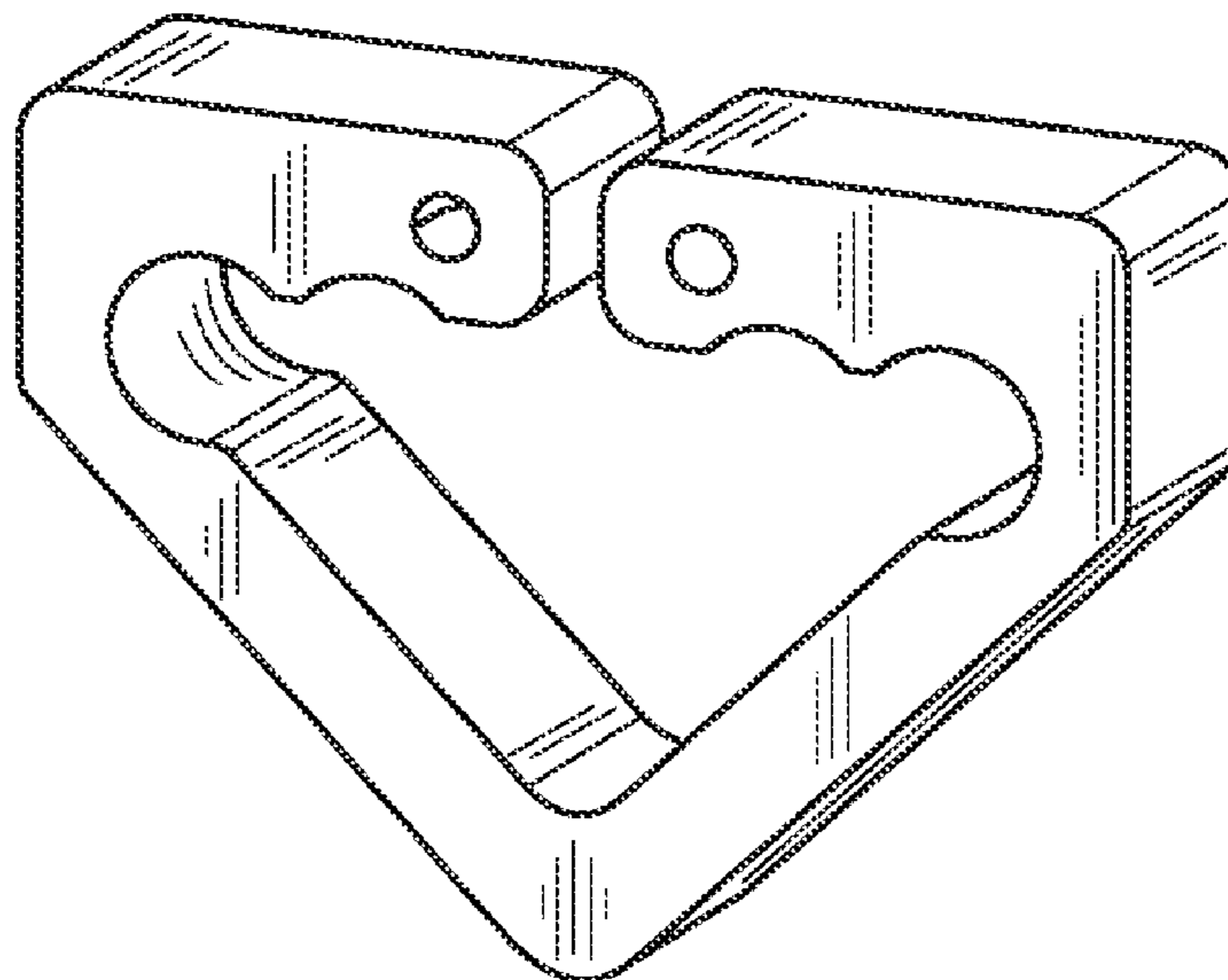
FIG. 4 is a side elevational view of the bag handle of FIG. 1.

FIG. 5 is a different side elevational view of the bag handle of FIG. 1.

FIG. 6 is a top plan view of the bag handle of FIG. 1; and,

FIG. 7 is a bottom plan view of the bag handle of FIG. 1.

**1 Claim, 1 Drawing Sheet**



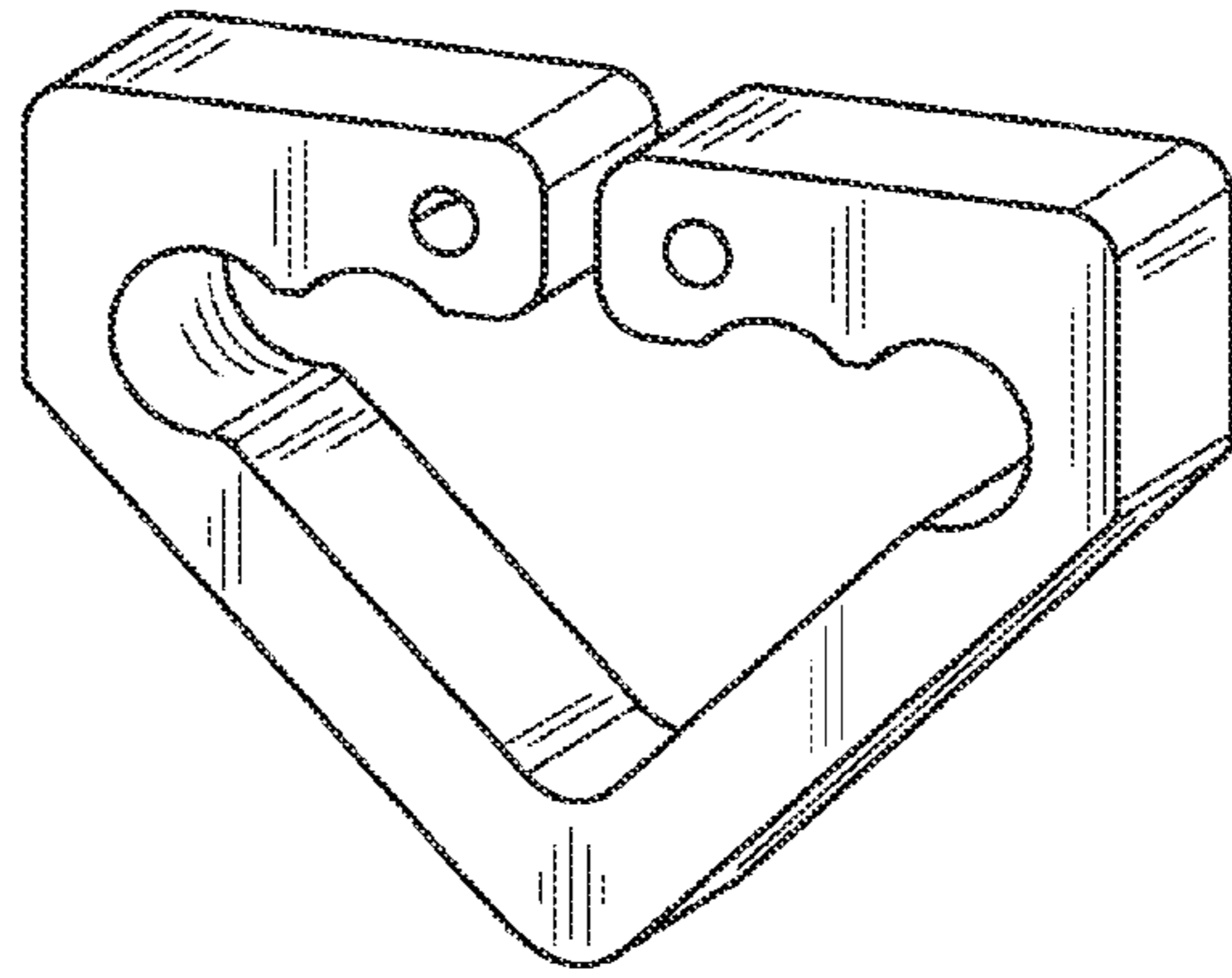


FIG. 1

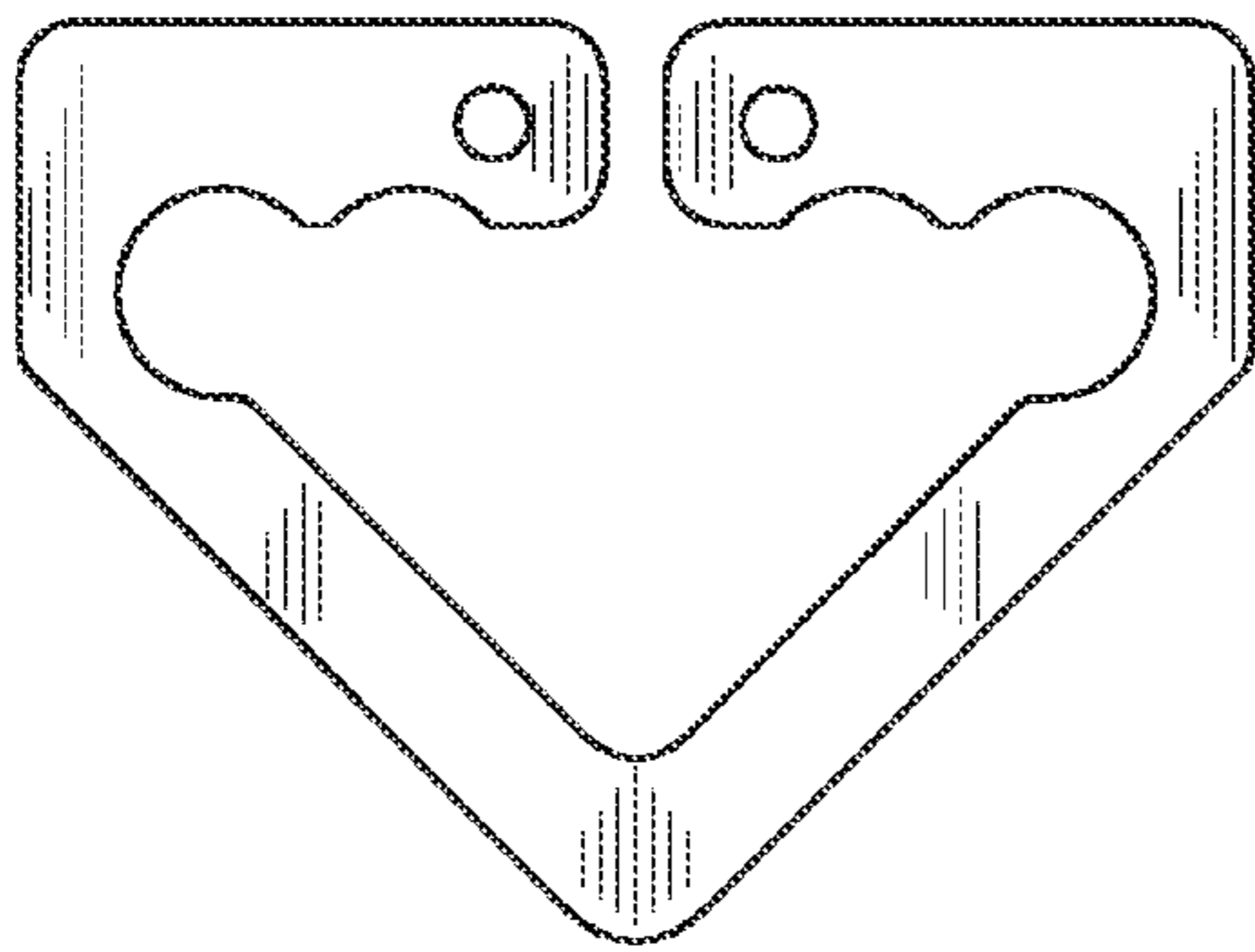


FIG. 2

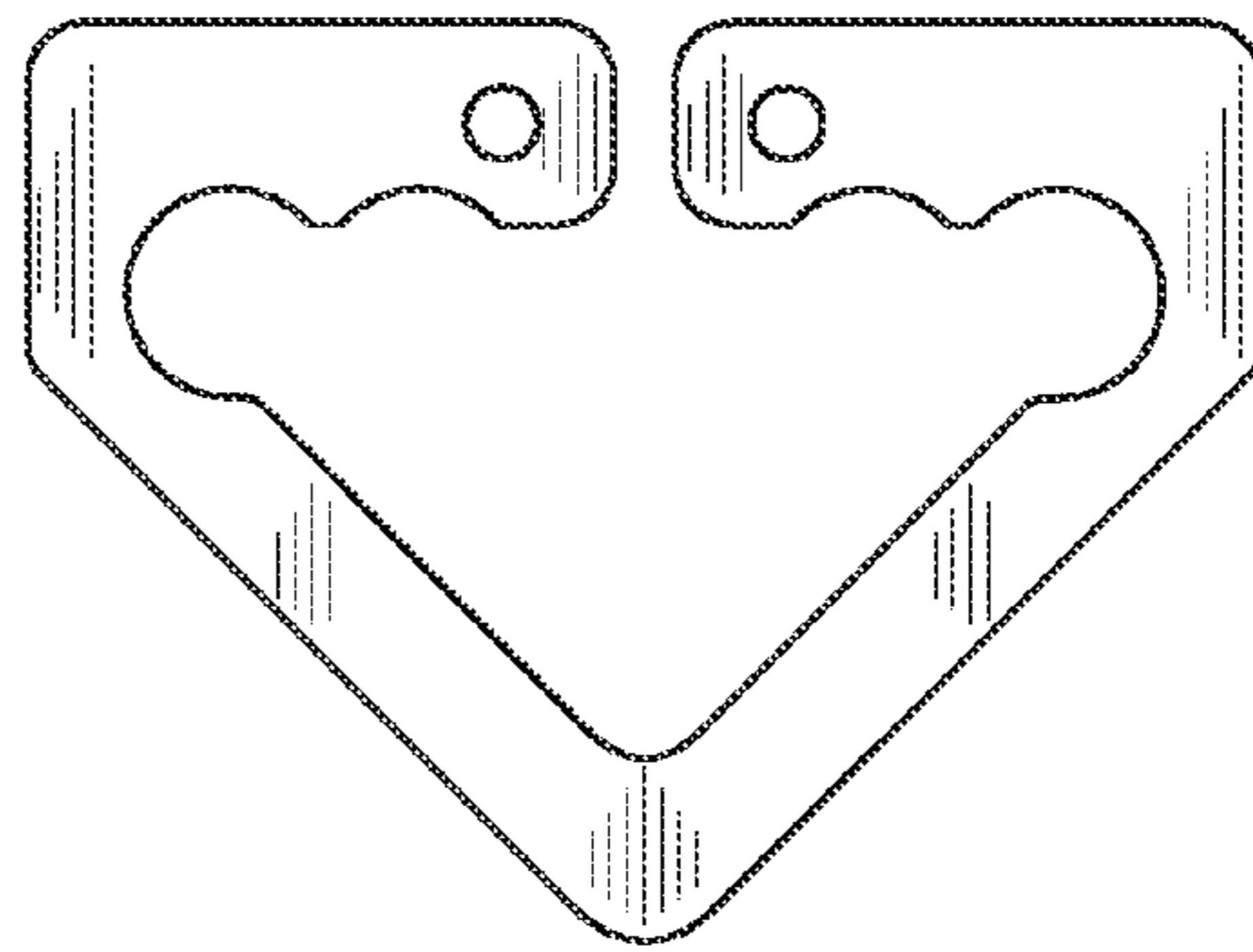


FIG. 3

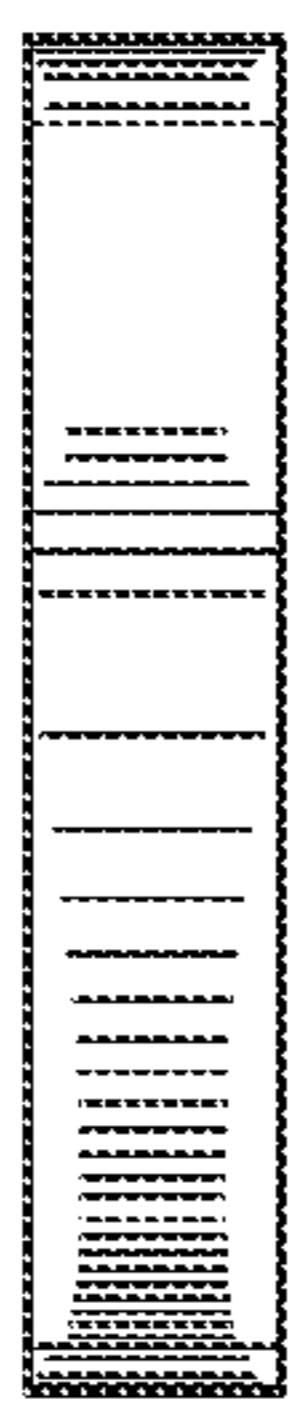


FIG. 4

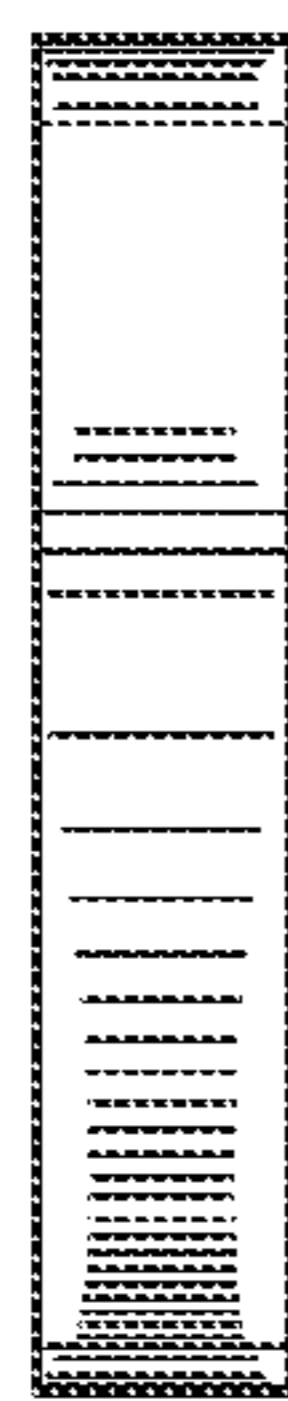


FIG. 5

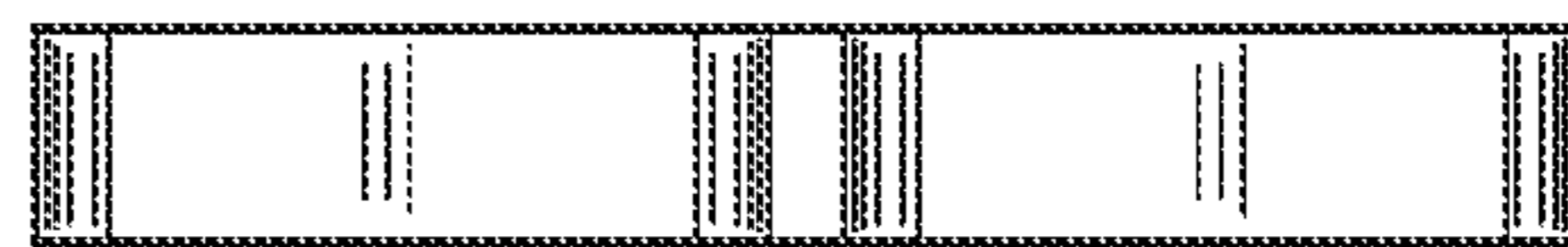


FIG. 6

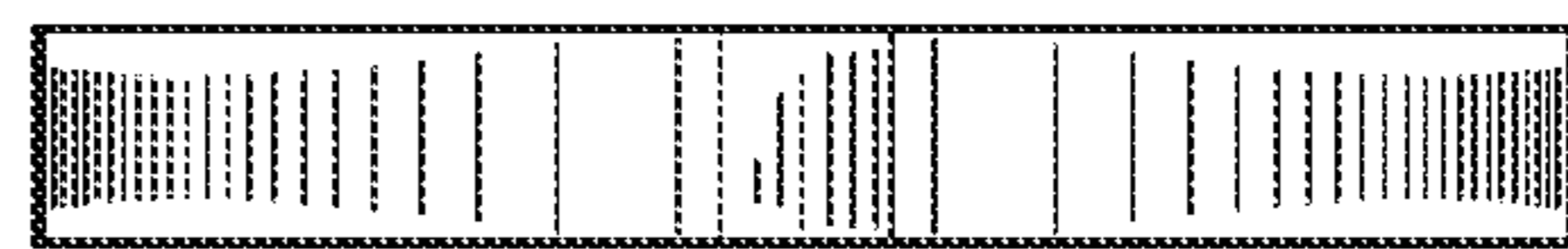


FIG. 7