



US00D559676S

(12) **United States Design Patent** (10) **Patent No.:** **US D559,676 S**
Kutsch et al. (45) **Date of Patent:** **** Jan. 15, 2008**

(54) **CONTAINER**

(75) Inventors: **John H Kutsch**, Crystal Lake, IL (US);
Rutger Thiellier, Chicago, IL (US);
Andrew Vest, Midlothian, VA (US)

5,082,137 A 1/1992 Weinstein
5,275,291 A 1/1994 Sledge
D352,895 S 11/1994 van Loo
D371,723 S 7/1996 Hirao

(Continued)

(73) Assignee: **Philip Morris USA Inc.**, Richmond,
VA (US)

OTHER PUBLICATIONS

(**) Term: **14 Years**

“How to Revel,” <http://www.revel.com/How.aspx>, copyright dated 2005.

(21) Appl. No.: **29/274,677**

Primary Examiner—Selina Sikder
Assistant Examiner—Thomas J Johannes

(22) Filed: **May 15, 2007**

(74) *Attorney, Agent, or Firm*—Buchanan Ingersoll & Rooney, PC

Related U.S. Application Data

(62) Division of application No. 29/234,325, filed on Jul. 18, 2005, now Pat. No. Des. 545,185.

(57) **CLAIM**

The ornamental design for a container, as shown and described.

(51) **LOC (8) Cl.** **09-03**

(52) **U.S. Cl.** **D9/420**

(58) **Field of Classification Search** D9/414,
D9/417, 420–435, 440, 447, 499, 760–770,
D9/756; 206/37, 494, 527, 499–502, 457;
220/620, 656, 659, 669, 765, 890; 229/400–404,
229/915, 939, 116.5, 201, 100, 123–126,
229/188; D28/82, 91.1

See application file for complete search history.

DESCRIPTION

FIG. 1 is a front, right side and top perspective view of a container showing a first embodiment of my new design in a closed position, the other side being a mirror image thereof.

FIG. 2 is a front, right side and top perspective view thereof in an open position, the other side being a mirror image thereof.

FIG. 3 is a bottom, left side and rear perspective view thereof, the other side being a mirror image thereof.

FIG. 4 is a front, right side and top perspective view of a container showing a second embodiment of my new design in a closed position, the other side being a mirror image thereof.

FIG. 5 is a front, right side and top perspective view thereof in an open position, the other side being a mirror image thereof; and,

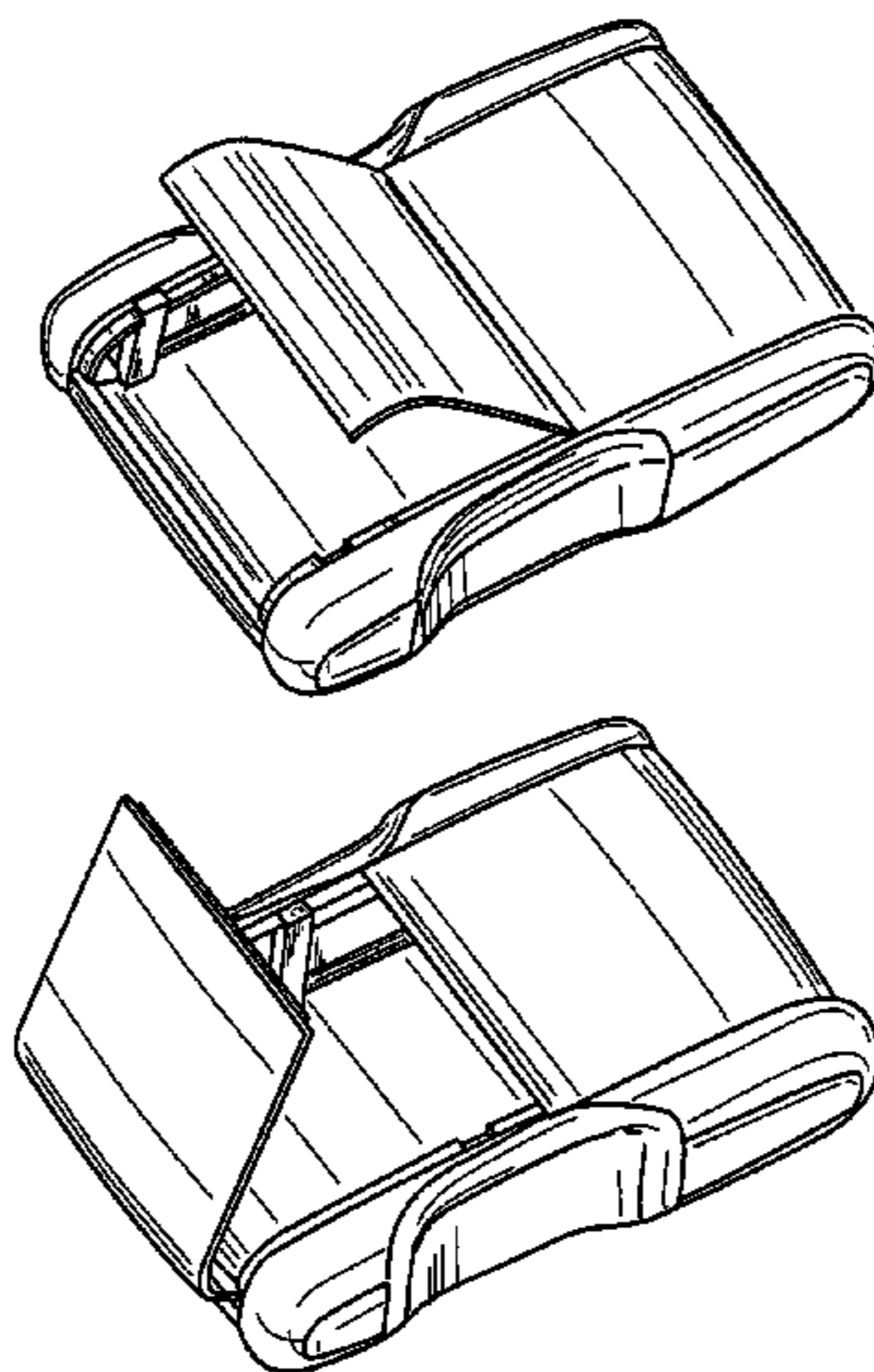
FIG. 6 is a front, left side and bottom perspective view thereof.

(56) **References Cited**

U.S. PATENT DOCUMENTS

1,354,211 A	9/1920	Reed
1,985,335 A	12/1934	Bloss
4,076,117 A	2/1978	Wisdom et al.
4,113,098 A	9/1978	Howard
4,126,244 A	11/1978	Elser
4,174,034 A	11/1979	Hoo
4,364,488 A	12/1982	Anjou
4,485,915 A	12/1984	Berghahn
4,561,544 A	12/1985	Reeve
4,844,284 A	7/1989	Drozd et al.
4,932,547 A	6/1990	Rodriguez
5,080,222 A	1/1992	McNary

1 Claim, 3 Drawing Sheets



US D559,676 S

Page 2

U.S. PATENT DOCUMENTS

D407,972 S	4/1999	Hilton	D494,466 S	8/2004	Devine
D446,718 S	8/2001	Anderson	D497,246 S	10/2004	Darst
D448,668 S	10/2001	Baerenwald et al.	D497,803 S	11/2004	Nichols et al.
D451,799 S	12/2001	Berger et al.	6,981,591 B2	1/2006	Logan
6,341,693 B2	1/2002	Konno et al.	D531,023 S	10/2006	Tanner
6,341,710 B1	1/2002	Danielson et al.	D534,070 S *	12/2006	Tanner D9/426
D460,352 S	7/2002	Bried	D535,184 S *	1/2007	Tanner D9/422
D464,567 S	10/2002	Baerenwald et al.	D535,185 S *	1/2007	Tanner D9/422
D465,729 S	11/2002	Nishimura	D545,185 S *	6/2007	Kutsch et al. D9/420
D467,801 S	12/2002	Baerenwald et al.	D546,174 S *	7/2007	Kutsch et al. D9/420
D474,402 S	5/2003	Baerenwald	D547,647 S *	7/2007	Kutsch et al. D9/420
D478,280 S	8/2003	Miller et al.	2004/0173613 A1	9/2004	Schroeder et al.

* cited by examiner

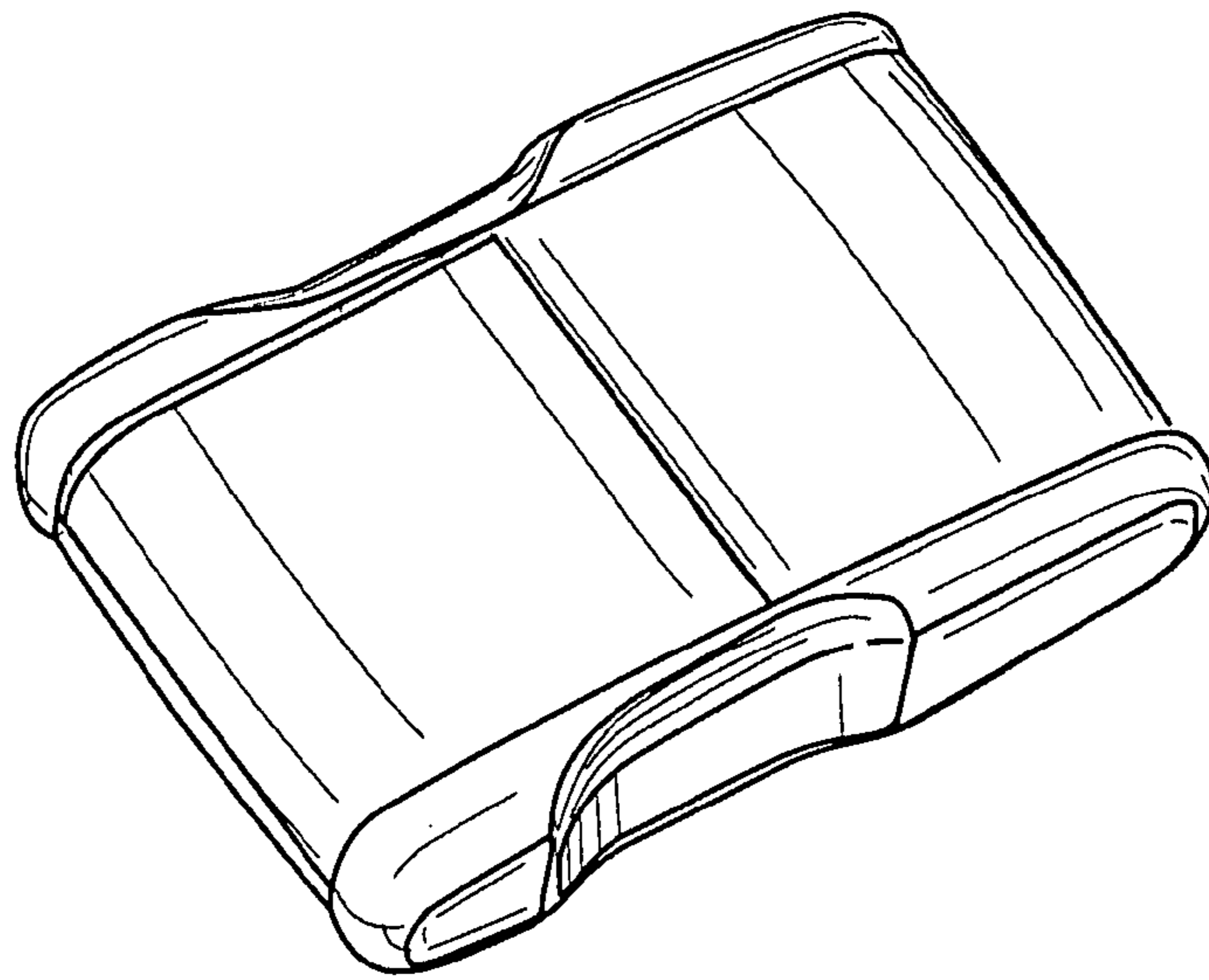


FIG. 1

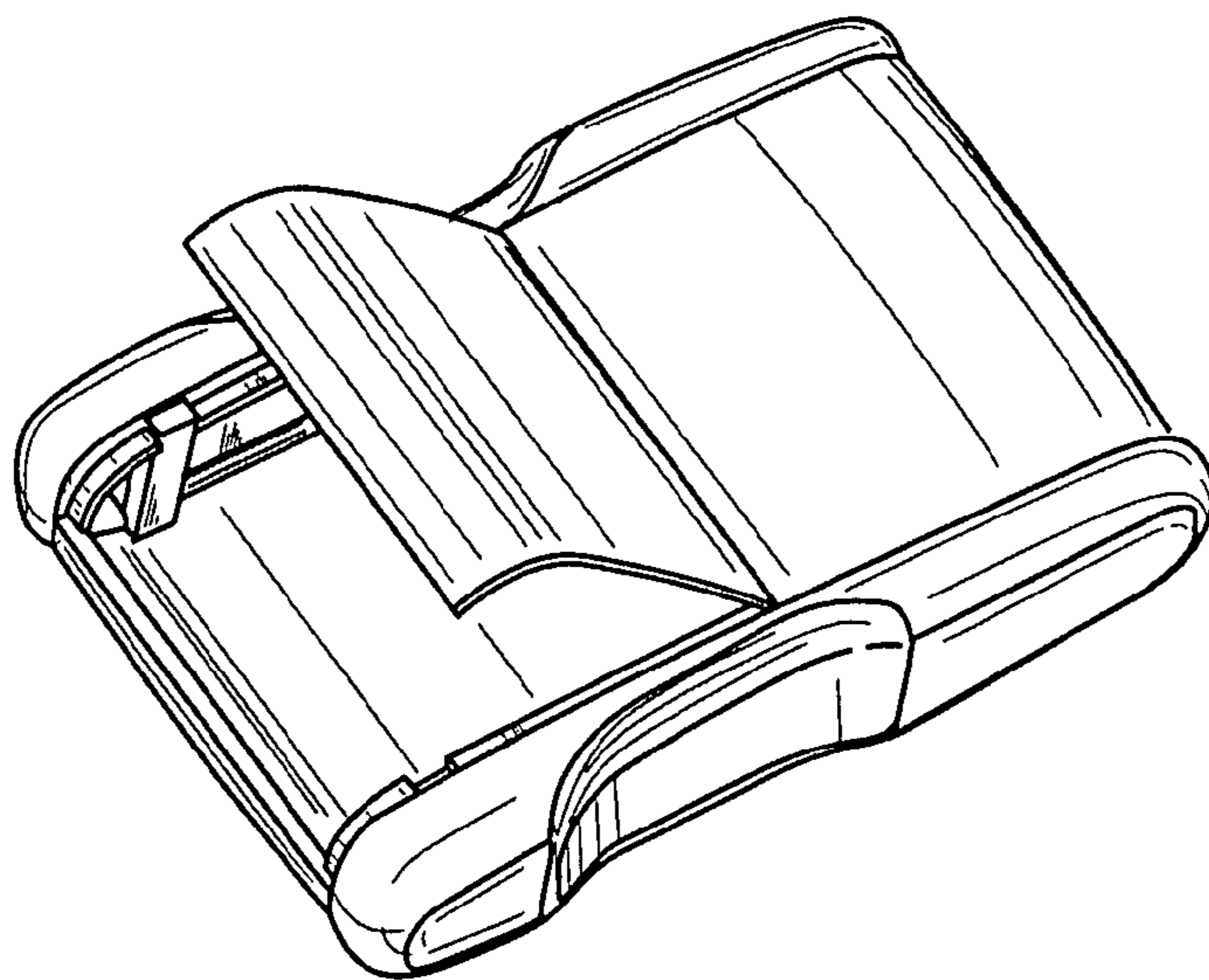


FIG. 2

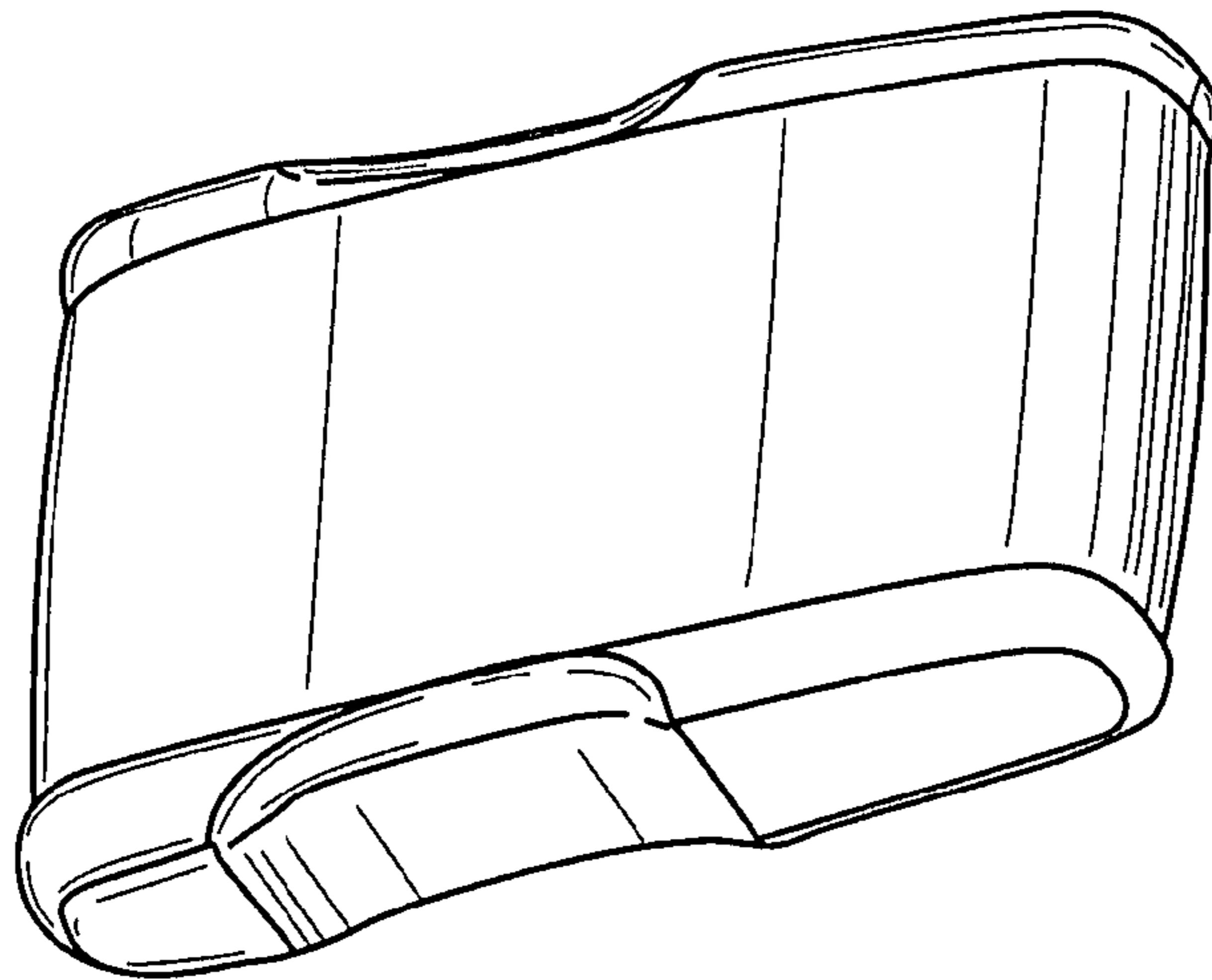


FIG. 3

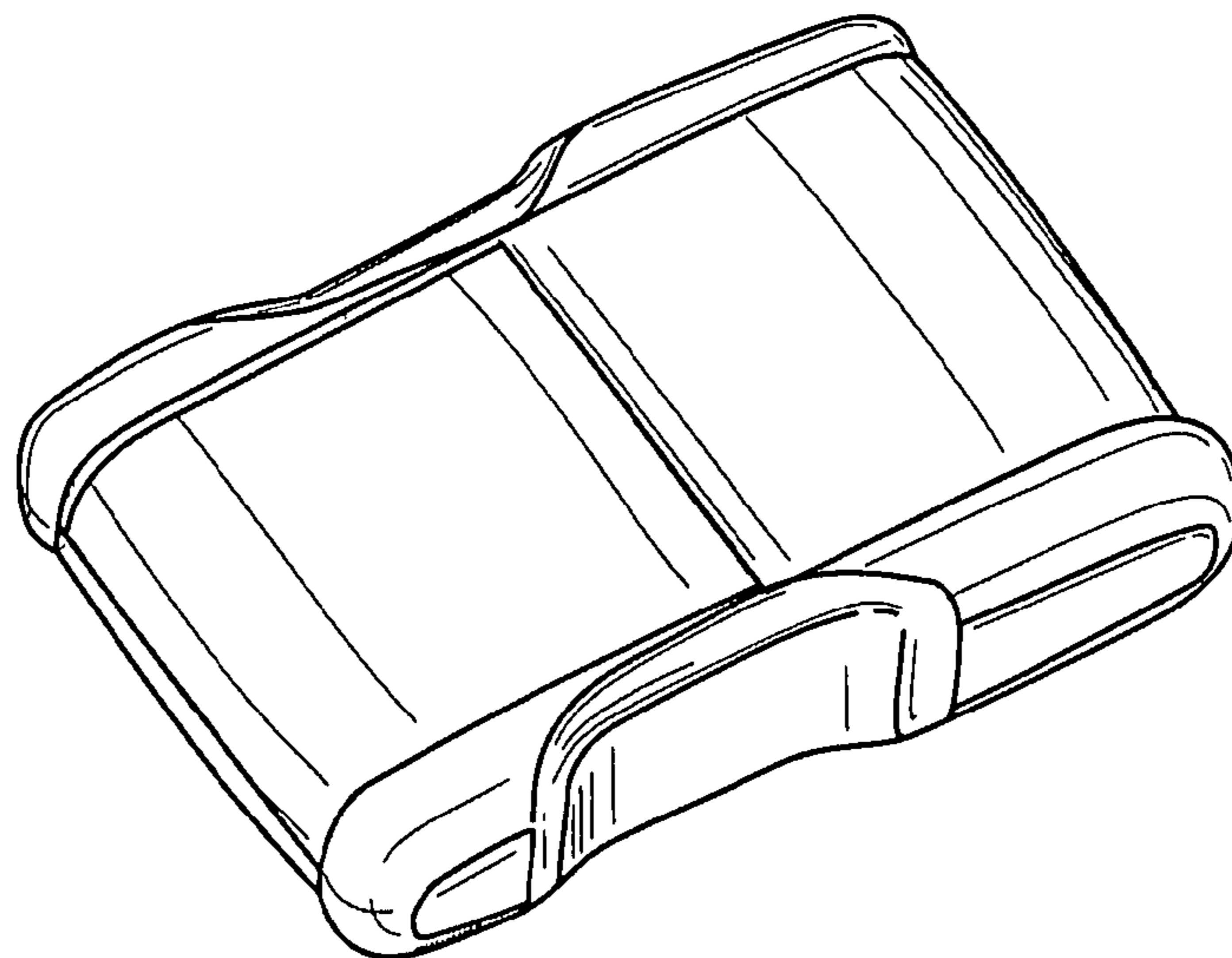


FIG. 4

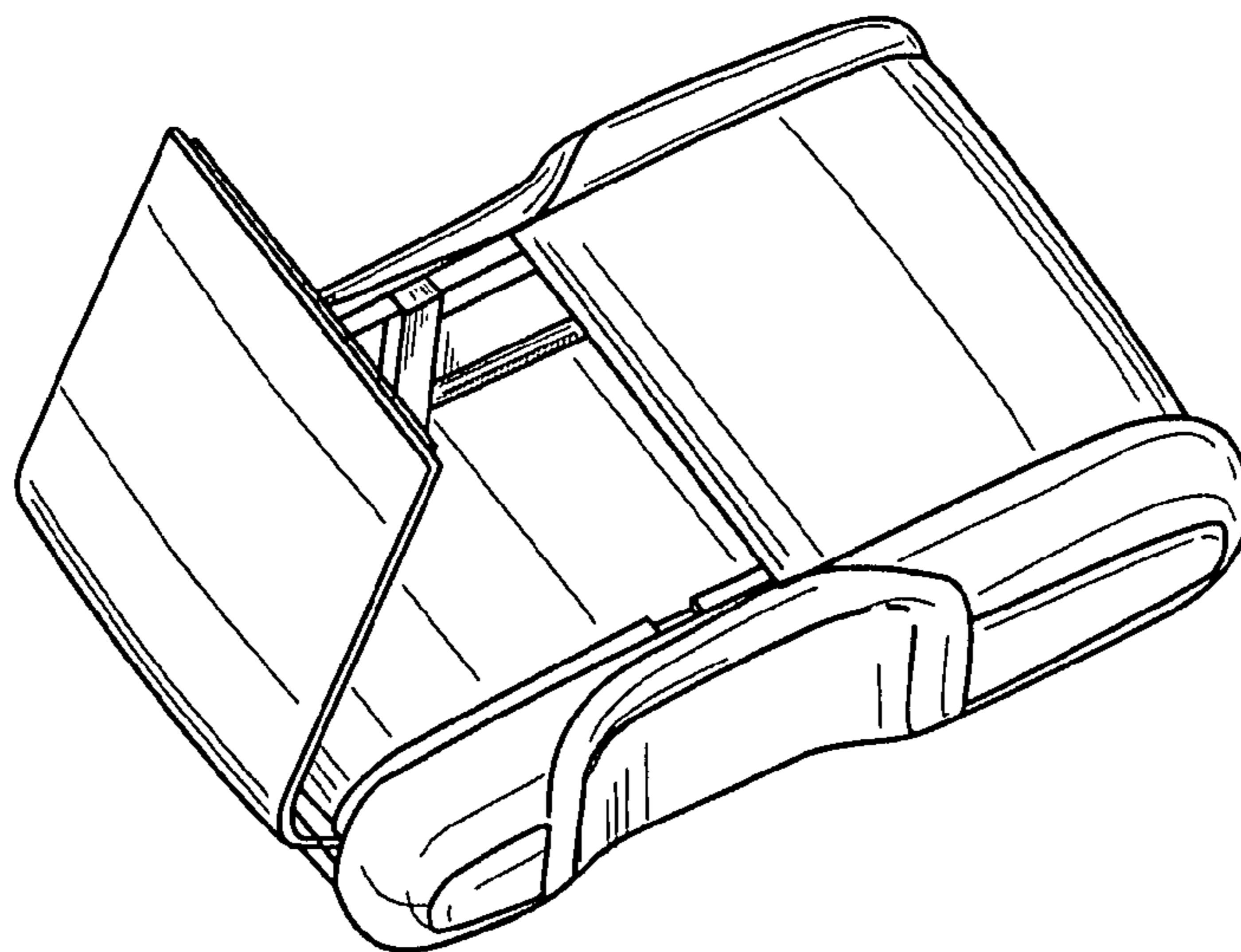


FIG. 5

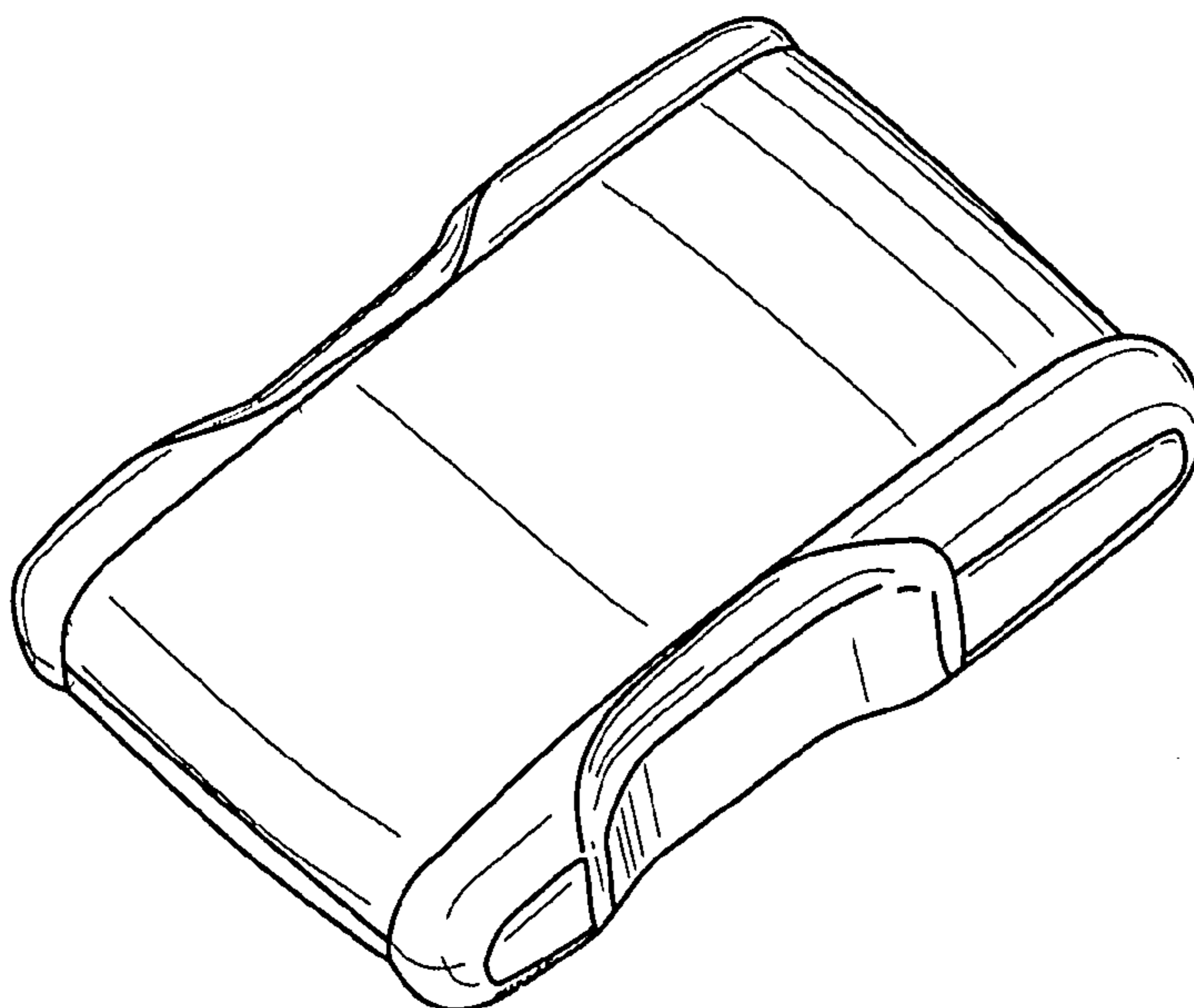


FIG. 6