



US00D559672S

(12) **United States Design Patent**
Alexander

(10) **Patent No.:** **US D559,672 S**
(45) **Date of Patent:** **** Jan. 15, 2008**

(54) **CLIP FOR REFRACTORY ANCHOR**

(74) *Attorney, Agent, or Firm*—Head, Johnson & Kachigian

(76) Inventor: **Michael E. Alexander**, 4171 N.
Pleasantview, Ponca City, OK (US)
74601

(57) **CLAIM**

The ornamental design for a clip for refractory anchor, as shown and described.

(**) Term: **14 Years**

DESCRIPTION

(21) Appl. No.: **29/281,449**

FIG. 1 is a perspective view of a clip for refractory anchor constructed in accordance with the present invention;

(22) Filed: **Jun. 22, 2007**

FIG. 2 is a bottom view of a clip for refractory anchor as shown in FIG. 1;

(51) **LOC (8) Cl.** **08-08**

(52) **U.S. Cl.** **D8/395; D8/384**

(58) **Field of Classification Search** D8/356,
D8/371, 394–396, 384; D19/65; 248/74.2,
248/215, 227.1, 49, 300, 301, 316.7, 51,
248/489; 52/378

FIG. 3 is a rear view of a clip for refractory anchor as shown in FIG. 1;

FIG. 4 is a top view of a clip for refractory anchor as shown in FIG. 1;

See application file for complete search history.

FIG. 5 is a front view of a clip for refractory anchor as shown in FIG. 1;

(56) **References Cited**

U.S. PATENT DOCUMENTS

FIG. 6 is a right side view of a clip for refractory anchor as shown in FIG. 1;

3,029,055	A *	4/1962	Smith	248/228.3
4,317,418	A *	3/1982	Courshon et al.	110/331
4,473,983	A *	10/1984	Vance	52/378
4,908,915	A *	3/1990	Ruggles et al.	24/336
5,335,890	A *	8/1994	Pryor et al.	248/343
6,058,859	A *	5/2000	Colosimo, Jr.	110/332

FIG. 7 is a sectional view taken along section line 7—7 of FIG. 4; and,

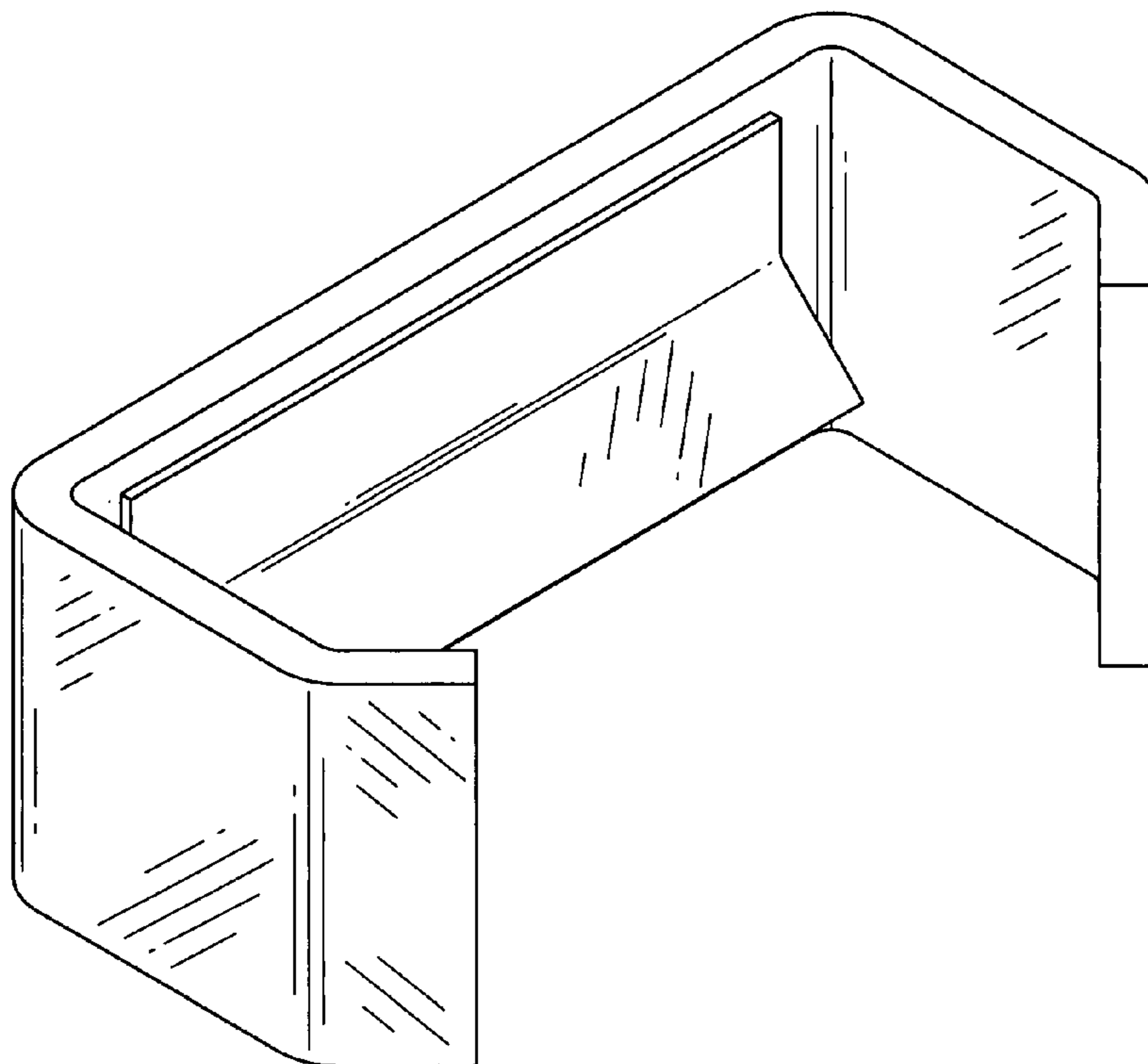
FIG. 8 is a perspective view of a clip for refractory anchor as shown in FIG. 1 shown in use.

* cited by examiner

The broken line showing of a refractory brick in FIG. 8 is included for the purpose of illustrating environment and forms no part of the claimed design.

Primary Examiner—Stella M. Reid
Assistant Examiner—John Windmuller

1 Claim, 4 Drawing Sheets



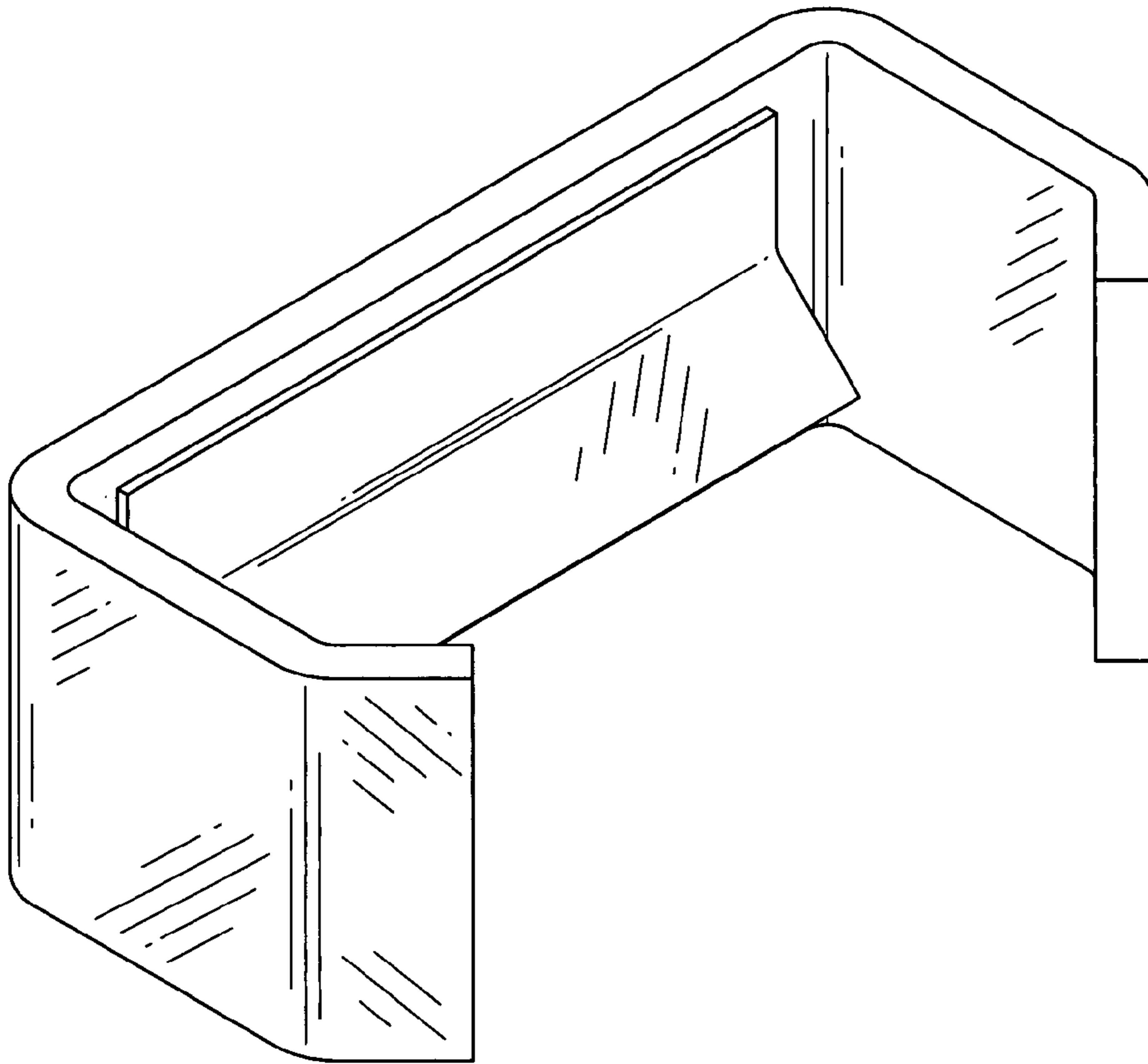


FIG. 1

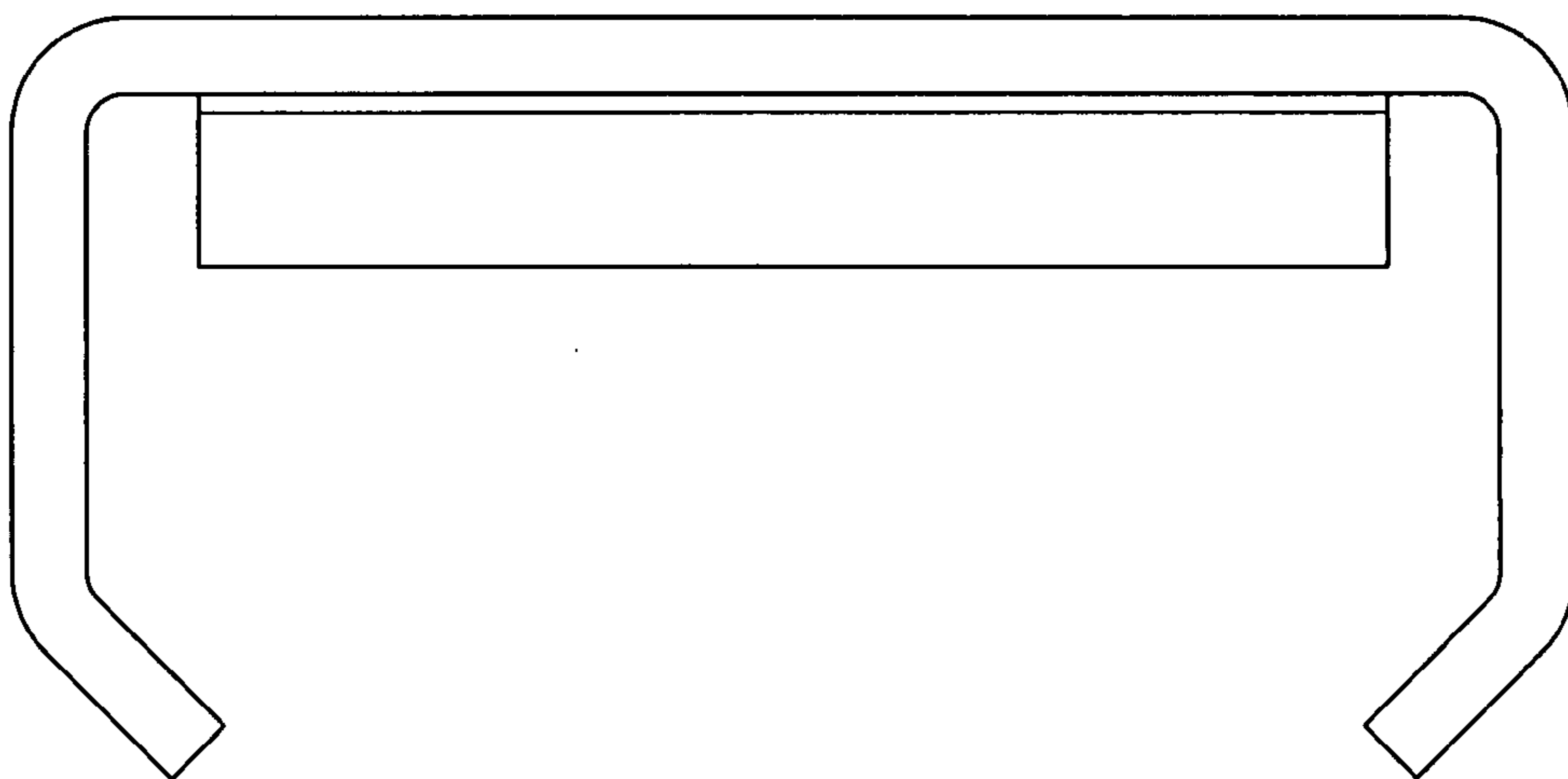


FIG. 2

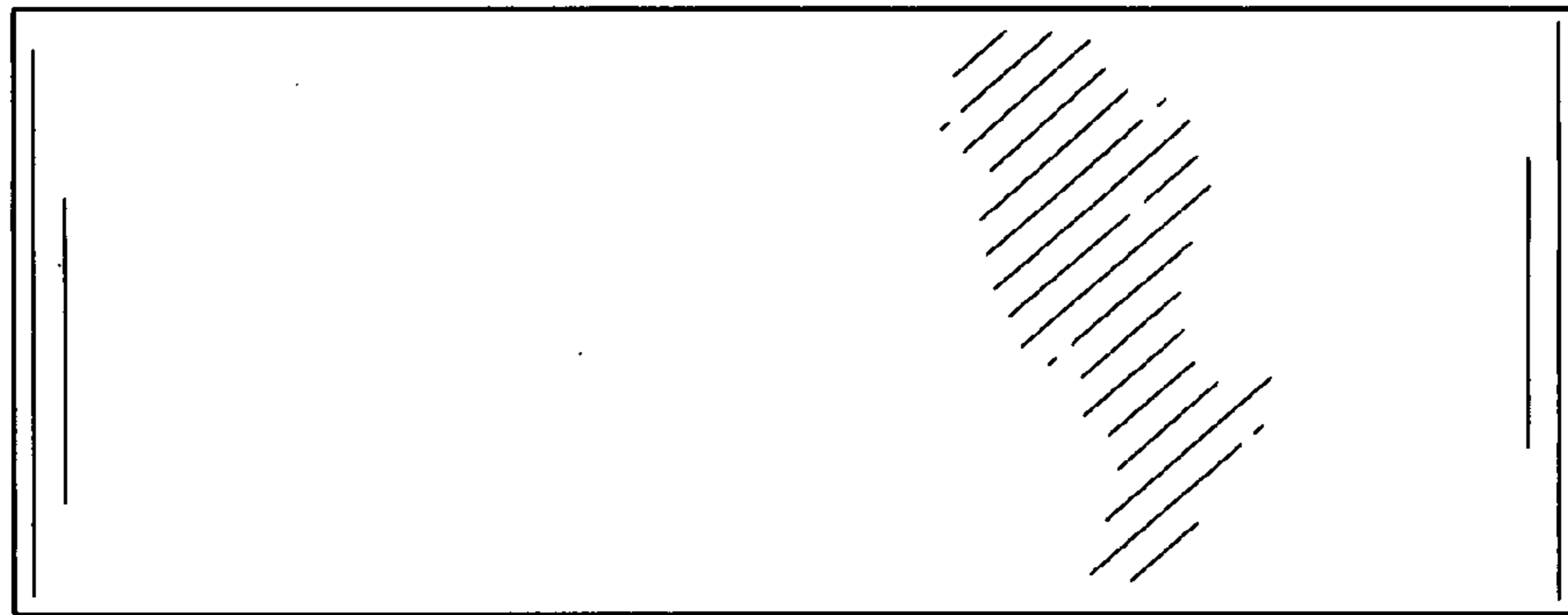


FIG. 3

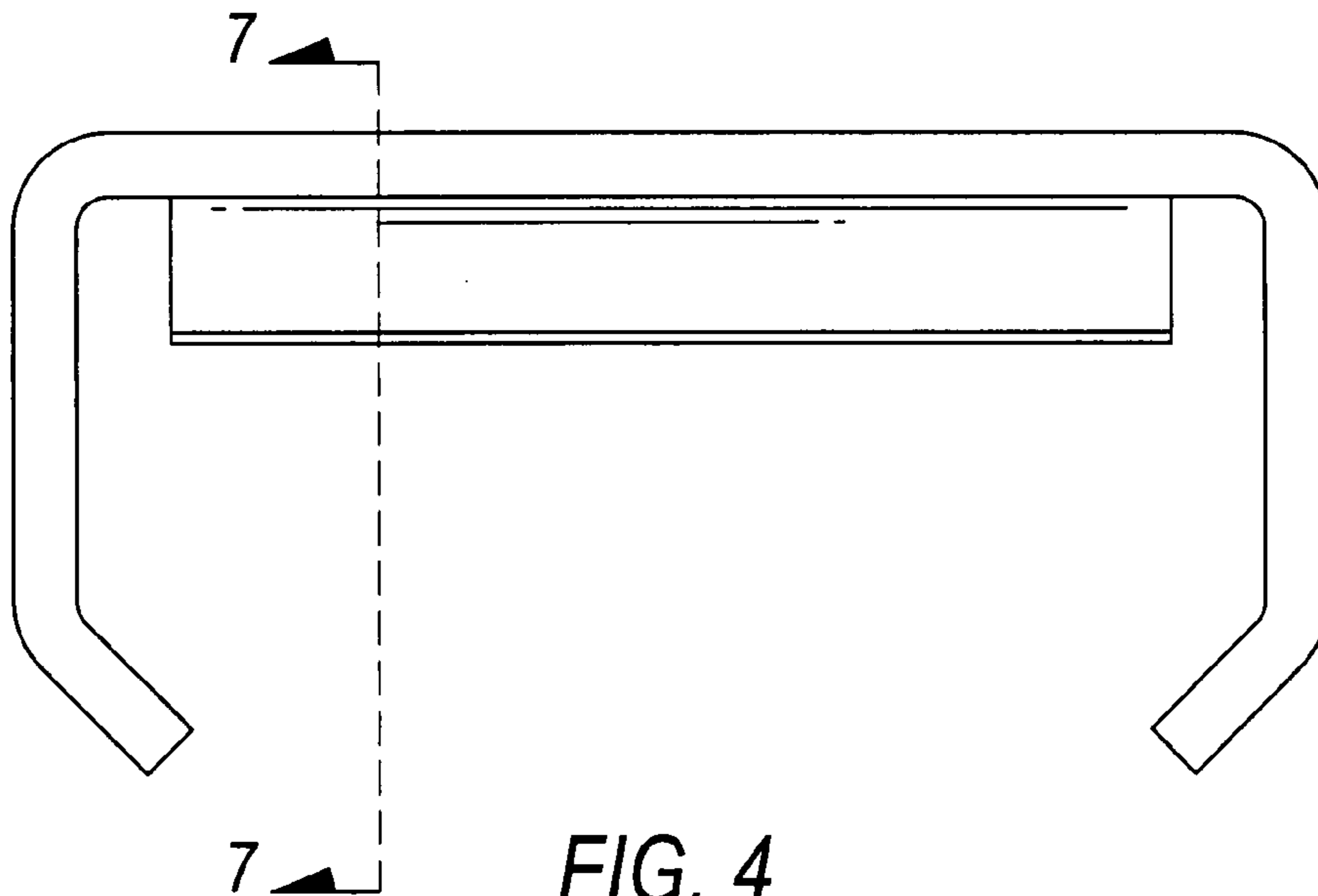


FIG. 4

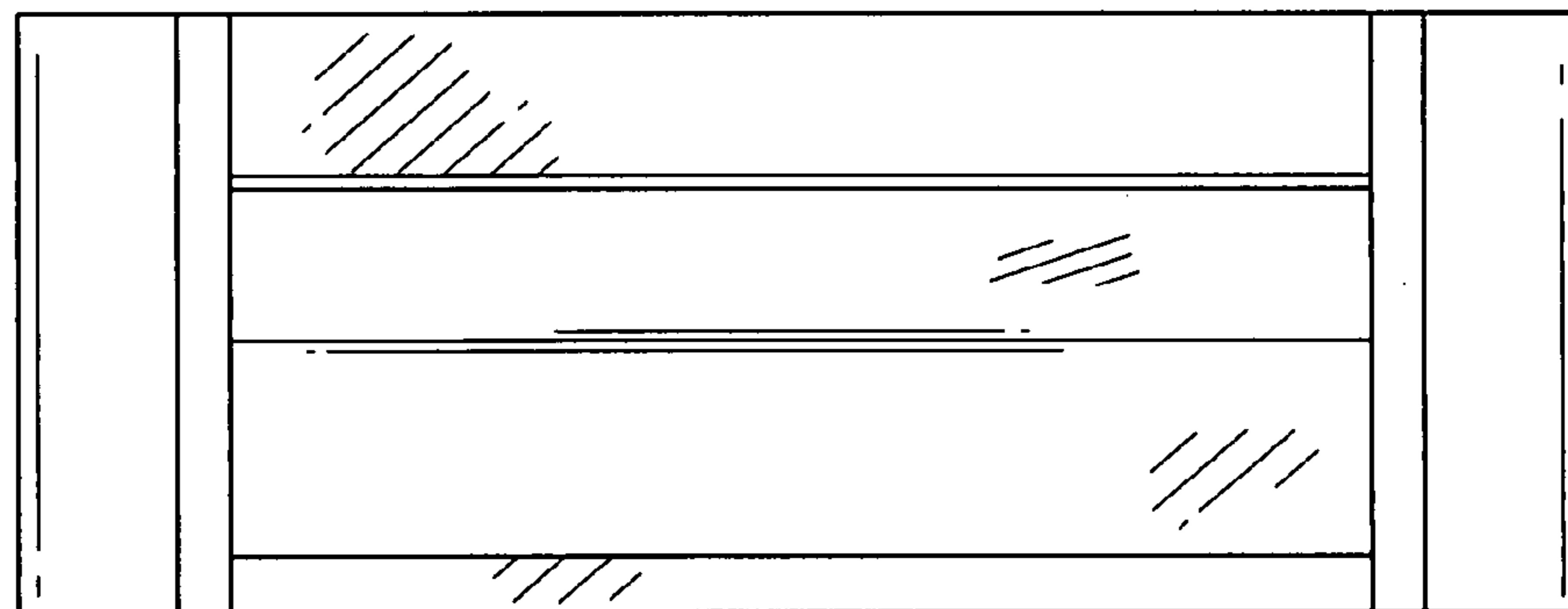


FIG. 5

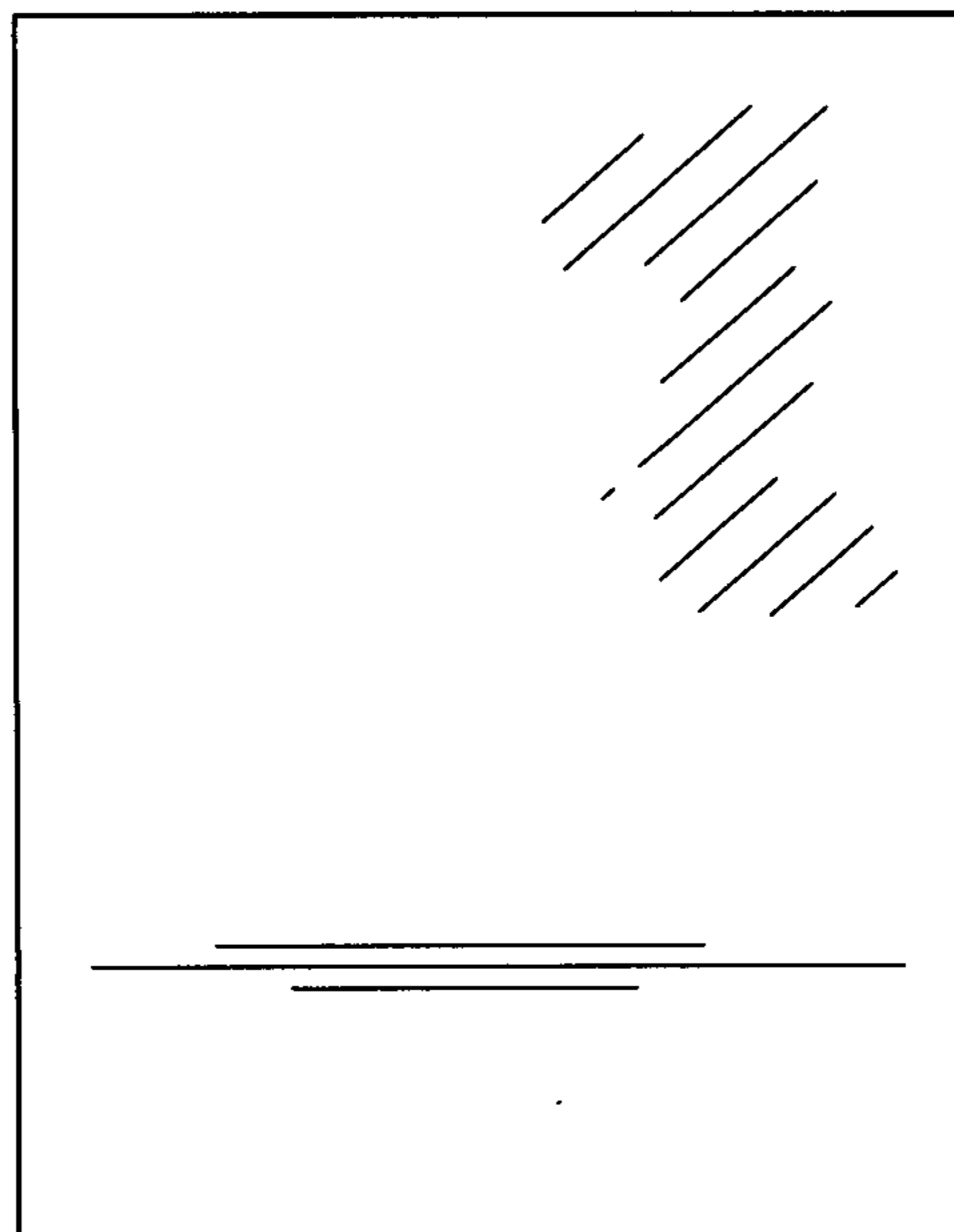


FIG. 6

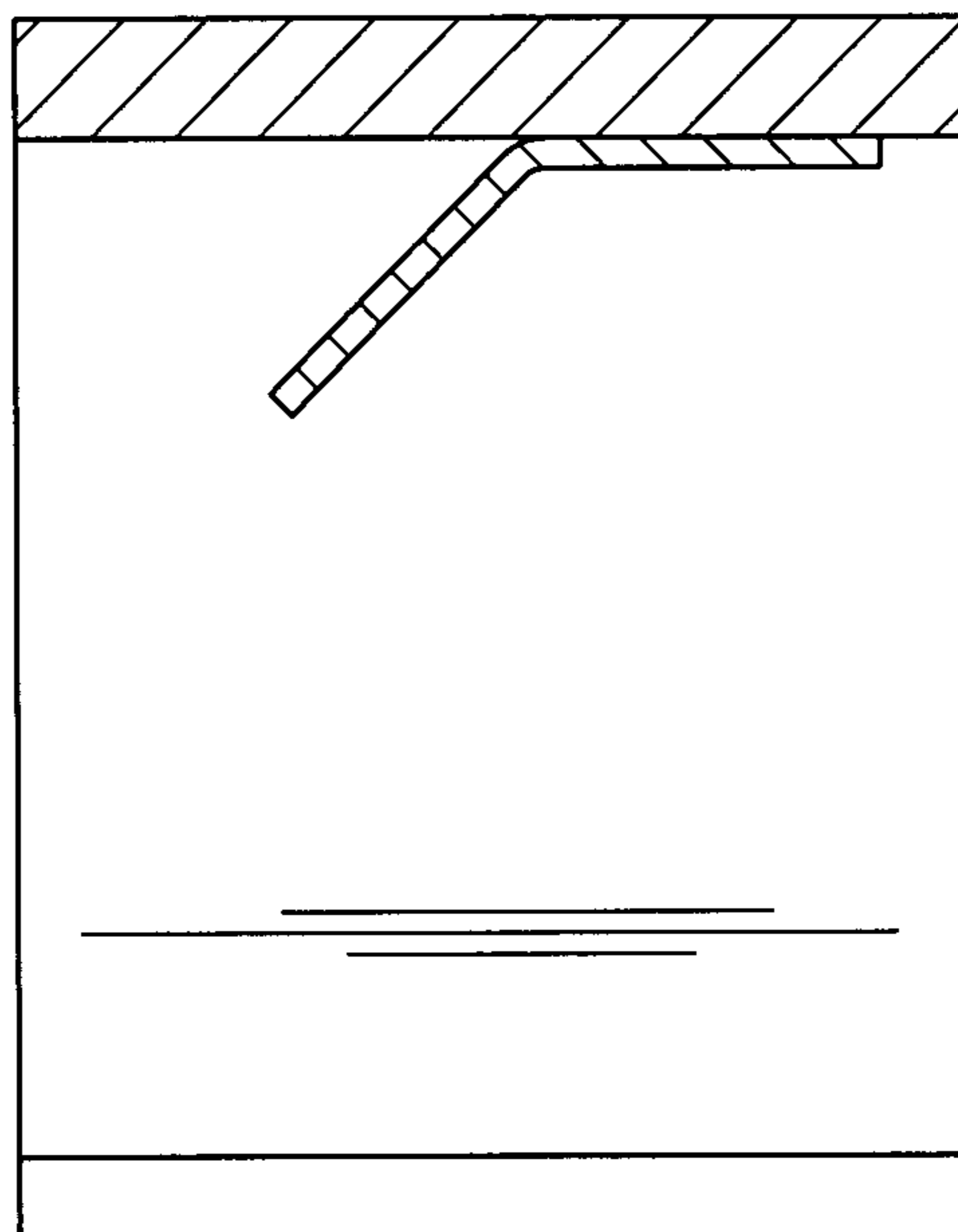


FIG. 7

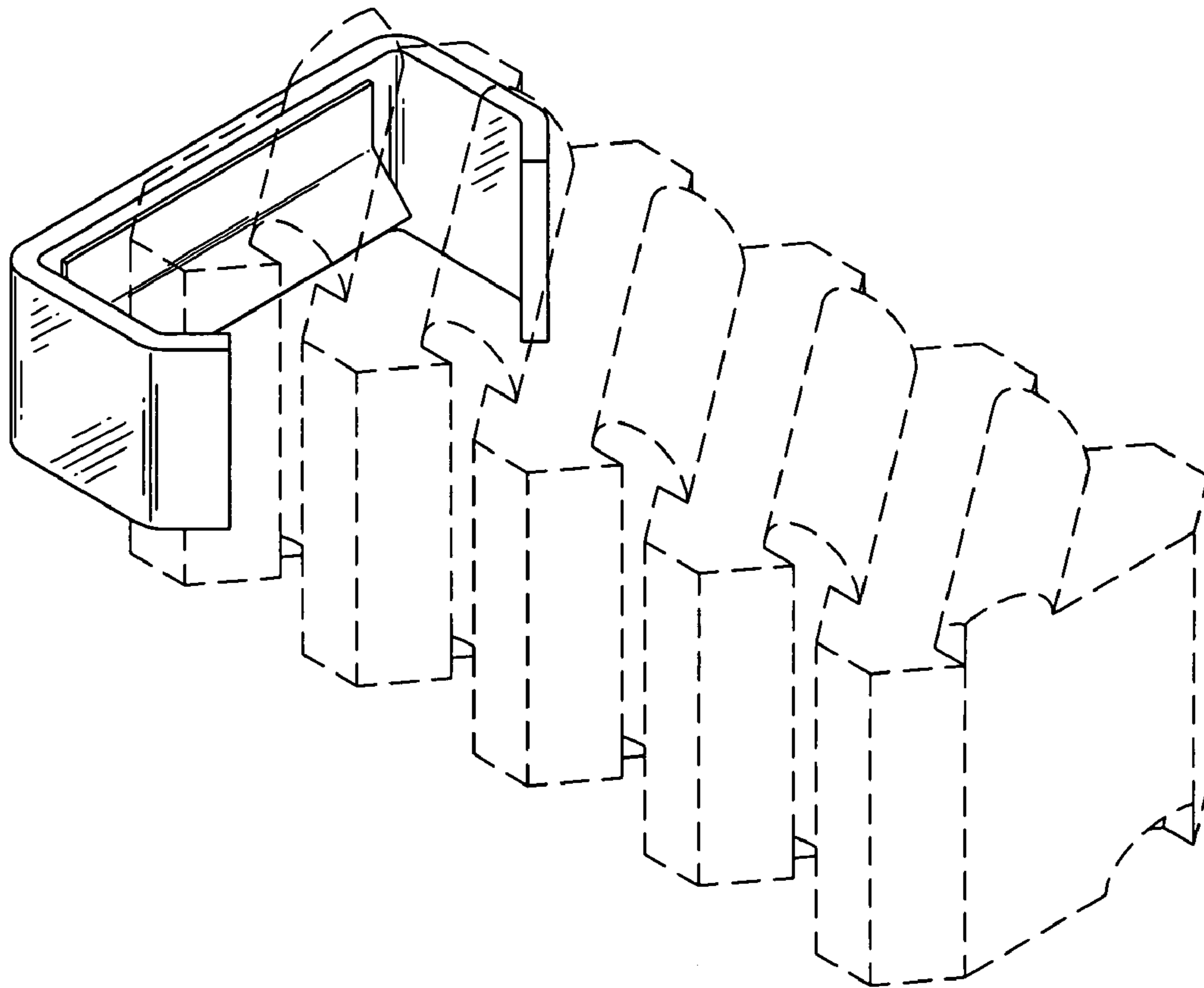


FIG. 8