



US00D559671S

(12) **United States Design Patent**
Baxter et al.

(10) **Patent No.:** **US D559,671 S**
(45) **Date of Patent:** **** Jan. 15, 2008**

(54) **MOUNTING CLIP**

(75) Inventors: **Charles S. Baxter**, Worthington, OH (US); **Theodore J. Mosler**, Raleigh, NC (US); **Charles R. Patzer**, Columbus, OH (US)

(73) Assignee: **Smiths Medical ASD, Inc.**, Rockland, MA (US)

(**) Term: **14 Years**

(21) Appl. No.: **29/280,834**

(22) Filed: **Jun. 8, 2007**

(51) **LOC (8) Cl.** **08-08**

(52) **U.S. Cl.** **D8/395; D8/396**

(58) **Field of Classification Search** D8/356,
D8/371, 394-396; 24/570; 248/74.2, 215,
248/227.1, 49, 300, 301, 316.7, 51, 489;
D24/128; 604/264

See application file for complete search history.

(56) **References Cited**

U.S. PATENT DOCUMENTS

- D276,134 S * 10/1984 Ericsson D8/396
- D331,189 S * 11/1992 Daigle et al. D8/396
- D368,422 S * 4/1996 Jensen D8/354

- 5,752,918 A 5/1998 Fowler et al.
- 5,829,723 A 11/1998 Brunner et al.
- 6,224,561 B1 5/2001 Swendson et al.
- D490,690 S * 6/2004 Brass et al. D8/354

* cited by examiner

Primary Examiner—Robert M. Spear

Assistant Examiner—John Windmuller

(74) *Attorney, Agent, or Firm*—Wood, Herron & Evans, LLP

(57) **CLAIM**

The ornamental design for a mounting clip, as shown and described.

DESCRIPTION

FIG. 1 is a perspective view of a mounting clip showing our new design;

FIG. 2 is a front view thereof;

FIG. 3 is a right side view thereof;

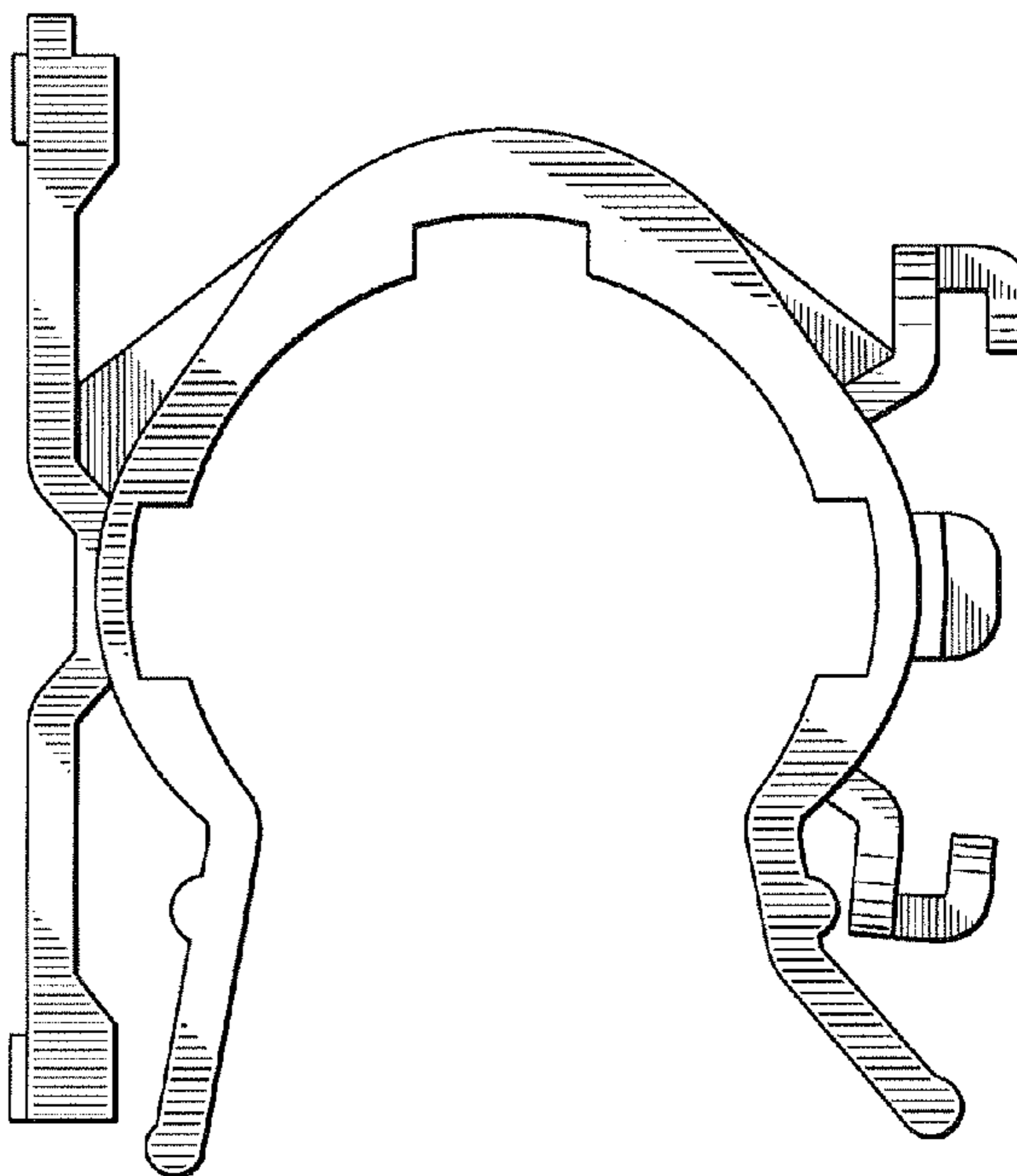
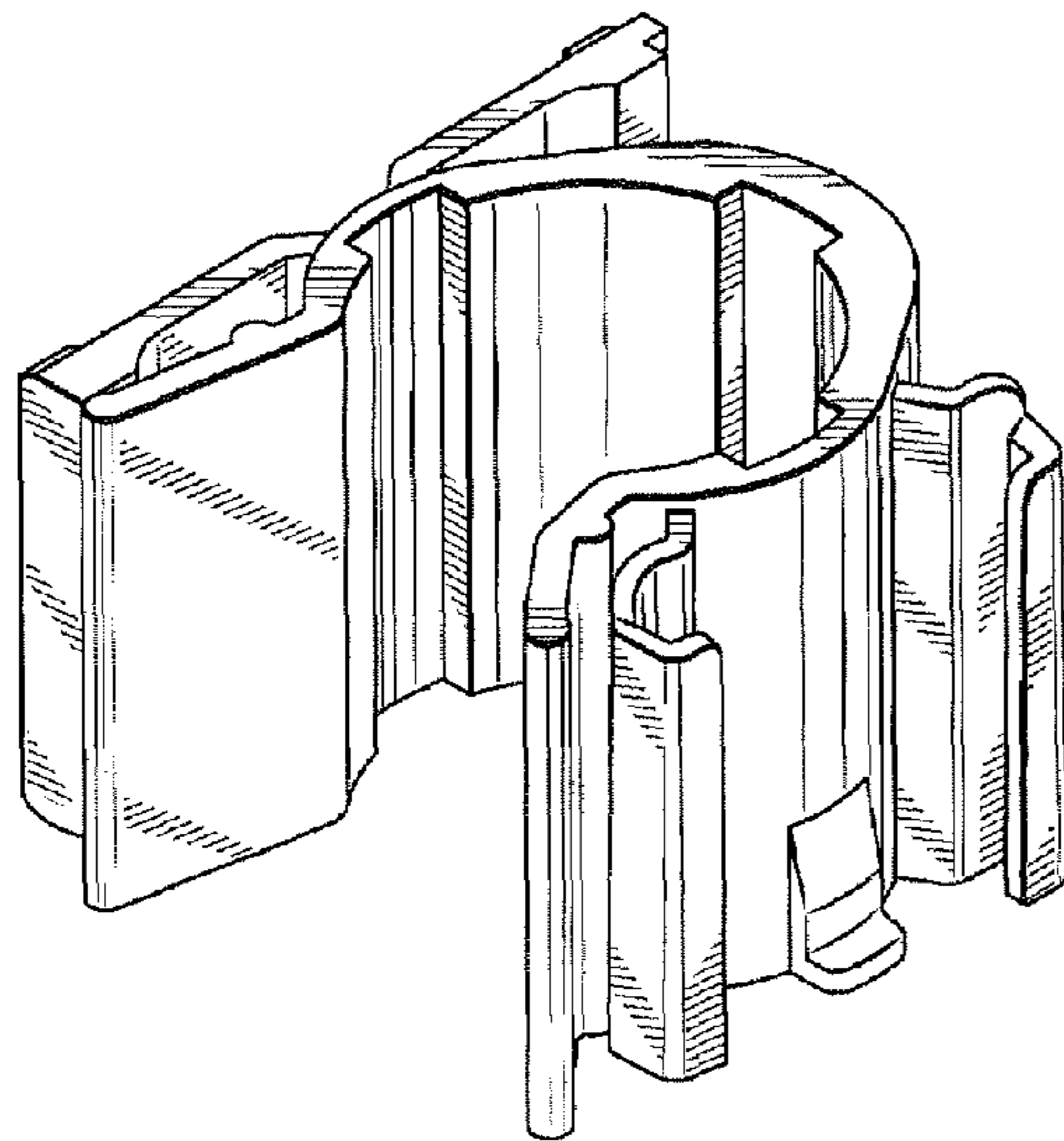
FIG. 4 is a rear view thereof;

FIG. 5 is a left side view thereof;

FIG. 6 is a top view thereof; and,

FIG. 7 is a bottom view thereof.

1 Claim, 3 Drawing Sheets



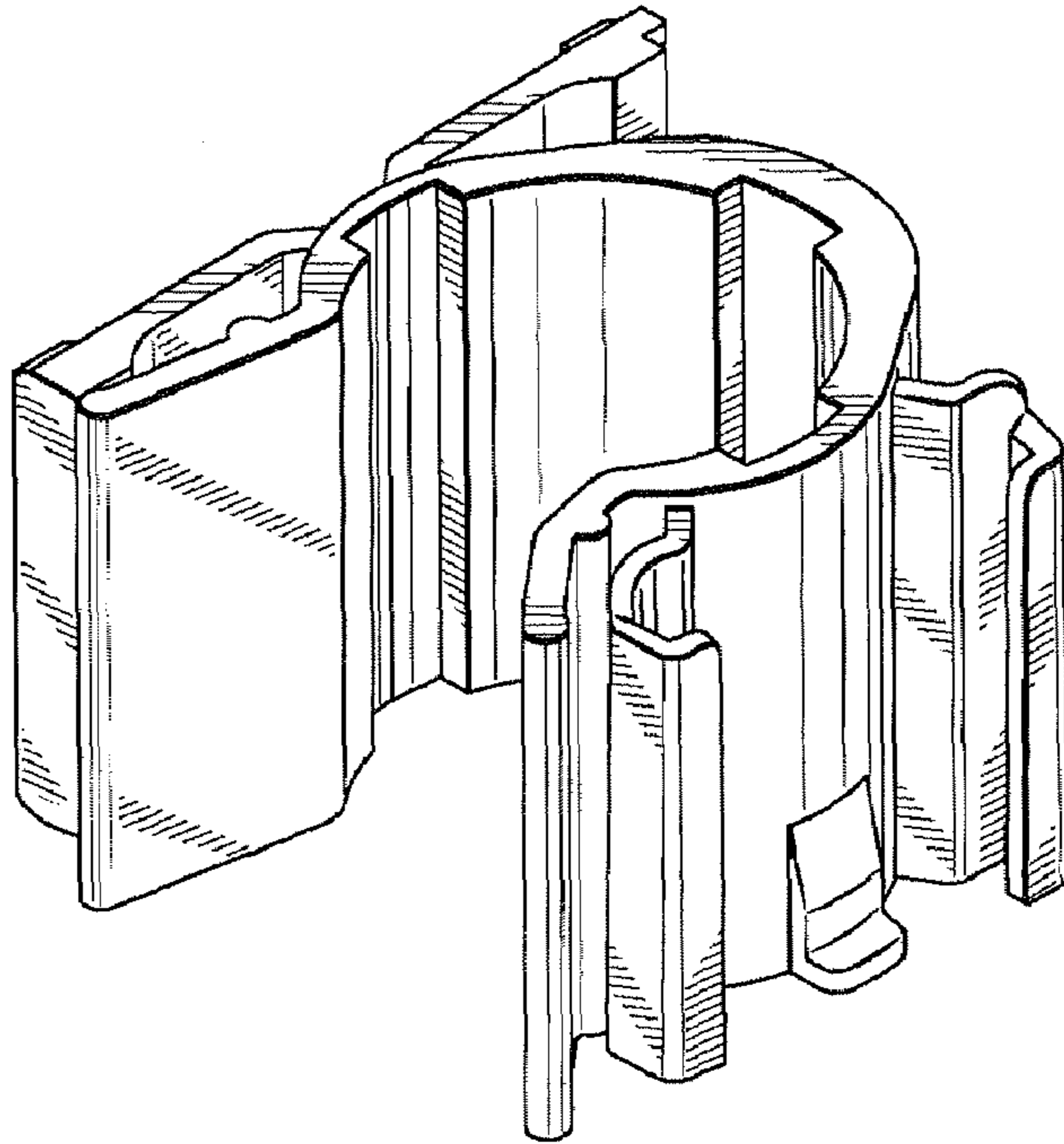


FIG. 1

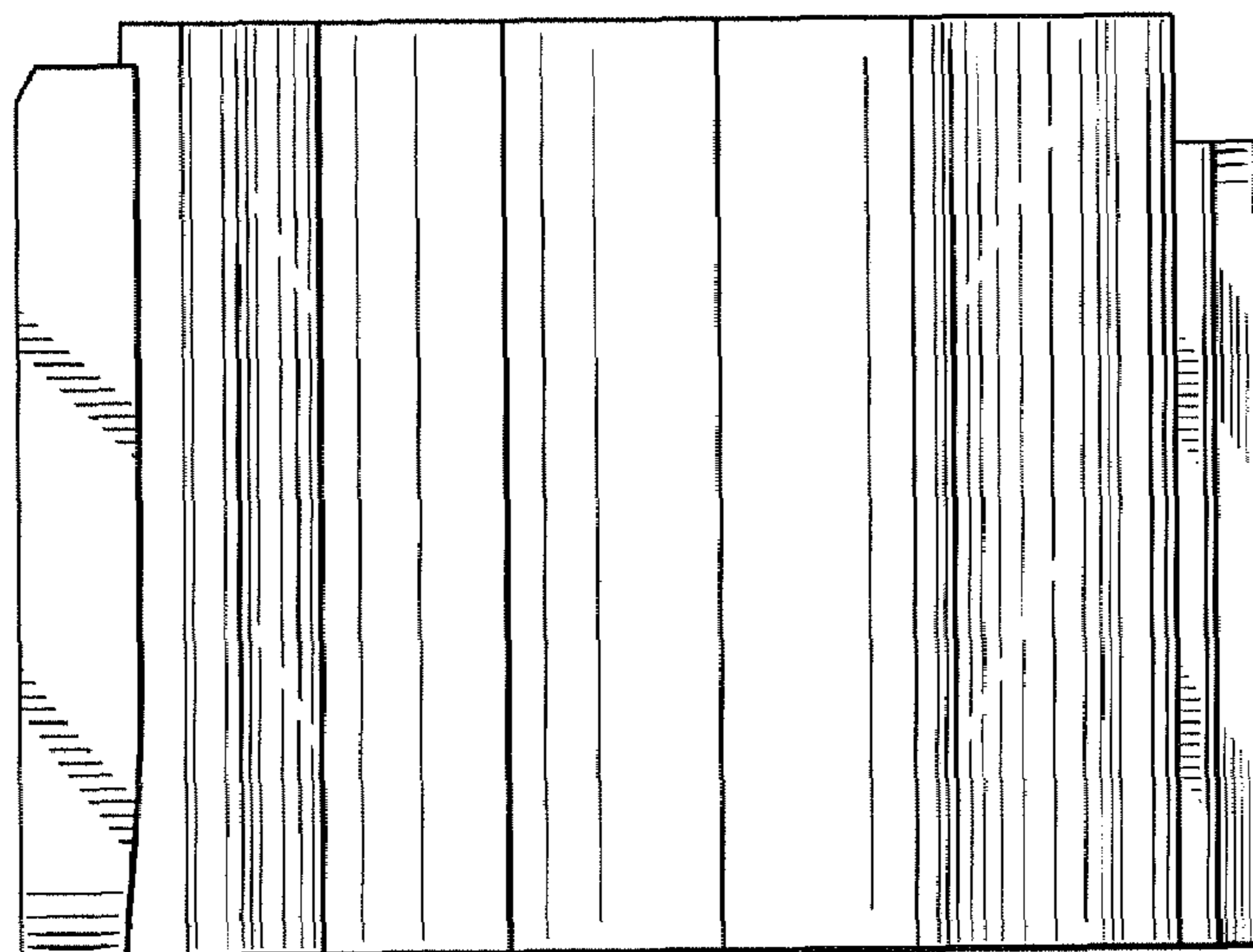


FIG. 2

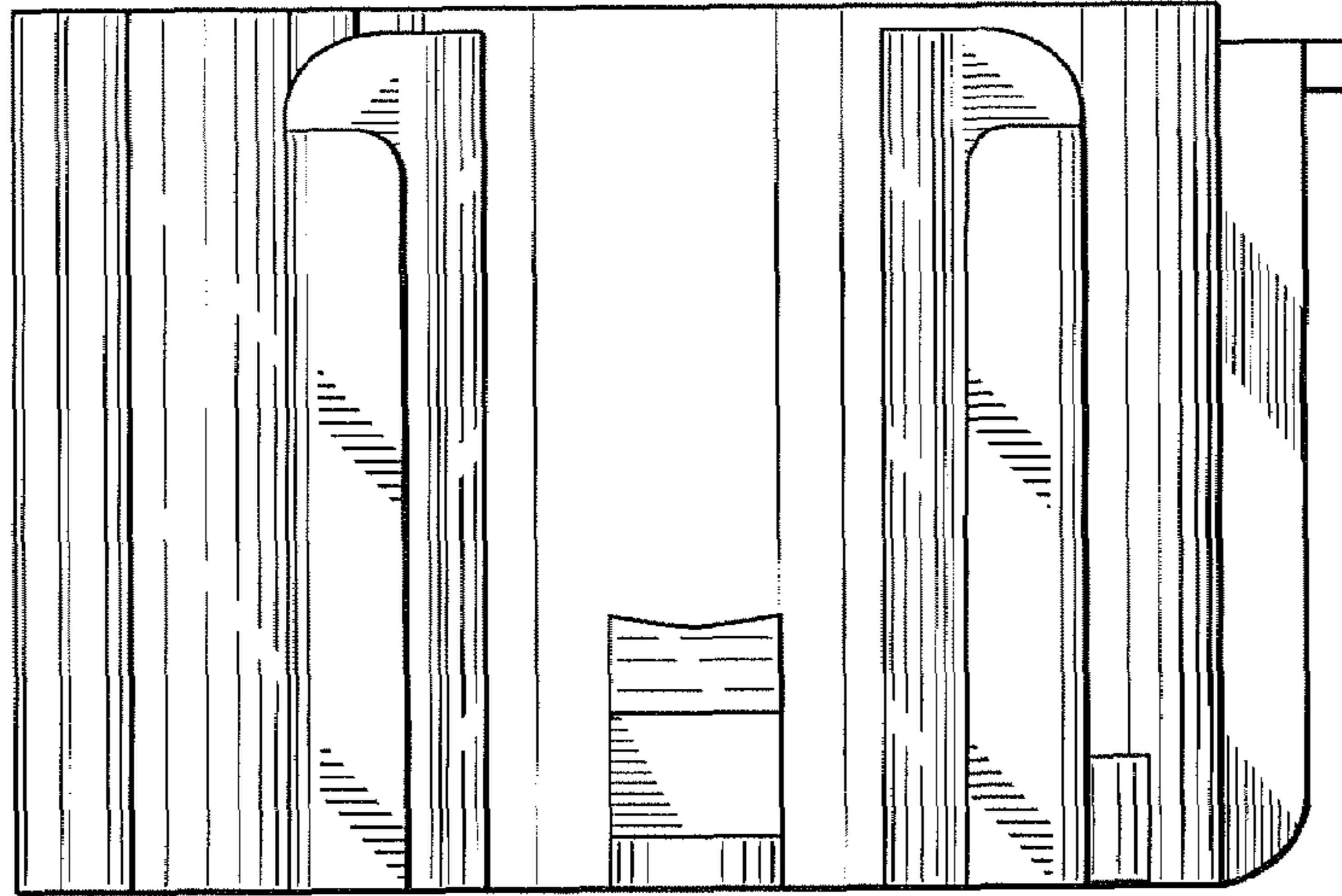


FIG. 3

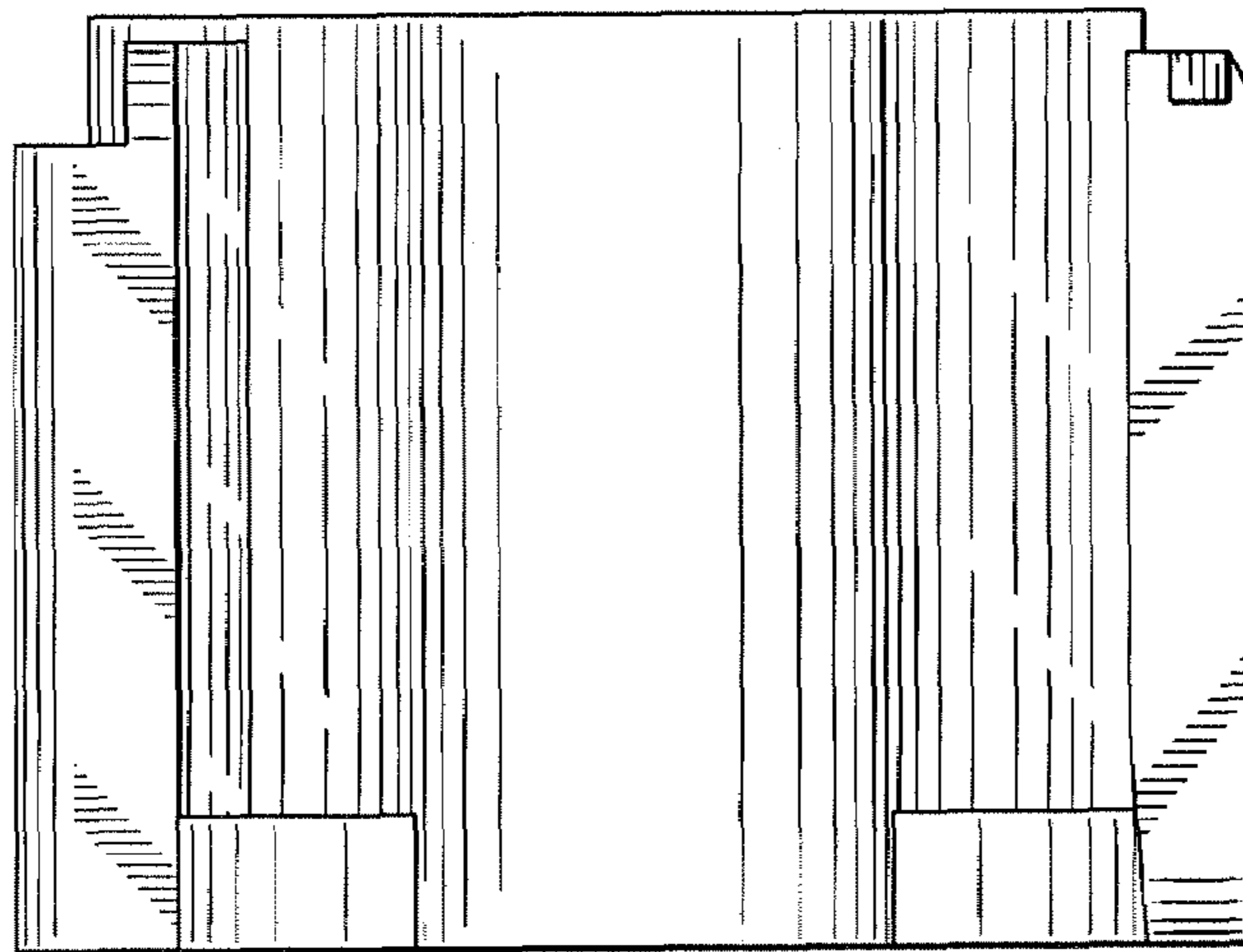


FIG. 4

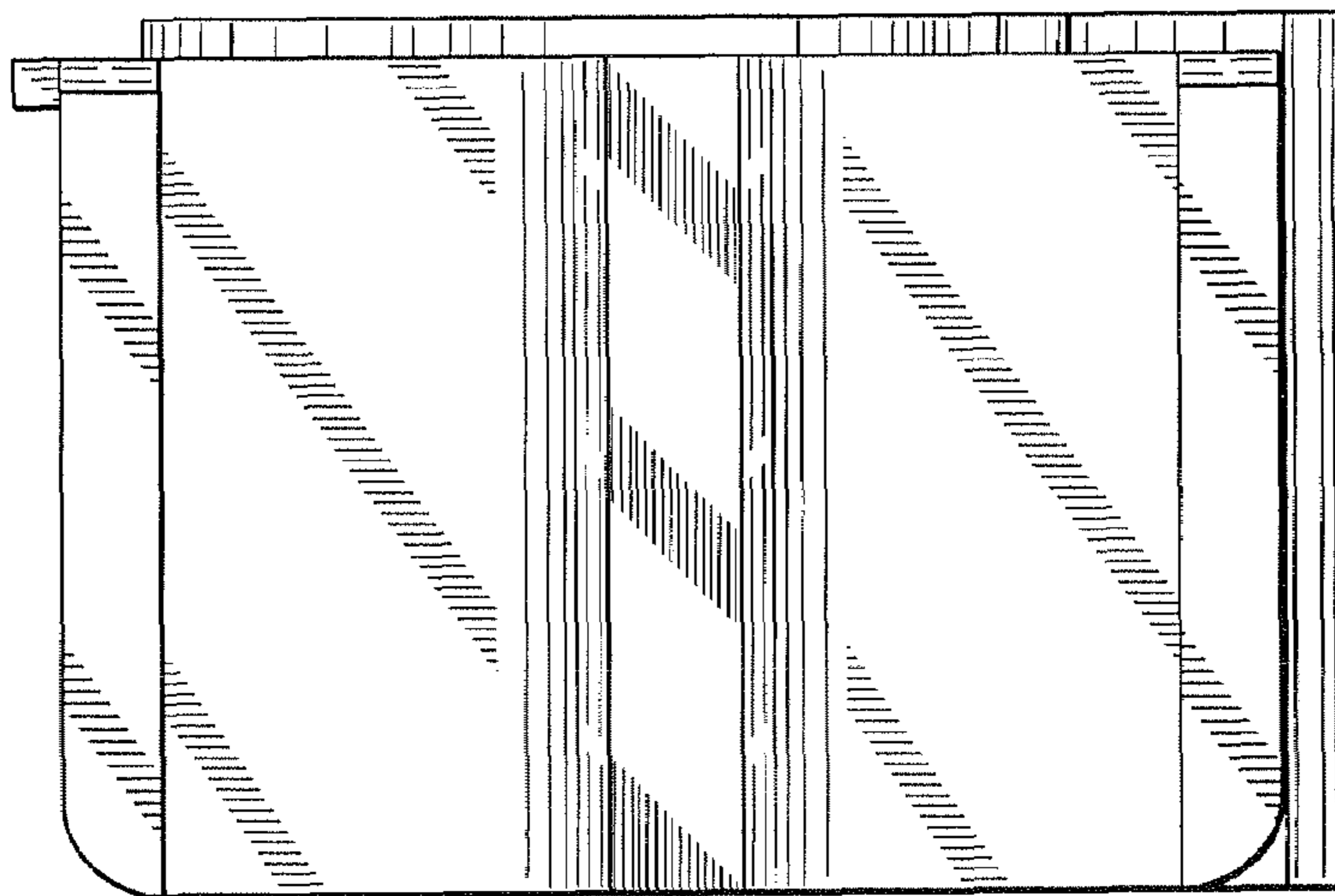


FIG. 5

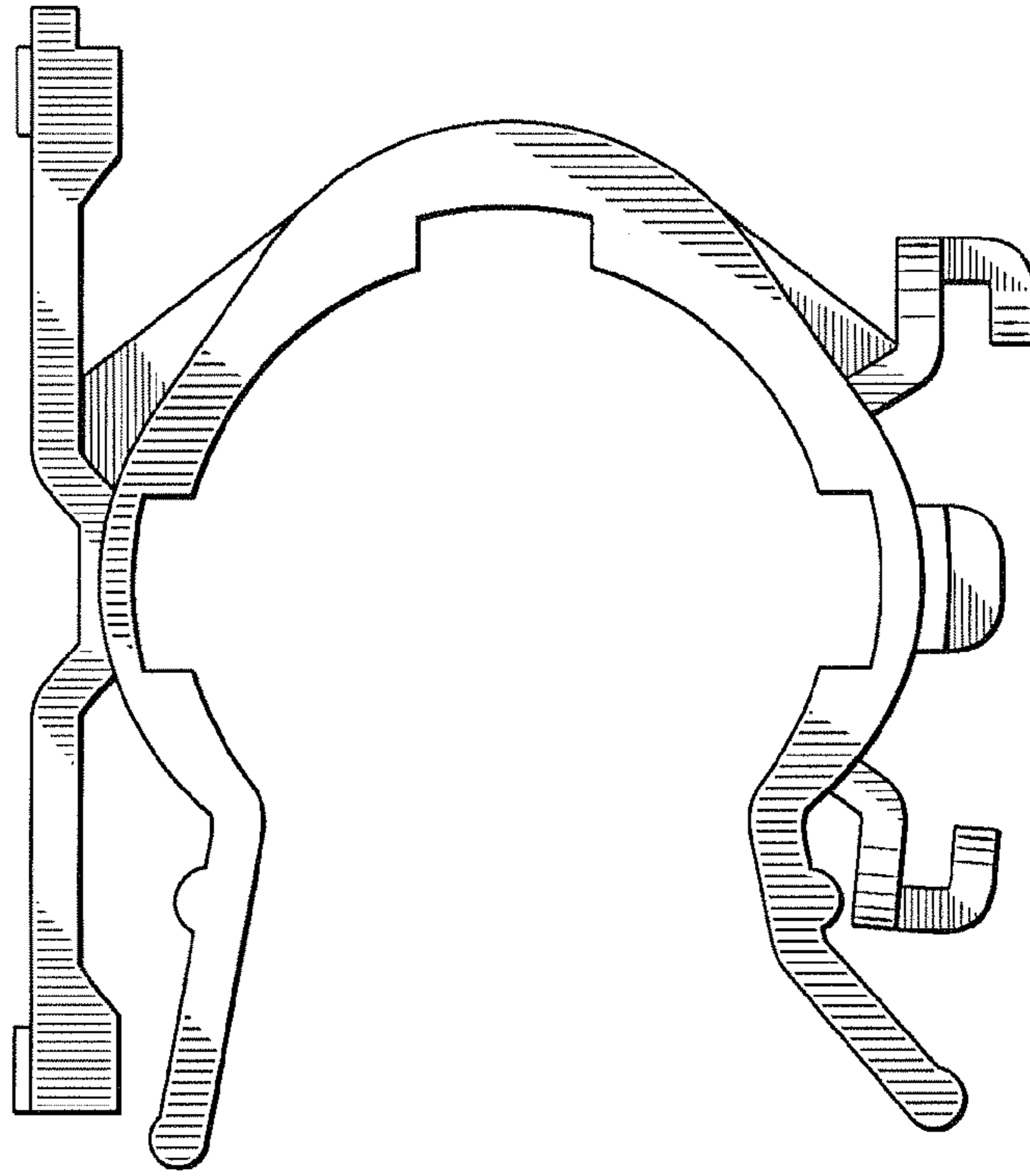


FIG. 6

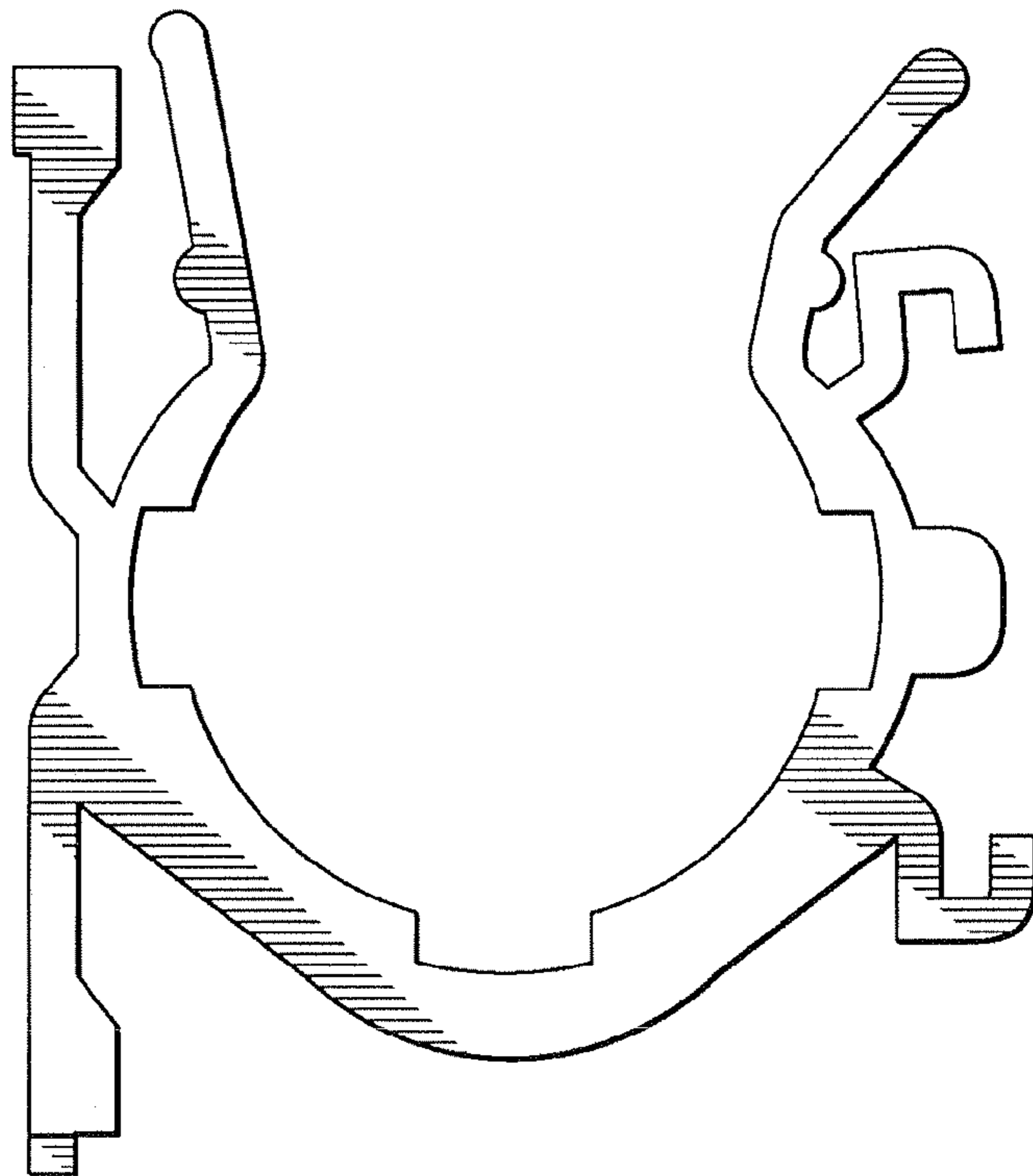


FIG. 7