



US00D559663S

(12) **United States Design Patent**
Gray et al.

(10) **Patent No.:** **US D559,663 S**
(45) **Date of Patent:** **** Jan. 15, 2008**

(54) **SCREED SUPPORT BRACKET**

Primary Examiner—Holly H. Baynham
(74) *Attorney, Agent, or Firm*—R. Michael West

(76) Inventors: **Randal L. Gray**, 20440 Corte Del Sol,
Sonora, CA (US) 95370; **Dallas D. Smith**, 16844 Outback Trail, Sonora,
CA (US) 95370

(57) **CLAIM**

(**) Term: **14 Years**

The ornamental design for a screed support bracket, as shown and described.

(21) Appl. No.: **29/273,192**

(22) Filed: **Feb. 27, 2007**

DESCRIPTION

(51) **LOC (8) Cl.** **08-05**
(52) **U.S. Cl.** **D8/380**
(58) **Field of Classification Search** D8/380;
248/87, 49; 52/365, 370
See application file for complete search history.

FIG. 1 is a right front perspective view of a screed support bracket, showing our new design;
FIG. 2 is a front elevational view, thereof, the rear elevational view being a mirror image, thereof;
FIG. 3 is an elevational view of one side, the other side elevational view being a mirror image, thereof;
FIG. 4 is a top plan view, thereof;
FIG. 5 is a bottom plan view, thereof; and,
FIG. 6 is a reduced scale perspective view, showing the article mounted over a post and supporting a screed board; the post, the screed boards, the form boards and the concrete shown in broken line are included solely for illustrative purposes, forming no part of the claimed design; the broken lined representation of the second screed support bracket is included solely for illustrative purposes.

(56) **References Cited**

U.S. PATENT DOCUMENTS

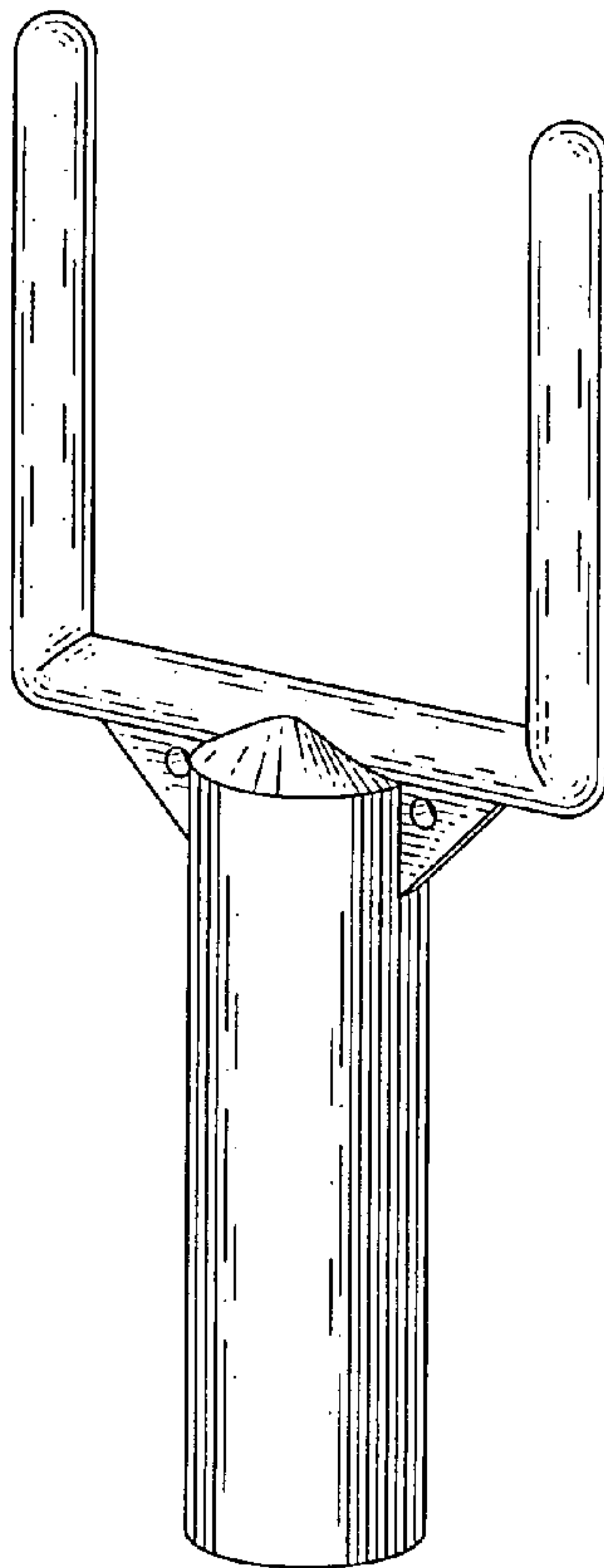
2,472,654 A * 6/1949 Engelke 248/49
4,158,937 A * 6/1979 Henry 52/365
D342,016 S * 12/1993 Ziegelmann D8/380
6,823,635 B2 * 11/2004 Schulze et al. 52/365

OTHER PUBLICATIONS

White Cap Industries, Inc., White Cap® Professional Construction Buyer's Guide, (1998): 464-465.

* cited by examiner

1 Claim, 2 Drawing Sheets



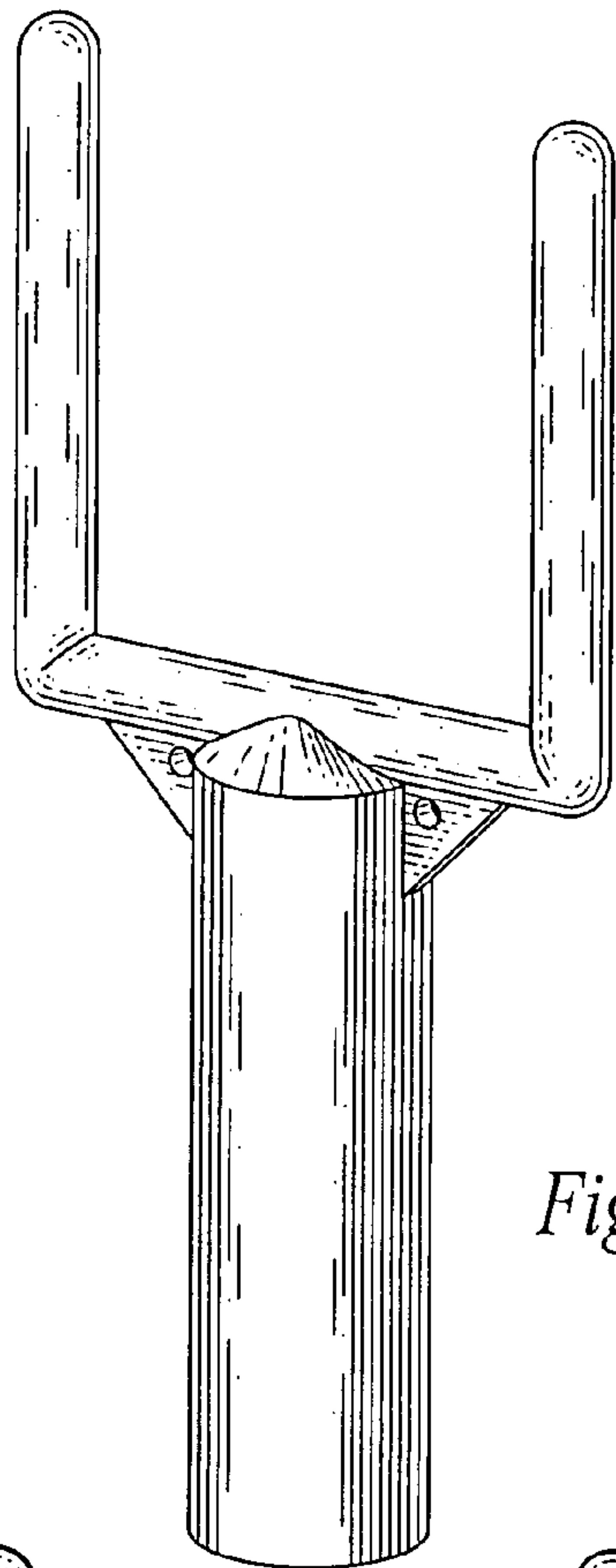


Fig. 1

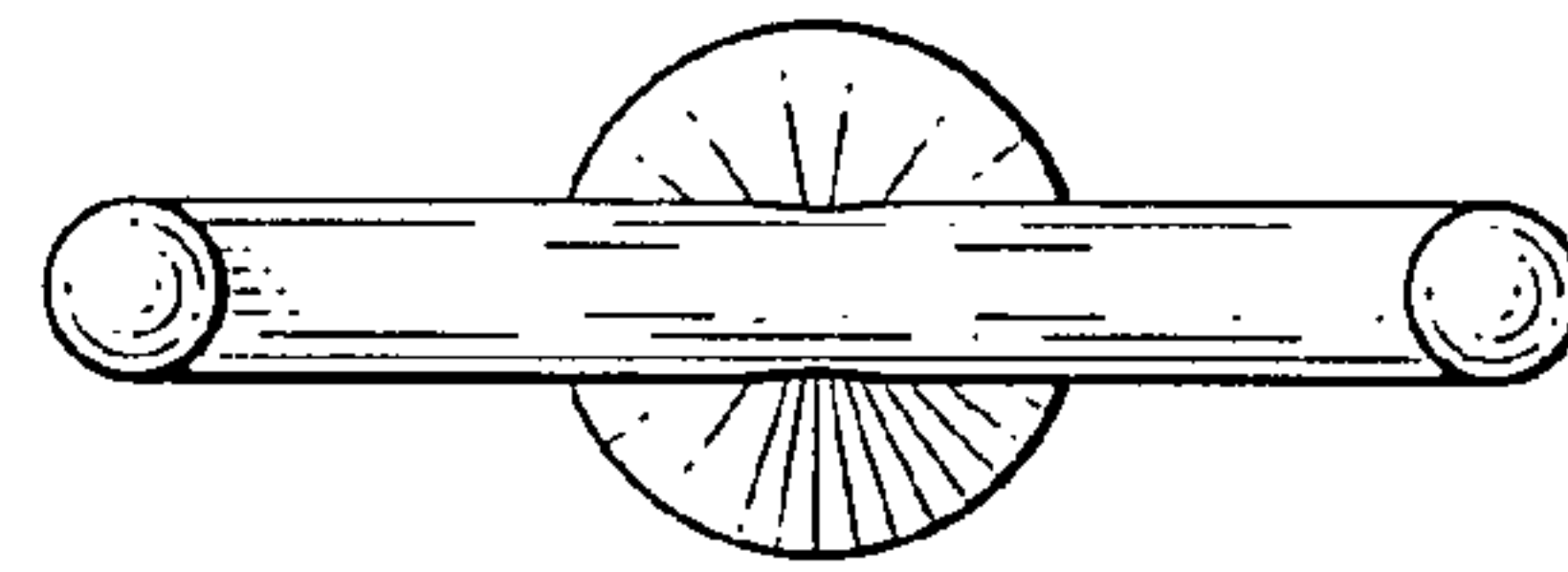


Fig. 4

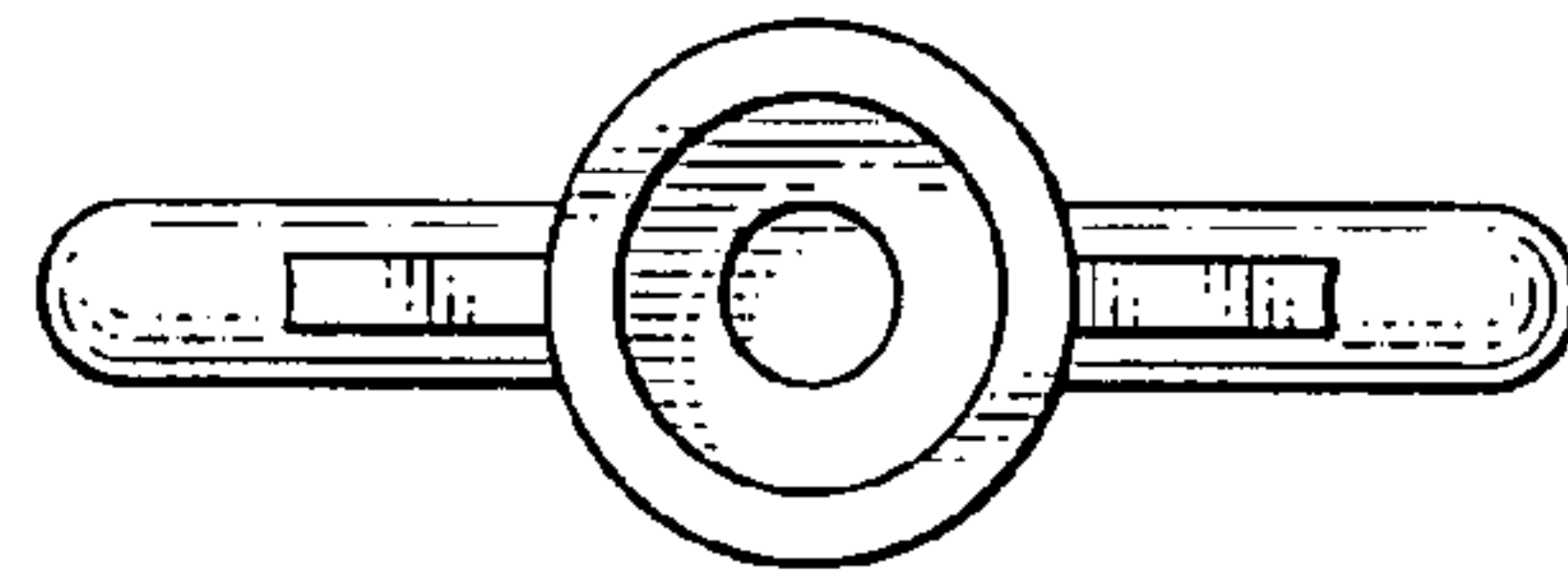


Fig. 5

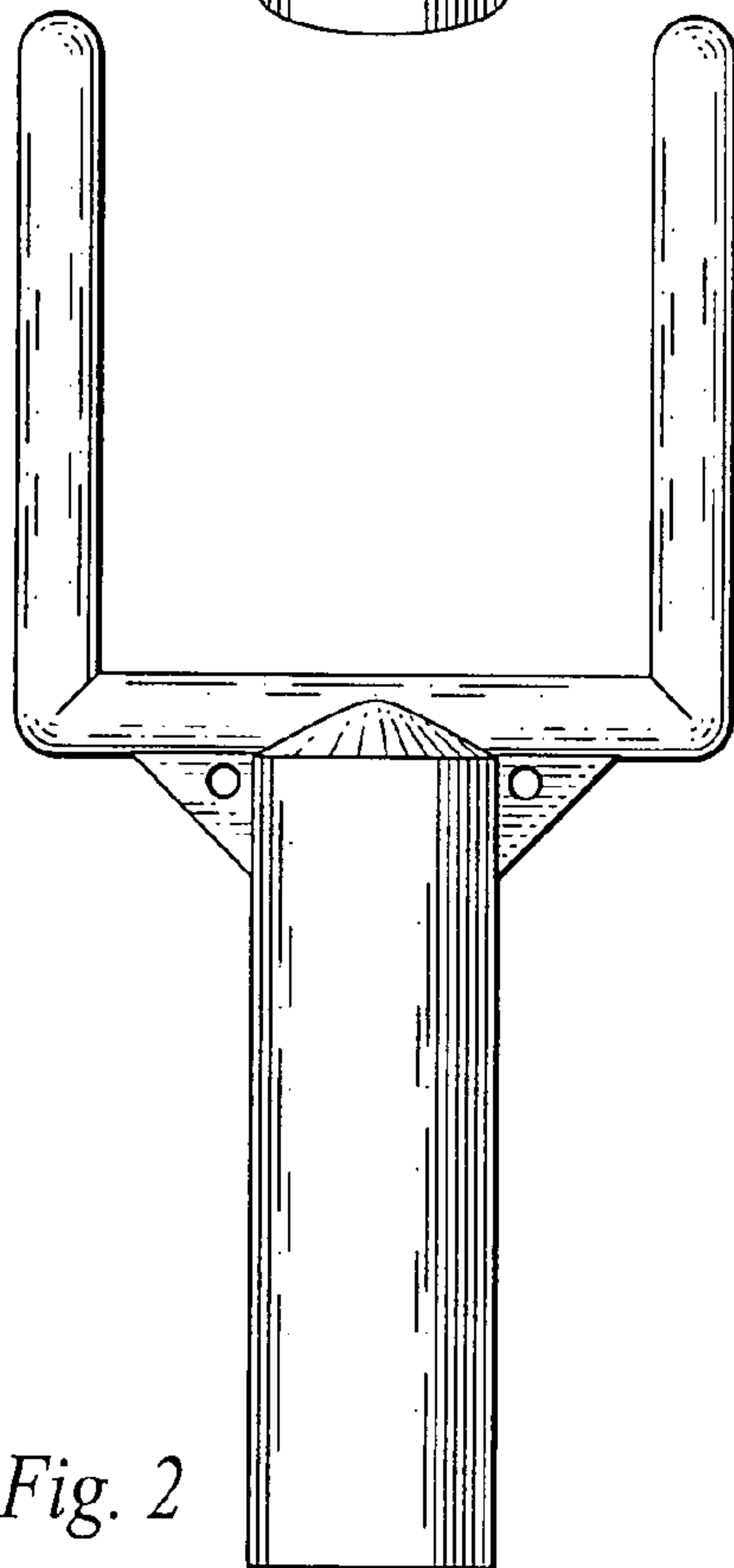


Fig. 2

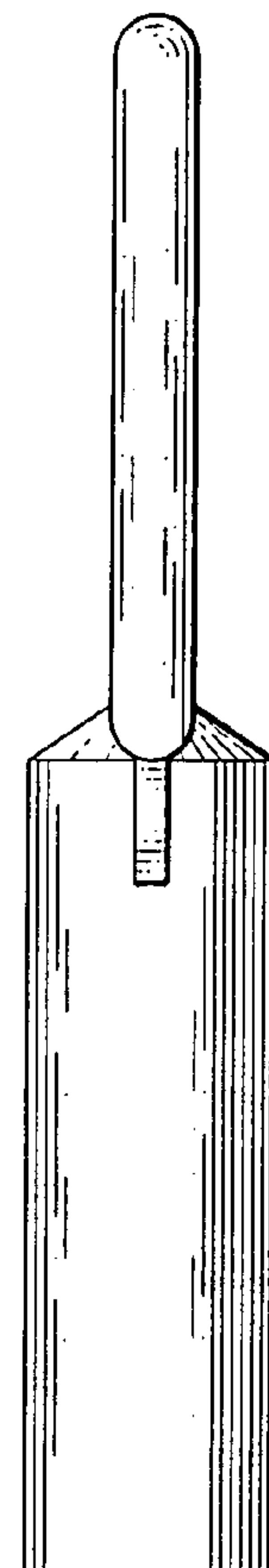


Fig. 3

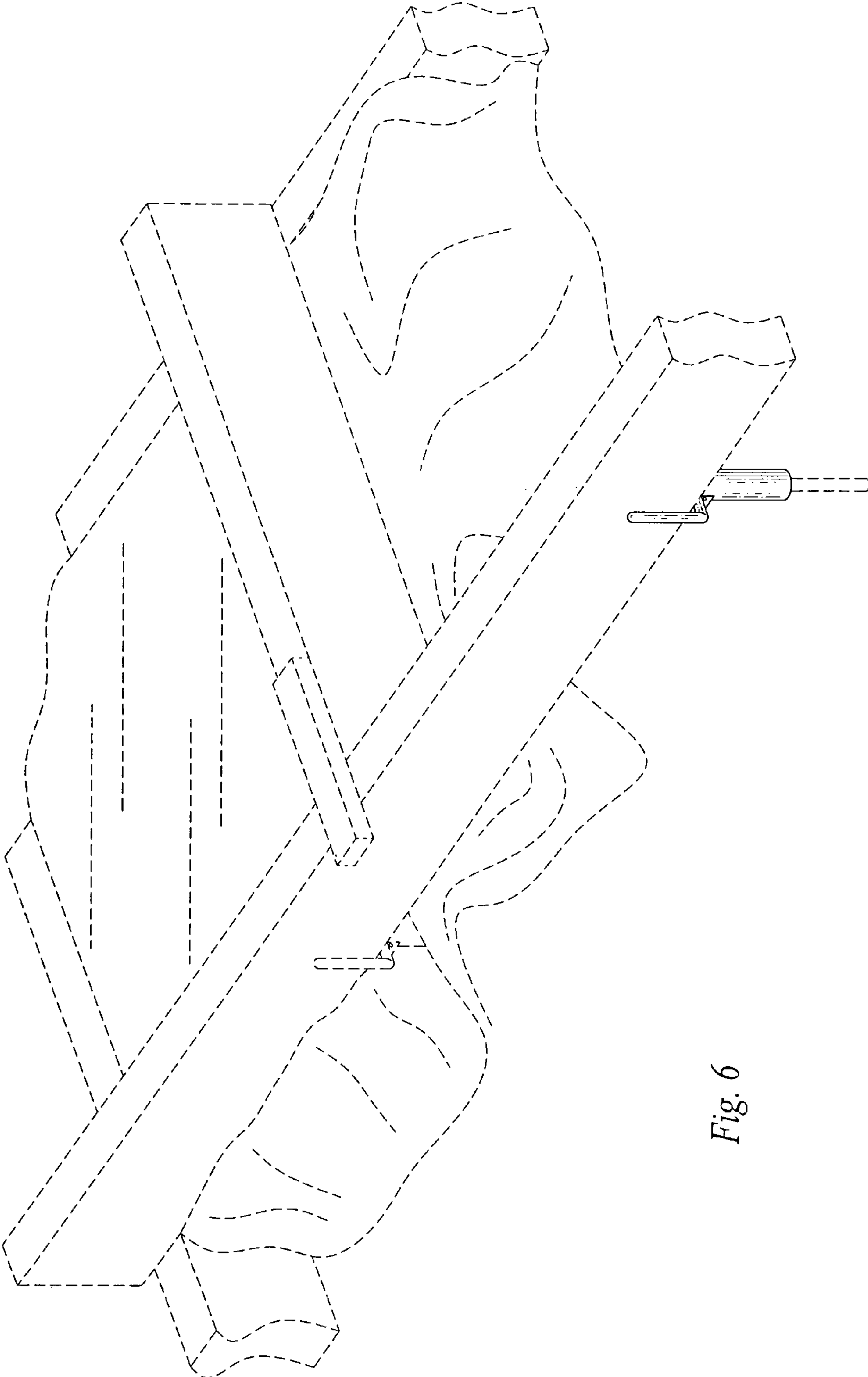


Fig. 6