



US00D559662S

(12) **United States Design Patent** (10) **Patent No.:** **US D559,662 S**
Sculler et al. (45) **Date of Patent:** **** Jan. 15, 2008**

(54) **EXTENSION BRACKET FOR DISPLAY MOUNT**

(75) Inventors: **Steven J. Sculler**, Morganville, NJ (US); **Michael P. Zambelli**, Basking Ridge, NJ (US); **In-Young Jang**, Ridgefield, NJ (US); **Jimmy An**, South Plainfield, NJ (US)

(73) Assignee: **Bell'O International Corp.**, Morganville, NJ (US)

(**) Term: **14 Years**

(21) Appl. No.: **29/270,913**

(22) Filed: **Jan. 5, 2007**

(51) **LOC (8) Cl.** **08-05**

(52) **U.S. Cl.** **D8/380**

(58) **Field of Classification Search** D8/381, D8/380, 373, 363, 354, 349; D23/304; D14/452, D14/451, 447, 251, 238, 229, 224, 209; D12/415; 4/574.1, 571.1; 248/309.1, 291.1, 284.1, 248/240, 124.1, 917, 918, 919, 920

See application file for complete search history.

(56) **References Cited**

U.S. PATENT DOCUMENTS

5,321,579	A	6/1994	Brown et al.	
D363,492	S *	10/1995	Brussing	D14/251
D391,148	S *	2/1998	Rosen	D8/380
5,743,503	A	4/1998	Voeller et al.	
5,842,672	A	12/1998	Sweere et al.	
5,924,665	A	7/1999	Sweere et al.	
5,992,809	A	11/1999	Sweere et al.	
6,019,332	A	2/2000	Sweere et al.	
D435,852	S *	1/2001	Oddsens, Jr.	D14/452
6,367,756	B1	4/2002	Wang et al.	
6,419,196	B1	7/2002	Sweere et al.	
6,575,419	B1	6/2003	Masuda et al.	
6,585,203	B1	7/2003	Euker	
6,783,105	B2	8/2004	Oddsens, Jr.	

D507,477	S *	7/2005	Pfister	D8/363
6,915,996	B2	7/2005	Lin	
7,000,878	B2	2/2006	Lin	
D517,085	S	3/2006	Deuschle	
D520,017	S	5/2006	van Kuijk et al.	
7,100,880	B2 *	9/2006	Oddsens, Jr.	248/917
2003/0132356	A1	7/2003	Copeland	
2003/0154673	A1	8/2003	MacGregor et al.	
2004/0159757	A1	8/2004	Pfister	
2004/0262474	A1	12/2004	Boks et al.	
2005/0092873	A1	5/2005	Lin	
2005/0127261	A1	6/2005	Lin	

* cited by examiner

Primary Examiner—Gary D. Watson

Assistant Examiner—Susan Bennett Hattan

(74) *Attorney, Agent, or Firm*—Lerner, David, Littenberg, Krumholz & Mentlik, LLP

(57) **CLAIM**

The ornamental design for extension bracket for display mount, as shown and described.

DESCRIPTION

FIG. 1 is a perspective view of the subject extension bracket for display mount;

FIG. 2 is a front view thereof;

FIG. 3 is a rear view thereof;

FIG. 4 is a left side view thereof;

FIG. 5 is a right side view thereof;

FIG. 6 is a top plan view thereof;

FIG. 7 is a bottom plan view thereof; and,

FIG. 8 is a perspective view of the subject extension bracket for display mount shown assembled in the environment in which they are intended to be used.

The broken lines in the drawings depict environmental subject matter only and form no part of the claimed design.

1 Claim, 7 Drawing Sheets

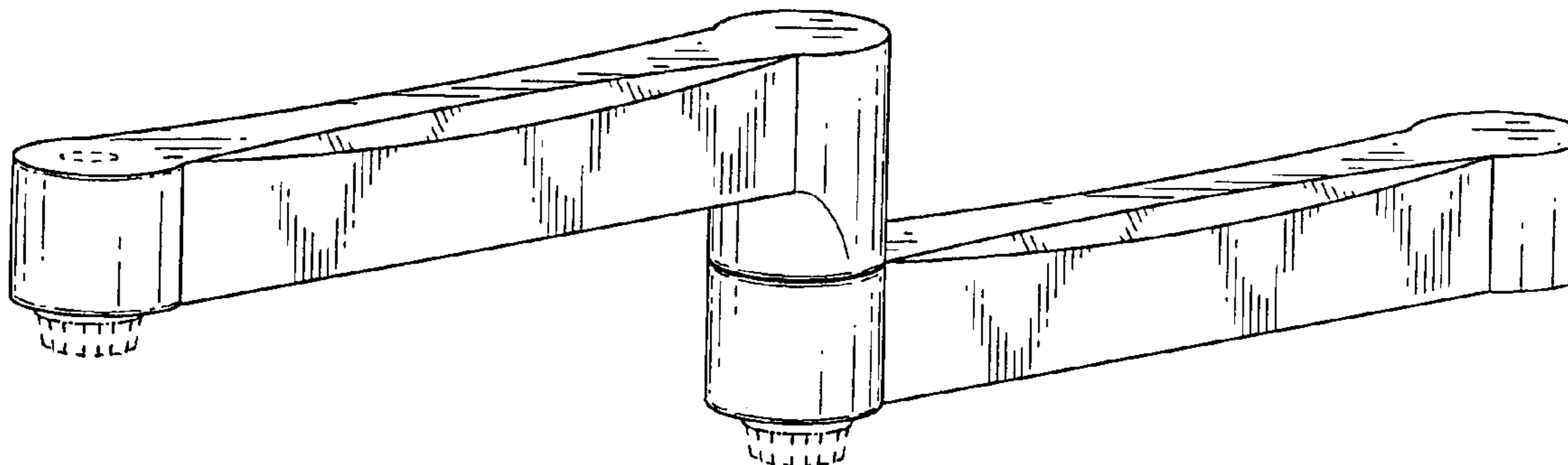


FIG. 1

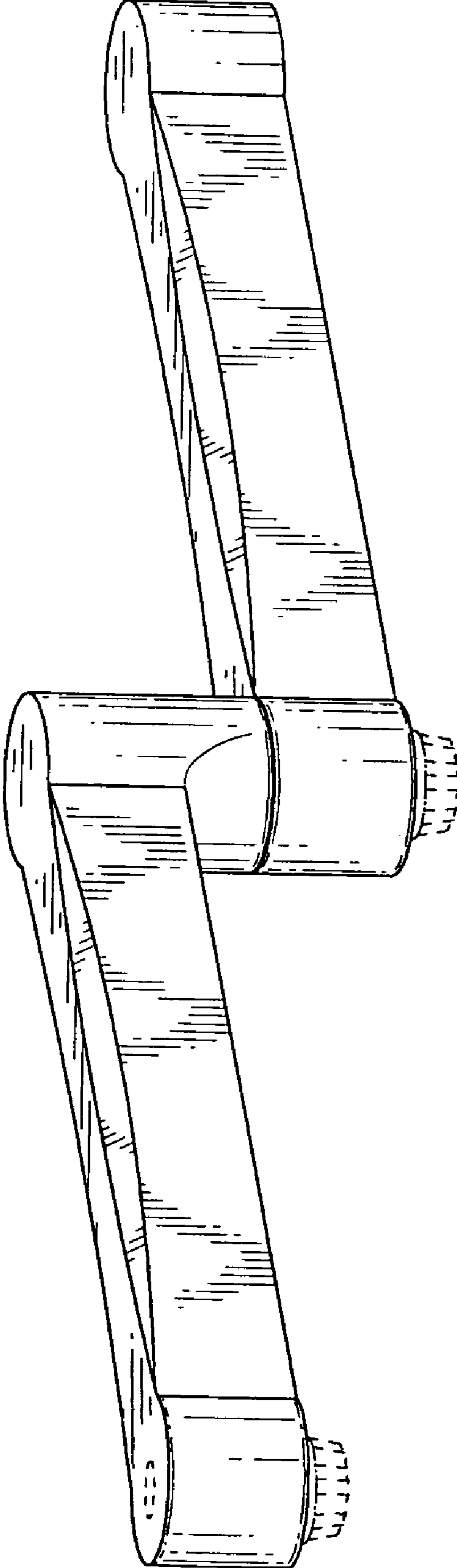


FIG. 2

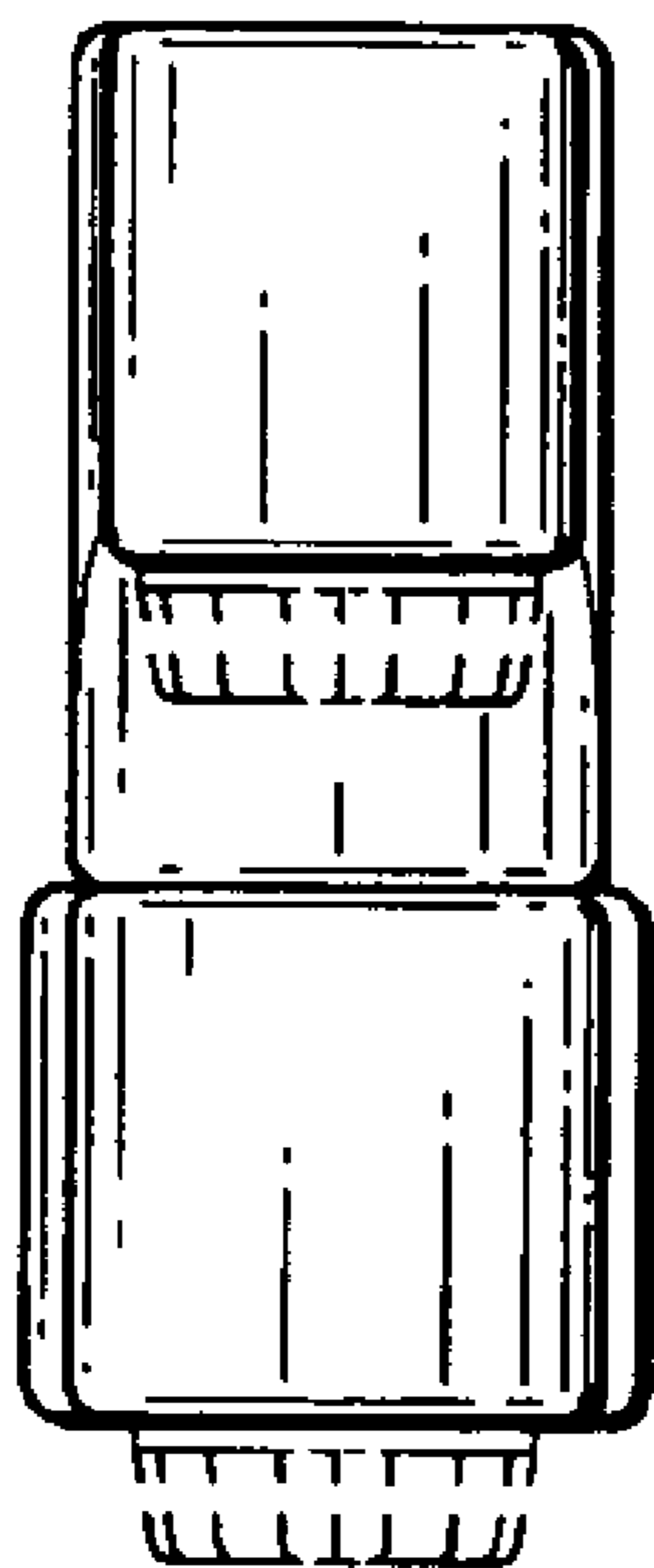


FIG. 3

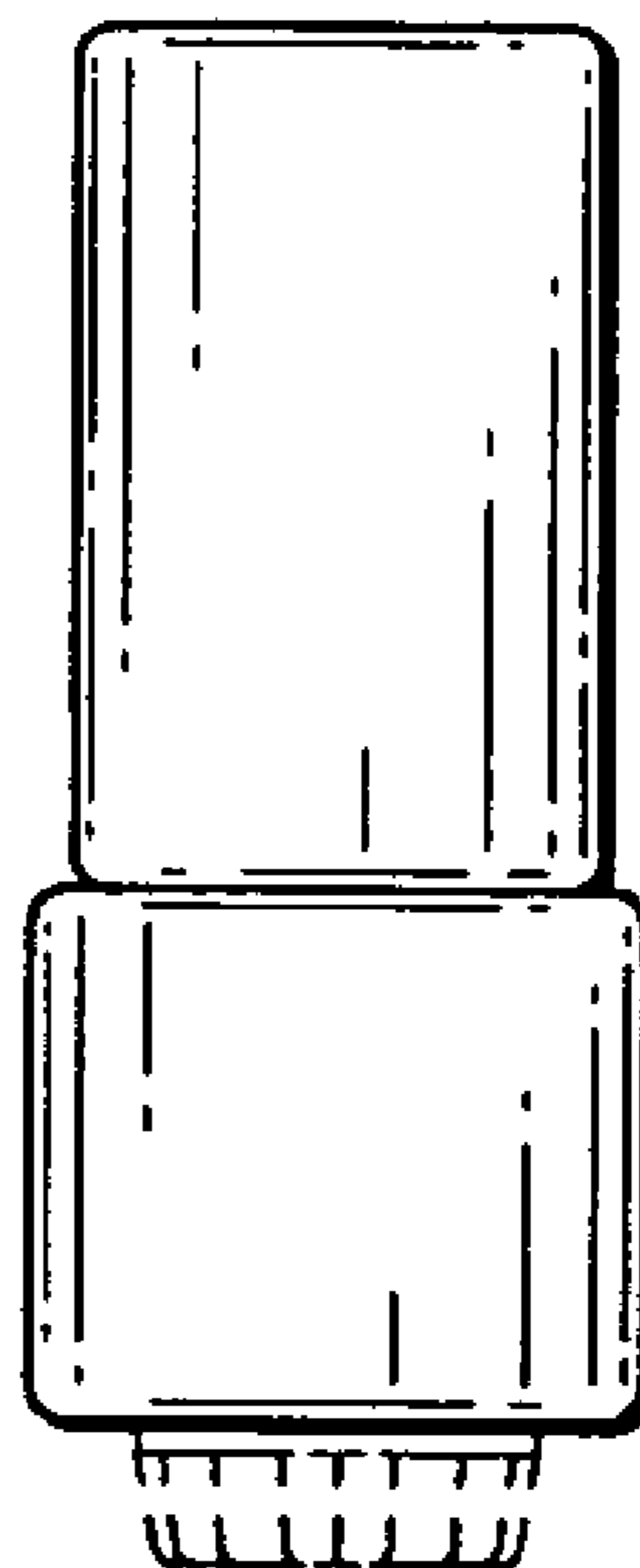


FIG. 4

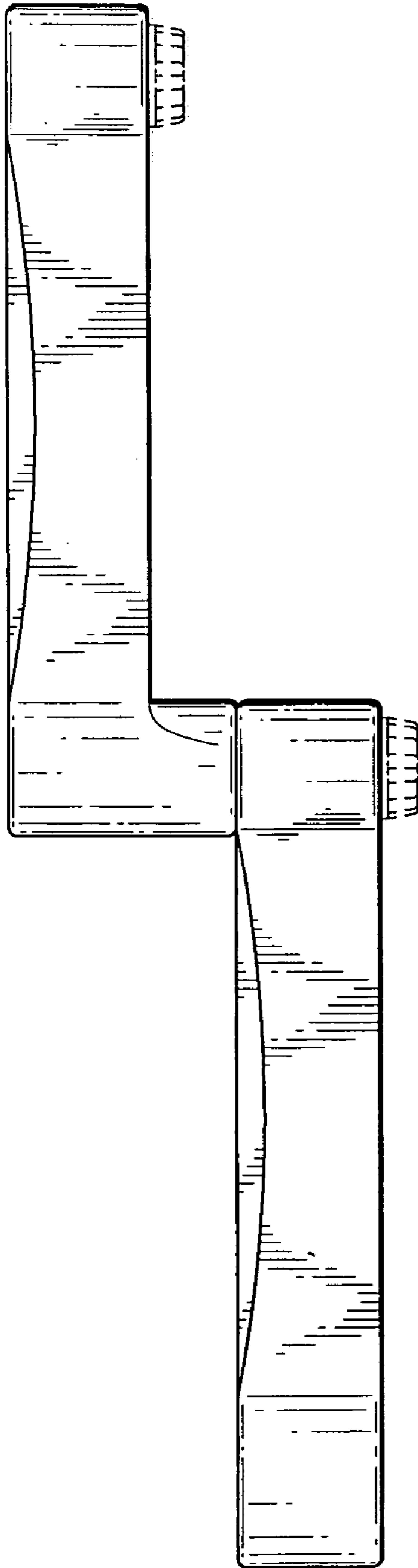


FIG. 5

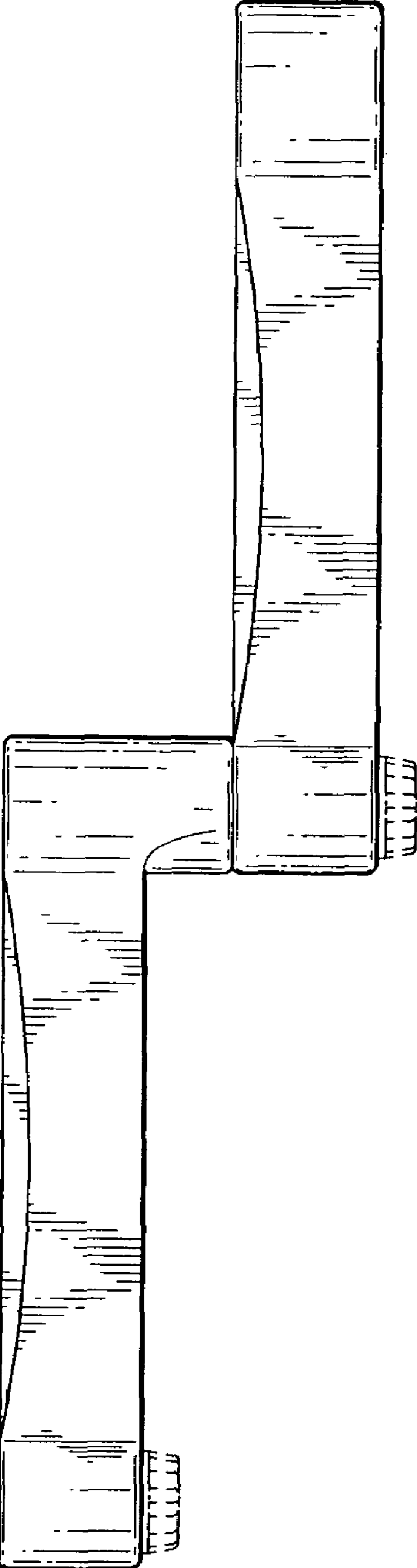


FIG. 6

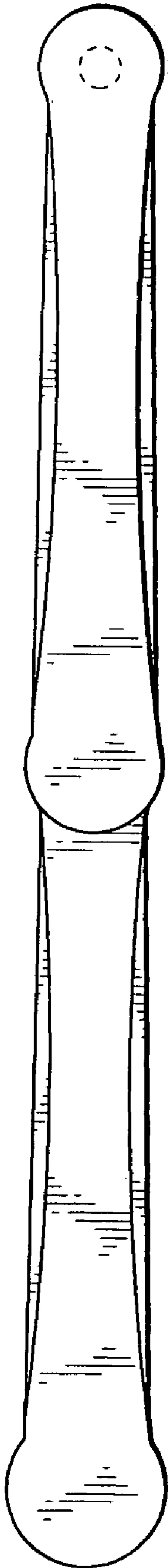


FIG. 7

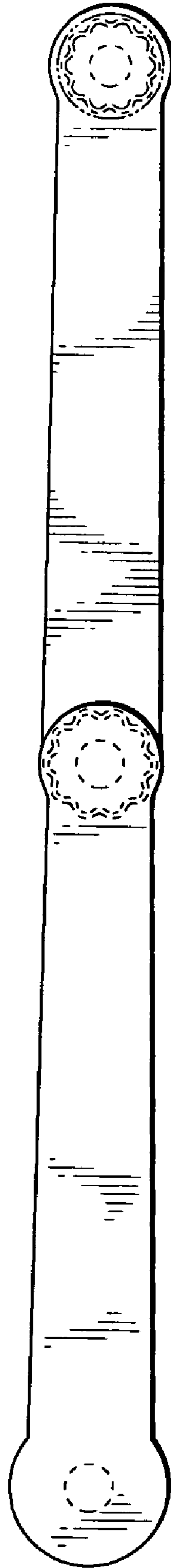


FIG. 8

