



US00D559661S

(12) **United States Design Patent**
Wohlford et al.

(10) **Patent No.:** **US D559,661 S**
(45) **Date of Patent:** **** Jan. 15, 2008**

(54) **WALL MOUNT FOR ARTICLE**
(75) Inventors: **Jim Wohlford**, Edina, MN (US);
Dominic Grey, Blaine, MN (US)
(73) Assignee: **CSAV, Inc.**, Savage, MN (US)
(**) Term: **14 Years**
(21) Appl. No.: **29/265,251**
(22) Filed: **Aug. 28, 2006**

6,874,743 B2 4/2005 Watanabe et al.
6,923,413 B2 8/2005 Dozier
7,028,961 B1 4/2006 Dittmer et al.

OTHER PUBLICATIONS

CHIEF, *Centris™ Mounting System Ordering & Cross-Reference Information, Chief Full-Line Product Guide*, 2004, pp. 51-55.

* cited by examiner

Primary Examiner—Holly H. Baynham

(74) *Attorney, Agent, or Firm*—Patterson, Thuente, Skaar & Christensen, PA

(51) **LOC (8) Cl.** **08-05**
(52) **U.S. Cl.** **D8/373**
(58) **Field of Classification Search** D8/363,
D8/354, 373; D14/452, 253; 248/309.1,
248/274.1, 284.1

See application file for complete search history.

(57) **CLAIM**

We claim the ornamental design for wall mount for article, as shown and described.

DESCRIPTION

FIG. 1 is a rear elevation view of a wall mount for article according to an embodiment of the invention;

FIG. 2 is a side elevation view of the wall mount for article depicted in FIG. 1;

FIG. 3 is a front elevation view of the wall mount for article depicted in FIG. 1;

FIG. 4 is a top plan view of the wall mount for article depicted in FIG. 1; and,

FIG. 5 is a bottom plan view of the wall mount for article depicted in FIG. 1.

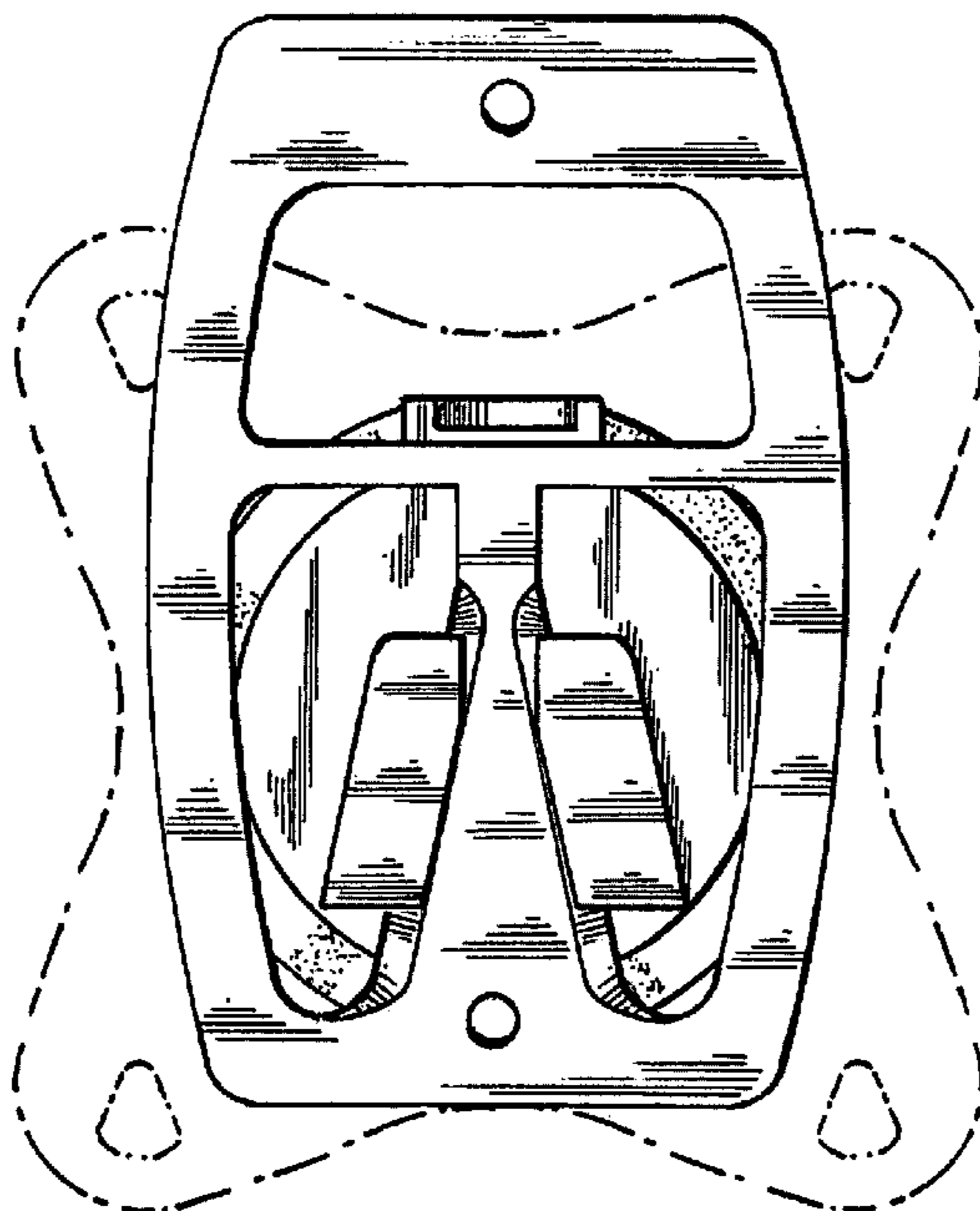
The opposing side elevation view of the wall mount for article is a mirror image of the view of FIG. 2. The broken-line disclosure in the views is for illustrative purposes only and forms no part of the claimed design.

(56) **References Cited**

U.S. PATENT DOCUMENTS

3,005,061	A *	10/1961	Cagen	379/455
D207,403	S *	4/1967	Schulke	D14/253
D228,462	S *	9/1973	Bailey	D14/253
D229,190	S *	11/1973	Landell	D14/253
D236,213	S *	8/1975	Paterson	D14/253
D241,144	S *	8/1976	Davis	D14/253
D288,283	S *	2/1987	Mattson	D8/373
4,700,918	A *	10/1987	Andrasko, Jr.	248/251
D310,019	S *	8/1990	Kee	D8/373
5,397,088	A *	3/1995	White	248/309.1
D413,787	S *	9/1999	Kuo	D8/363
6,102,348	A	8/2000	O'Neill	
D439,140	S *	3/2001	Jokinen et al.	D8/363
6,758,454	B2	7/2004	Smed	
D493,800	S	8/2004	Pfister et al.	
D494,596	S	8/2004	Pfister	

1 Claim, 2 Drawing Sheets



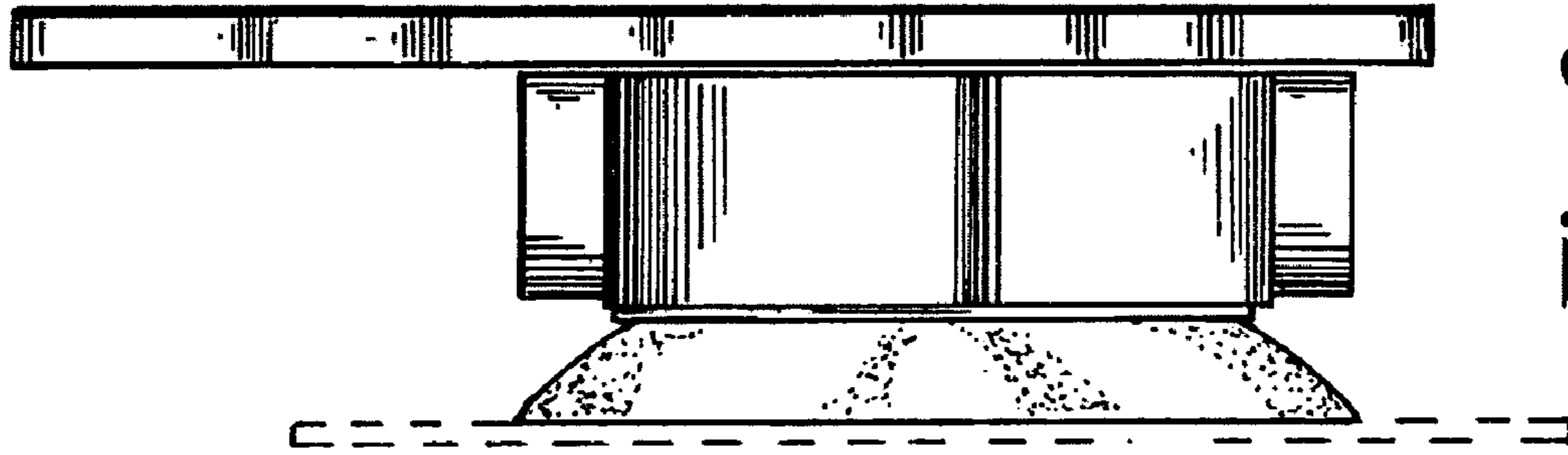


Fig. 2.

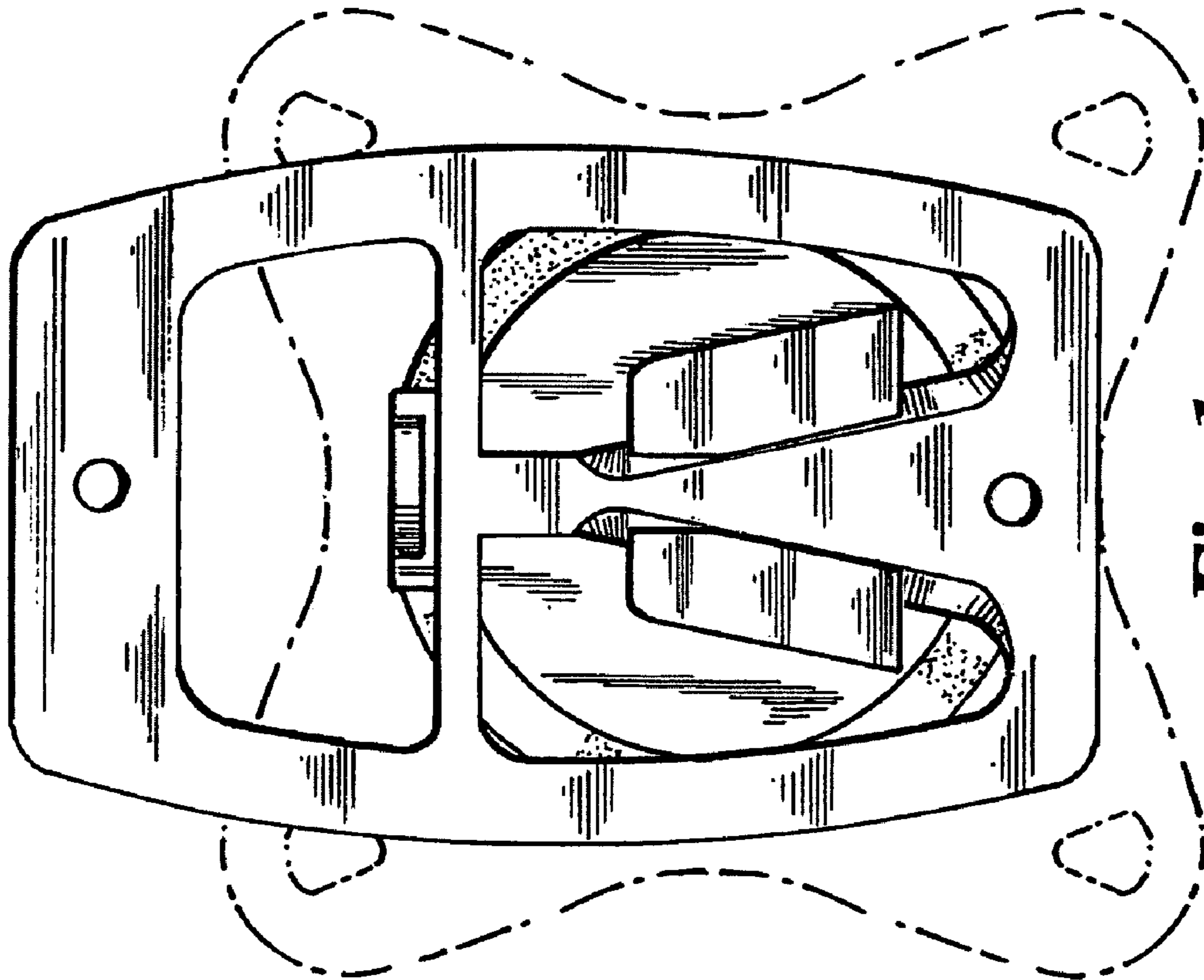


Fig. 1.

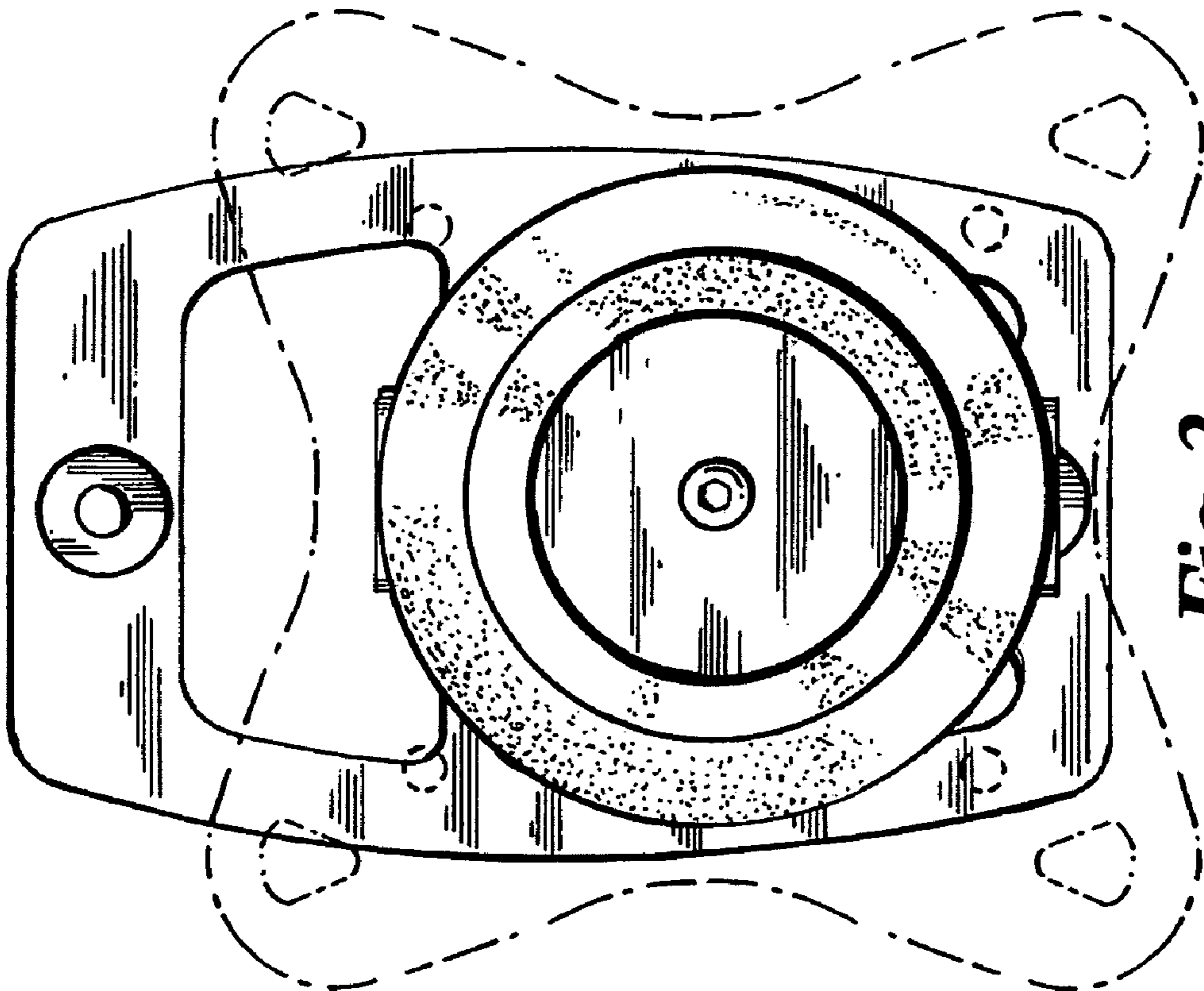


Fig. 3.

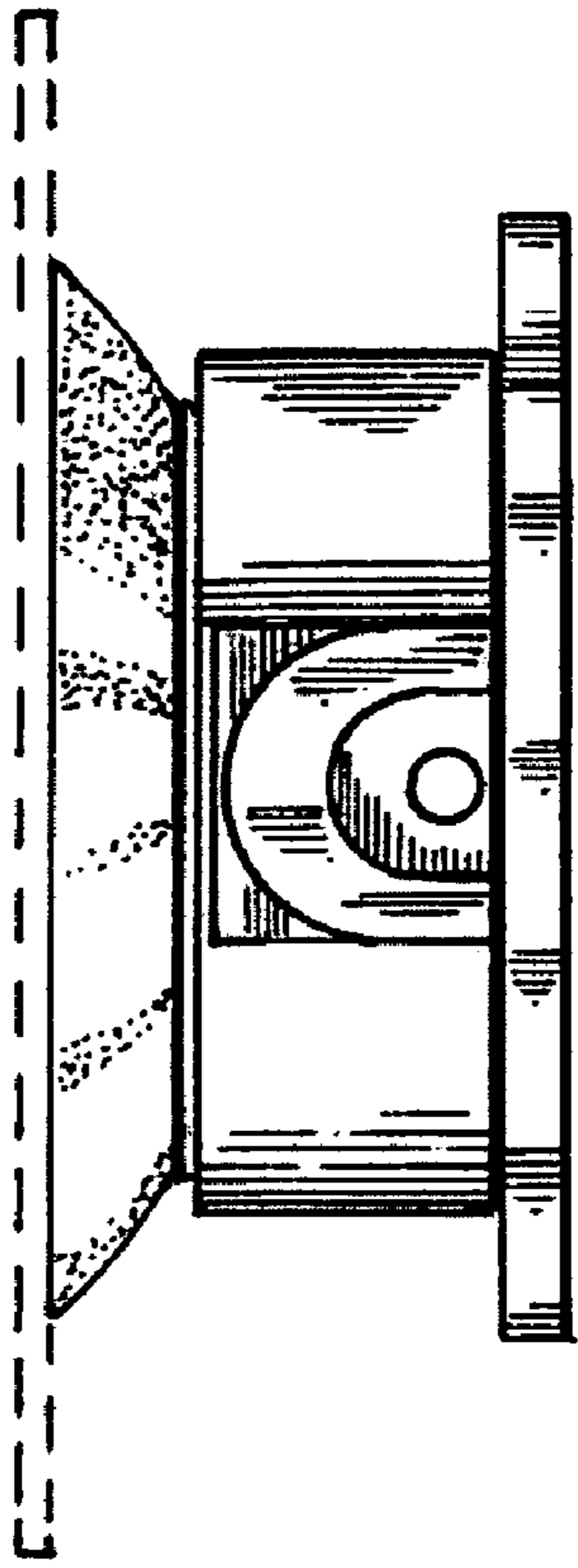


Fig. 4.

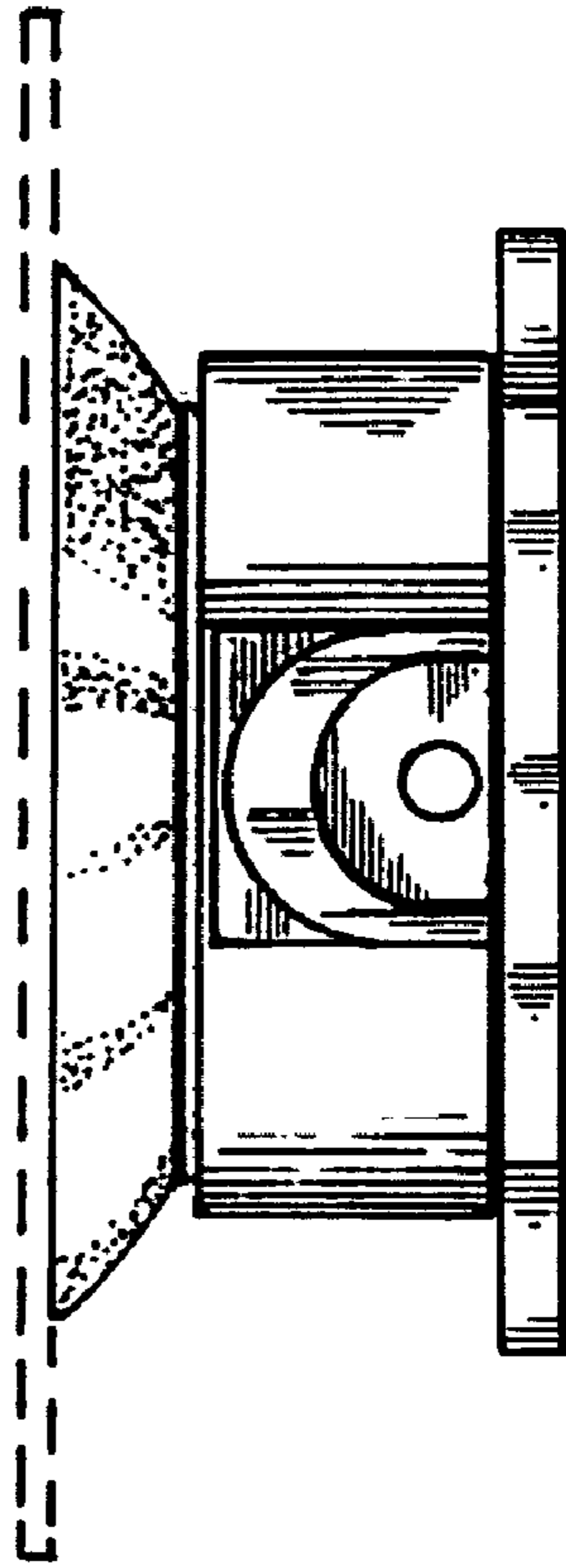


Fig. 5.

UNITED STATES PATENT AND TRADEMARK OFFICE
CERTIFICATE OF CORRECTION

PATENT NO. : D559,661 S
APPLICATION NO. : 29/265251
DATED : January 15, 2008
INVENTOR(S) : Wohlford et al.

Page 1 of 1

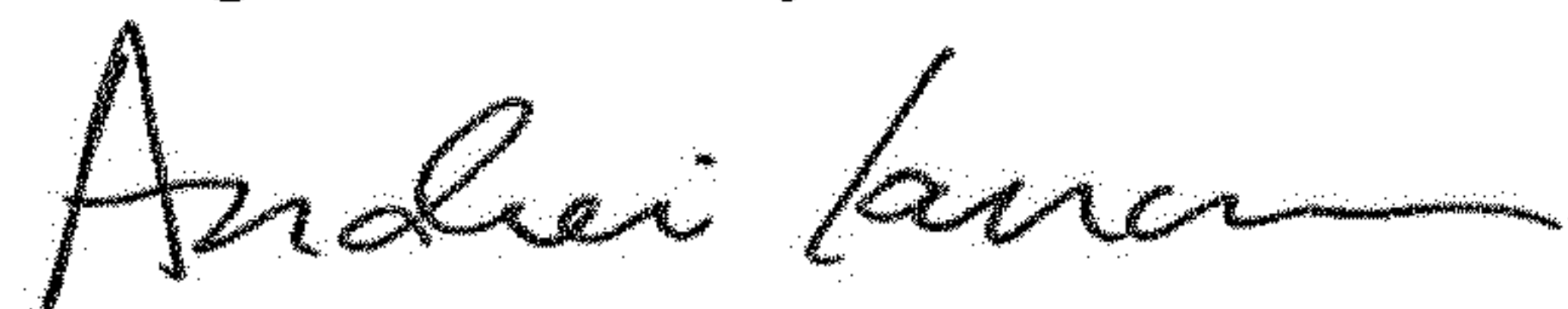
It is certified that error appears in the above-identified patent and that said Letters Patent is hereby corrected as shown below:

On the Title Page

Item (75) Inventor is corrected to read:

-- Jim Wohlford, Edina, (MN);
Dominic Grey, Blaine, (MN);
Nick Stanek, Roseville, (MN) --.

Signed and Sealed this
Eighteenth Day of June, 2019



Andrei Iancu
Director of the United States Patent and Trademark Office