



US00D559660S

(12) **United States Design Patent**
DeCosta

(10) **Patent No.:** **US D559,660 S**
(45) **Date of Patent:** **** Jan. 15, 2008**

(54) **WALL PLATE GROMMET**

(76) **Inventor:** **Tom DeCosta**, P.O. Box 70189, N.
Dartmouth, MA (US) 02747

(**) **Term:** **14 Years**

(21) **Appl. No.:** **29/272,177**

(22) **Filed:** **Feb. 2, 2007**

(51) **LOC (8) Cl.** **08-05**

(52) **U.S. Cl.** **D8/356**

(58) **Field of Classification Search** D8/105,
D8/107, 333, 349, 354, 356, 358, 367, 373,
D8/382, 383, 394-396; D23/261; D26/38;
24/197, 561; 174/153 G; 242/400.1, 405.1,
242/405.2, 600, 916; 248/65, 74.1-74.4,
248/214, 215, 229.26, 201, 302, 204, 316.7,
248/316.8; 439/501

See application file for complete search history.

(56) **References Cited**

U.S. PATENT DOCUMENTS

1,334,163	A *	3/1920	Neuberth	24/713.7
2,813,692	A *	11/1957	Peterson et al.	248/56
D231,898	S *	6/1974	Saxen	D8/358
D239,004	S *	3/1976	Chope	D8/358
4,267,995	A *	5/1981	McMillan	248/74.1
D278,459	S *	4/1985	Cook	D23/261
D284,265	S *	6/1986	Resan	D8/382
D285,044	S *	8/1986	Mockett	D8/354
4,656,689	A *	4/1987	Dennis	16/2.2
4,839,937	A *	6/1989	Oikawa et al.	174/153 G
D313,340	S *	1/1991	Stathis et al.	D8/356
5,167,047	A *	12/1992	Plumley	174/153 G
D343,228	S *	1/1994	Colin	D23/261
D347,567	S *	6/1994	Duffy	D8/354
D360,820	S *	8/1995	Haase	D8/356
5,567,916	A *	10/1996	Napiorkowski et al.	174/153 G

D392,547	S *	3/1998	Nakamura	D8/356
5,726,392	A *	3/1998	Farr et al.	174/660
D406,049	S *	2/1999	Bernat	D8/358
D409,894	S *	5/1999	McClurg	D8/349
D443,811	S *	6/2001	Tisbo	D8/356
D466,199	S *	11/2002	Newhard	D23/261
7,064,275	B2 *	6/2006	Henriott et al.	174/100
D548,572	S *	8/2007	DeCosta	D8/353

* cited by examiner

Primary Examiner—T. Chase Nelson
Assistant Examiner—Karen Acker

(57) **CLAIM**

The ornamental design for a wall plate grommet, as shown and described.

DESCRIPTION

FIG. 1 is a front perspective view of the wall plate grommet employing our new design;

FIG. 2 is a front view of the wall plate grommet of FIG. 1;

FIG. 3 is a rear view of the wall plate grommet of FIG. 1;

FIG. 4 is a top view of the wall plate grommet of FIG. 1 with the bottom view being identical to FIG. 4;

FIG. 5 is a left view of the wall plate grommet of FIG. 1 with the right side view being identical to FIG. 5;

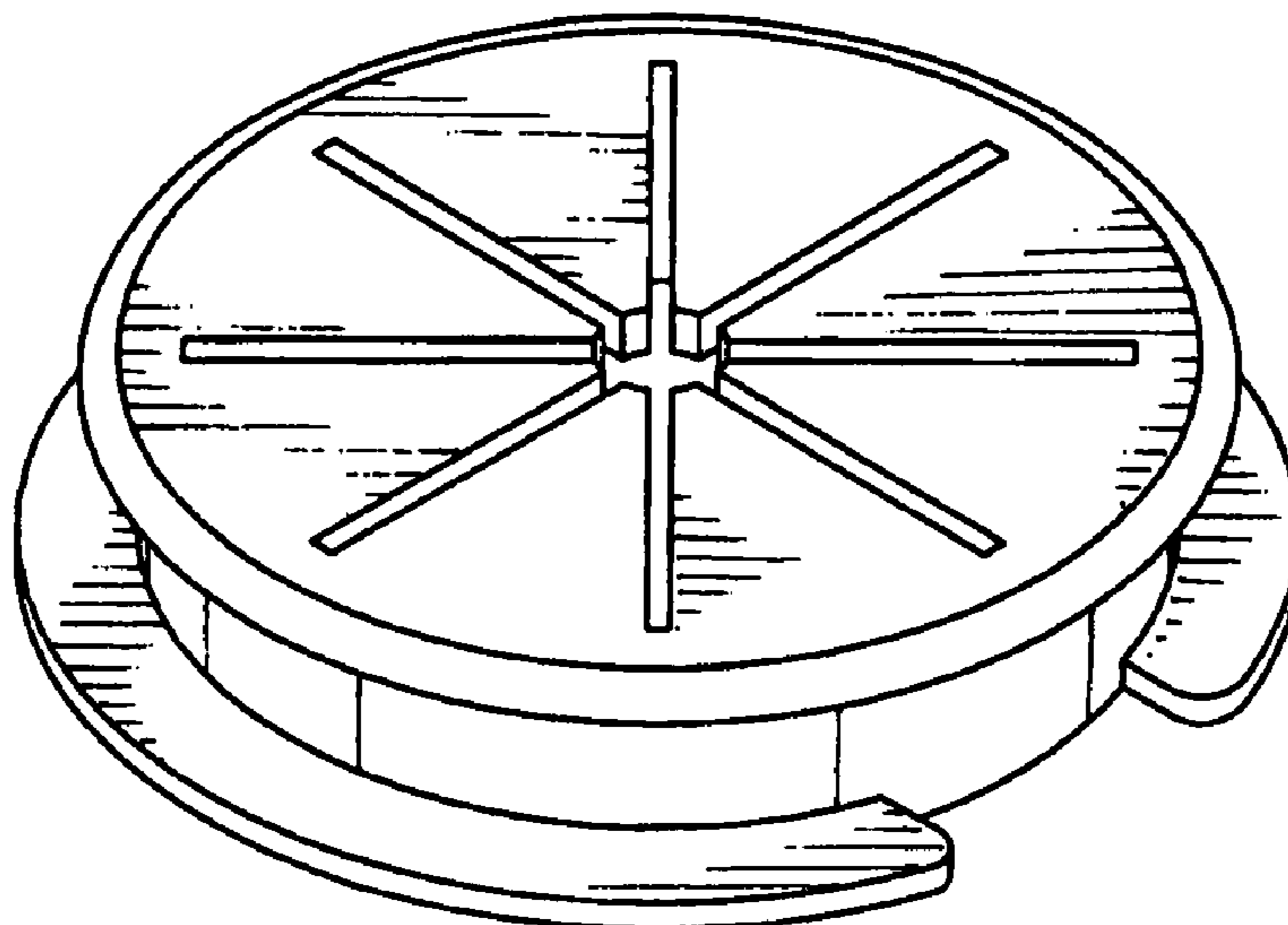
FIG. 6 is a side view of an illustrative wall plate incorporating the wall plate grommet of FIG. 1;

FIG. 7 is a front perspective view of an illustrative wall plate incorporating the wall plate grommet of FIG. 1; and,

FIG. 8 is a rear perspective view of an illustrative wall plate incorporating the wall plate grommet of FIG. 1.

The broken line showing of the wall plate is for illustrative purposes only and forms no part of the claimed design.

1 Claim, 5 Drawing Sheets



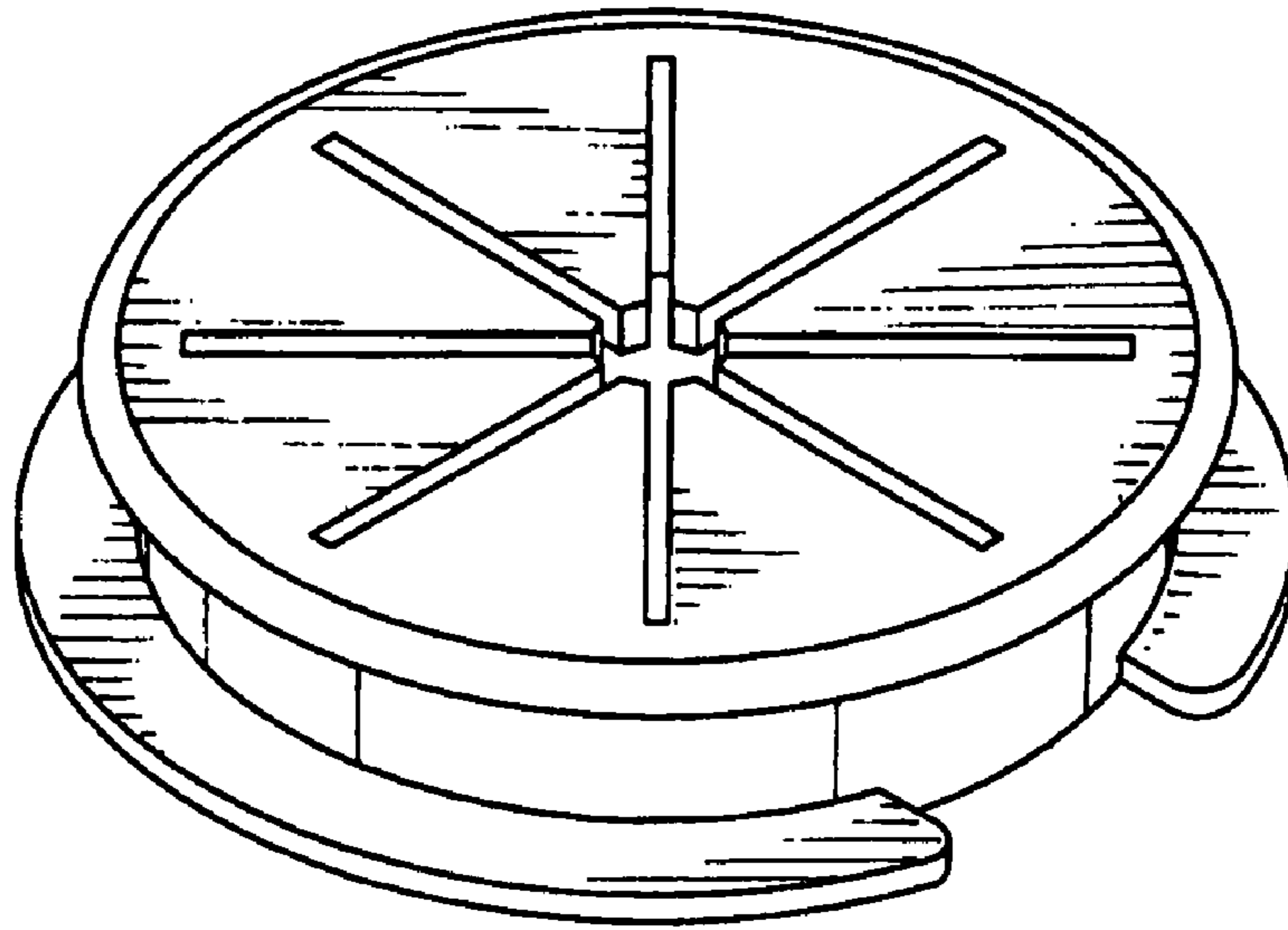


FIG. 1

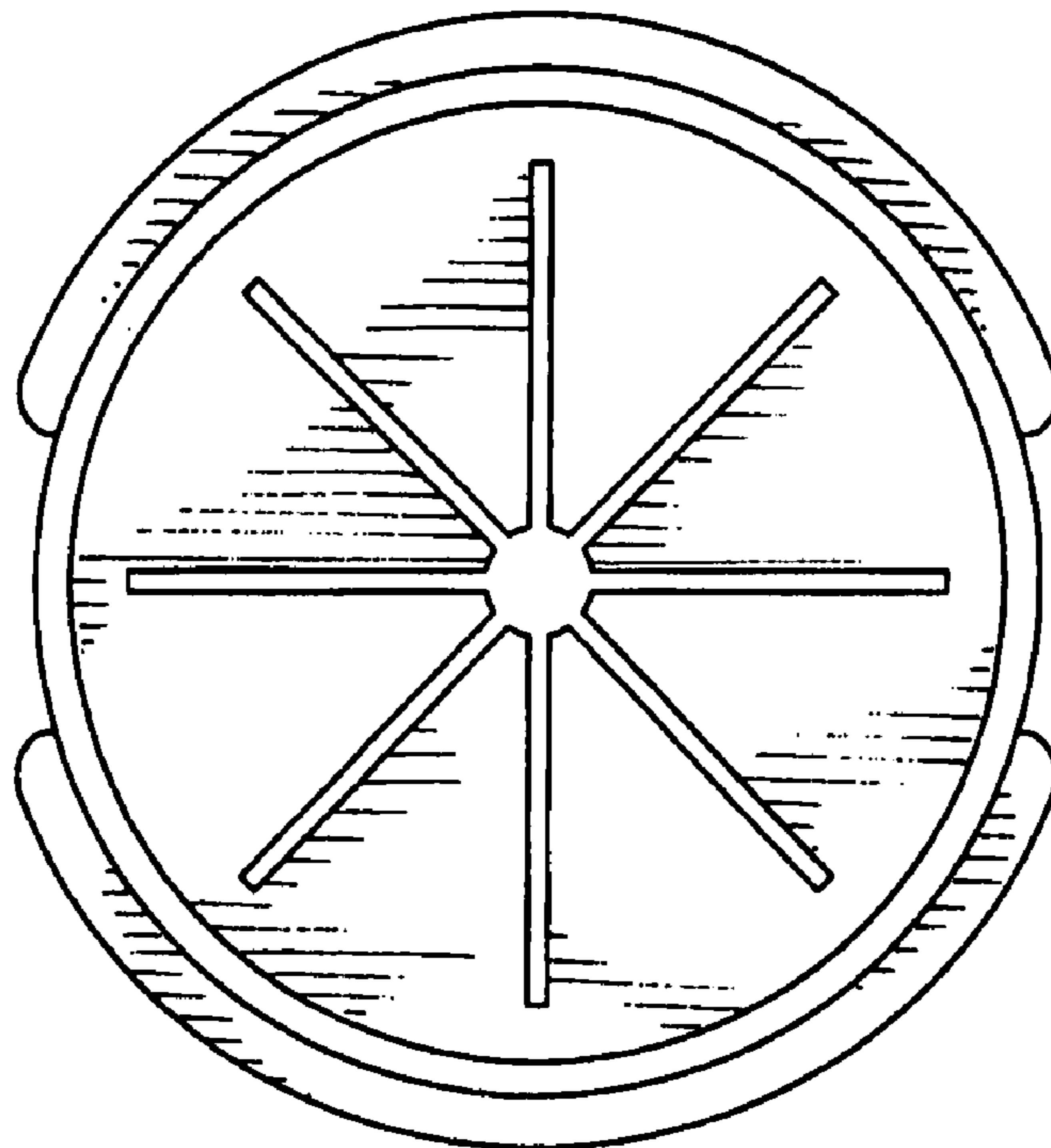


FIG. 2

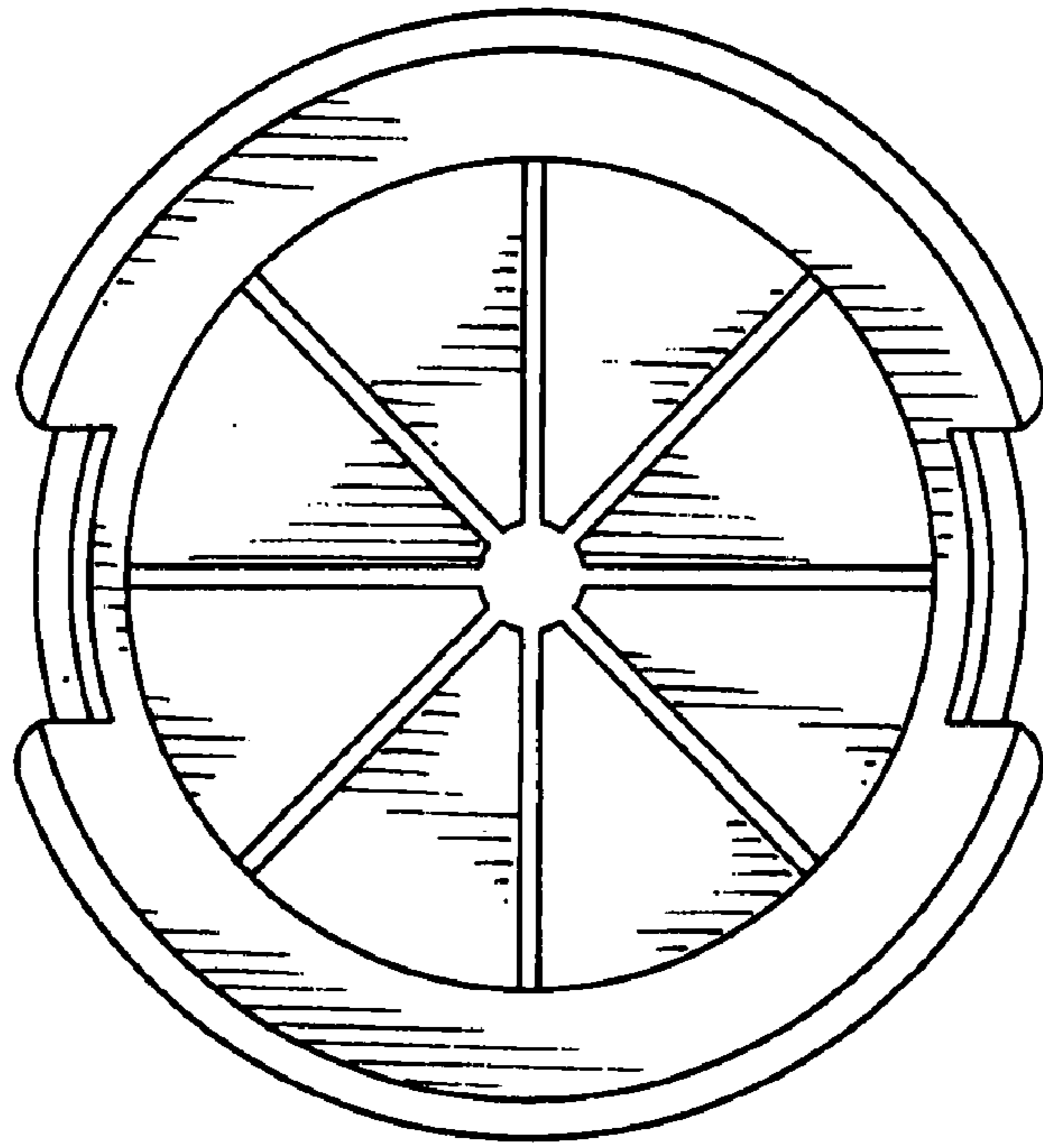


FIG. 3

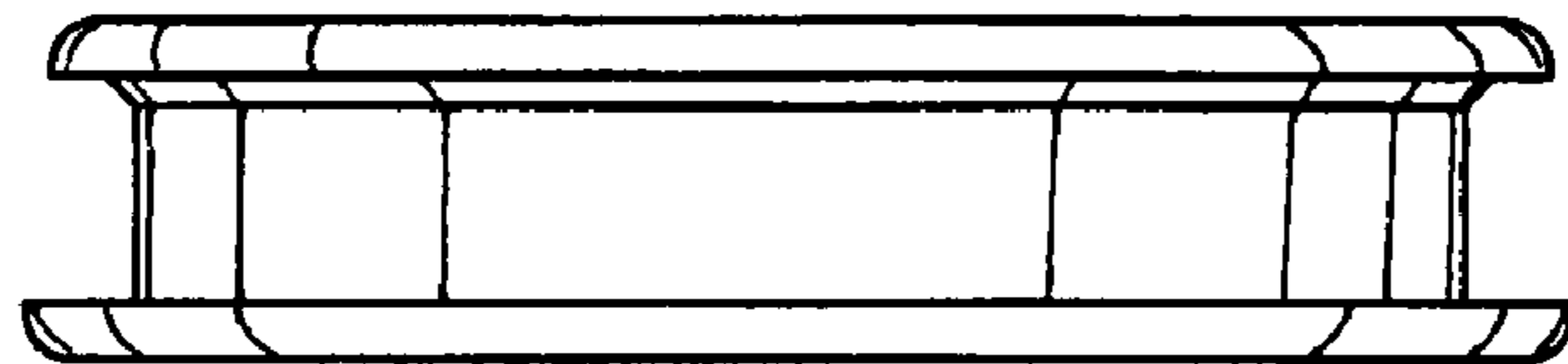


FIG. 4

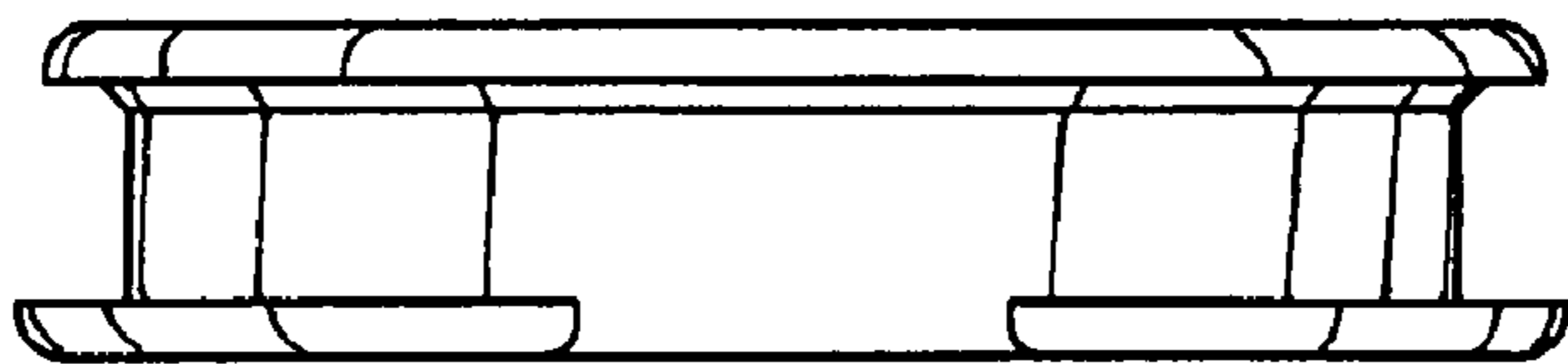


FIG. 5

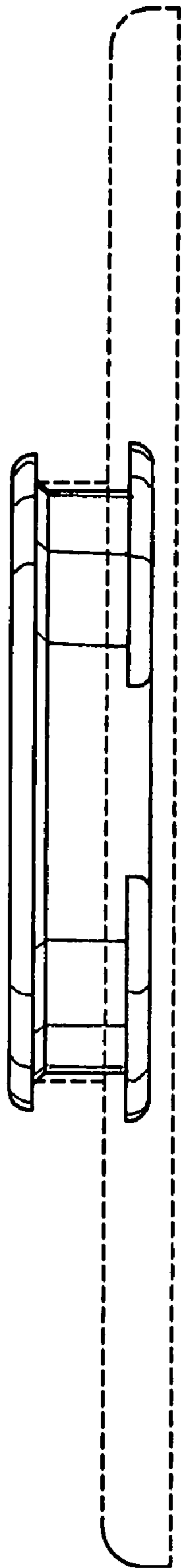


FIG. 6

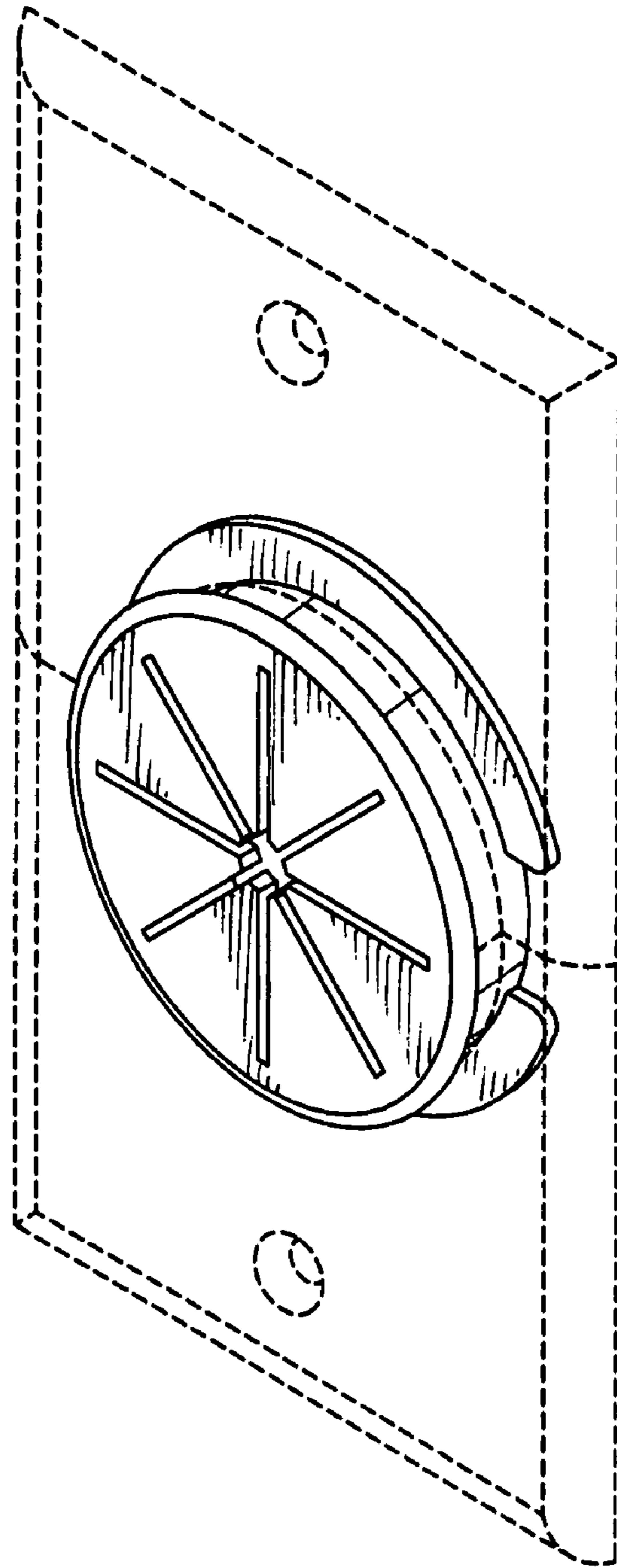


FIG. 7

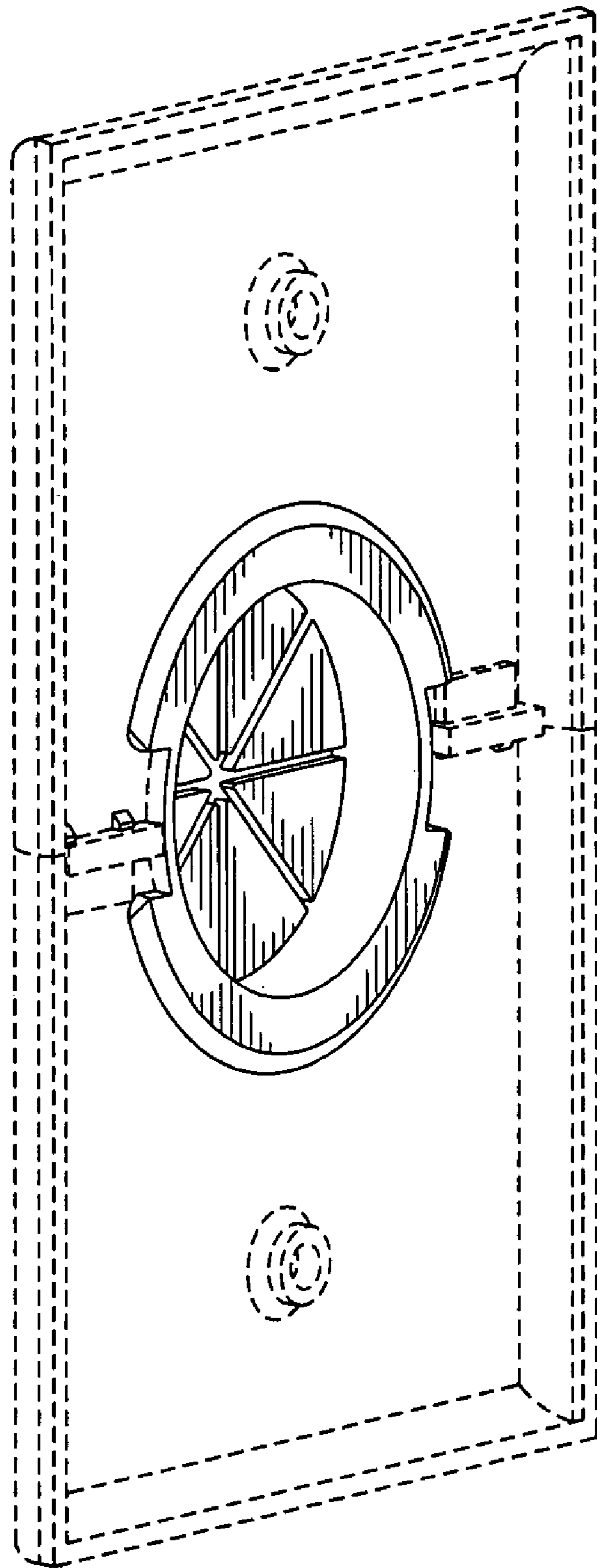


FIG. 8