



US00D559659S

(12) **United States Design Patent**
Kruger

(10) **Patent No.:** **US D559,659 S**

(45) **Date of Patent:** **** Jan. 15, 2008**

(54) **GROMMET FOR A PALLET**

(75) Inventor: **Warren F. Kruger**, Tulsa, OK (US)

(73) Assignee: **Greystone Logistics, Inc.**, Tulsa, OK (US)

(**) Term: **14 Years**

(21) Appl. No.: **29/249,480**

(22) Filed: **Oct. 9, 2006**

(51) **LOC (8) Cl.** **08-05**

(52) **U.S. Cl.** **D8/356**

(58) **Field of Classification Search** D8/105,
D8/107, 333, 349, 354, 356, 358, 367, 373,
D8/382, 383, 394-396; D23/261; D26/38;
24/197, 561; 174/153 G; 242/400.1, 405.1,
242/405.2, 600, 916; 248/65, 74.1-74.4,
248/214, 215, 229.26, 201, 302, 204, 316.7,
248/316.8; 439/501; D34/38; 108/57.25
See application file for complete search history.

(56) **References Cited**

U.S. PATENT DOCUMENTS

2,115,962	A *	5/1938	Orme	431/156
3,874,133	A *	4/1975	Silvius	52/285.4
3,955,510	A *	5/1976	Kinik et al.	108/192
3,973,855	A *	8/1976	Florence	403/171
D249,765	S *	10/1978	Wilson	D6/556
4,161,977	A *	7/1979	Baslow	160/381
D284,521	S *	7/1986	Forrest	D11/218
D305,864	S *	2/1990	Sun	D8/382
5,110,234	A *	5/1992	Makinen	403/403
5,489,081	A *	2/1996	Coffey	248/603
D395,592	S *	6/1998	Clavel et al.	D8/354
5,791,262	A *	8/1998	Knight et al.	108/57.25
D398,732	S *	9/1998	Pigott et al.	D34/38
6,283,044	B1 *	9/2001	Apps	108/57.25

D476,789	S *	7/2003	Apps et al.	D34/38
6,962,115	B2 *	11/2005	Markling et al.	108/57.25
6,976,437	B2 *	12/2005	Fisch et al.	108/57.25
2006/0214074	A1 *	9/2006	Daoud	248/304

* cited by examiner

Primary Examiner—T. Chase Nelson

Assistant Examiner—Karen Acker

(74) *Attorney, Agent, or Firm*—Head, Johnson & Kachigian

(57) **CLAIM**

The ornamental design for a grommet for a pallet, as shown and described.

DESCRIPTION

FIG. 1 is a perspective view of a grommet for a pallet constructed in accordance with the present invention;

FIG. 2 is a right side view of a grommet for a pallet as shown in FIG. 1 with the left side (not shown) being a mirror image thereof;

FIG. 3 is a top view of a grommet for a pallet as shown in FIG. 1;

FIG. 4 is a bottom view of a grommet for a pallet as shown, in FIG. 1;

FIG. 5 is a front view of a grommet for a pallet as shown in FIG. 1 with the rear view (not shown) being a mirror image thereof;

FIG. 6 is a section view of a grommet taken along section lines 6—6 of FIG. 2; and,

FIG. 7 is a perspective view of the grommet for a pallet in condition of use. The environment of use and the multiples of the grommet shown in broken line form no part of the claimed design.

1 Claim, 3 Drawing Sheets

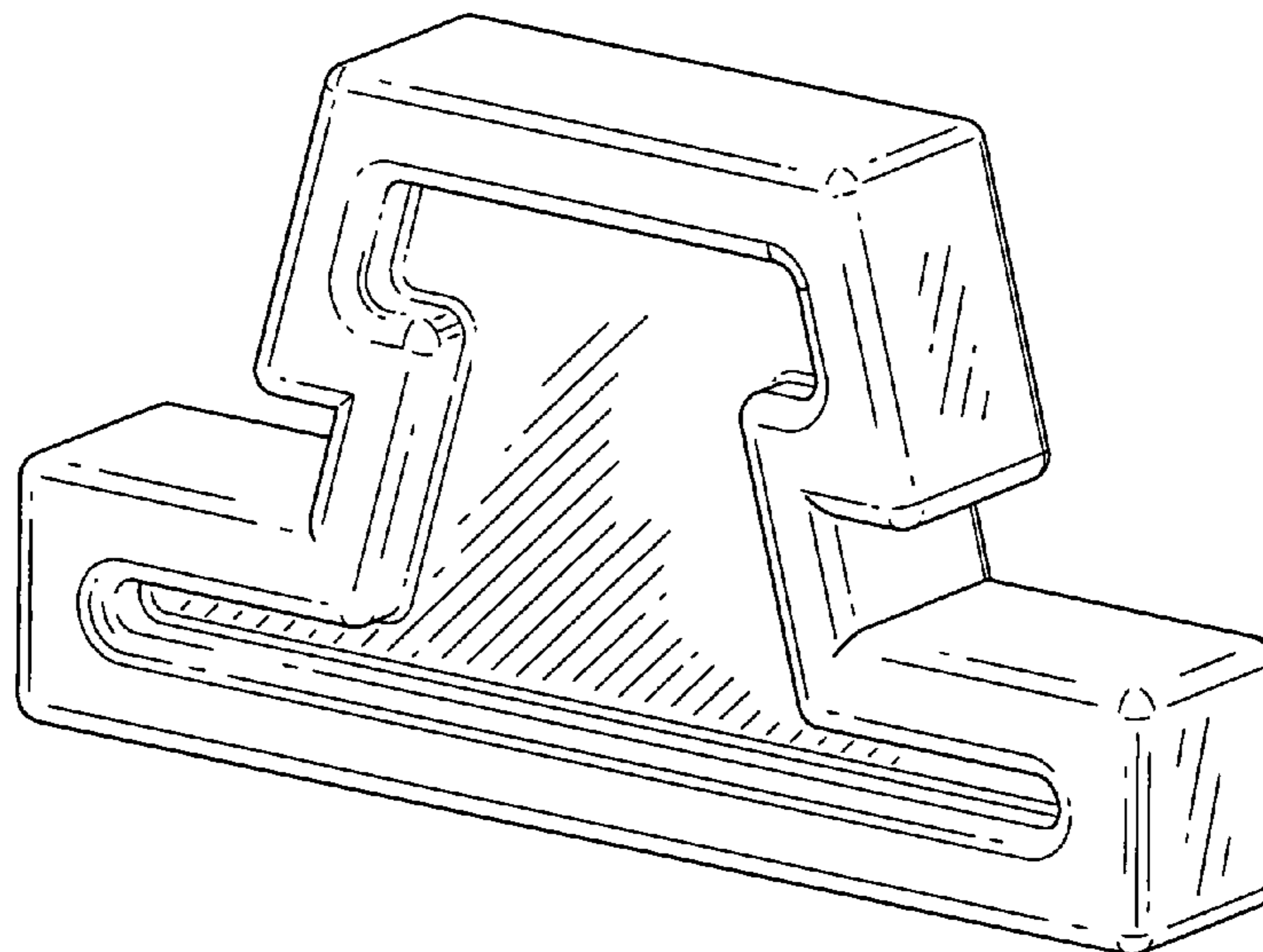


FIG. 1

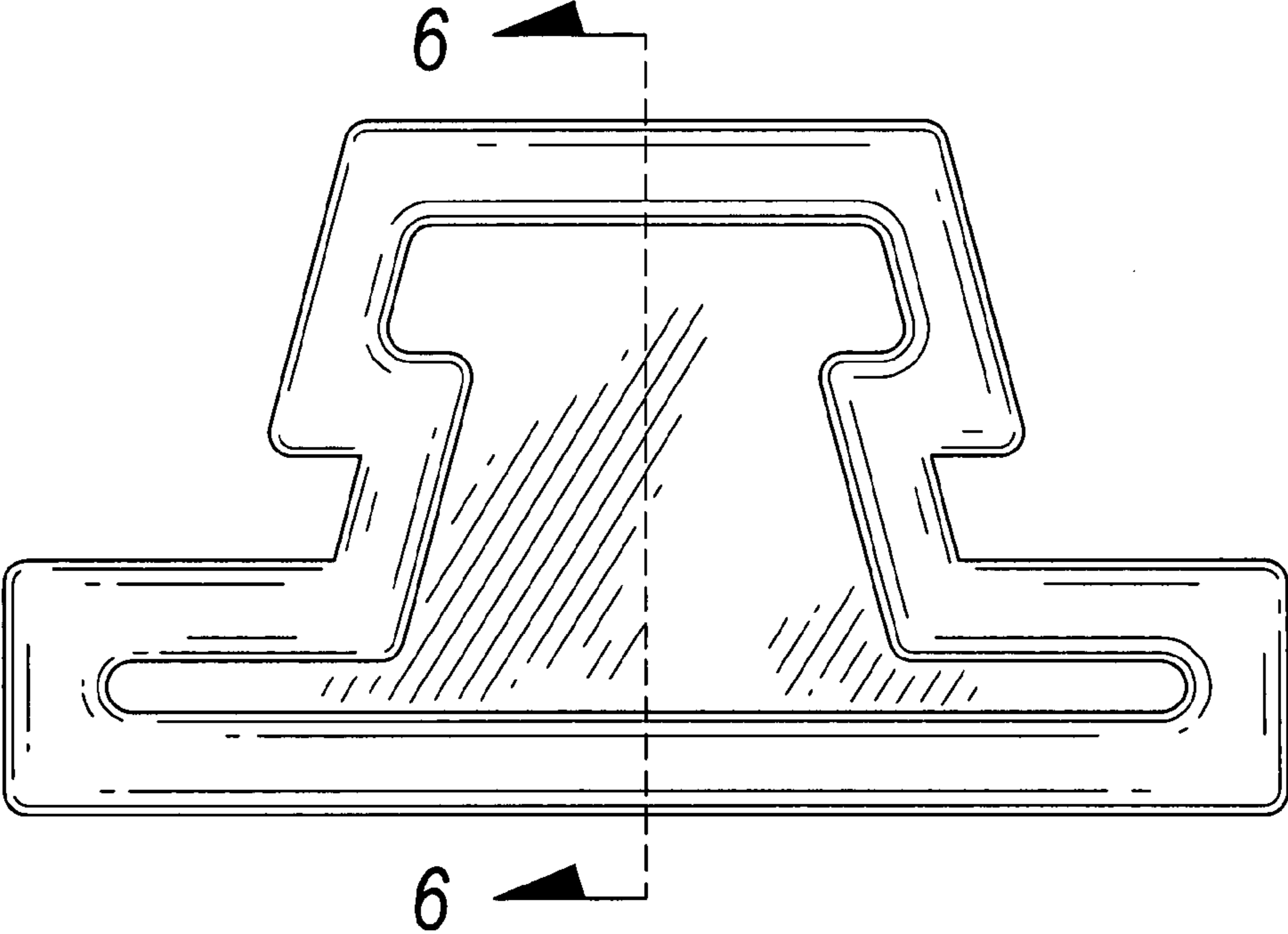
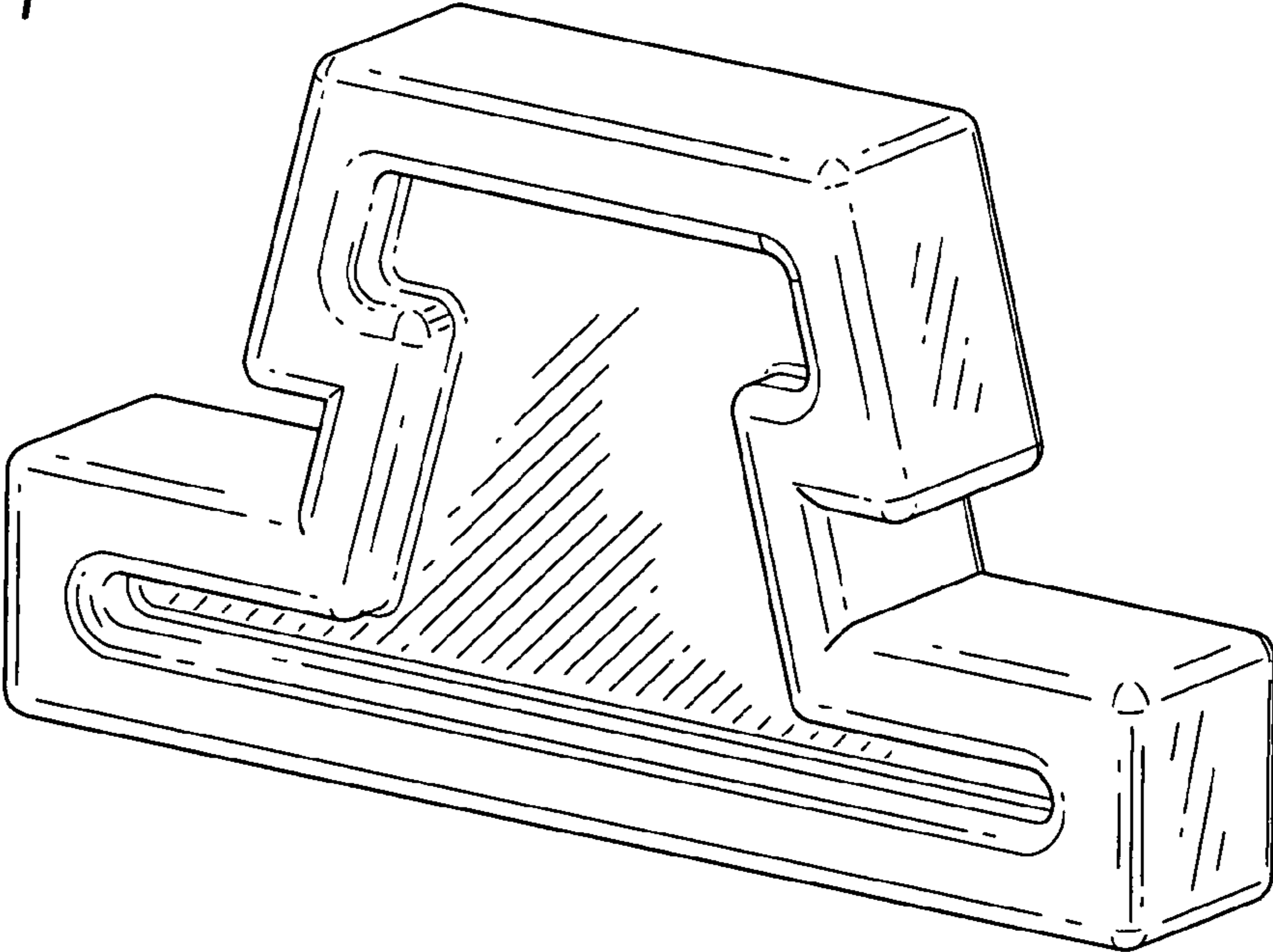


FIG. 2

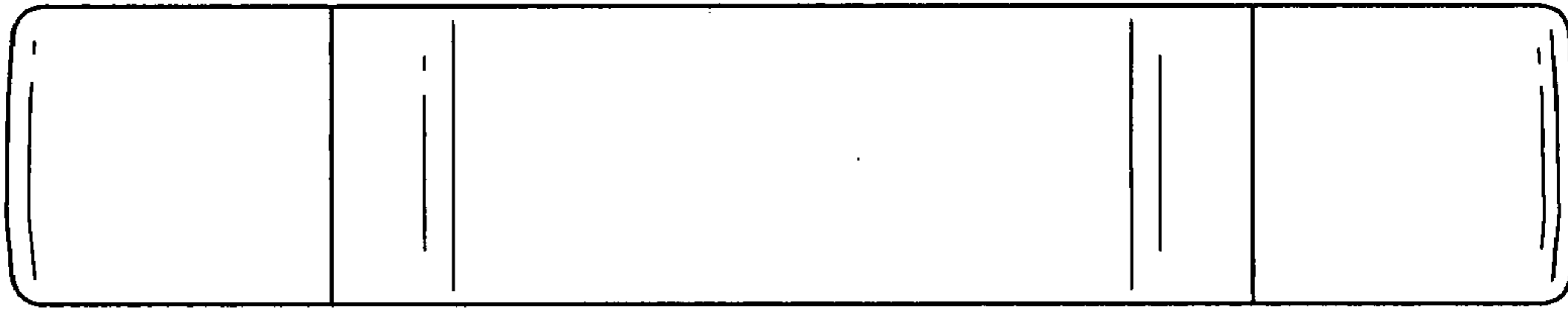


FIG. 3

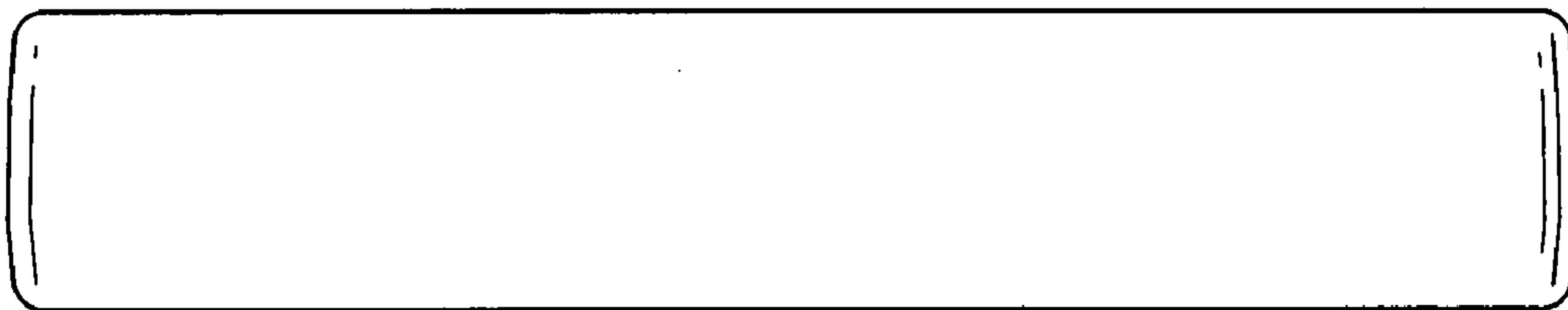


FIG. 4

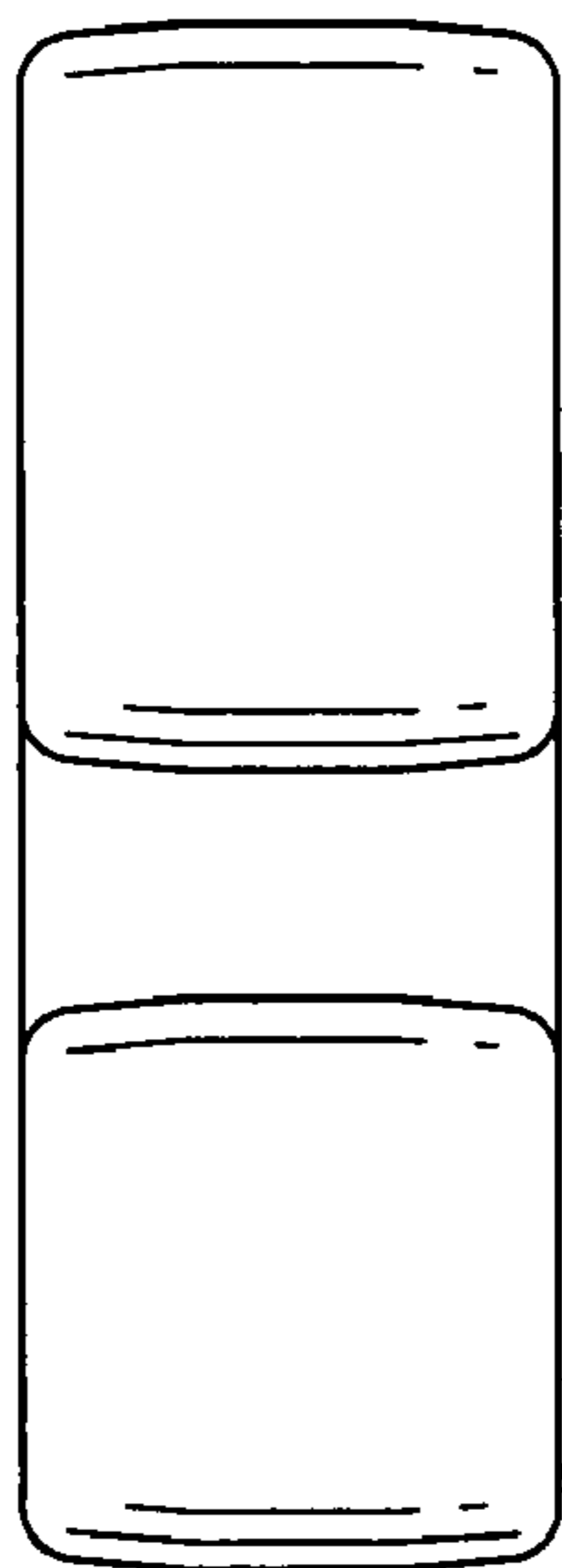


FIG. 5

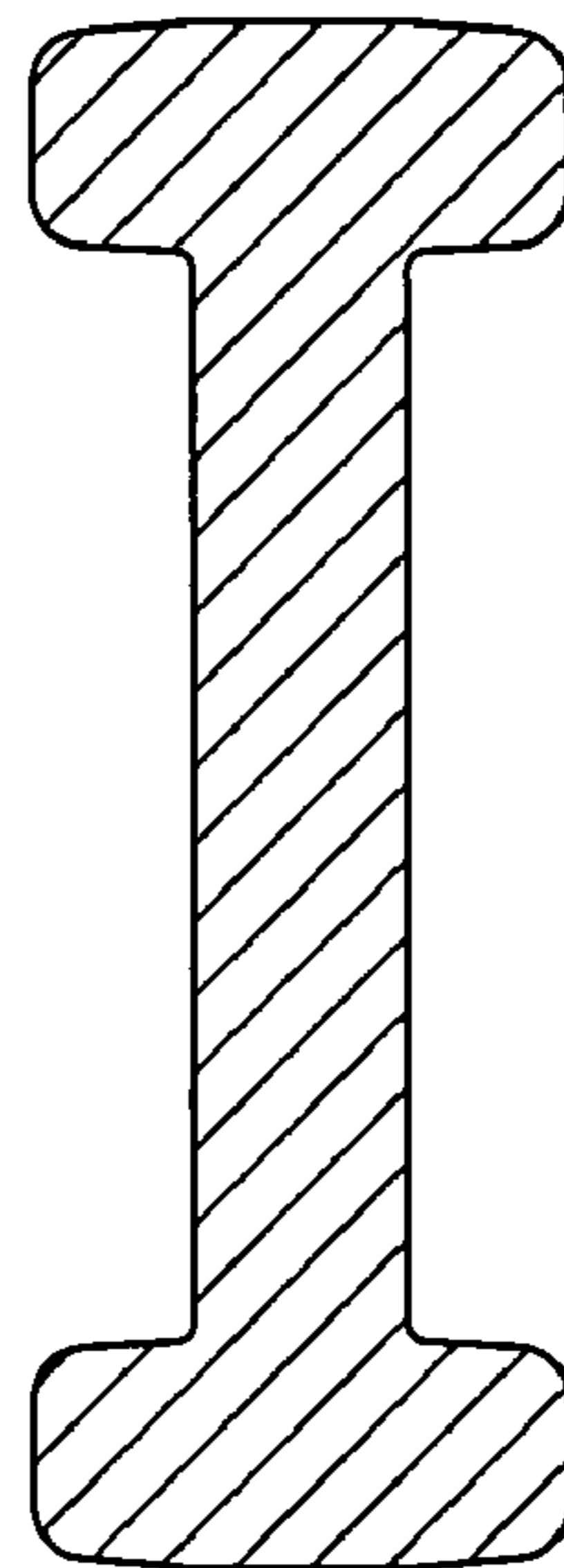


FIG. 6

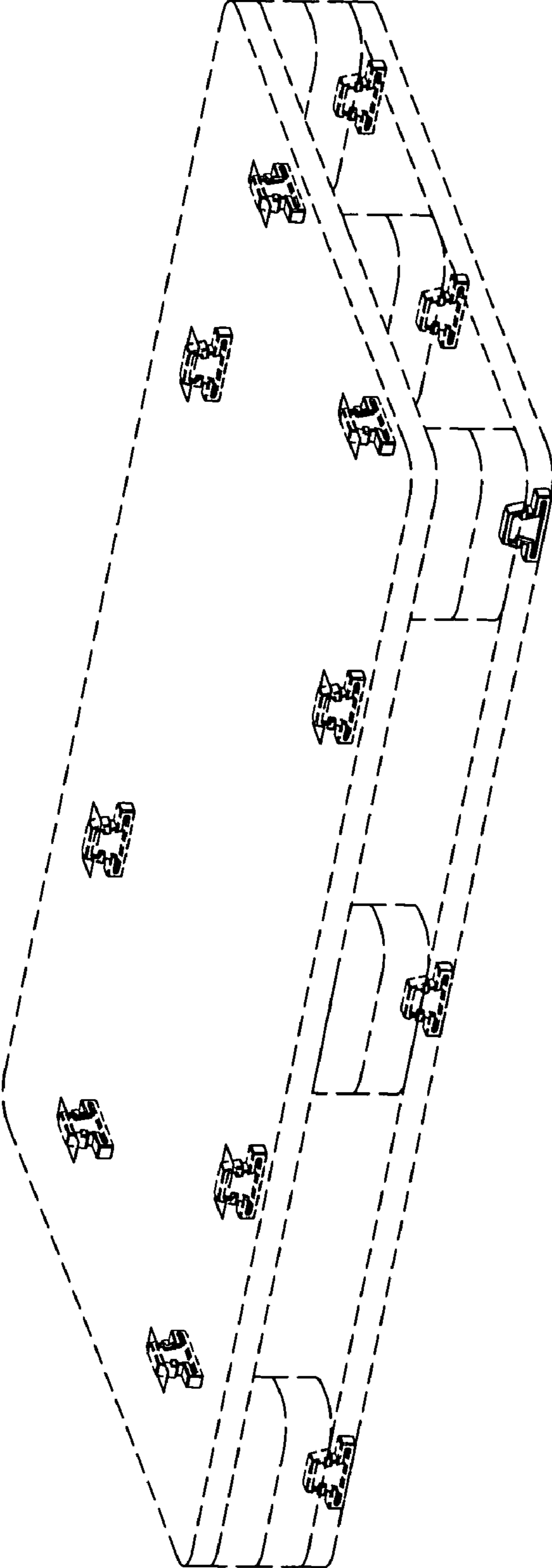


FIG. 7