



US00D559657S

(12) **United States Design Patent**  
**Wohlford et al.**

(10) **Patent No.:** **US D559,657 S**  
(45) **Date of Patent:** **\*\* Jan. 15, 2008**

(54) **MOUNTING DEVICE FOR ARTICLE**

6,923,413 B2 8/2005 Dozier  
7,028,961 B1 4/2006 Dittmer et al.

(75) Inventors: **Jim Wohlford**, Edina, MN (US);  
**Dominic Grey**, Blaine, MN (US)

**OTHER PUBLICATIONS**

(73) Assignee: **CSAV, Inc.**, Savage, MN (US)

CHIEF, *Centris™ Mounting System Ordering & Cross-Reference Information, Chief Full-Line Product Guide*, 2004, pp. 51-55.

(\*\*) Term: **14 Years**

\* cited by examiner

(21) Appl. No.: **29/265,245**

*Primary Examiner*—Holly H. Baynham

(22) Filed: **Aug. 28, 2006**

(74) *Attorney, Agent, or Firm*—Patterson, Thunte, Skaar & Christensen, PA

(51) **LOC (8) Cl.** ..... **08-05**

(52) **U.S. Cl.** ..... **D8/354**

(58) **Field of Classification Search** ..... D8/349,  
D8/354, 373; D14/253, 452; 248/309.1,  
248/274.1, 284.1

See application file for complete search history.

(57) **CLAIM**

(56) **References Cited**

**U.S. PATENT DOCUMENTS**

|           |     |         |                 |           |
|-----------|-----|---------|-----------------|-----------|
| 3,005,061 | A * | 10/1961 | Cagen           | 379/455   |
| D207,403  | S * | 4/1967  | Schulke         | D14/253   |
| D228,462  | S * | 9/1973  | Bailey          | D14/253   |
| D229,190  | S * | 11/1973 | Landell         | D14/253   |
| D236,213  | S * | 8/1975  | Paterson        | D14/253   |
| D241,144  | S * | 8/1976  | Davis           | D14/253   |
| D288,283  | S * | 2/1987  | Mattson         | D8/373    |
| 4,700,918 | A * | 10/1987 | Andrasko, Jr.   | 248/251   |
| D310,019  | S * | 8/1990  | Kee             | D8/373    |
| 5,397,088 | A * | 3/1995  | White           | 248/309.1 |
| D413,787  | S * | 9/1999  | Kuo             | D8/363    |
| 6,102,348 | A   | 8/2000  | O'Neill         |           |
| D439,140  | S * | 3/2001  | Jokinen et al.  | D8/363    |
| 6,758,454 | B2  | 7/2004  | Smed            |           |
| D493,800  | S   | 8/2004  | Pfister et al.  |           |
| D494,596  | S   | 8/2004  | Pfister         |           |
| 6,874,743 | B2  | 4/2005  | Watanabe et al. |           |

We claim the ornamental design for mounting device for article, as shown and described.

**DESCRIPTION**

FIG. 1 is a rear perspective view of a mounting device for article according to an embodiment of the invention;

FIG. 2 is a rear elevation view of the mounting device for article depicted in FIG. 1;

FIG. 3 is a side elevation view of the mounting device for article depicted in FIG. 1;

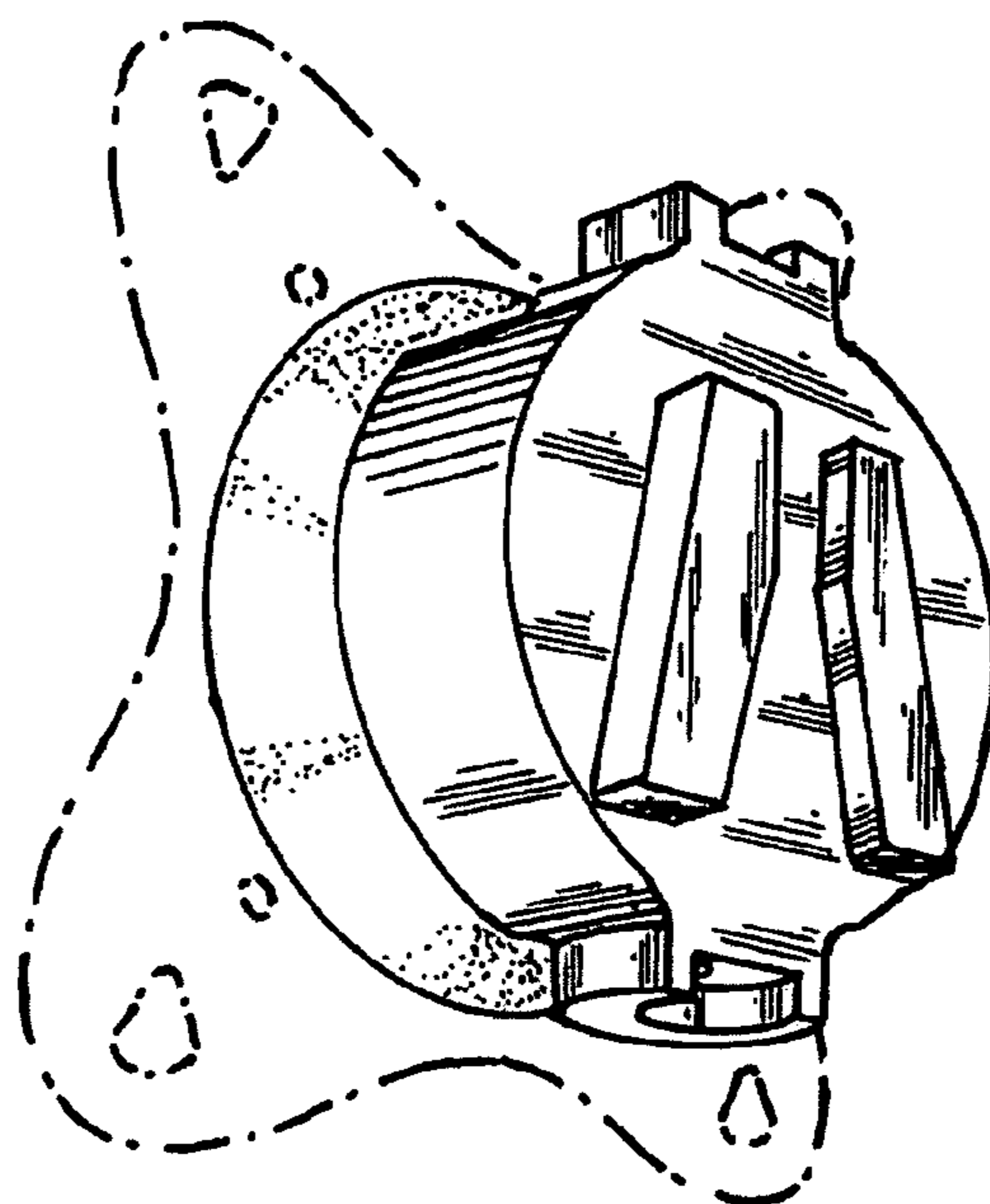
FIG. 4 is a front elevation view of the mounting device for article depicted in FIG. 1;

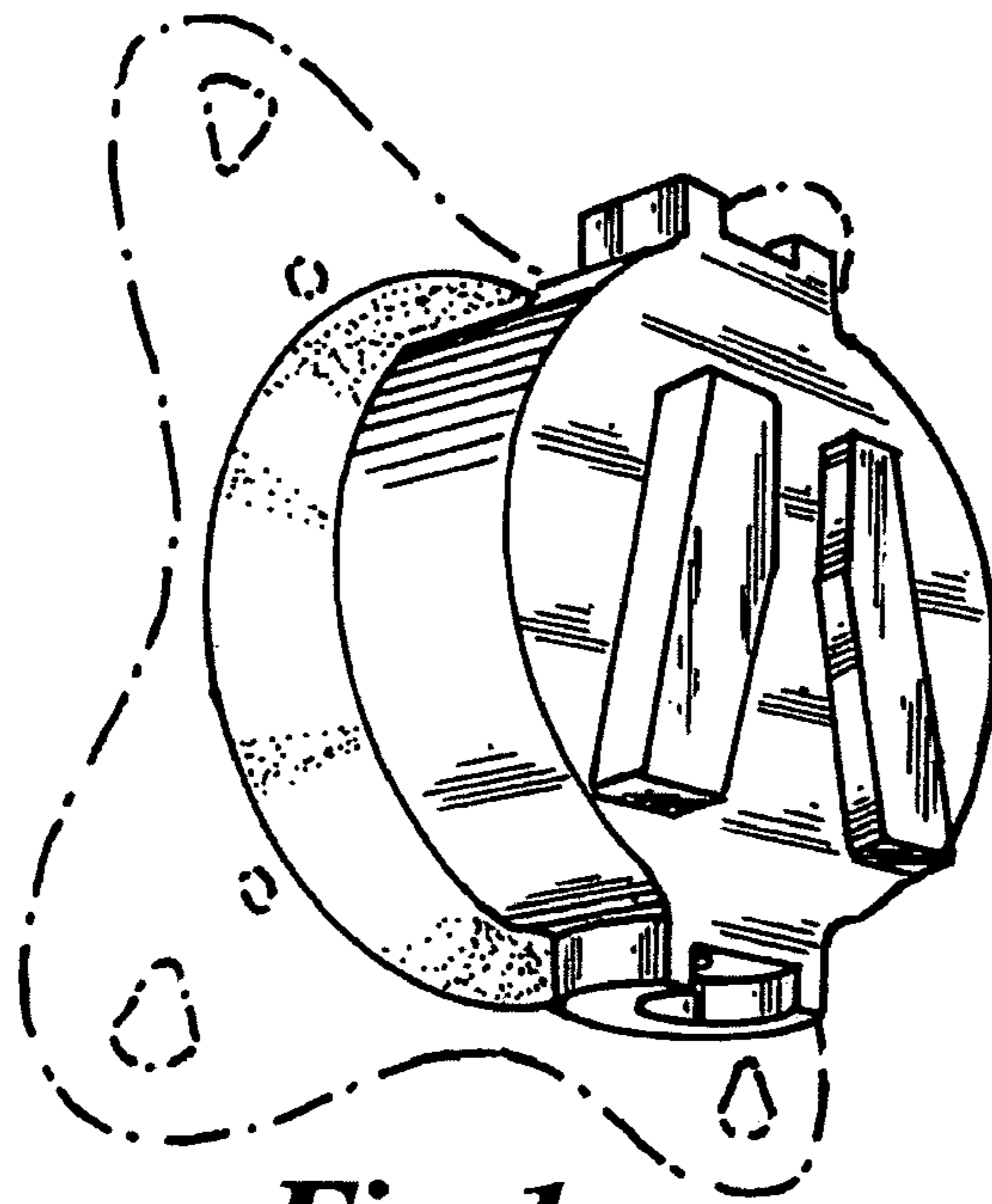
FIG. 5 is a top plan view of the mounting device for article depicted in FIG. 1; and,

FIG. 6 is a bottom plan view of the mounting device for article depicted in FIG. 1.

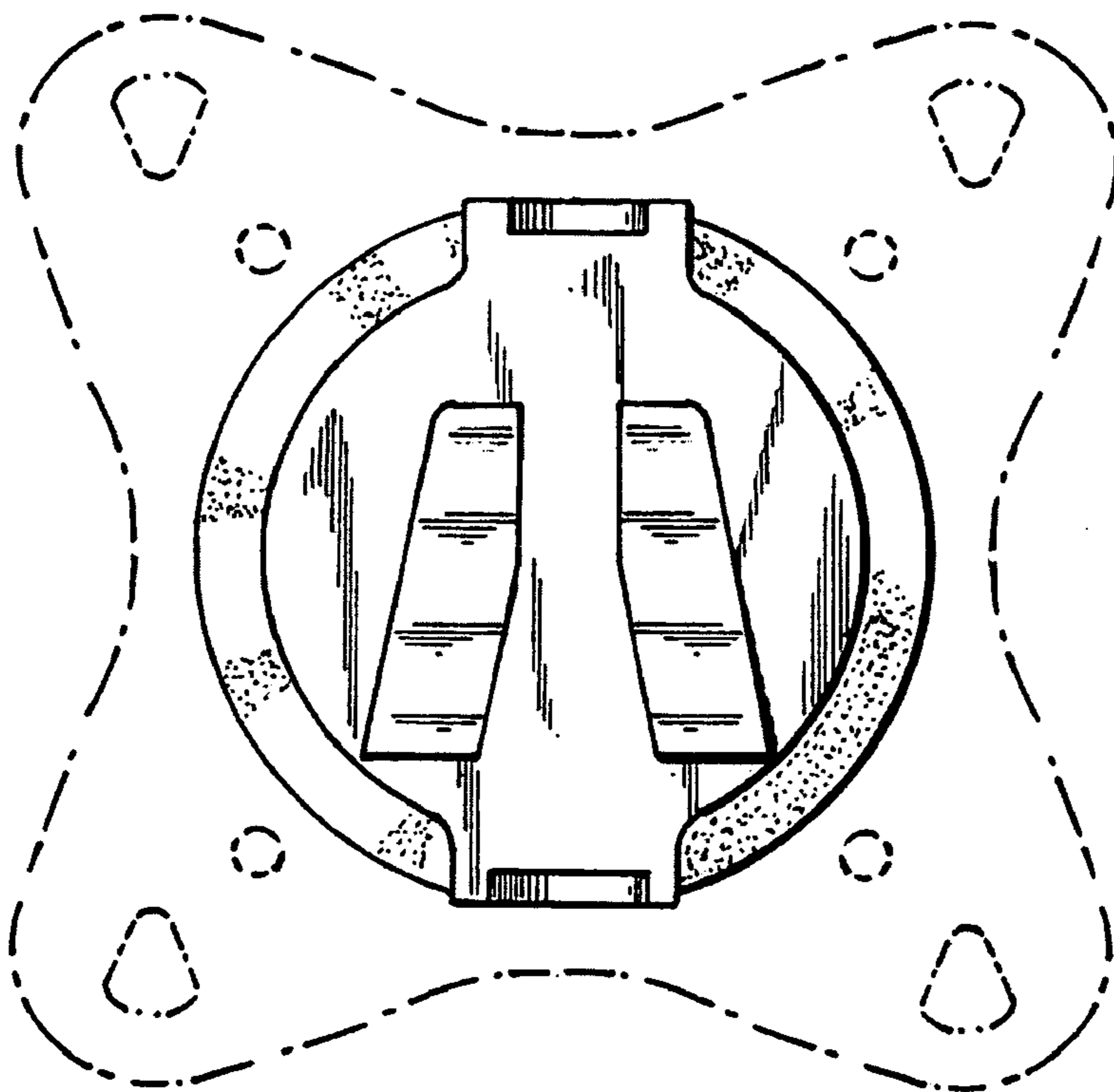
The opposing side elevation view of the mounting device for article is a mirror image of the view of FIG. 3. The broken-line disclosure in the views is for illustrative purposes only and forms no part of the claimed design.

**1 Claim, 2 Drawing Sheets**

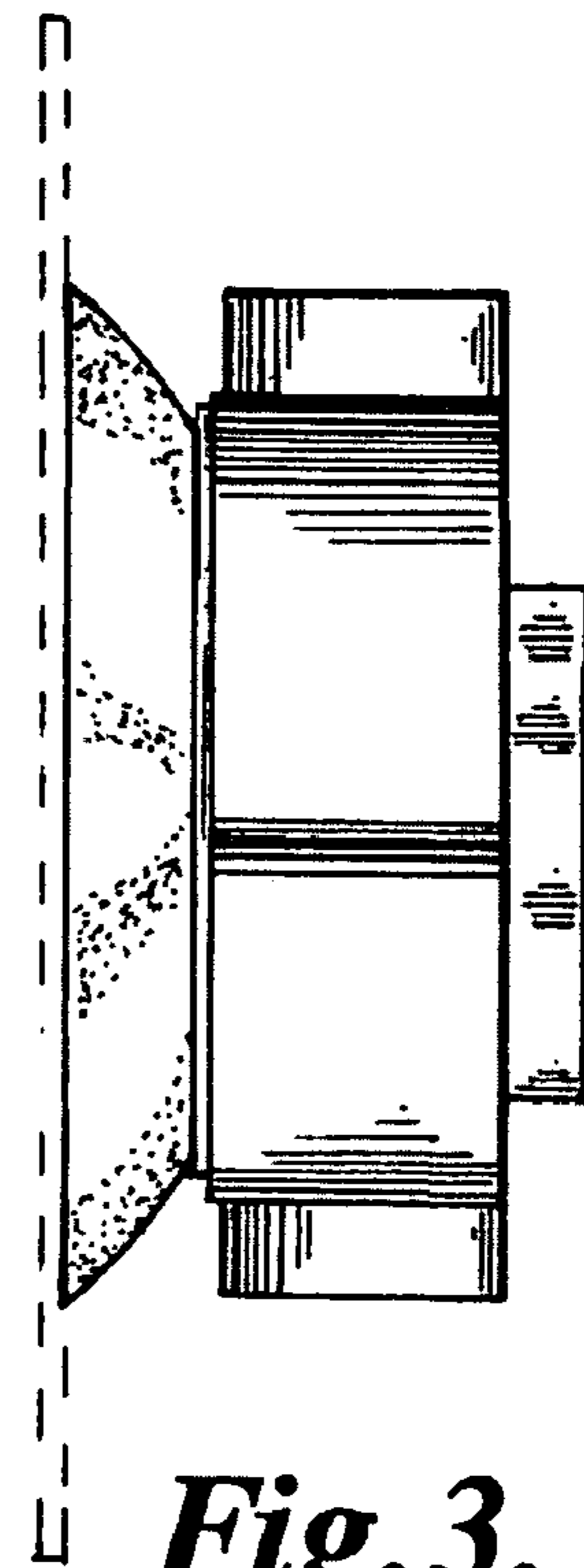




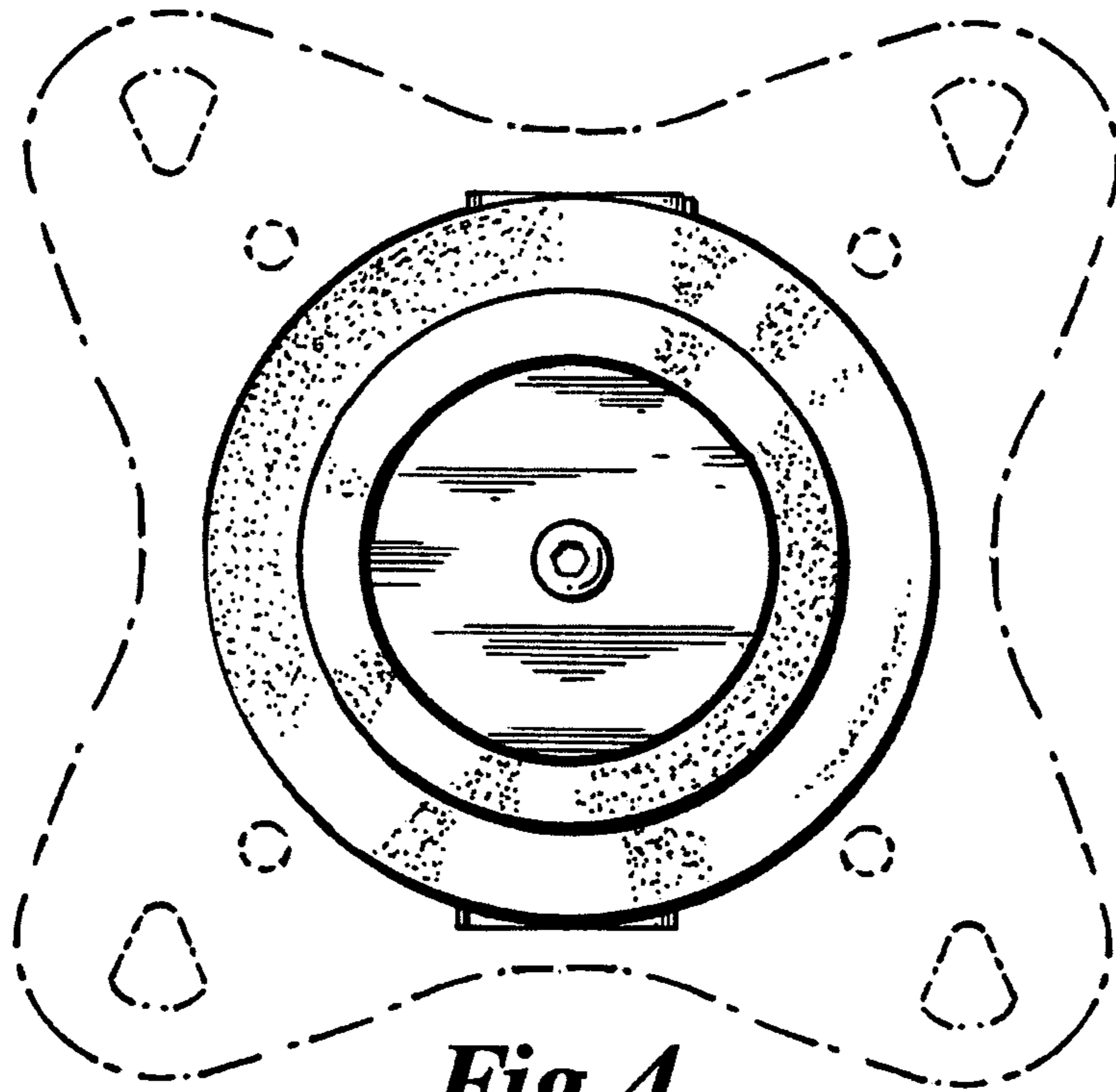
*Fig. 1.*



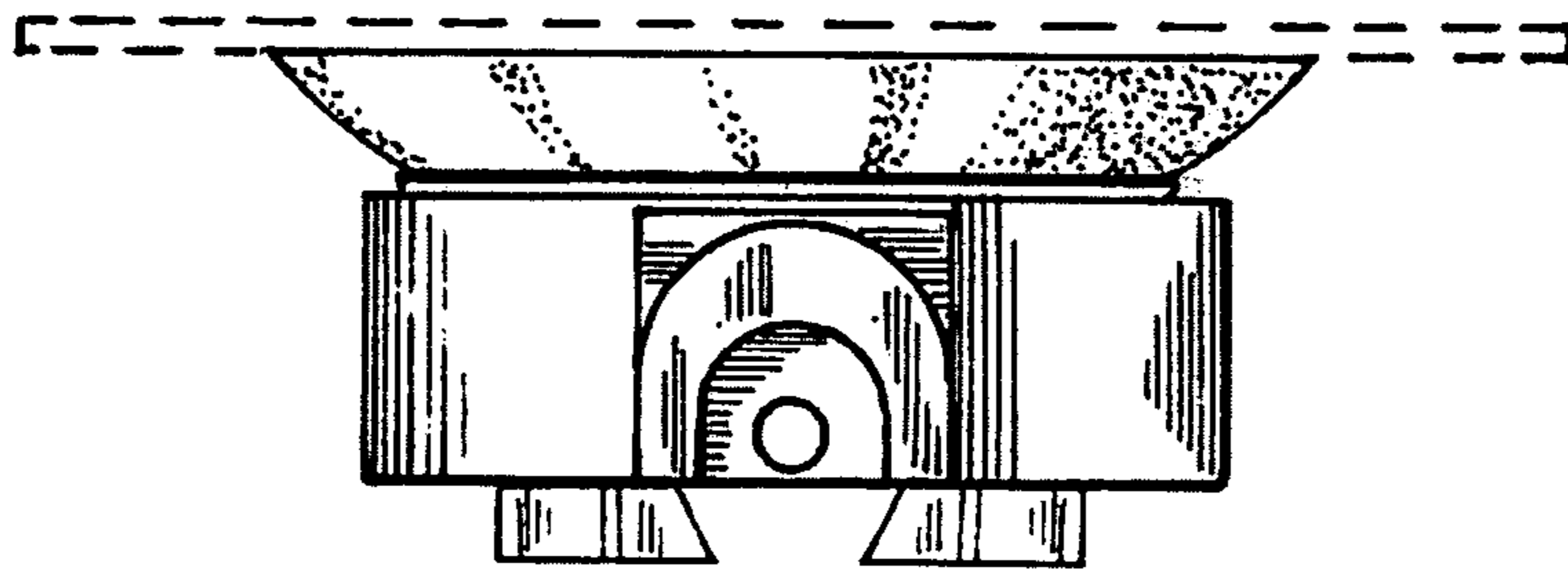
*Fig. 2.*



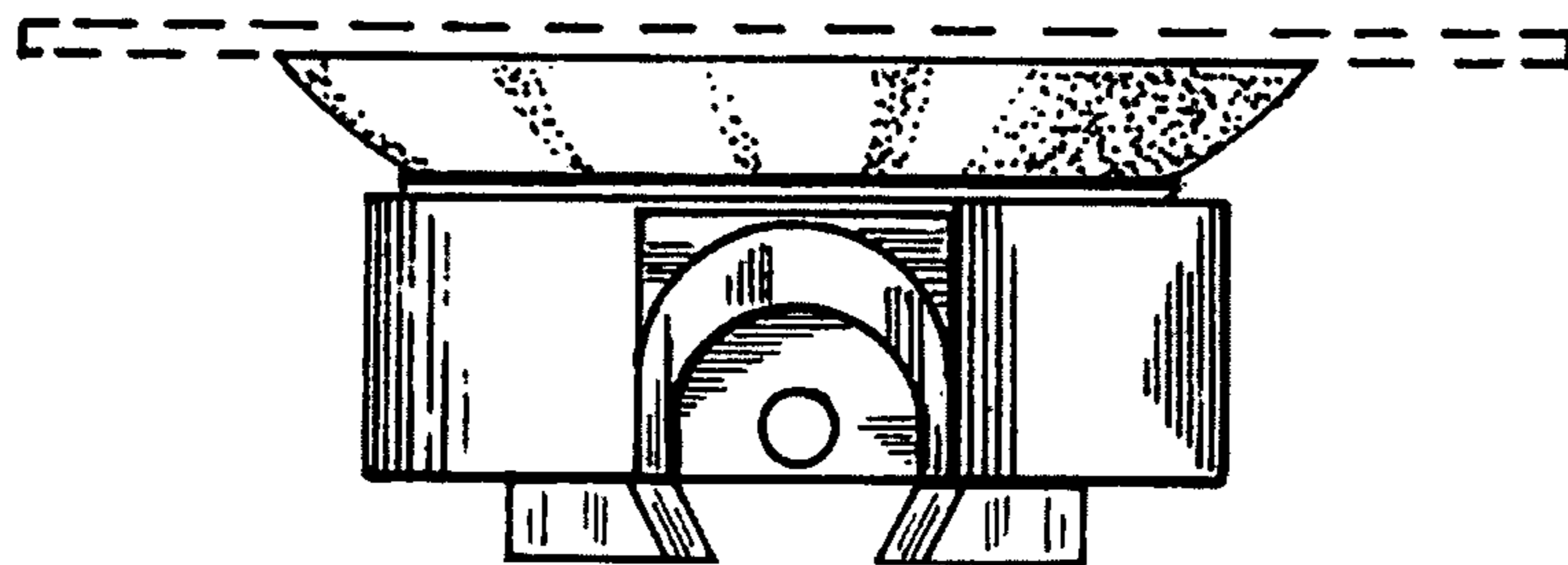
*Fig. 3.*



*Fig. 4.*



*Fig. 5.*



*Fig. 6.*

UNITED STATES PATENT AND TRADEMARK OFFICE  
**CERTIFICATE OF CORRECTION**

PATENT NO. : D559,657 S  
APPLICATION NO. : 29/265245  
DATED : January 15, 2008  
INVENTOR(S) : Wohlford et al.

Page 1 of 1

It is certified that error appears in the above-identified patent and that said Letters Patent is hereby corrected as shown below:

Title Page, Item (75) Inventors, should read

--(75) Inventors: **Jim Wohlford**, Edina, MN (US);  
**Dominic Grey**, Blaine, MN (US);  
**Nick Stanek**, Roseville, MN (US)--.

Signed and Sealed this  
Twenty-fourth Day of May, 2016



Michelle K. Lee  
*Director of the United States Patent and Trademark Office*