



US00D559656S

(12) **United States Design Patent**  
**DeCosta**

(10) **Patent No.:** **US D559,656 S**  
(45) **Date of Patent:** **\*\* Jan. 15, 2008**

(54) **CABLE PASS THROUGH PLATE WITH  
DUPLEX RECEPTACLE**

(76) Inventor: **Tom DeCosta**, 1634L Drift Rd.,  
Westport, MA (US) 02790

(\*\*) Term: **14 Years**

(21) Appl. No.: **29/273,444**

(22) Filed: **Mar. 6, 2007**

(51) **LOC (8) Cl.** ..... **11-05**

(52) **U.S. Cl.** ..... **D8/353**

(58) **Field of Classification Search** ..... D8/350-353;  
D10/108, 123, 125; D13/156, 158, 162,  
D13/169, 171, 174, 177, 184; 200/462.1;  
220/241; 174/66, 67

See application file for complete search history.

(56) **References Cited**

**U.S. PATENT DOCUMENTS**

1,400,824	A *	12/1921	Knoderer	.....	220/241
1,816,803	A *	7/1931	Flagler	.....	220/241
D202,706	S *	11/1965	Bourhenne	.....	D8/353
3,438,534	A *	4/1969	Zerwes	.....	220/241
4,293,733	A *	10/1981	Royer	.....	174/67
D270,237	S *	8/1983	Hestehave	.....	D9/742
D270,995	S *	10/1983	Meyer	.....	D8/350
4,531,800	A *	7/1985	Avener	.....	439/373
4,691,974	A *	9/1987	Pinkerton et al.	.....	439/147

D308,626	S *	6/1990	Villarreal	.....	D8/353
D309,093	S *	7/1990	Reinholt	.....	D8/353
D310,319	S *	9/1990	Brookman	.....	D8/350
5,067,907	A *	11/1991	Shotey	.....	439/135
5,722,847	A *	3/1998	Haag	.....	439/320
5,981,875	A *	11/1999	Kesler et al.	.....	174/66

\* cited by examiner

*Primary Examiner*—Stella M. Reid  
*Assistant Examiner*—Mark Goodwin

(57) **CLAIM**

The ornamental design for a cable pass through plate with duplex receptacle, as shown and described.

**DESCRIPTION**

FIG. 1 is a front perspective view of the cable pass through plate with duplex receptacle showing my new design;

FIG. 2 is a front view thereof;

FIG. 3 is a rear view thereof;

FIG. 4 is a top view thereof;

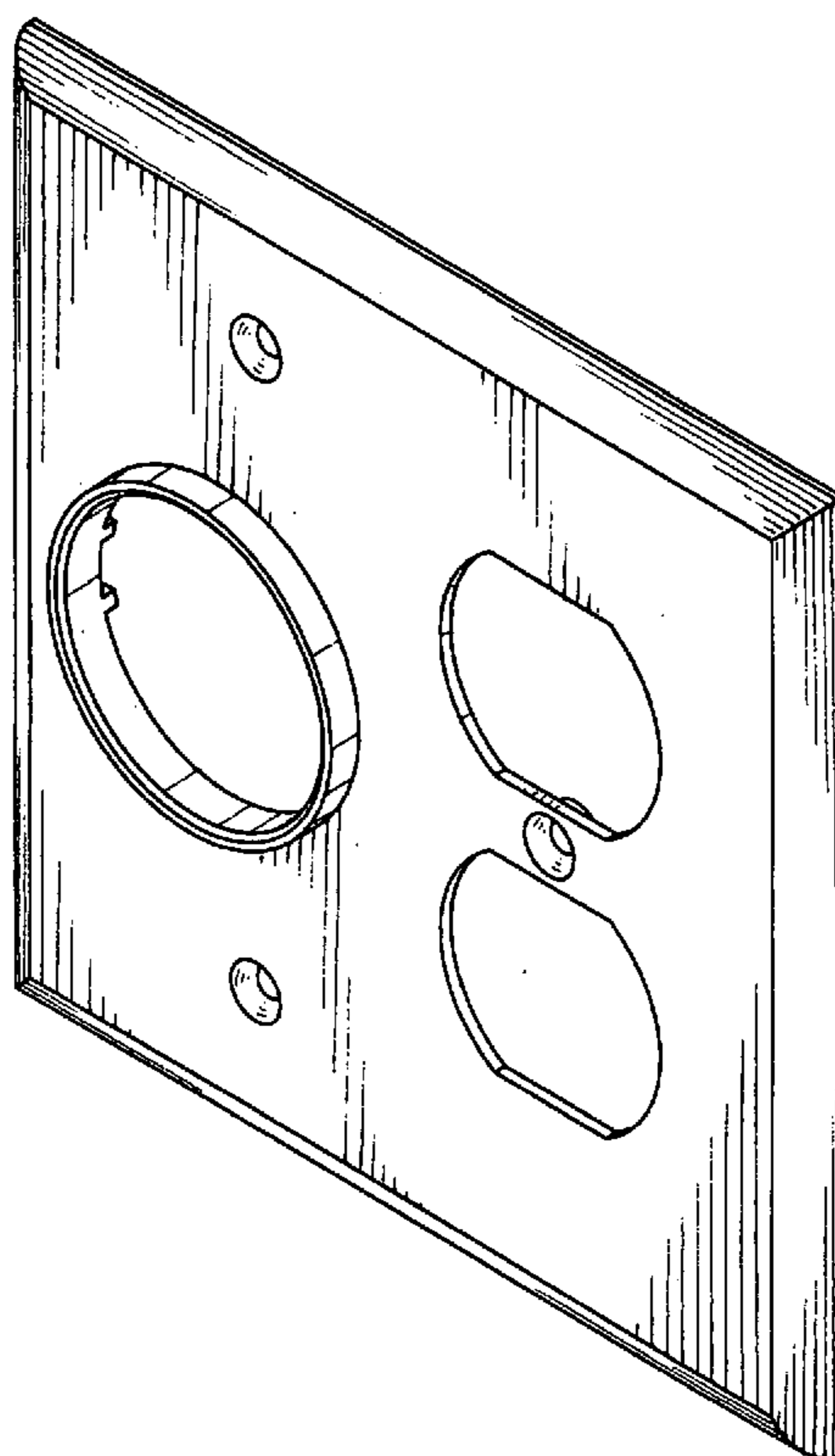
FIG. 5 is a bottom view thereof;

FIG. 6 is a right side view thereof;

FIG. 7 is a left side view thereof; and,

FIG. 8 is a rear perspective view thereof.

**1 Claim, 5 Drawing Sheets**



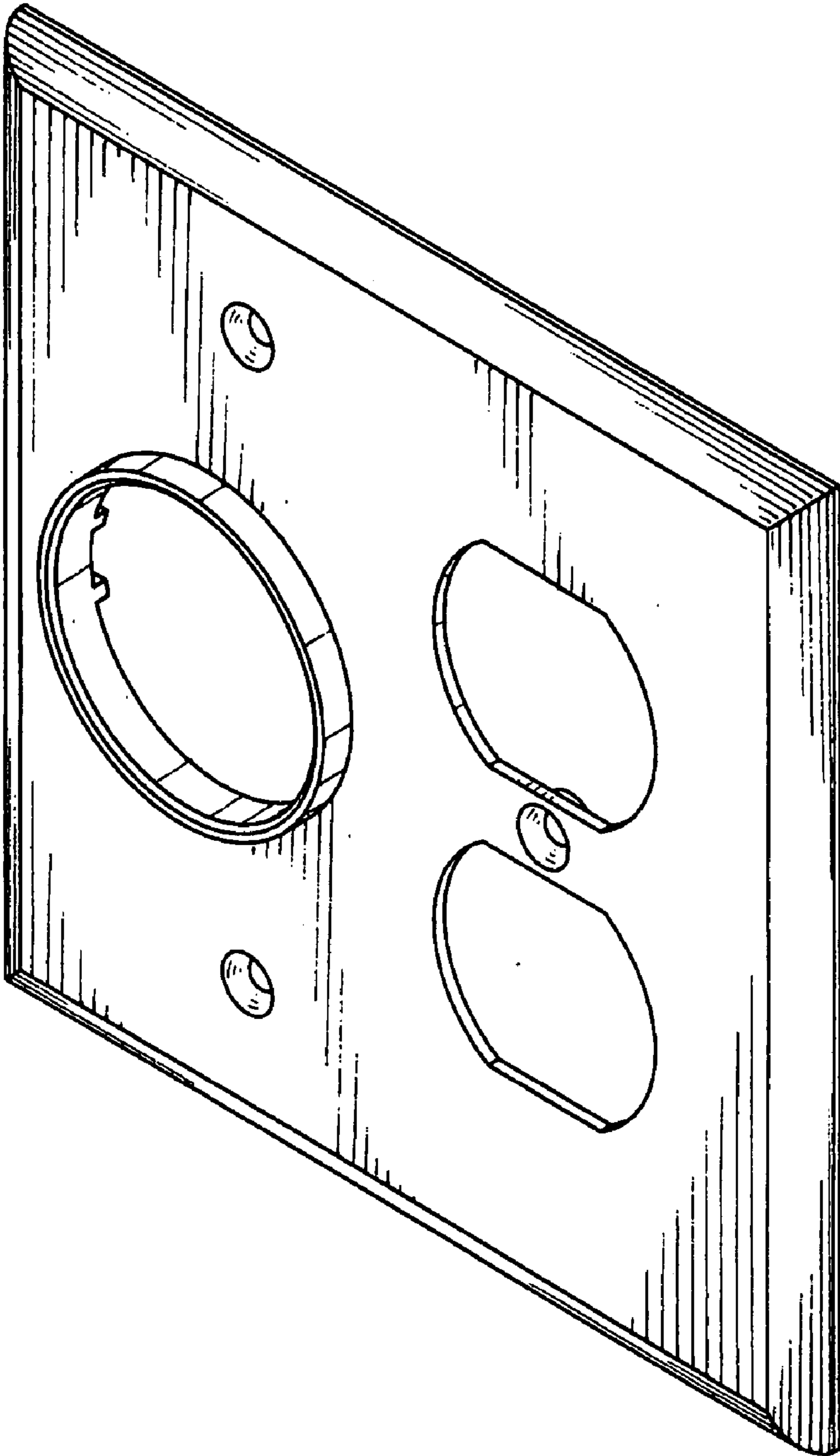


FIG. 1

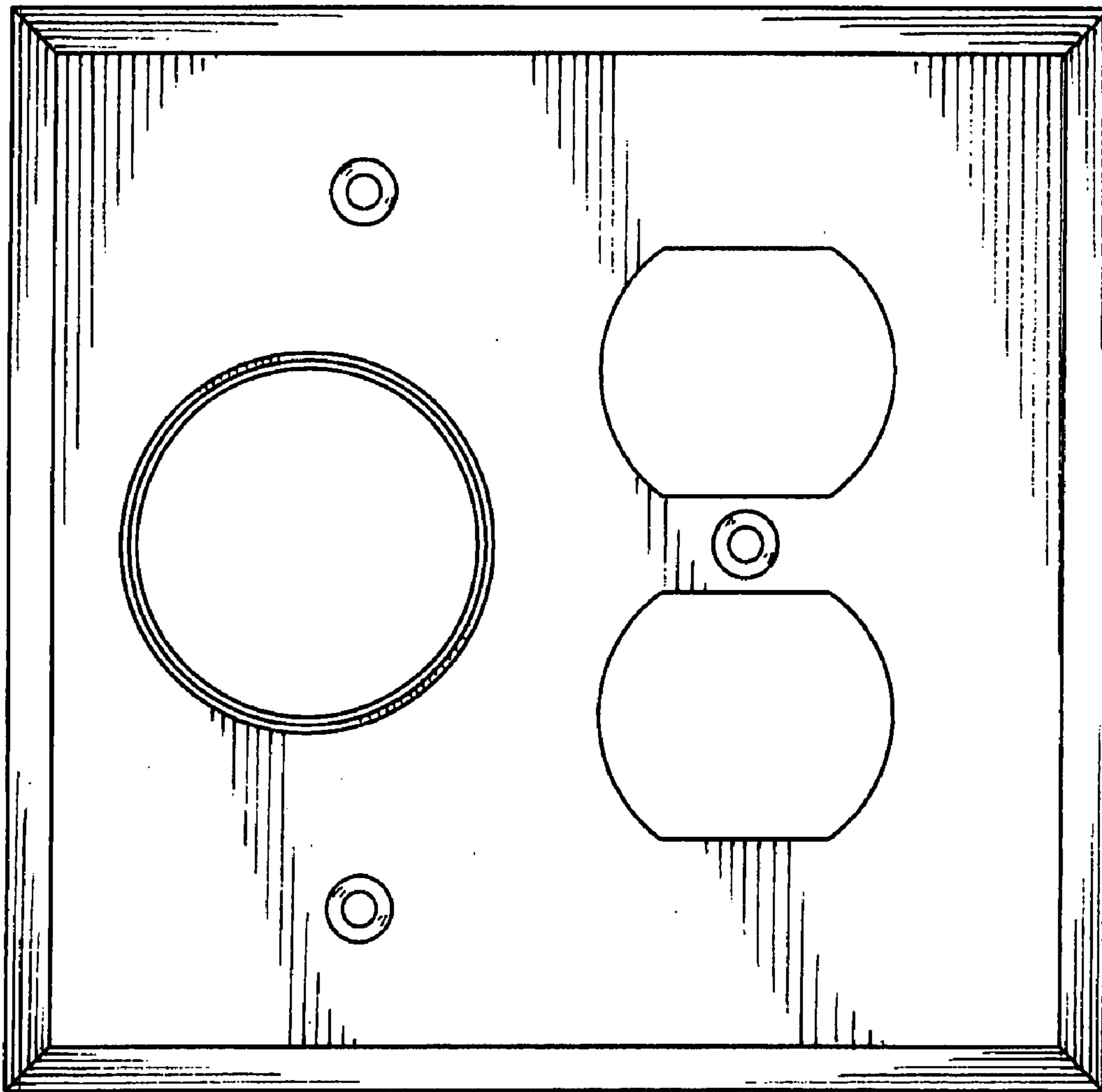


FIG. 2

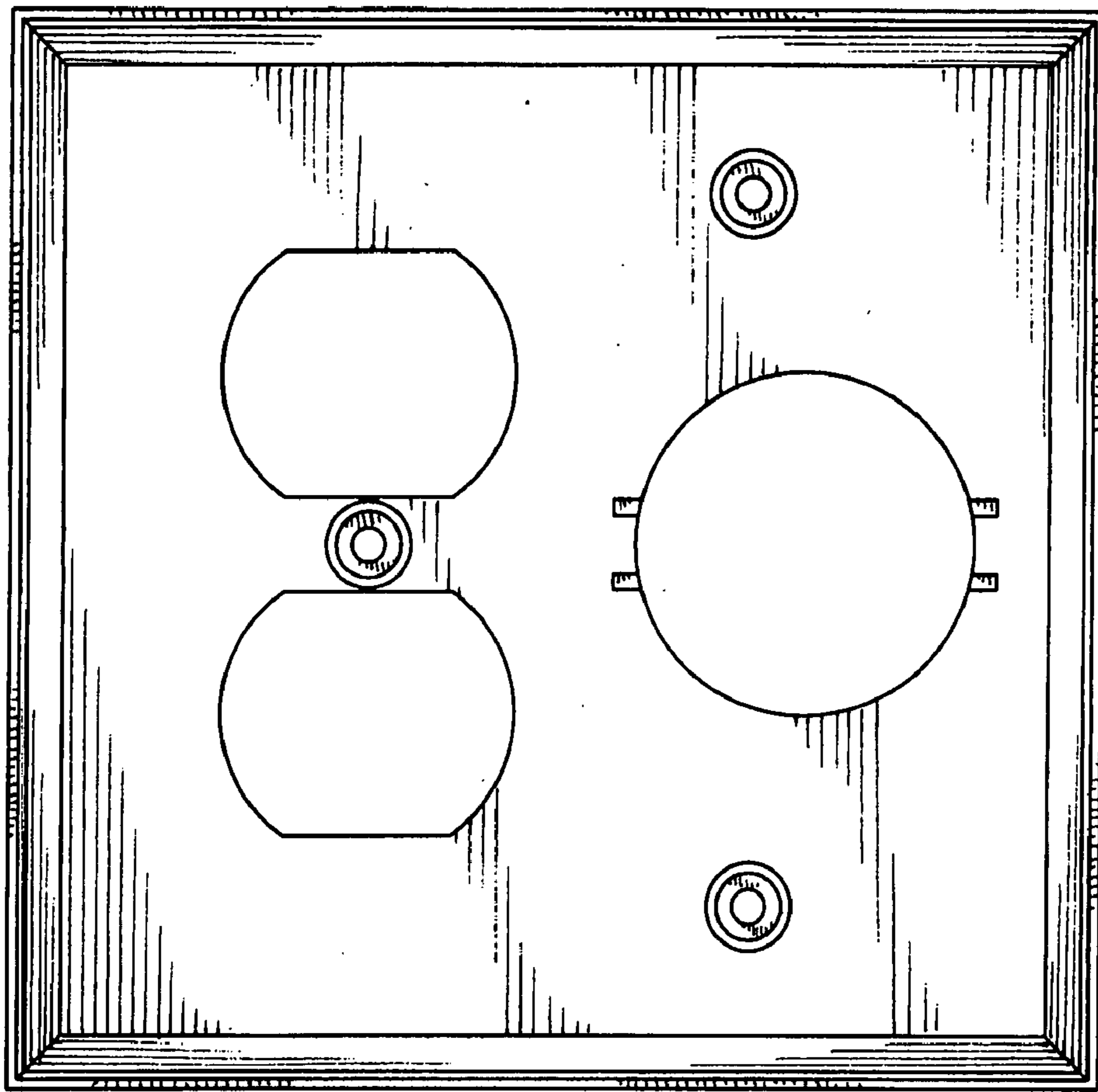


FIG. 3

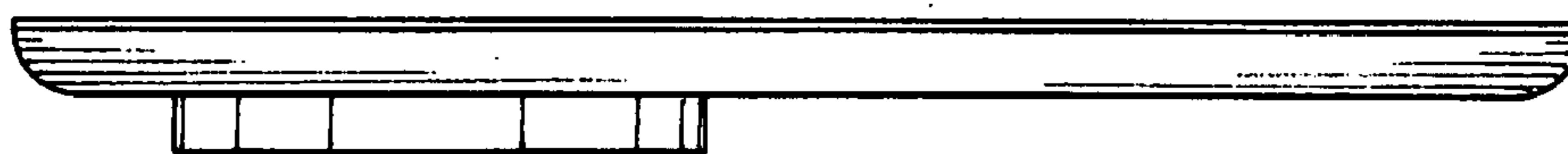


FIG. 4



FIG. 5

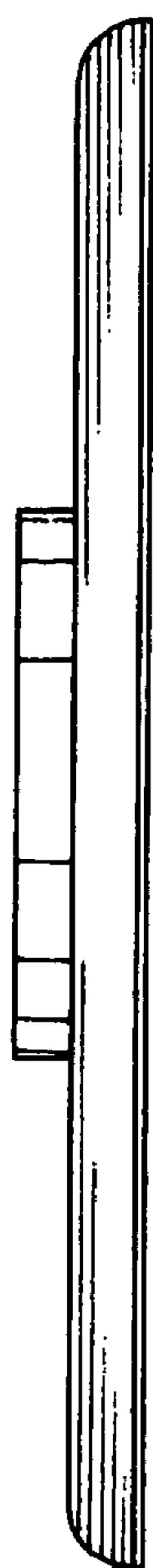


FIG. 6

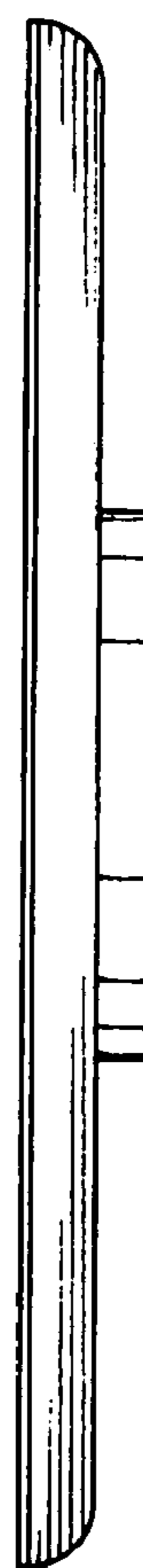


FIG. 7

