



US00D559655S

(12) **United States Design Patent**
Meckbach

(10) **Patent No.:** **US D559,655 S**

(45) **Date of Patent:** **** Jan. 15, 2008**

(54) **KEY SHANK BLANK**

(75) Inventor: **Gerhard Meckbach**, Hagen (DE)

(73) Assignee: **Abus August Bremicker Sohne KG**,
Wetter-Volmarstein (DE)

(**) Term: **14 Years**

(21) Appl. No.: **29/280,284**

(22) Filed: **May 23, 2007**

Related U.S. Application Data

(62) Division of application No. 29/243,900, filed on Dec. 1, 2005.

(51) **LOC (8) Cl.** **08-07**

(52) **U.S. Cl.** **D8/347**

(58) **Field of Classification Search** D8/330-348;
70/386, 344, 393, 395, 402-408, 347

See application file for complete search history.

(56) **References Cited**

U.S. PATENT DOCUMENTS

D349,841 S *	8/1994	Kearns	D8/347
D349,842 S *	8/1994	Kearns	D8/347
D349,843 S *	8/1994	Kearns	D8/347
D350,057 S *	8/1994	Kearns	D8/347
D350,058 S *	8/1994	Hoffman et al.	D8/347
D350,059 S *	8/1994	Hoffman et al.	D8/347
D350,060 S *	8/1994	Hoffman et al.	D8/347
D350,061 S *	8/1994	Hoffman et al.	D8/347
D350,062 S *	8/1994	Hoffman et al.	D8/347
D350,063 S *	8/1994	Kearns	D8/347
D350,276 S *	9/1994	Hoffman et al.	D8/347
D350,277 S *	9/1994	Hoffman et al.	D8/347
D350,687 S *	9/1994	Hoffman et al.	D8/347

D351,332 S *	10/1994	Hoffman et al.	D8/347
D351,782 S *	10/1994	Hoffman et al.	D8/347
D351,784 S *	10/1994	Hoffman et al.	D8/347
D352,225 S *	11/1994	Hoffman et al.	D8/347
D352,226 S *	11/1994	Hoffman et al.	D8/347
D352,227 S *	11/1994	Hoffman et al.	D8/347
D352,228 S *	11/1994	Hoffman et al.	D8/347
D352,229 S *	11/1994	Kearns	D8/347
D352,446 S *	11/1994	Hoffman et al.	D8/347
D352,447 S *	11/1994	Kearns	D8/347
D352,448 S *	11/1994	Hoffman et al.	D8/347
D362,796 S *	10/1995	Hoffman et al.	D8/347
D368,846 S *	4/1996	Myers et al.	D8/347
D378,270 S *	3/1997	Aston	D8/347
D378,346 S *	3/1997	Aston	D8/347

* cited by examiner

Primary Examiner—Mitchell Siegel

(74) *Attorney, Agent, or Firm*—Gifford, Krass, Sprinkle,
Anderson & Citkowski, P.C.

(57) **CLAIM**

The ornamental design for a key shank blank, as shown and described.

DESCRIPTION

FIG. 1 is a perspective view of a key shank blank according to the present invention;

FIG. 2 is a front view thereof;

FIG. 3 is a rear view thereof;

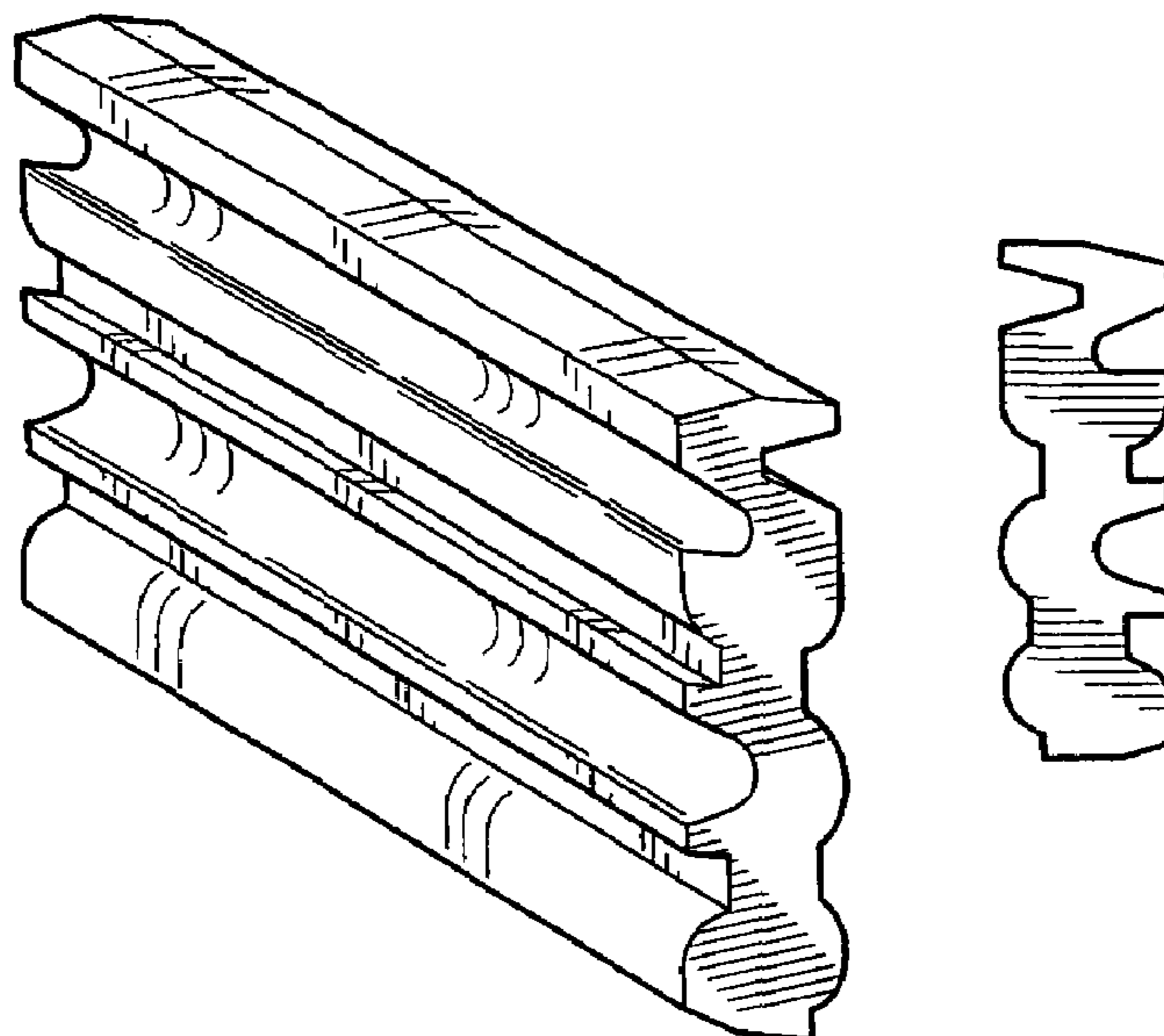
FIG. 4 is a top plan view thereof;

FIG. 5 is a bottom plan view thereof;

FIG. 6 is an end view thereof; and,

FIG. 7 is an opposite end view thereof.

1 Claim, 1 Drawing Sheet



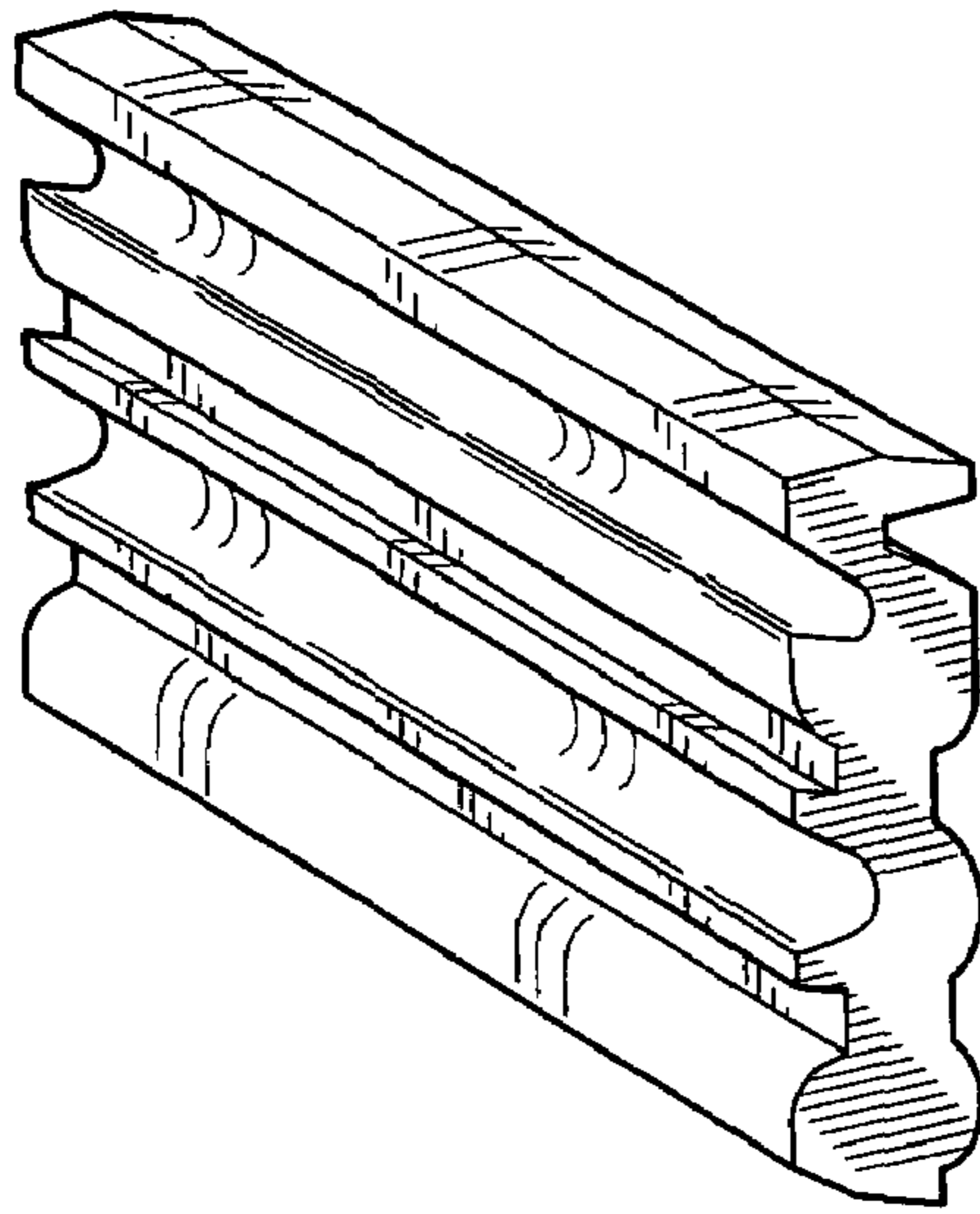


Fig-1

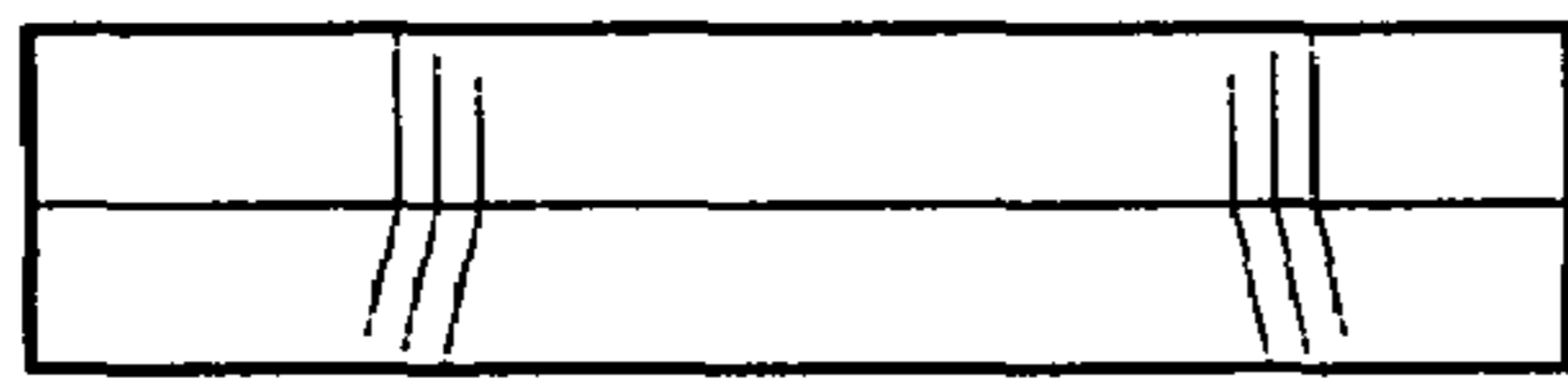


Fig-2



Fig-3

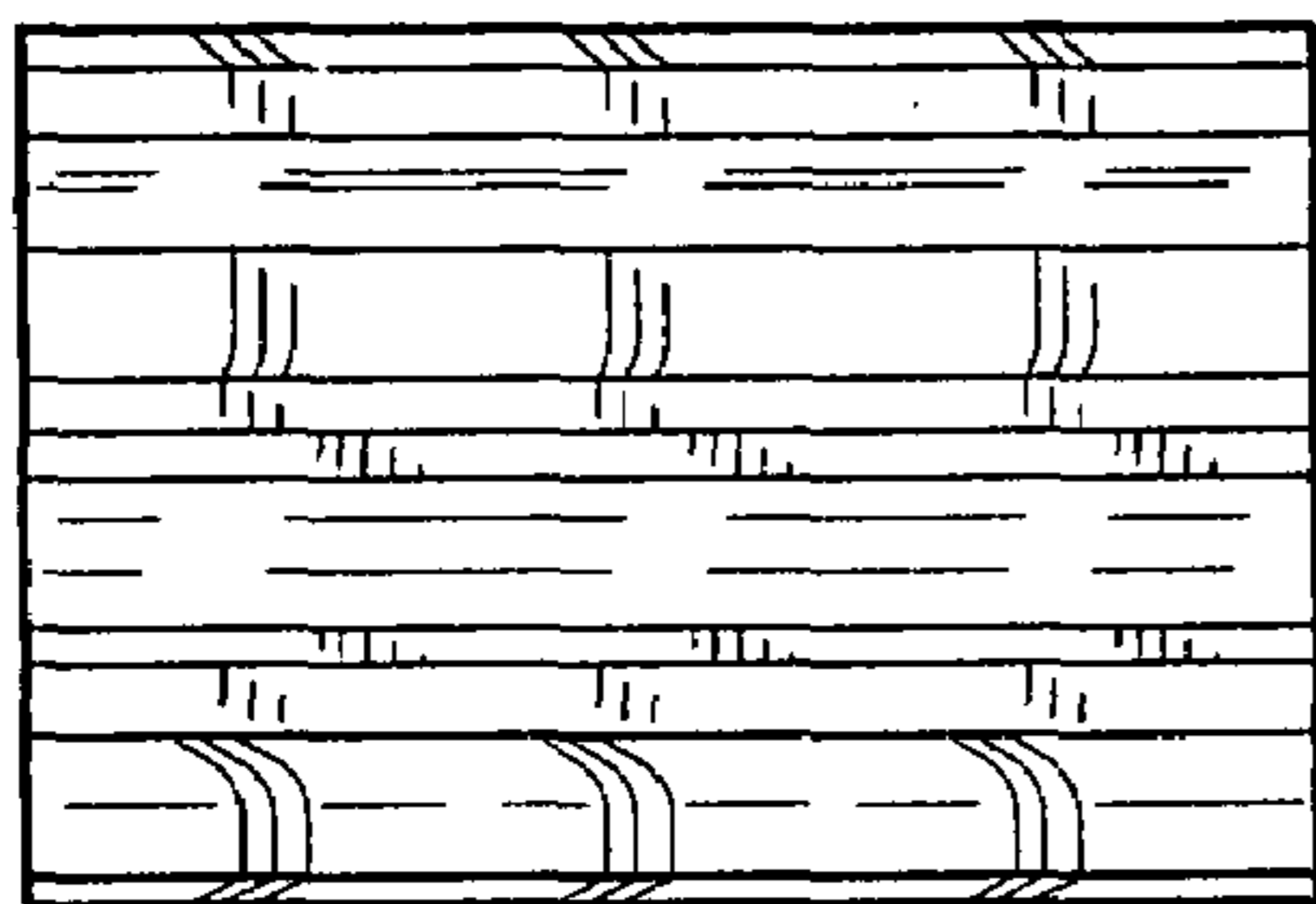


Fig-4

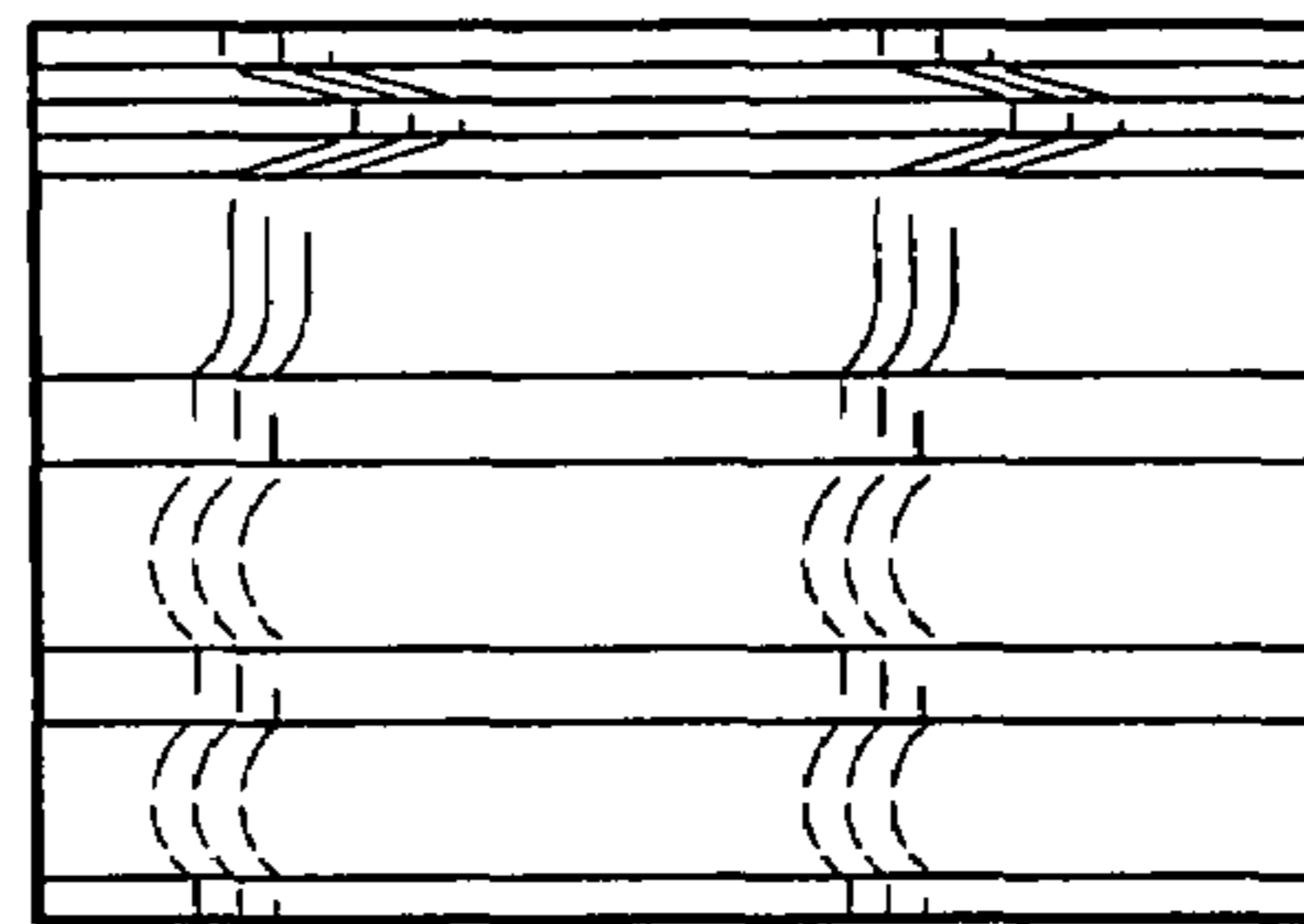


Fig-5



Fig-6



Fig-7